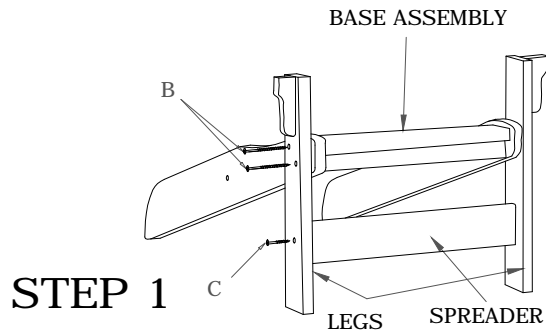


# KIDZ ADIRONDACK CHAIR

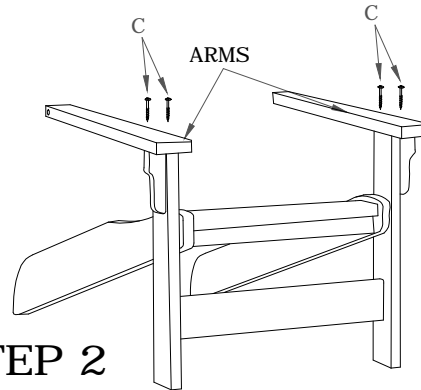
AD-0107

**BREEZESTA** tm  
Recycled Poly Furniture



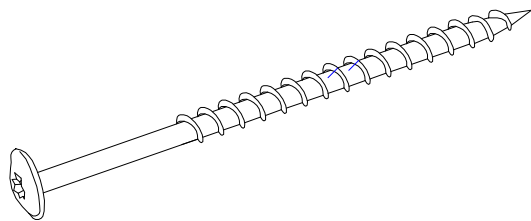
**STEP 1**

Attach Spreader to legs with screws (C) as shown. Screw Leg Assemblies to base assembly using Screws (B) as shown.

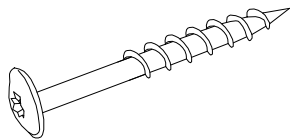


**STEP 2**

Fit arms on top of legs and attached with screws (C) through top as shown.

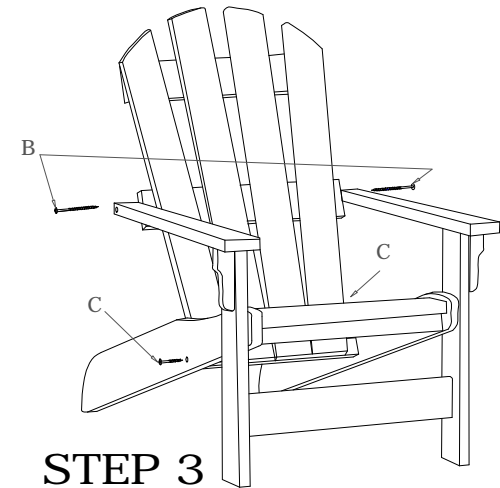


**B-3" (6 pcs.) painted**



**C-1.5" (8 pcs.) painted**

- LIST OF PARTS  
Back Assembly (1)  
Base Assembly (1)  
Leg Assemblies (2)  
Spreader (1)  
Arms (1R) (1L)  
Colored Screws "B" (6)  
Colored Screws "C" (8)  
Insert Bit Tool (1)



**STEP 3**

Screw back assembly to base assembly using 2 screws (B) on each side as shown. Attach arm to seat back using Screws (B).