

# 30" Warming Drawer

500 Series – Stainless Steel HWD5051UC



**HWD5051UC**  
Stainless Steel

The warming drawer keeps meals hot and is designed to match the perfectly flush fit of a Bosch wall, speed or steam oven.

### Features & Benefits

The warming drawer has 3 settings to keep meals hot and ready to serve.

Installs vertically under Bosch speed, steam or wall oven.

Matches Bosch built-in products. Install either flush or proud.

### General Properties

Power levels	High, low, medium
Dough proofing mode	Yes
Temperature range	100°-190° F
Timer 5 min.- 5 hours	Yes
Automatic shut off after 1 hour	Yes
Door opening	Push to Open
Hinges	Ball bearing hinges
Wattage heating element	450W
Control type	Illuminated TouchControl

### Capacity

Cavity capacity (cu. ft.)	2.2 cu. ft.
---------------------------	-------------

### Technical Details

Watts (W)	450 W
Circuit breaker (A)	15 A
Volts (V)	120 V
Frequency (Hz)	60 Hz
Power cord length (in)	84"
Plug type	120V-3 prong

### Dimensions & Weight

Overall appliance dimensions (HxWxD) (in)	9 7/16" x 29 3/4" x 23 1/2"
Required cutout size (HxWxD) (in)	9 1/4" x 28 1/2" x 23 1/2"
Net weight (lbs)	55 lbs

### Accessories—Included

Installation brackets	Installation brackets to install drawer below speed or steam oven in one cut out (identical to single wall oven cut out). Products still need to be hooked up individually.
-----------------------	---



**Accessories:** To purchase Bosch accessories, cleaners & parts please visit [www.bosch-home.com/us/store](http://www.bosch-home.com/us/store) or call 1-800-944-2904 (Mon to Fri 5 am to 6 pm PST, Sat 6 am to 3 pm PST).

**Notes:** All height, width and depth dimensions are shown in inches. BSH reserves the absolute and unrestricted right to change product materials and specifications, at any time, without notice. Consult the product's installation instructions for final dimensional data and other details prior to making cutout.

**Warranties:** Please see Use & Care manual or Bosch website for statement of limited warranty.

**For more information on our entire line of products, go to [www.bosch-home.com/us](http://www.bosch-home.com/us) or call 1-800-944-2904**

© BSH Home Appliances Corporation. All rights reserved. Bosch is a registered trademark of Robert Bosch GmbH.

# 30" Warming Drawer

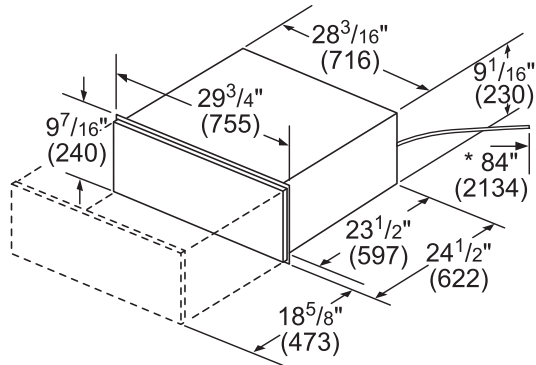
500 Series – Stainless Steel HWD5051UC



**BOSCH**  
Invented for life

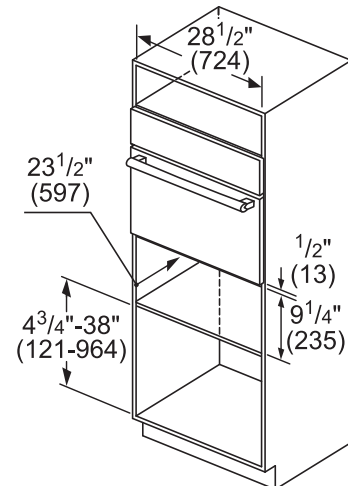
## Installation Details

Overall Product Dimensions



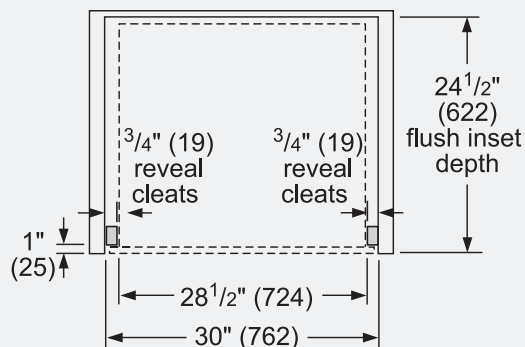
\* Power cord on warming drawer is 84" (2134 mm)

Standard Installation

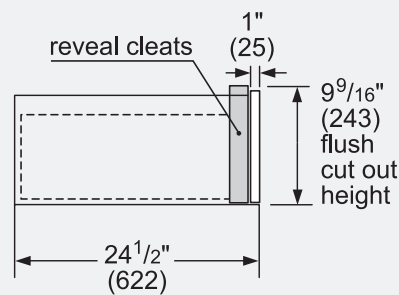


measurements in inches (mm)

Flush Install Top View



Side View



**Accessories:** To purchase Bosch accessories, cleaners & parts please visit [www.bosch-home.com/us/store](http://www.bosch-home.com/us/store) or call 1-800-944-2904 (Mon to Fri 5 am to 6 pm PST, Sat 6 am to 3 pm PST).

**Notes:** All height, width and depth dimensions are shown in inches. BSH reserves the absolute and unrestricted right to change product materials and specifications, at any time, without notice. Consult the product's installation instructions for final dimensional data and other details prior to making cutout.

**Warranties:** Please see Use & Care manual or Bosch website for statement of limited warranty.

**For more information on our entire line of products, go to [www.bosch-home.com/us](http://www.bosch-home.com/us) or call 1-800-944-2904**

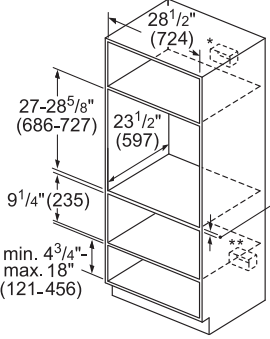
© BSH Home Appliances Corporation. All rights reserved. Bosch is a registered trademark of Robert Bosch GmbH.

# 30" Warming Drawer

500 Series – Stainless Steel HWD5051UC

## Installation Details

**Standard Installation**  
30" Single Oven over Storage or Warming Drawer



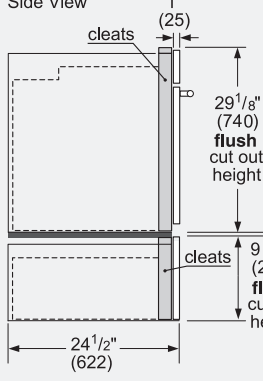
\* Wall oven junction box may be located above or right or left of the unit within reach of the power conduit.  
\*\* Electrical hook up may be located below (depending on space) or next to the drawer within the reach of the power cord.

minimum  $\frac{3}{4}$ " (18mm) required between cutouts

measurements in inches (mm)

**Flush Installation**  
Single Oven over Storage or Warming Drawer

Side View



Single Wall Oven

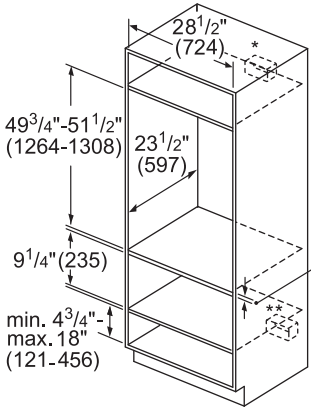
\*IMPORTANT: base has to be able to support oven weight. Please check oven manual for minimum weight requirements.

minimum  $\frac{1}{2}$ " (13) required between cutouts\*

Warming Drawer

measurements in inches (mm)

**Standard Installation**  
30" Double Oven over Storage or Warming Drawer



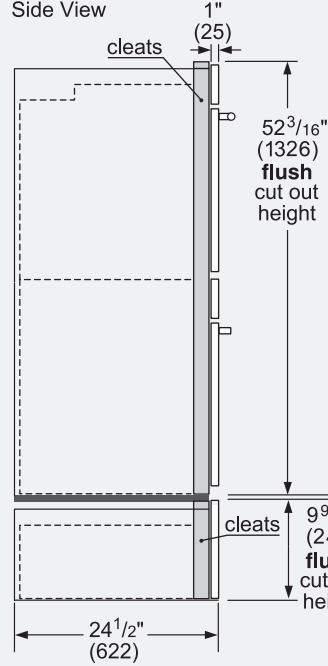
minimum  $\frac{3}{4}$ " (18mm) required between cutouts

measurements in inches (mm)

\* Wall oven junction box may be located above or right or left of the unit within reach of the power conduit.  
\*\* Electrical hook up may be located below (depending on space) or next to the drawer within the reach of the power cord.

**Flush Installation**  
Double Oven over Storage or Warming Drawer

Side View



Double Wall Oven

\*IMPORTANT: base has to be able to support oven weight. Please check oven manual for minimum weight requirements.

minimum  $\frac{1}{2}$ " (13) required between cutouts\*

Warming Drawer

measurements in inches (mm)

**Accessories:** To purchase Bosch accessories, cleaners & parts please visit [www.bosch-home.com/us/store](http://www.bosch-home.com/us/store) or call 1-800-944-2904 (Mon to Fri 5 am to 6 pm PST, Sat 6 am to 3 pm PST).

**Notes:** All height, width and depth dimensions are shown in inches. BSH reserves the absolute and unrestricted right to change product materials and specifications, at any time, without notice. Consult the product's installation instructions for final dimensional data and other details prior to making cutout.

**Warranties:** Please see Use & Care manual or Bosch website for statement of limited warranty.

**For more information on our entire line of products, go to [www.bosch-home.com/us](http://www.bosch-home.com/us) or call 1-800-944-2904**

© BSH Home Appliances Corporation. All rights reserved. Bosch is a registered trademark of Robert Bosch GmbH.

# 30" Warming Drawer

500 Series – Stainless Steel HWD5051UC



**BOSCH**  
Invented for life

## Installation Details

**Standard Installation**  
Steam or Speed Oven Over Drawer

\* For installation into a wall cabinet, the receptacle may be installed above, below, or to the left or right of the unit within range of the power cord.

**Flush Installation**  
Steam or Speed Oven Over Drawer

Side View

Measurements in inches (mm)

**Standard Installation**  
Combination Oven over Storage or Warming Drawer

minimum  $\frac{3}{4}$ " (18mm) required between cutouts

measurements in inches (mm)

\* Wall oven junction box may be located above or right or left of the unit within reach of the power conduit.

\*\*Electrical hook up may be located below (depending on space) or next to the drawer within the reach of the power cord.

**Flush Installation**  
Combination Oven over Storage or Warming Drawer

Side View

Combination Wall Oven

49  $\frac{1}{8}$ " (1248) flush cut out height

\* IMPORTANT: base has to be able to support oven weight. Please check oven manual for minimum weight requirements.

minimum  $\frac{1}{2}$ " (13) required between cutouts\*

Warming Drawer

9  $\frac{9}{16}$ " (243) flush cut out height

measurements in inches (mm)

**Accessories:** To purchase Bosch accessories, cleaners & parts please visit [www.bosch-home.com/us/store](http://www.bosch-home.com/us/store) or call 1-800-944-2904 (Mon to Fri 5 am to 6 pm PST, Sat 6 am to 3 pm PST).

**Notes:** All height, width and depth dimensions are shown in inches. BSH reserves the absolute and unrestricted right to change product materials and specifications, at any time, without notice. Consult the product's installation instructions for final dimensional data and other details prior to making cutout.

**Warranties:** Please see Use & Care manual or Bosch website for statement of limited warranty.

**For more information on our entire line of products, go to [www.bosch-home.com/us](http://www.bosch-home.com/us) or call 1-800-944-2904**

© BSH Home Appliances Corporation. All rights reserved. Bosch is a registered trademark of Robert Bosch GmbH.