

KG48X

48" WALL MOUNT - GLASS FRONT HOOD



Complete your Bertazzoni kitchen with this modern and powerful range hood.

Choose among 3 extraction airflow speed with booster function, reaching a maximum flow performance of 600 CFM (cubic feet per minute).

Reduce airflow down to 300 CFMs with the digital flow-through restrictor.

Easily control all the hood functions with ease using the touch-through-glass user interface.

Enjoy powerful illumination of the cooking surface with the long lasting and bright LED lights which also don't create additional heat and are energy efficient.

Filter out odors and grease with the stainless steel mesh filters which can be easily cleaned periodically in the dishwasher or by hand.

This hood includes a telescopic duct cover reaching up to 9' high ceilings. Use the optional extension 901562 for taller ceilings.

The hood comes standard for venting outside the kitchen, but can be easily modified for recirculation by installing the optional charcoal filter kit.

Designed with pride by Bertazzoni in Italy.

Industry leading 2 years parts and labor warranty.

PRODUCT FEATURES

Size	48"
Hood type	Wall mount
Hood finish	Black glass + stainless steel frame
Motor	1
Speed	3 + Booster
Hood control	Touch
Lights	2 LED
Filters type	Stainless steel mesh
Extraction power	600 CFM
Sound Level (min)	42 db(A)
Recirculation	Yes
Duct cover	Included
Duct size	6" diameter

TECHNICAL SPECIFICATIONS

Electrical supply	120 V 60 HZ - 422.2 W 3.5 Amp
Power connection	Hardwired
Certification	UL
Warranty	2 years parts & labor
Packaging dimensions and weight	W 49 13/16" H 23 29/32" D 20" 59.52 lbs

OPTIONAL ACCESSORIES

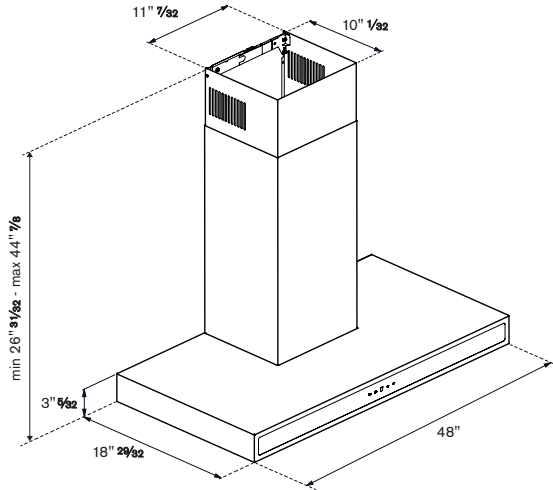
901486	Charcoal filters
901562	Duct Cover Installation up to 10'
901271	Recirculation Kit

KG48X

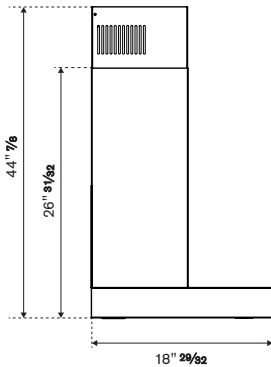
48" WALL MOUNT - GLASS FRONT HOOD



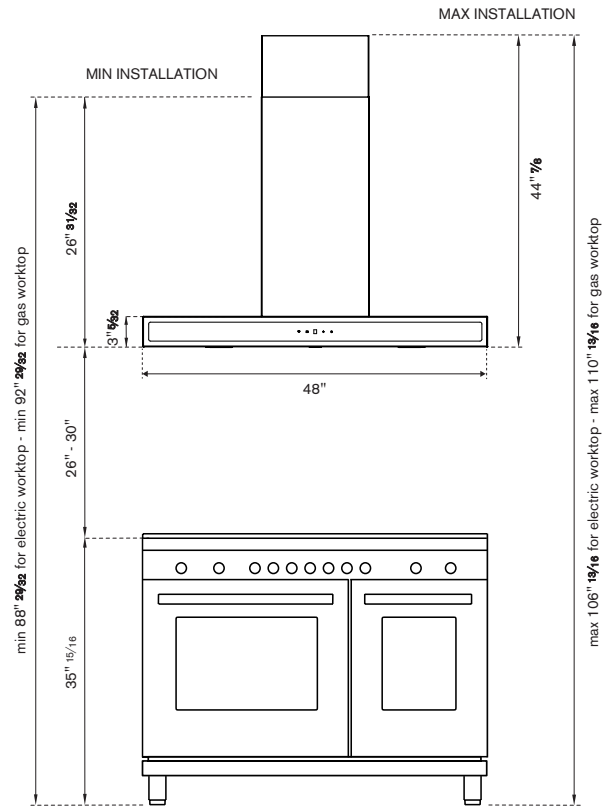
PRODUCT DIMENSIONS



SIDE VIEW



PRODUCT INSTALLATION



Hood Clearance

Recommended height above cooking surface:
 min 26" for electric worktop
 min 30" for gas worktop

ELECTRICAL CONNECTION

The installation must be done through the use of a Junction Box.

Before making electrical connections to power supply, the electrical box must be secured in place as indicated

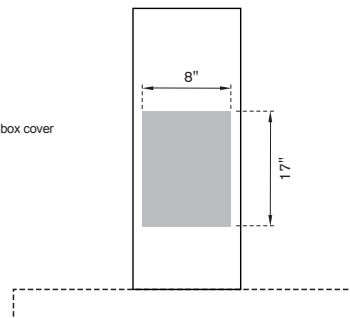
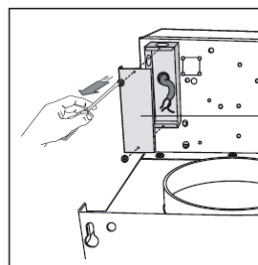
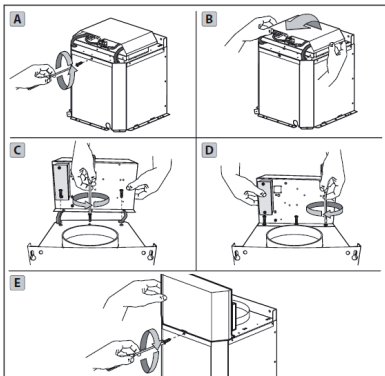
Power Supply Connection

For connection to the power supply refer to the follows:

BLACK = L line

WHITE = N neutral

GREEN/YELLOW = G ground



If the power cord to connect the hood to the main power comes from the wall in the grey area (8"x17"), it must have a minimum length of 20" to be connected to the Junction Box.