



BM484710
400 series speed microwave oven
Stainless steel-backed full glass door
Width 30" (76 cm)
Right-hinged
Controls at the bottom

Handleless door / automatic door opening
Single operation and combination of microwave, grill and oven
Sequential operation of up to 5 modes incl. programming of combined operation and rest time
TFT touch display
Centralized controls for easy use and intuitive operation
Net volume 1.3 cu. ft.

Programs

Microwave operation with 5 output levels: 1000, 600, 360, 180, 90 W.
Oven operation with 4 heating modes: Convection 100 °F (40 °C) and from 210 °F to 480 °F (100 °C to 250 °C), Broil + convection from 210 °F to 480 °F (100 °C to 250 °C), Broil + circulated air from 210 °F to 480 °F (100 °C to 250 °C), Broil with 3 levels of intensity, maximum output 2000 W.
Heating modes with microwave output levels 600, 360, 180 and 90 W freely combinable.
15 automatic programs with weight indication, customizable:
4 defrosting programs
4 cooking programs
7 combination programs
Option to save individual recipes.
Sabbath mode with constant temperature of 185 °F (85 °C).

Operation

Automatic door opening.
Rotary knobs and TFT touch display operation.
Clear text display in 25 languages.
Information key with use indicators.
Side-opening door opens up to 180° angle.

Features

Innowave - variable power settings.
Super-Quick preheating.
Four rack levels.
Actual temperature display.
60 W halogen light on the side.

Safety

Thermally insulated door with triple glazing.
Triple door lock.
Child lock.
Safety lock.
Cooled door housing with temperature protection.

Cleaning

Hygienic stainless steel interior with glass ceramic base.
Interior back wall with catalytic coating.

Planning notes

Door hinge not reversible.
The front of the appliance 1 7/8" extends from the cabinet front.
If the handle (optional accessory) is installed, the outer edge of the door handle extends 3 11/16" (94 mm) from the cabinet front.
Consider the overhang, incl. the door handle where applicable, when planning to open drawers next to the appliance. Plan a gap of at least 3/16" between the appliance and adjacent cabinets.
When planning a corner solution, pay attention to the 110° door opening angle.

Product Features

Max. Microwave power (W)
1000
Number of Power Levels
5
Turntable
No
Turntable diameter (in)
Heating type
Combi microwave constant, Full width variable broil, Hot Air, Hot air broiling, Microwave
Cavity material
Stainless steel
Door opening
Button
Clock / Timer
Yes
Max. extraction rate (CFM)
Maximum output recirculating air
Ventilation Power Levels
Type of Filter
Type of lights
Number of lights
1
Included accessories
1 x combination grid, 1 x glass tub

Consumption and connection features

UPC code
825225910961
Product color
Stainless steel
Alternative colors available
Watts (W)
3100
Current (A)
2*20
Volts (V)
240/208
Frequency (Hz)
60
Approval certificates
CUL, UL
Power Cord Length
59 1/16 "
Plug type
fixed connection, no plug
Required cutout size (HxWxD) (in)
17 11/16 " x 28 1/2 " x 21 5/8 "
Overall appliance dimensions (HxWxD) (in)
17 15/16 " x 29 5/8 " x 22 15/16 "
Product packaging dimensions (HxWxD) (in)
22.44 x 26.37 x 33.46
Net weight (lbs)
99
Gross weight (lbs)
111
2017-09-16
Page 1

The electrical outlet needs to be planned outside the cut-out niche.

Rating

Total connected load 3.1 kW.
Total Amps: 2*20 A.
240 / 208 V / 60 Hz
Connection cable 59 1/16 " without plug (hardwire required).

Color Variants

BM484710
Stainless steel-backed full glass door
Width 30" (76 cm)

Included accessories

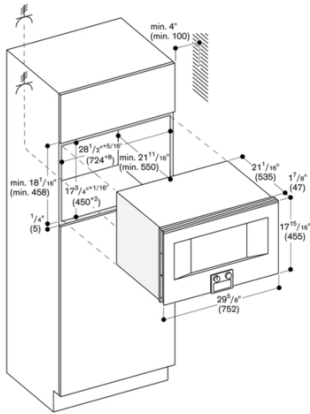
1 x combination grid.
1 x glass tub.

Installation Accessories

BA478310
Handle bar, stainless steel

BM484710
 400 series speed microwave oven
 Stainless steel-backed full glass door
 Width 30" (76 cm)
 Right-hinged
 Controls at the bottom

2017-09-16
 Page 2



Side view of BM 484/485 above BO

