

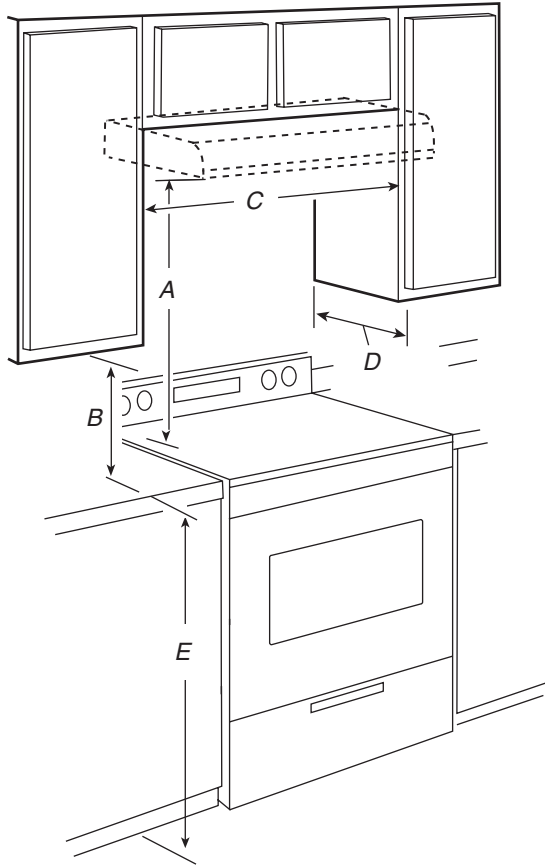
Range Hood - 30" (76.2 cm) and 36" (91.4 cm)

PRODUCT MODEL NUMBERS

UXT4230AD UXT4236AD

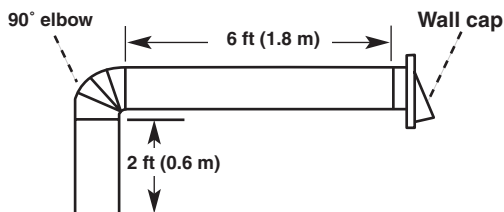
Electrical: A 120 volt, 60 Hz., AC only, 15-amp, fused electrical circuit is required.

CABINET OPENING DIMENSIONS



- A. 18" (45.7 cm) minimum distance from electric cooking surface.
24" (61.0 cm) minimum distance from gas cooking surface.
30" (76.2 cm) suggested maximum above the cooking surface.
- B. 18" (45.7 cm) minimum clearance - upper cabinet to countertop.
- C. 30" (76.2 cm) minimum cabinet opening width for 30" (76.2 cm) models and 36" (91.4 cm) minimum cabinet width for 36" (91.4 cm) models.
- D. 12" (30.5 cm) cabinet depth.
- E. 36" (91.4 cm) base cabinet height.

Example vent system

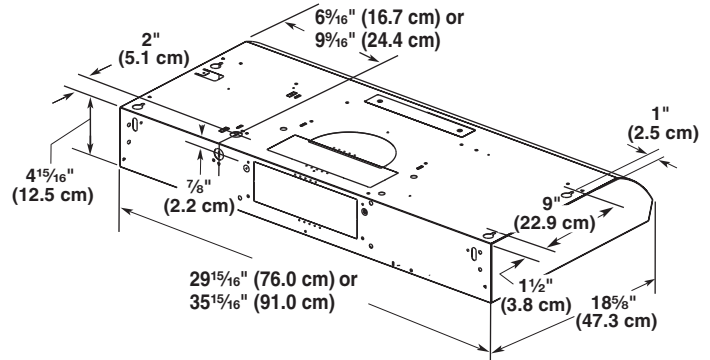


| | |
|-----------------------|--------------------------|
| 1 - 90° elbow | = 5.0 ft (1.5 m) |
| 1 - wall cap | = 0.0 ft (0.0 m) |
| 8 ft (2.4 m) straight | = 8.0 ft (2.4 m) |
| System length | = 13.0 ft (3.9 m) |

Maximum Recommended Length

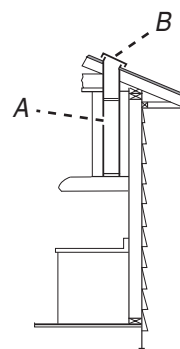
| | |
|---|------------------|
| 7" (17.8 cm) Round Vent | = 50 ft (15.2 m) |
| 3 1/4" x 10" (8.3 x 25.4 cm) Rectangular Vent | = 35 ft (10.7 m) |

OVERALL DIMENSIONS



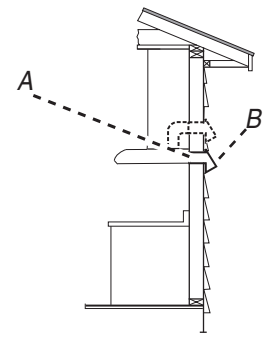
VENTING REQUIREMENTS

Top Venting



- A. 7" (17.8 cm) round vent through roof (purchased separately).
3 1/4" x 10" (8.3 x 25.4 cm) rectangular vent through the roof (purchased separately).
- B. Roof cap with damper (purchased separately)

Wall Venting



- A. 7" (17.8 cm) round vent out the top and through the wall (purchased separately).
3 1/4" x 10" (8.3 x 25.4 cm) rectangular vent through the wall or out the top (purchased separately).
- B. Wall cap with damper (purchased separately)

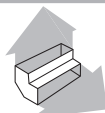
Calculating Vent System Length

To calculate the length of the system you need, add the equivalent feet (meters) for each vent piece used in the system.

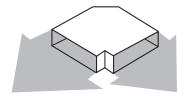
Vent System

Vent Piece

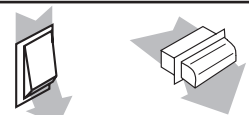
| | |
|-----------|----------------|
| 90° elbow | 5.0 ft (1.5 m) |
|-----------|----------------|



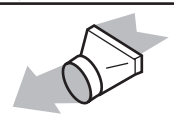
| | |
|--|-----------------|
| 3 1/4" x 10" (8.3 cm x 25.4 cm) flat elbow | 12.0 ft (3.7 m) |
|--|-----------------|



| | |
|-----------------------|----------------|
| 7" (17.8 cm) wall cap | 0.0 ft (0.0 m) |
|-----------------------|----------------|



| | |
|---|----------------|
| 3 1/4" x 10" (8.3 cm x 25.4 cm) to 7" (17.8 cm) | 4.5 ft (1.4 m) |
|---|----------------|



| | |
|---|----------------|
| 3 1/4" x 10" (8.3 cm x 25.4 cm) to 7" (17.8 cm) 90° elbow | 5.0 ft (1.5 m) |
|---|----------------|

