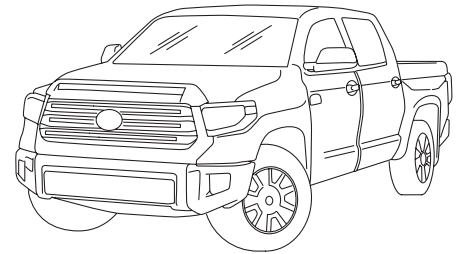


# Toyota Tundra

## PSU-300TND Sound System Upgrade

### Installation Manual



- Model: Tundra
- Model Year: 2014 – UP

\*Not compatible with factory JBL® amplified systems

Toyota	Model	Year
	Tundra	2014 – UP

\* The specified vehicles have been tested and have met compatibility specs at the time of testing. Compatibility is not guaranteed if the manufacturer has made production changes to the listed vehicles above.

**⚠ Warning: Before you begin, remove the ground wire from the NEGATIVE (-) terminal of the battery. Failing to do so can lead to electric shock, injury or damage to equipment.**

### Introduction

- Congratulations on purchasing the PSU-300TND. This installation manual is designed to take you through the step-by-step installation of the PSU-300TND into a 2014 – UP Toyota Tundra. Please familiarize yourself with the owner’s manual and if you still have additional questions please call 1-800-TECH-101.



### Note

- Design and specifications are subject to change without notice for improvement.





### To Ensure Safe Use, Always Follow These Precautions

- The installation of this product requires specialized skills and experience. We recommend that you have the product installed by an Alpine authorized dealer.
- Before you use this product, be sure to carefully read this installation manual and the separate user’s manual so that you can use the product correctly. Alpine Electronics bears no responsibility for problems that arise as a result of failure to follow the instructions in the manuals.
- This manual includes a number of symbols that are intended to help you use the product safely, to prevent harm to you and others, and to protect against damage to property. These symbols and their meanings are listed below. Make sure you fully understand these symbols before you begin reading the main text.


### Explanations of Injury and Damage That May Result from Incorrect Use

 <b>Warning</b>	Ignoring the content marked by this indication and using the product incorrectly may lead to death or serious injury.
 <b>Caution</b>	Ignoring the content marked by this indication and using the product incorrectly may lead to injury or property damage.


**Types of Precautions**

 Forbidden	Indicates actions that are forbidden (must not be performed)
 Forbidden	Indicates that disassembly is forbidden.
 Mandatory	Indicates actions that are mandatory (must be performed)
	Marks content that should receive your full attention.


 **Warning**

**Do not disassemble or modify the product. Doing so could lead to an accident, fire, or electric shock.**  Forbidden


**Store screws and other small objects where small children cannot reach them. If one of these small objects is swallowed, consult with a doctor immediately.** 

**When replacing fuses, be sure to use fuses with the specified current rating. Failing to do so could lead to an accident or fire.**   Forbidden Mandatory


**Only connect the product to a 12 VDC negative ground car. Failing to do so could lead to an accident or fire.**  Mandatory


**Before you begin wiring, remove the ground wire from the negative terminal of the battery. Failing to do so could lead to electric shock or injury.** 


**Do not cut the insulation on a cord and take power from another device. Doing so could lead to fire or electric shock.**  Forbidden

**Do not install the product in a location where it will obstruct the driver's forward view; interfere with the operation of the steering wheel, gearshift, or the like; or pose a threat to passengers. Doing so could lead to an accident or injury.**  Forbidden

**When making a hole in the vehicle body, be careful to avoid damaging pipes, the fuel tank, electrical wiring, and the like. This kind of damage could lead to an accident or fire.** 

**When installing and grounding the product, do not use any of the bolts or nuts of the steering wheel, brakes, fuel tank, or the like. Doing so could make the brakes stop working or lead to fire.**  Forbidden

**Do not install the product near the passenger-side airbag. Doing so could interfere with the operation of the airbag and lead to an accident or injury.**  Forbidden

**Bundle cords so that they don't interfere with driving. Wrapping cords around the steering wheel, gearshift, brake pedal, or the like, could lead to an accident or damage equipment.** 

 **Caution**

**Connect the product properly according to the instructions. Failing to do so could lead to fire or an accident.**  Forbidden

**Do not sandwich cords between the seat railing or allow them to touch protrusions. Resulting breaks or shorts could lead to electric shock or fire.** 


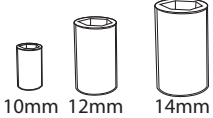
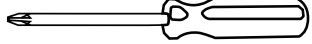
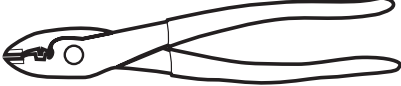
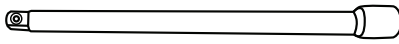
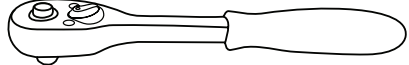
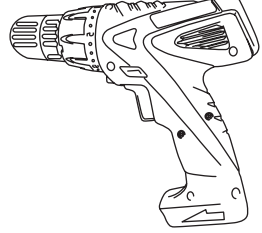
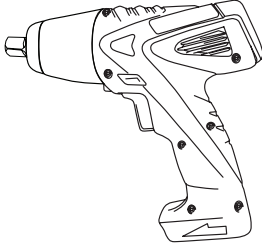
**Do not block vents or heat sinks. Doing so could lead to fire or damage equipment.** 

**Use the accessories according to the instructions, and attach them securely. Failing to do so could lead to an accident or damage equipment.**  Forbidden

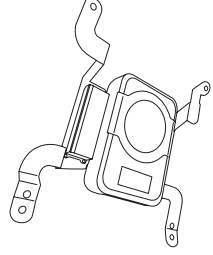
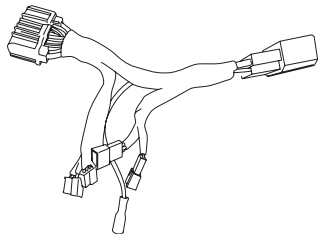
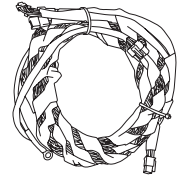
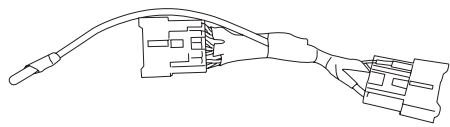

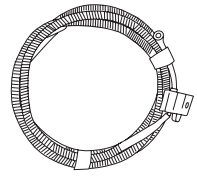
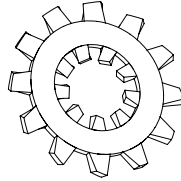
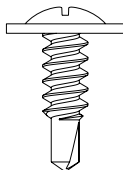

**Do not install the product where it may be exposed to water or in a place with high levels of humidity or dust. Doing so could lead to fire or damage equipment.**  Forbidden

**The installation and wiring of this product requires specialized skills and experience. Have the product installed by an Alpine authorized dealer.** 

**Tools Required**

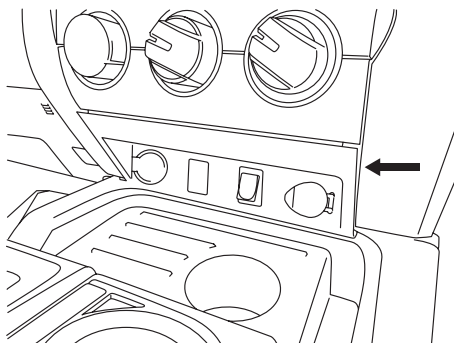
<p><b>Panel Removal Tool</b></p> 	<p><b>Sockets</b></p>  <p>10mm 12mm 14mm</p>	<p><b>Phillips Screwdriver</b></p> 
<p><b>Wire Cutters</b></p> 	<p><b>Extension</b></p> 	<p><b>Ratchet</b></p> 
	<p><b>Cordless Power Drill</b></p> 	<p><b>Cordless Impact Gun</b></p> 

**Accessory List**

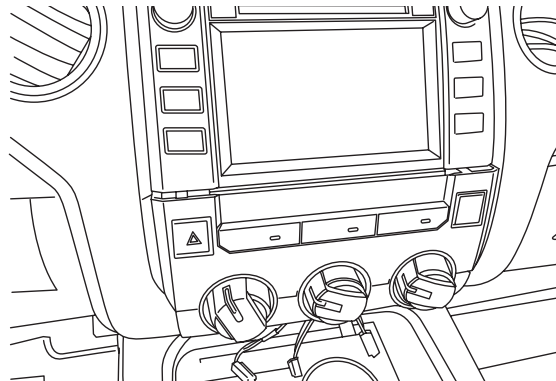
<p><b>Amplifier Assembly</b></p> 	<p><b>T-Harness</b></p> 	<p><b>Main Harness</b></p> 
<p><b>Amp bypass adapter</b></p> 	<p><b>RCA Adapters</b></p> 	<p><b>Power Cable</b></p> 
<p><b>Lock Washers</b></p> 	<p><b>1/2" Wafer head self tapping screw</b></p> 	<p><b>(10) Cable Ties</b></p> 

## Factory Equipment Removal Process

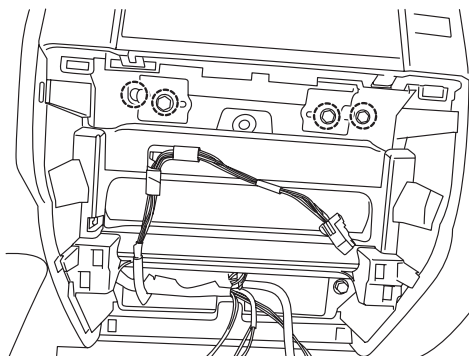
- 1** Use a panel removal tool to release clips of the cigarette lighter/AUX panel and remove it.



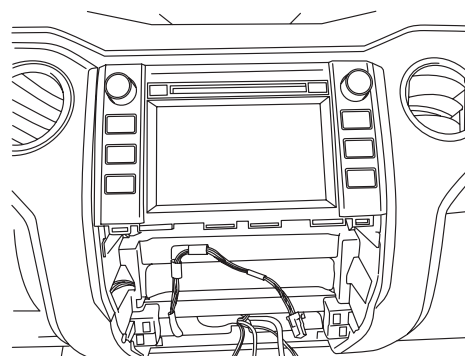
- 2** Use a panel removal tool to release the clips on the HVAC control panel and remove it.



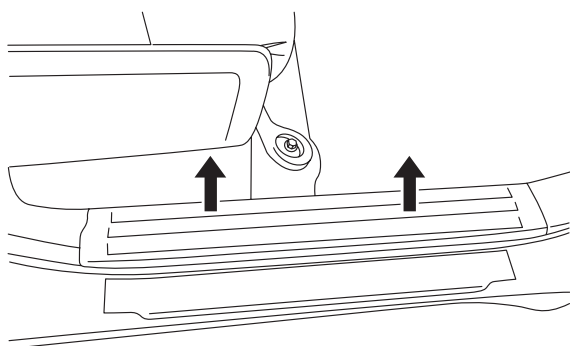
- 3** Use a 10mm socket to extract (4) 10mm screws below the radio.



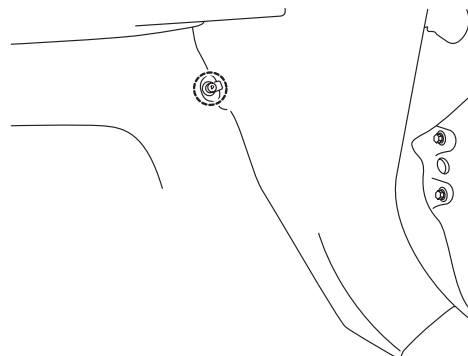
- 4** Use a panel removal tool to release the clips on the upper section of the radio disconnect and remove it.



- 5** Remove the door sill by carefully lifting up, use a panel removing tool if needed.

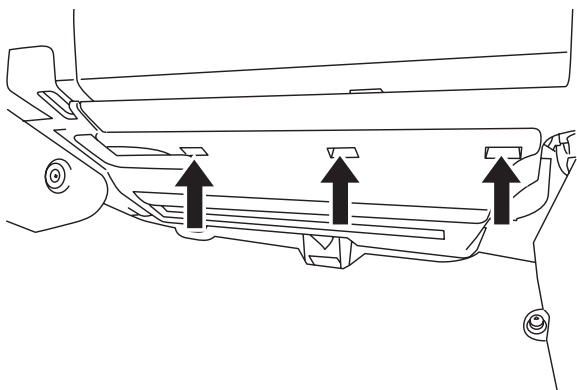


- 6** Remove passenger side kick panel by extracting the plastic nut far in the foot well and carefully unsnapping the clips.

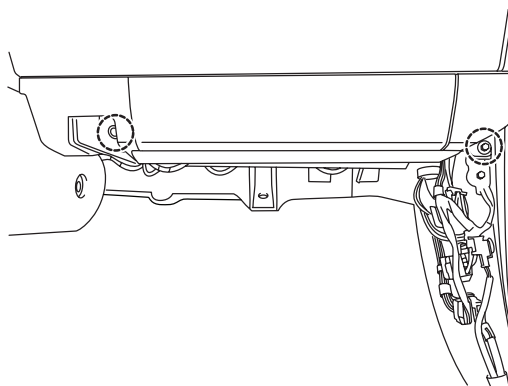


**Factory Equipment Removal Process (continued)**

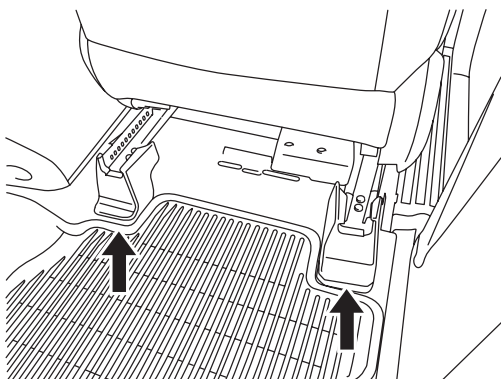
- 7 Remove passenger side lower dash cover by pressing the (3) tabs shown below.



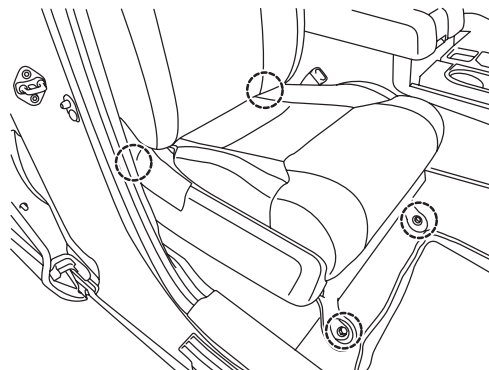
- 8 Extract (2) 10mm screws from the lower airbag cover, use a panel removal tool to release the clips and remove it.



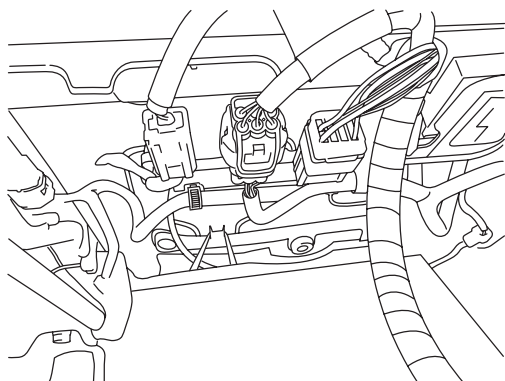
- 9 Use a panel removal tool to remove the passenger side rear screw covers.



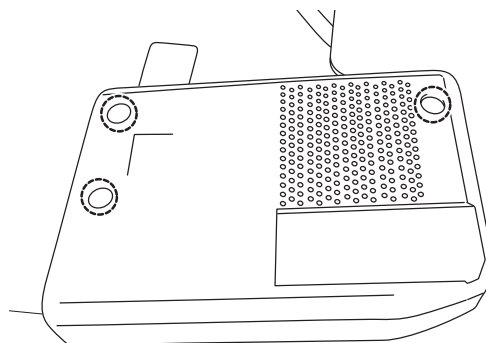
- 10 Release passenger side seat by extracting (4) 14mm screws.



- 11 Tilt the seat back and disconnect (3) connectors and remove the seat.

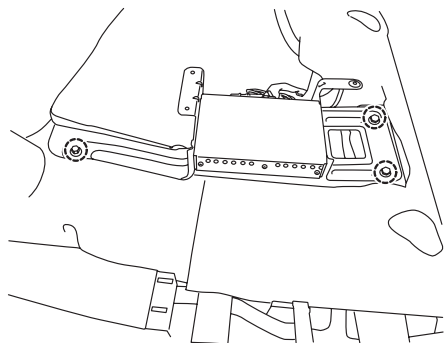


- 12 Extract (3) clips from the factory amplifier cover and remove it.



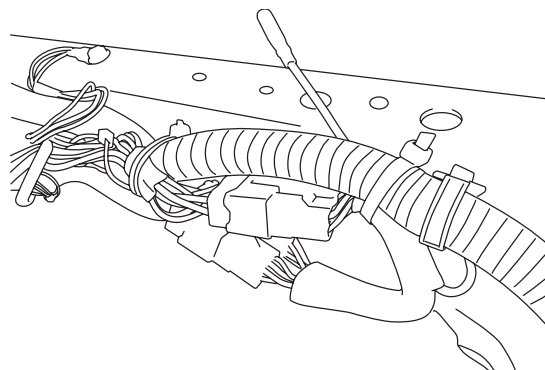
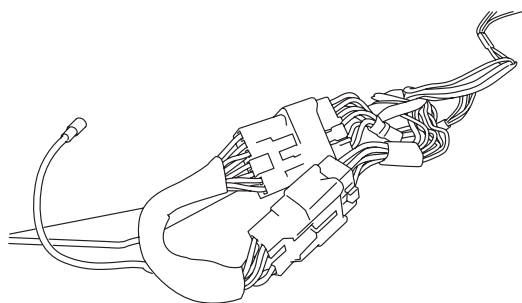
## Factory Equipment Removal Process (continued)

- 13** Extract (3) 10mm screws from the factory amplifier assembly, disconnect and remove it.

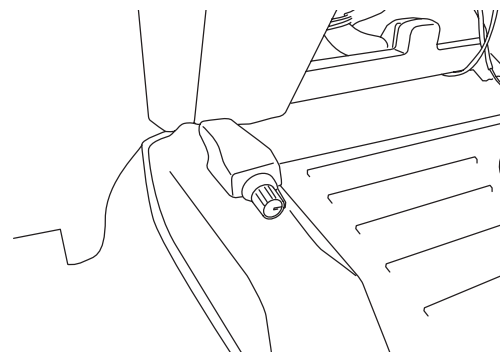
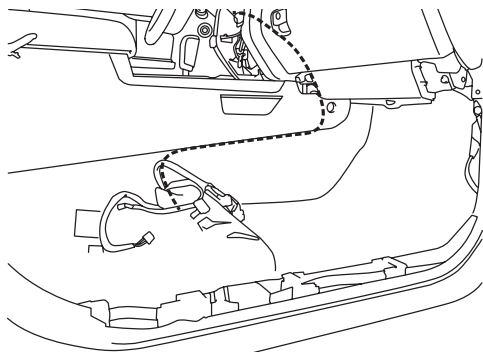


## Installation

- 1** Lift the carpet from the passenger side seat area and connect the factory amplifier bypass harness.
- 2** Secure the harness along the anchored factory harness using the included cable ties.

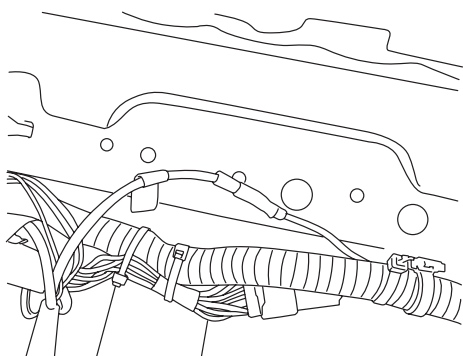


- 3** Route the main harness along the side of the center console up to the radio cavity.
- 4** Mount the bass level knob using the provided hoop and loop adhesive tape and route the cable along the main harness to the passenger side seat.

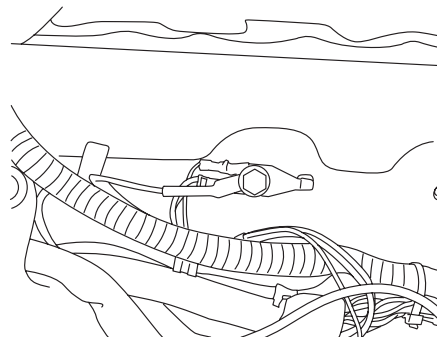


## Installation (continued)

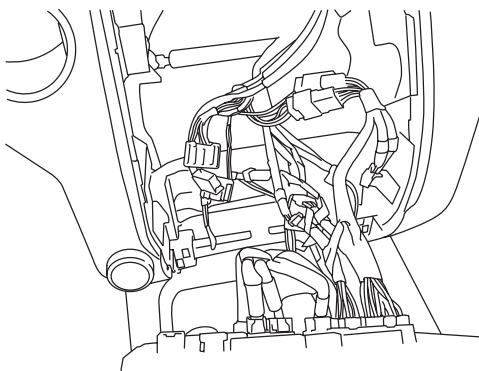
- 5 Connect the power cable from the amplifier bypass adapter to the main harness and secure it using the provided cable ties.



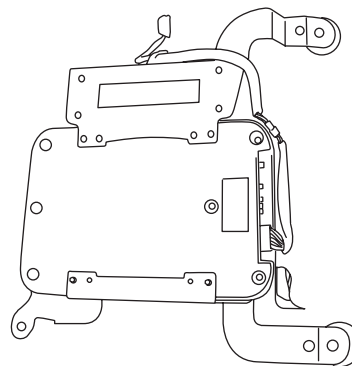
- 6 Connect the ground terminal to the factory ground point under the carpet.



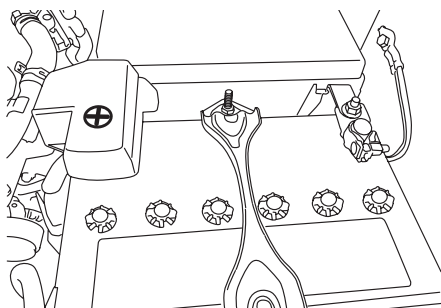
- 7 Make all necessary connections at the radio and amplifier assembly according to the corresponding system diagram on pages 8, 9 or 10. **Note:** Be sure to set all gains and crossover settings are as recommended on the diagrams.



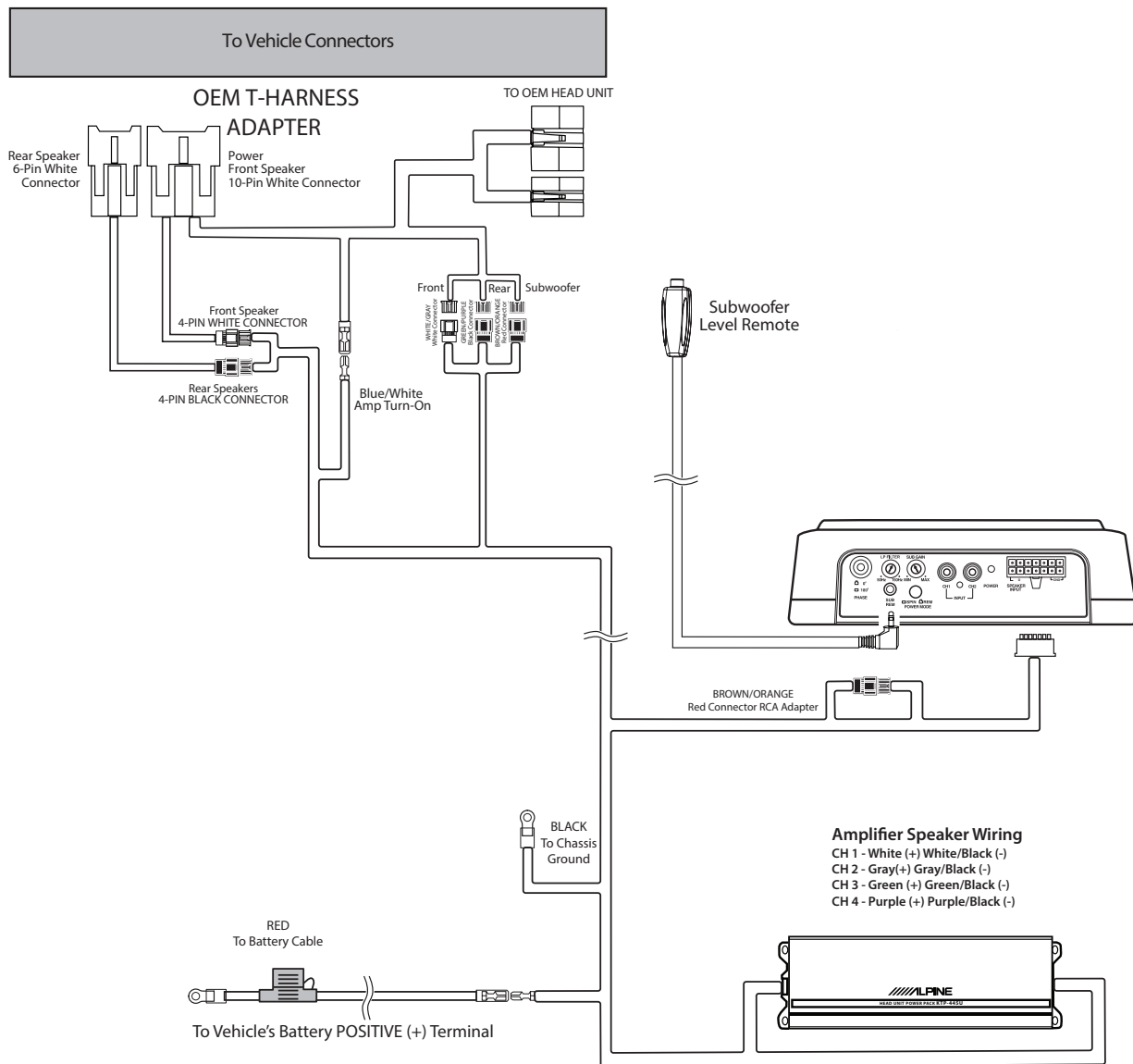
- 8 Align the amplifier assembly to the seat mounting holes and mount the seat back to its location.



- 9 Return all removed components to their factory location and connect the (-) Negative terminal back to the battery.



# OEM Head Unit Wiring Diagram



**POWER PACK AMPLIFIER KTP-445U**

↑ ↑ ↑ ↑ ↓ ↓

1 2 3 4 5 6

FRONT GAIN REAR GAIN

**SUBWOOFER PWE-S8**

LP FILTER SUB GAIN

50Hz 150Hz MIN MAX

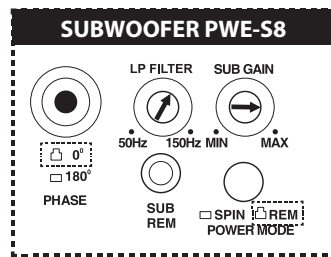
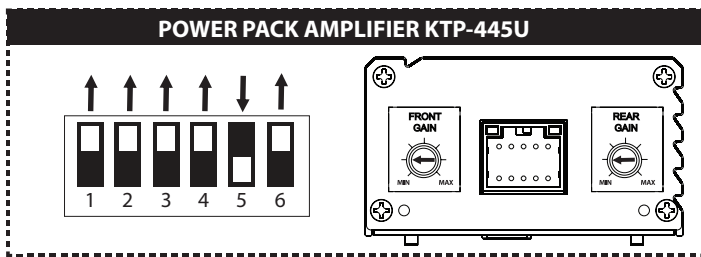
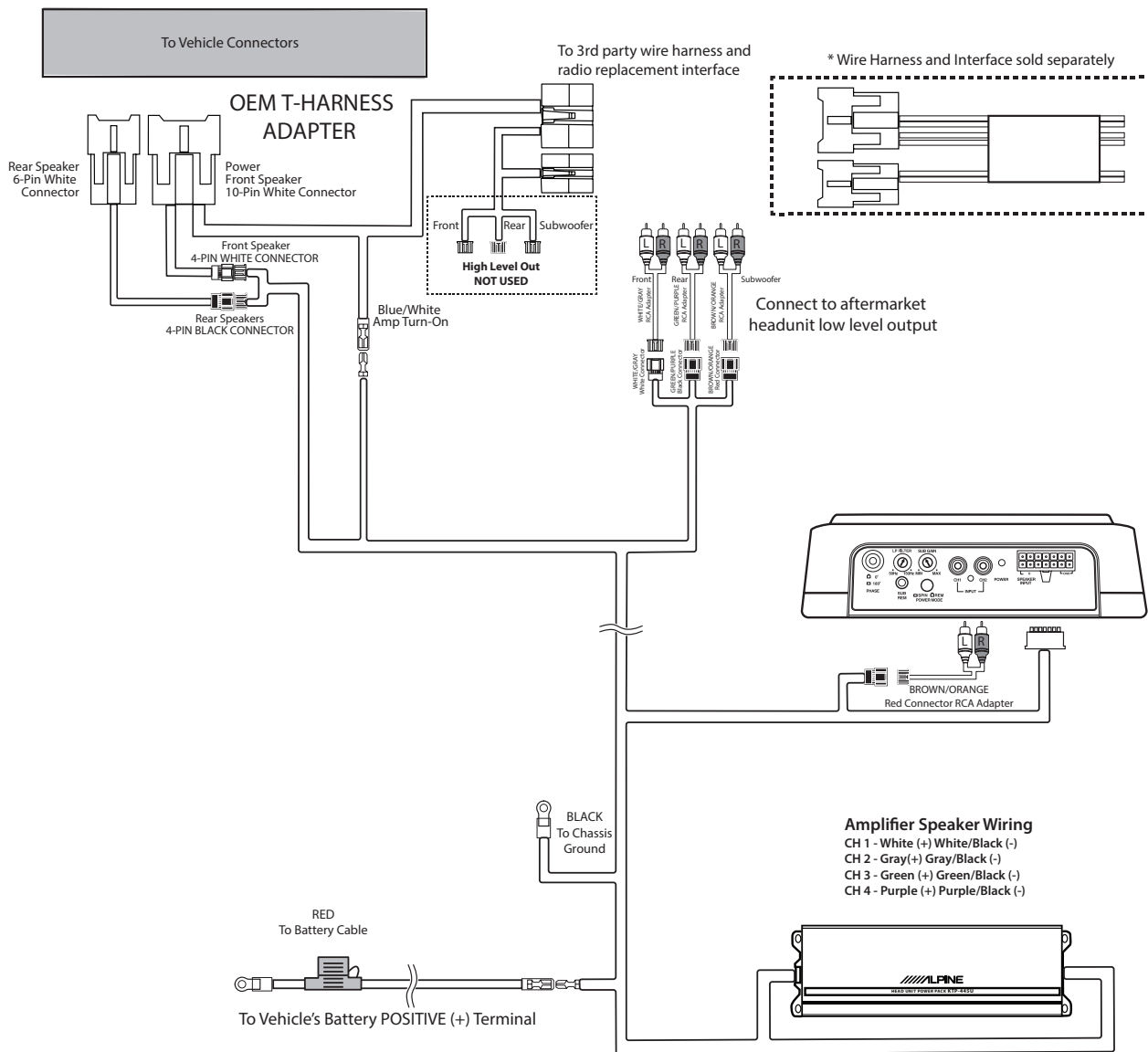
PHASE SUB REM

SPIN REM POWER MODE

**NOTE: FOR BEST PERFORMANCE SET AMPLIFIER AND SUBWOOFER TO RECOMMENDED SETTINGS AS SHOWN ABOVE**

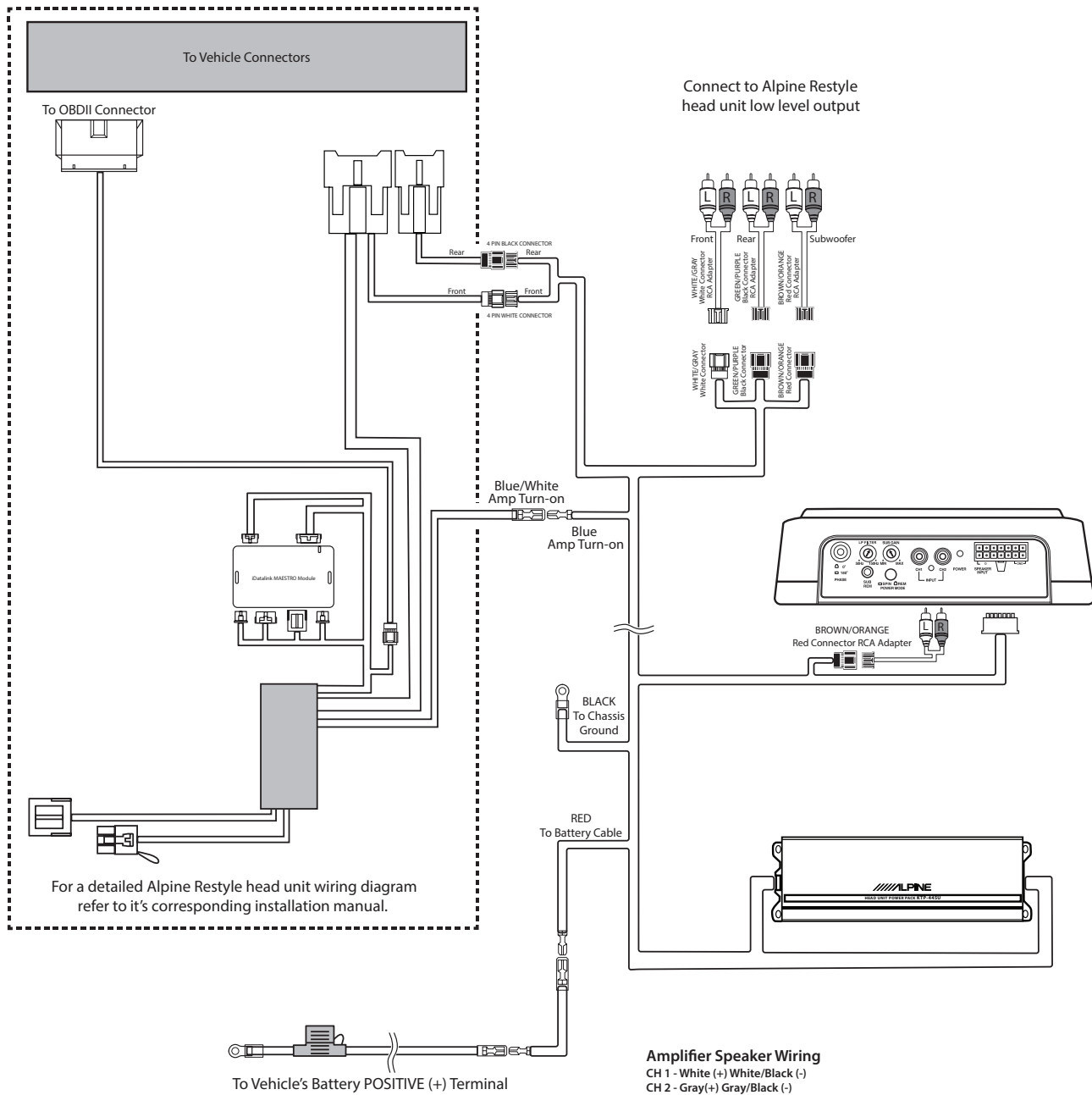


# Aftermarket Head Unit Wiring Diagram



**NOTE: FOR BEST PERFORMANCE SET AMPLIFIER AND SUBWOOFER TO RECOMMENDED SETTINGS AS SHOWN ABOVE**

# Alpine Restyle Head Unit Wiring Diagram



**Amplifier Speaker Wiring**  
 CH 1 - White (+) White/Black (-)  
 CH 2 - Gray (+) Gray/Black (-)  
 CH 3 - Green (+) Green/Black (-)  
 CH 4 - Purple (+) Purple/Black (-)

**POWER PACK AMPLIFIER KTP-445U**

FRONT GAIN: 1, 2, 3, 4, 5, 6 (Arrows pointing up for 1-4, down for 5, up for 6)

REAR GAIN: MIN, MAX

**SUBWOOFER PWE-S8**

LP FILTER: 50Hz, 150Hz, MIN, MAX

SUB GAIN: MIN, MAX

PHASE: 0°, 180°

SUB REM:  SPIN  REM

POWER MODE:  SPIN  REM

**NOTE: FOR BEST PERFORMANCE SET AMPLIFIER AND SUBWOOFER TO RECOMMENDED SETTINGS AS SHOWN ABOVE**