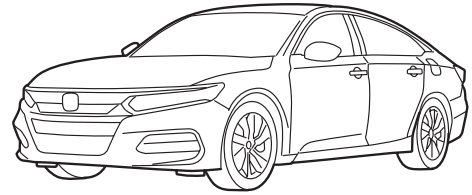


# Honda Accord

## PSU-300ACD Sound System Upgrade

### Installation Manual



- Model: 4-Door
- Model Year: 2018 – UP

\*Not compatible with EX-L and Touring Models

Honda	Model	Year
	Accord	2018 – UP

\* The specified vehicles have been tested and have met compatibility specs at the time of testing. Compatibility is not guaranteed if the manufacturer has made production changes to the listed vehicles above.

**⚠ Warning: Before you begin, remove the ground wire from the NEGATIVE (-) terminal of the battery. Failing to do so can lead to electric shock, injury or damage to equipment.**

### Introduction

- Congratulations on purchasing the PSU-300ACD. This installation manual is designed to take you through the step-by-step installation of the PSU-300ACD into a 2018 - Up Honda Accord. Please familiarize yourself with the owner's manual and if you still have additional questions please call 1-800-TECH-101.

### Note

- Design and specifications are subject to change without notice for improvement.





### To Ensure Safe Use, Always Follow These Precautions

- The installation of this product requires specialized skills and experience. We recommend that you have the product installed by an Alpine authorized dealer.
- Before you use this product, be sure to carefully read this installation manual and the separate user's manual so that you can use the product correctly. Alpine Electronics bears no responsibility for problems that arise as a result of failure to follow the instructions in the manuals.
- This manual includes a number of symbols that are intended to help you use the product safely, to prevent harm to you and others, and to protect against damage to property. These symbols and their meanings are listed below. Make sure you fully understand these symbols before you begin reading the main text.

### Explanations of Injury and Damage That May Result from Incorrect Use

<b>⚠ Warning</b>	Ignoring the content marked by this indication and using the product incorrectly may lead to death or serious injury.
<b>⚠ Caution</b>	Ignoring the content marked by this indication and using the product incorrectly may lead to injury or property damage.

**Types of Precautions**

 Forbidden	Indicates actions that are forbidden (must not be performed)
 Forbidden	Indicates that disassembly is forbidden.
 Mandatory	Indicates actions that are mandatory (must be performed)
	Marks content that should receive your full attention.


 **Warning**

**Do not disassemble or modify the product. Doing so could lead to an accident, fire, or electric shock.**  Forbidden


**Store screws and other small objects where small children cannot reach them. If one of these small objects is swallowed, consult with a doctor immediately.** 

**When replacing fuses, be sure to use fuses with the specified current rating. Failing to do so could lead to an accident or fire.**   Forbidden Mandatory


**Only connect the product to a 12 VDC negative ground car. Failing to do so could lead to an accident or fire.**  Mandatory


**Before you begin wiring, remove the ground wire from the negative terminal of the battery. Failing to do so could lead to electric shock or injury.** 


**Do not cut the insulation on a cord and take power from another device. Doing so could lead to fire or electric shock.**  Forbidden

**Do not install the product in a location where it will obstruct the driver's forward view; interfere with the operation of the steering wheel, gearshift, or the like; or pose a threat to passengers. Doing so could lead to an accident or injury.**  Forbidden

**When making a hole in the vehicle body, be careful to avoid damaging pipes, the fuel tank, electrical wiring, and the like. This kind of damage could lead to an accident or fire.** 


**When installing and grounding the product, do not use any of the bolts or nuts of the steering wheel, brakes, fuel tank, or the like. Doing so could make the brakes stop working or lead to fire.**  Forbidden

**Do not install the product near the passenger-side airbag. Doing so could interfere with the operation of the airbag and lead to an accident or injury.**  Forbidden


**Bundle cords so that they don't interfere with driving. Wrapping cords around the steering wheel, gearshift, brake pedal, or the like, could lead to an accident or damage equipment.** 

 **Caution**

**Connect the product properly according to the instructions. Failing to do so could lead to fire or an accident.**  Forbidden

**Do not sandwich cords between the seat railing or allow them to touch protrusions. Resulting breaks or shorts could lead to electric shock or fire.** 


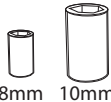
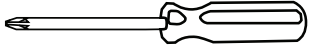
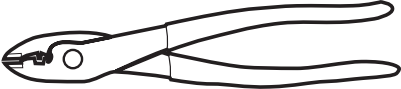
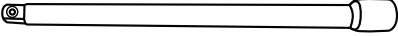
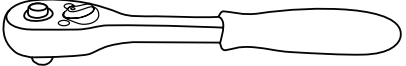
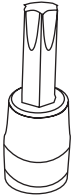
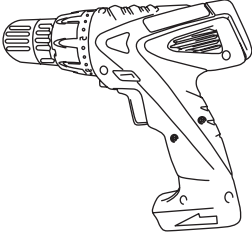
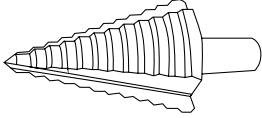
**Do not block vents or heat sinks. Doing so could lead to fire or damage equipment.** 

**Use the accessories according to the instructions, and attach them securely. Failing to do so could lead to an accident or damage equipment.**  Forbidden

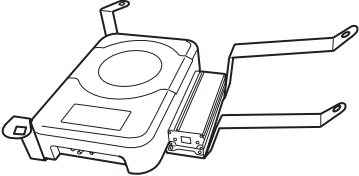
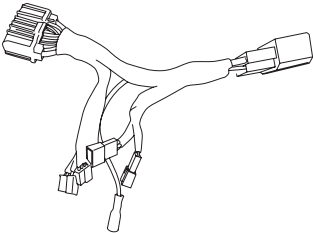
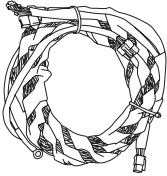

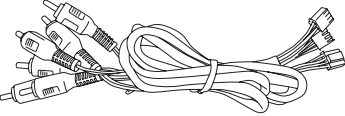
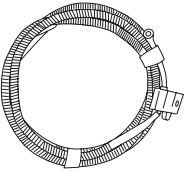
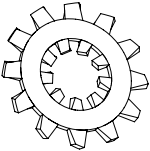
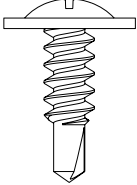
**Do not install the product where it may be exposed to water or in a place with high levels of humidity or dust. Doing so could lead to fire or damage equipment.**  Forbidden

**The installation and wiring of this product requires specialized skills and experience. Have the product installed by an Alpine authorized dealer.** 

**Tools Required**

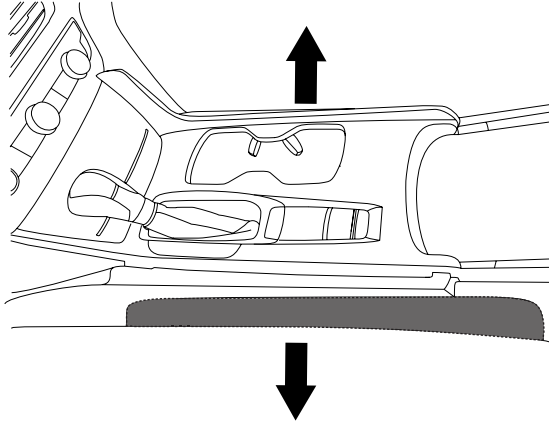
<p><b>Panel Removal Tool</b></p> 	<p><b>Sockets</b></p>  <p>8mm 10mm</p>	<p><b>Phillips Screwdriver</b></p> 
<p><b>Wire Cutters</b></p> 	<p><b>Extension</b></p> 	<p><b>Ratchet</b></p> 
<p><b>T50 Torx</b></p> 	<p><b>Cordless Power Drill</b></p> 	<p><b>Step Drill Bit</b></p> 

**Accessory List**

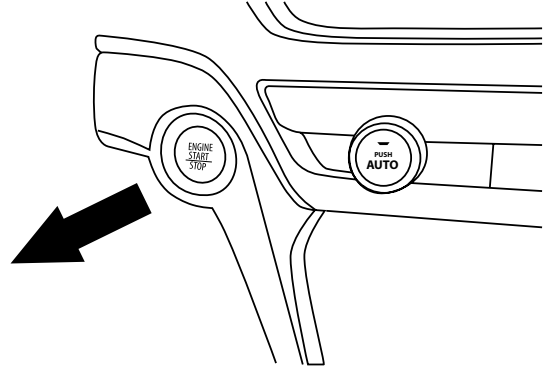
<p><b>Amplifier Assembly</b></p> 	<p><b>T-Harness</b></p> 	<p><b>Main Harness</b></p> 
<p><b>(10) Cable Ties</b></p> 	<p><b>RCA Adapters</b></p> 	<p><b>Power Cable</b></p> 
<p><b>Lock Washers</b></p> 	<p><b>1/2" Wafer head self tapping screw</b></p> 	

## Factory Equipment Removal Process

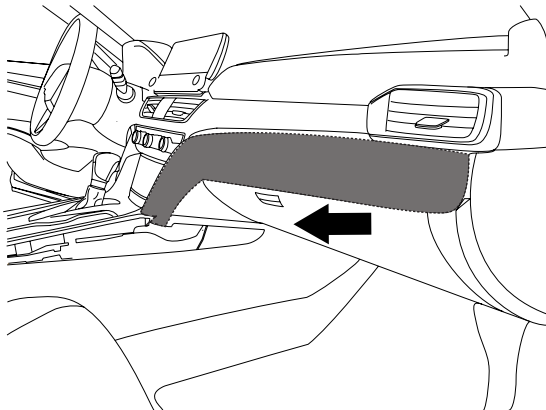
- 1 Use a panel removal tool to remove the center console side covers.



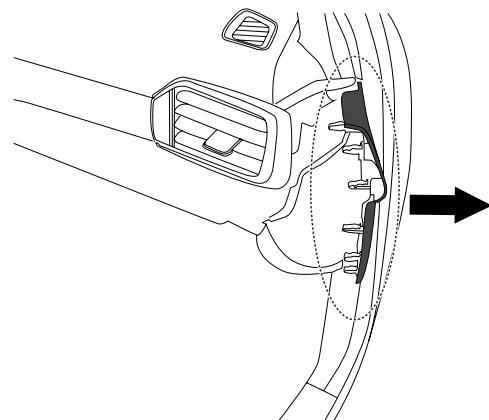
- 2 Remove the push-to-start button panel by pulling the panel towards the back.



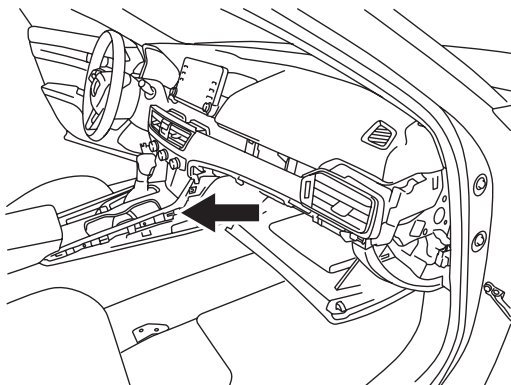
- 3 Remove the passenger side dash cover above the glove box by pulling towards the back of the vehicle.



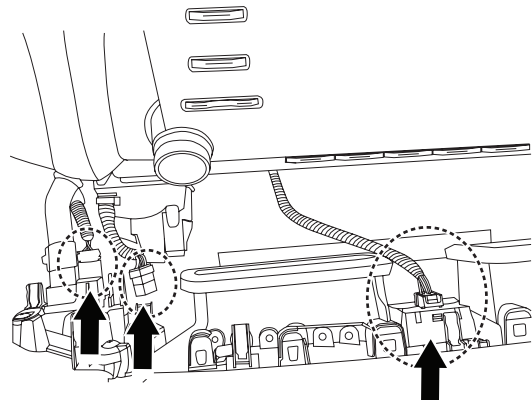
- 4 Remove the passenger side dash cover by releasing the clips and pulling towards the right side of the dash.



- 5 Unclip the passenger side vent and HVAC panel by pulling towards the back of the vehicle.

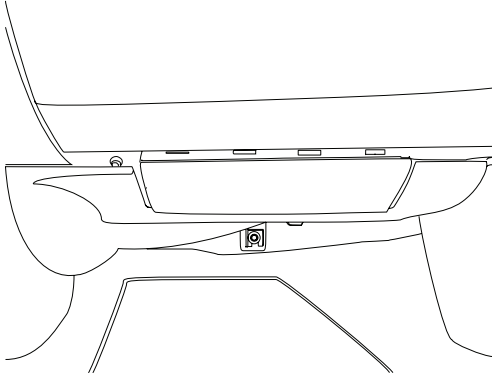


- 6 Disconnect (3) connectors and remove the HVAC panel.

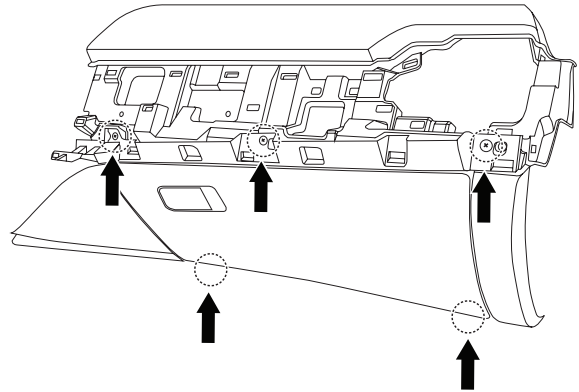


**Factory Equipment Removal Process (continued)**

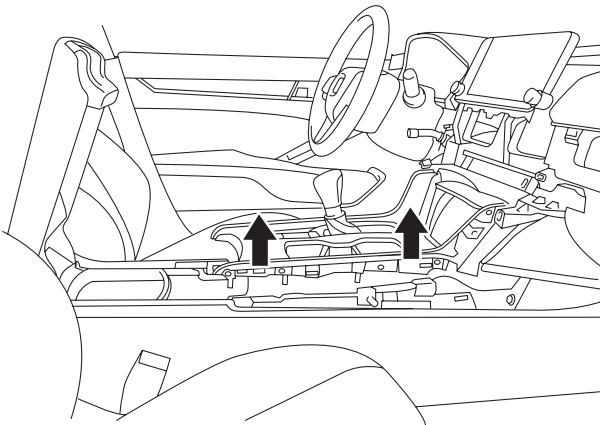
- 7 Remove the passenger side under dash cover by pulling down.



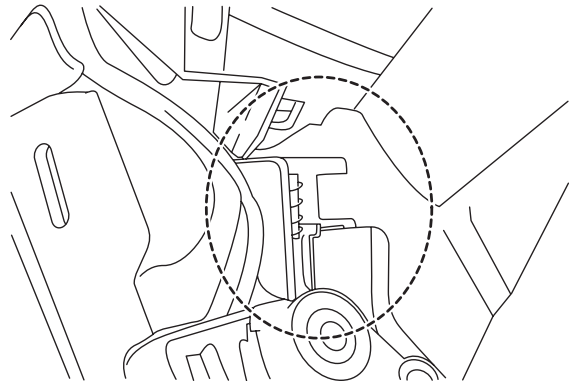
- 8 Remove the glovebox by extracting (3) Phillips Panhead screws on top and (2) 8mm screws on the bottom.



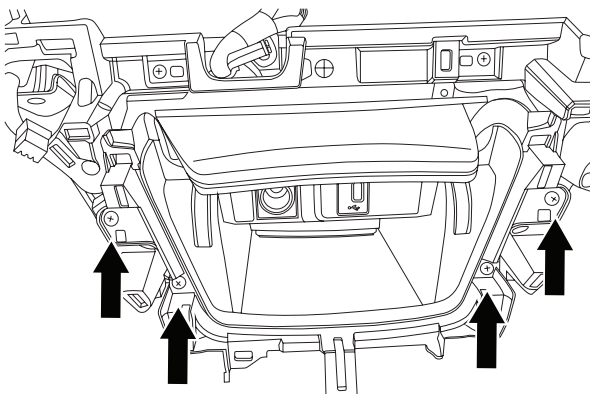
- 9 Release the shifter panel by pulling up.



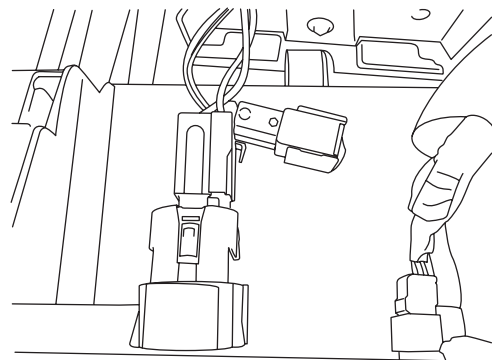
- 10 Press the white spring loaded gear release to move the shifter. (this will allow additional room to work).



- 11 Extract (4) Phillips panhead screws from the center console, storage compartment.

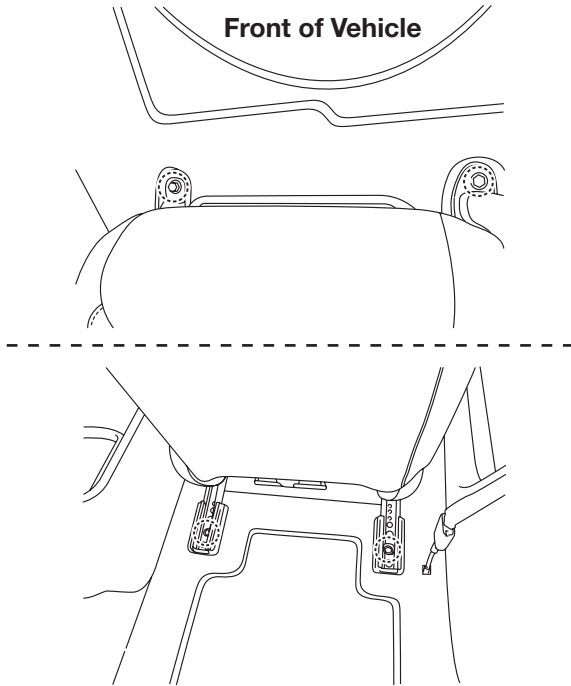


- 12 Disconnect the plugs and remove the storage compartment.

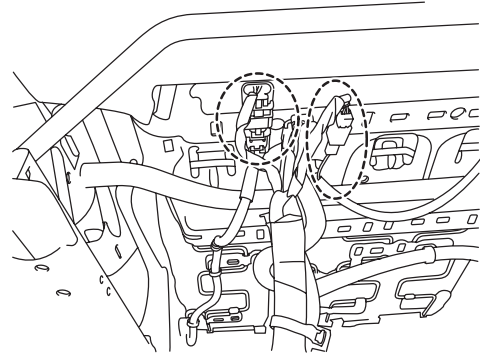


**Factory Equipment Removal Process (continued)**

- 13** Extract (4) 14mm screws from the passenger side seat.

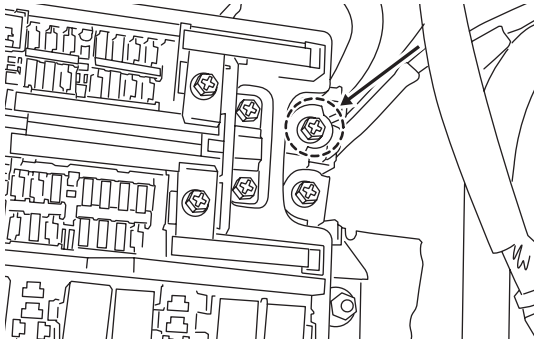


- 14** Tilt the passenger seat towards the back to reveal (3) connectors, disconnect and remove the seat.

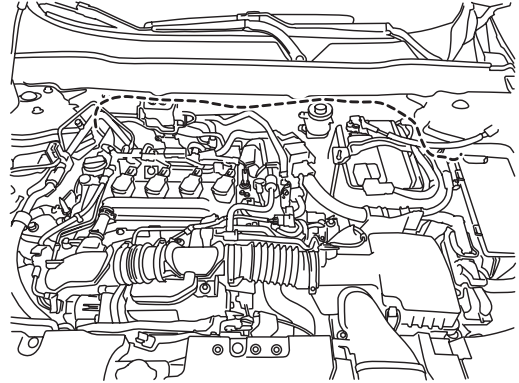


## Installation

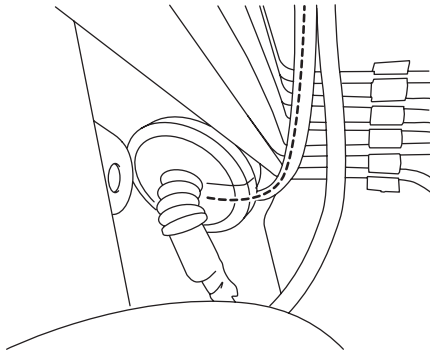
- 1 Connect the power cable to the Positive (+) battery terminal at the fuse block in the engine compartment. **Note: The negative terminal should remain disconnected until the installation is completed.**



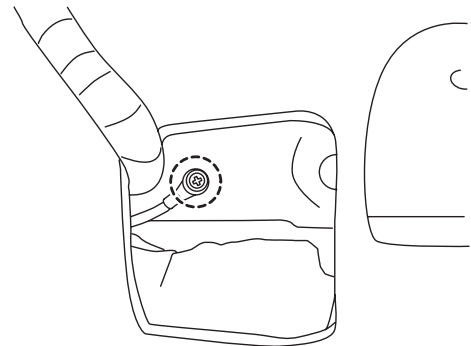
- 2 Route the cable towards the passenger side as shown below.



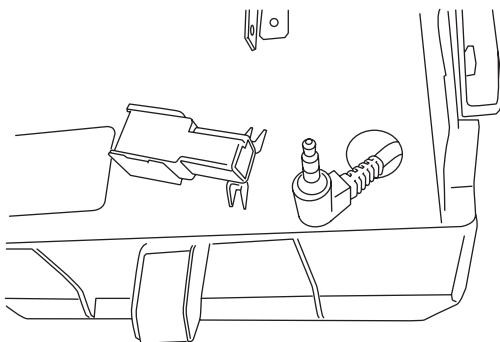
- 3 Route the power cable thru the rubber grommet on the firewall on the passenger side.



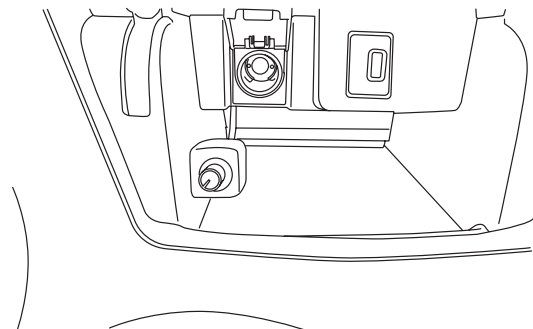
- 4 Remove the paint to expose bare metal near the seat's harness and attach the main harness Negative (-) ground terminal with the provided wafer head self tapping screw and lock washer.



- 5 Using a step drill, drill a 1/2" hole on the center console compartment and feed the subwoofer level remote cable thru.



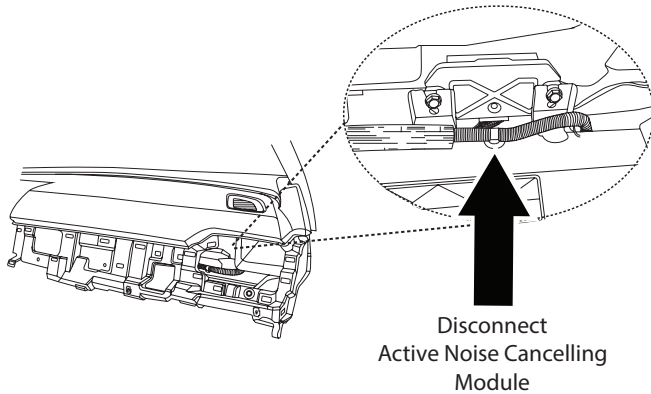
- 6 Mount the subwoofer level remote on the center console compartment (as shown below) and route the cable to the passenger side seat.



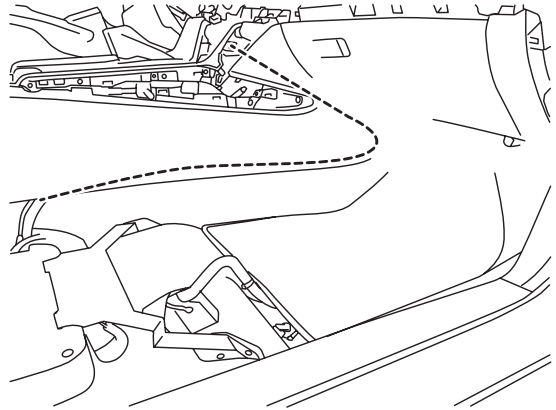


**Installation (continued)**

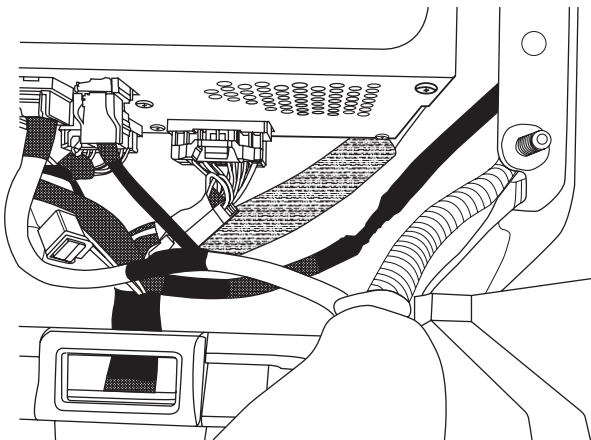
- 7 Locate the Active Noise Cancelling module behind the passenger side vent and disconnect it. **Note:** skipping this step will cause the subwoofer to emit unwanted engine rumble.



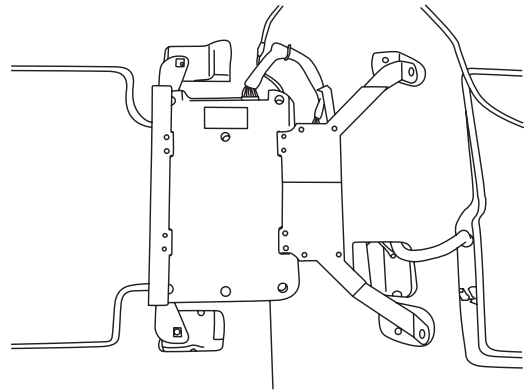
- 8 Route the main harness along the side on the center console to the radio location.



- 9 Make all necessary connections at the radio location according to the OEM or Aftermarket system diagrams on pages 9,10 or 11. **Note:** be sure to set the recommended audio settings.



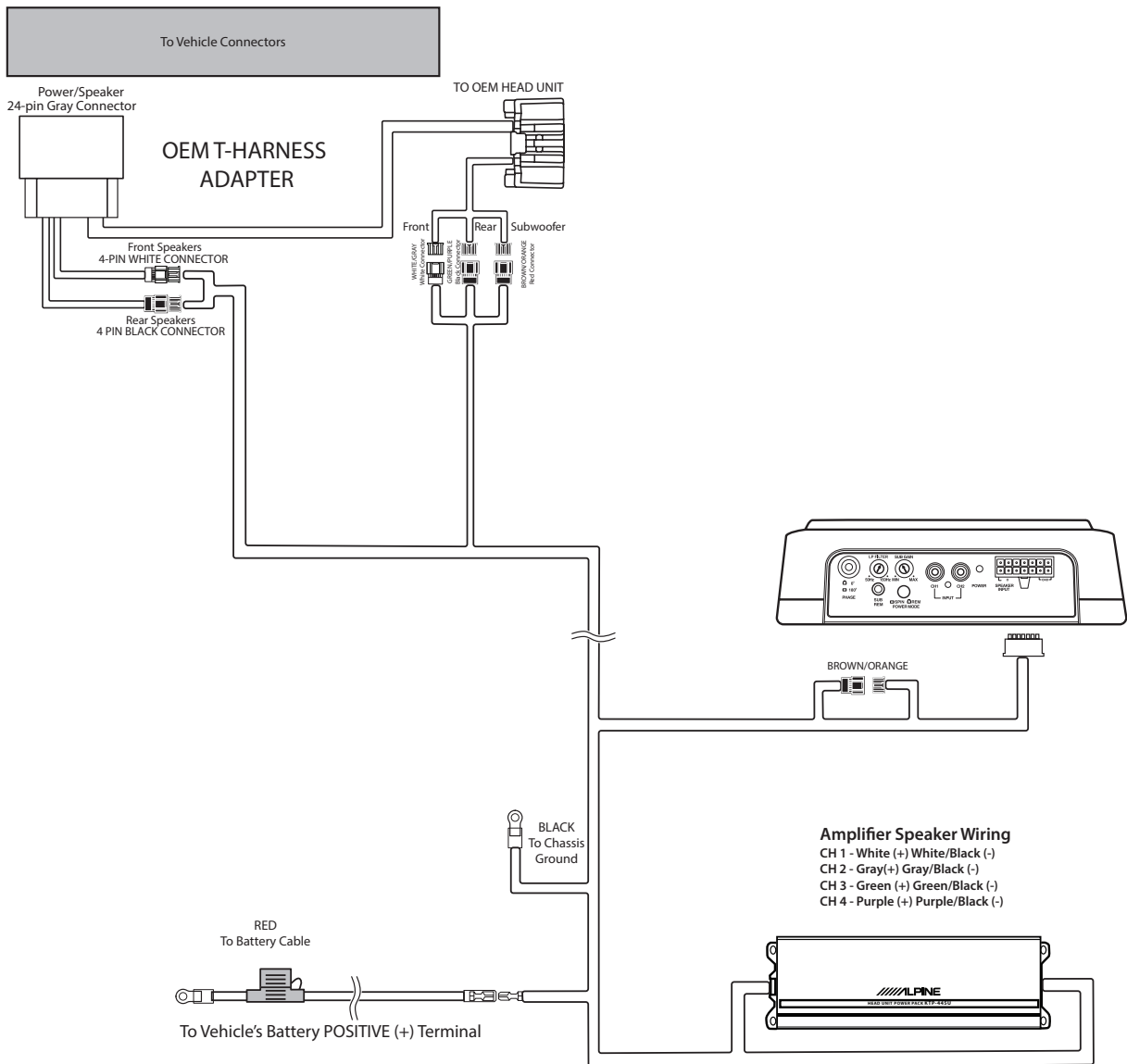
- 10 Connect the main harness to the amplifier/subwoofer assembly and align it to the seat mounting points.



- 11 Replace all removed components and re-connect the Negative (-) battery terminal.



# OEM Head Unit Wiring Diagram



**POWER PACK AMPLIFIER KTP-445U**

↑ ↑ ↑ ↑ ↓ ↓

1 2 3 4 5 6

FRONT GAIN REAR GAIN

**SUBWOOFER PWE-S8**

LP FILTER SUB GAIN

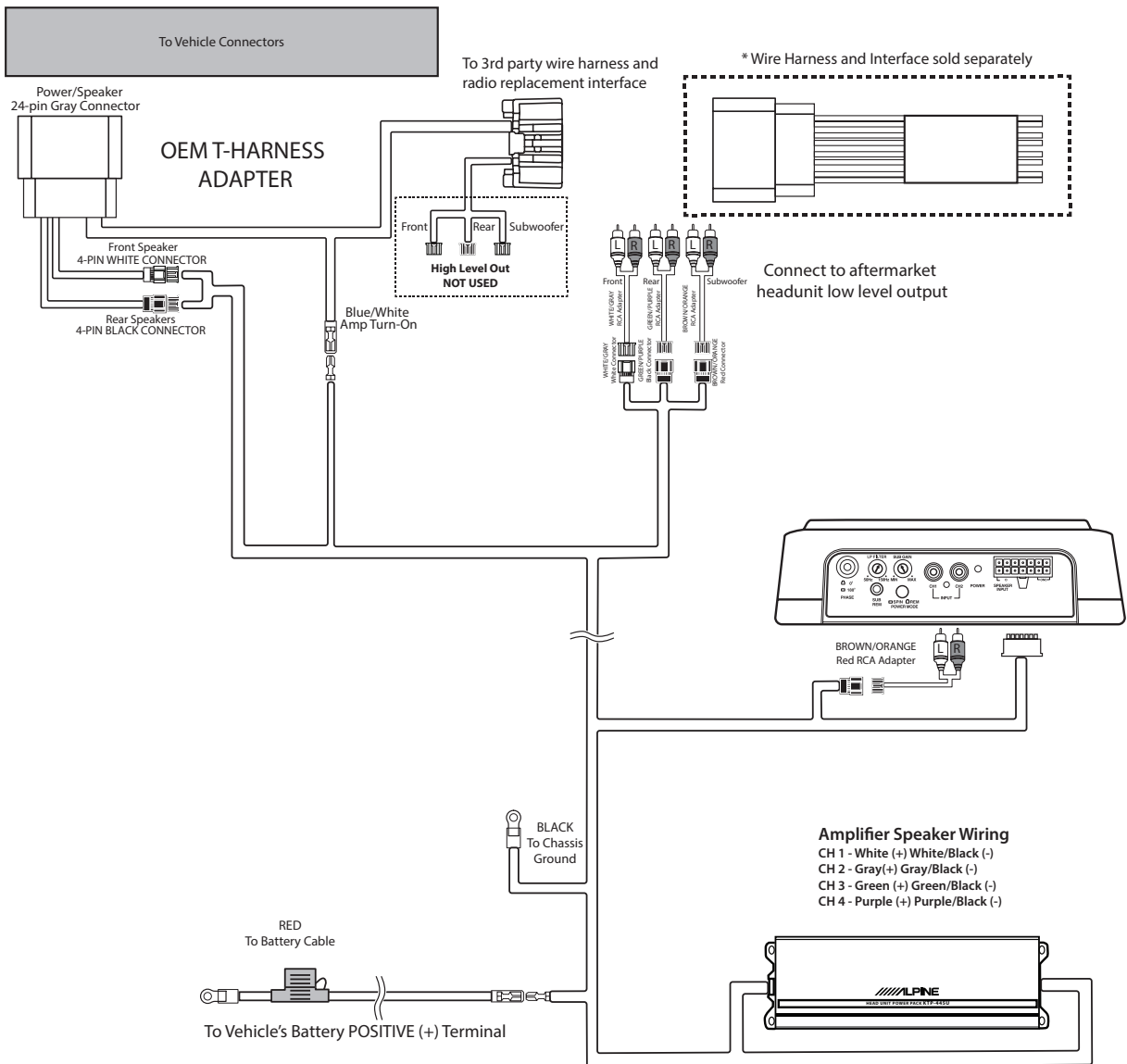
50Hz 150Hz MIN MAX

PHASE 0° 180°

SUB REM SPIN! REM POWER MODE

**NOTE: FOR BEST PERFORMANCE SET AMPLIFIER AND SUBWOOFER TO RECOMMENDED SETTINGS AS SHOWN ABOVE**

# Aftermarket Head Unit Wiring Diagram



**POWER PACK AMPLIFIER KTP-445U**

FRONT GAIN

REAR GAIN

PHASE

**SUBWOOFER PWE-S8**

LP FILTER

SUB GAIN

50Hz 150Hz MIN MAX

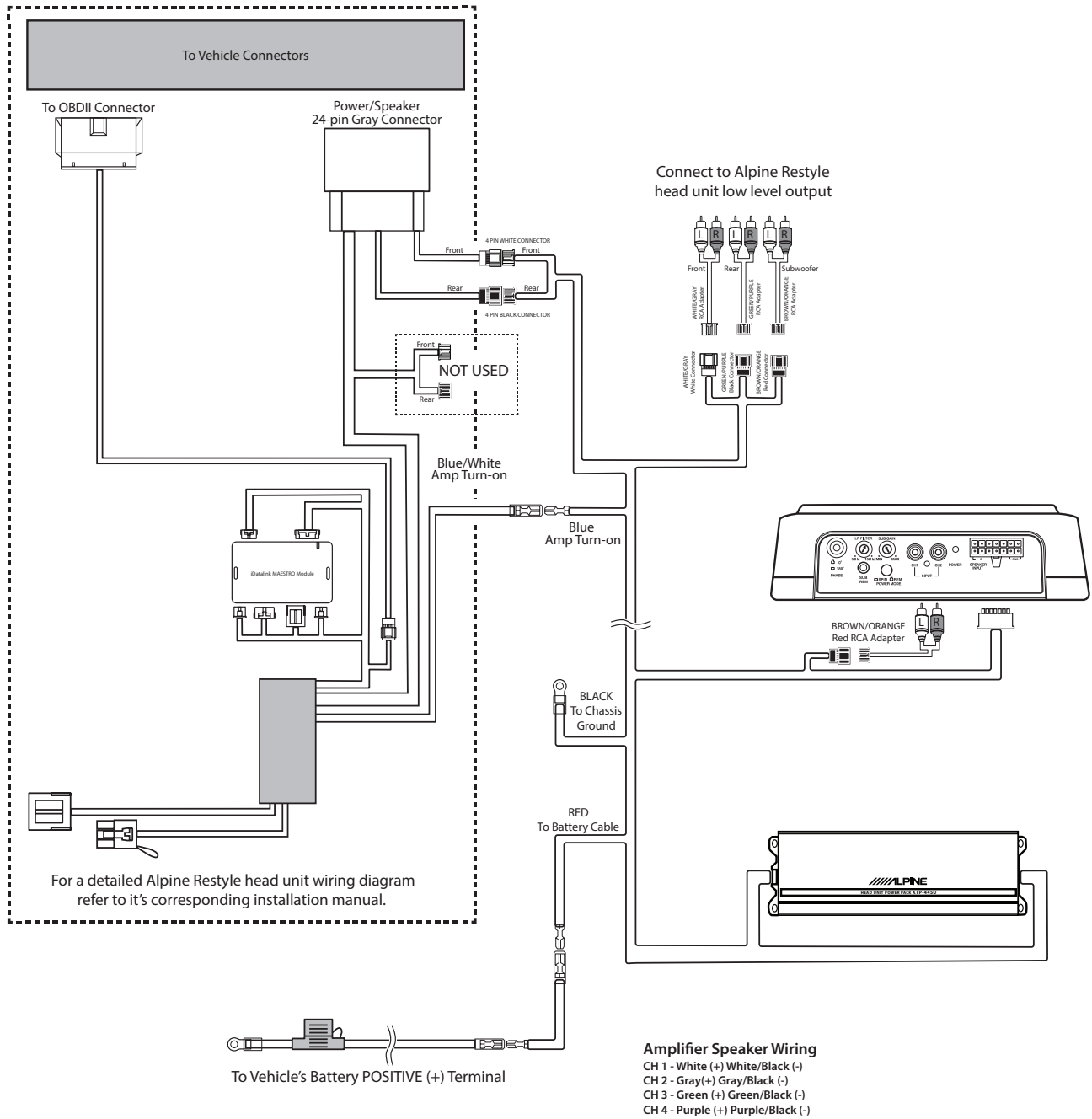
PHASE

SUB REM

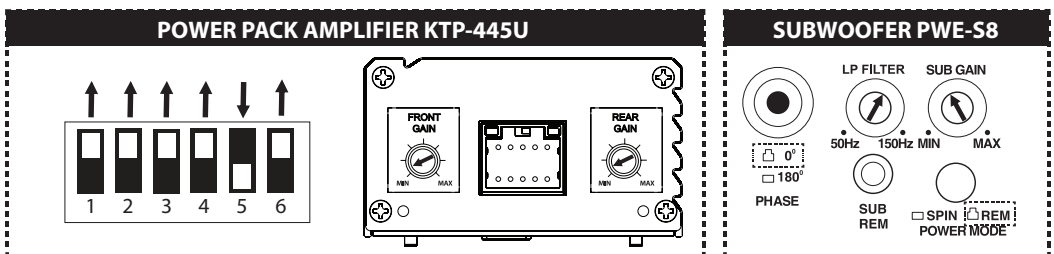
SPIN REM POWER MODE

**NOTE: FOR BEST PERFORMANCE SET AMPLIFIER AND SUBWOOFER TO RECOMMENDED SETTINGS AS SHOWN ABOVE**

# Alpine Restyle Head Unit Wiring Diagram



**Amplifier Speaker Wiring**  
 CH 1 - White (+) White/Black (-)  
 CH 2 - Gray (+) Gray/Black (-)  
 CH 3 - Green (+) Green/Black (-)  
 CH 4 - Purple (+) Purple/Black (-)



**NOTE: FOR BEST PERFORMANCE SET AMPLIFIER AND SUBWOOFER TO RECOMMENDED SETTINGS AS SHOWN ABOVE**

## Troubleshooting Guide

Symptom	Possible Cause	Remedy
1 System will not turn on	Missing or blown fuse at the battery	Insert or replace fuse
	Radio's Remote Turn-On wire may be disconnected.	Verify that Remote Turn-On wire is connected.
2 Volume is too loud with aftermarket headunit.	Speaker level out is connected at the T-Harness.	Ensure that the low level RCA adapters are used in aftermarket headunit system (refer to the corresponding wiring diagram).
	Amplifiers gain control has not been properly adjusted.	Refer to the corresponding system diagram.
3 Subwoofer sounds very low.	Gain level may be down to the lowest setting.	Adjust level to recommended setting (refer to the corresponding wiring diagram).
	Audio Phase may be reversed.	Ensure that the PHASE is set to 0°.
4 One of the speakers has no sound.	Disconnected pin or loose connection.	Check all connections to the speaker, loose pins, disconnected terminals etc..
5 Airbag light is on	Failed to disconnect the battery while working on the vehicle.	Disconnect the battery and re-connect after 5 minutes. If problem is not solved, the vehicle will have to be taken to a Honda dealer.
6 System turns on only on radio source	Aftermarket Power Antenna wire is connected to amp	Connect the Remote Turn-On wire (Blue/White) to the Blue wire on the amplifier harness.