

ALPINE®

DVD-VIDEO/CD PLAYER

DVE-5300



- OWNER'S MANUAL
Please read before using this equipment.
- MODE D'EMPLOI
Veuillez lire avant d'utiliser cet appareil.
- MANUAL DE OPERACIÓN
Léalo antes de utilizar este equipo.

Thank you for purchasing this Alpine product. Please take a moment to protect your purchase by registering your product now at the following address: www.alpine-usa.com/registration. You will be informed of product and software updates (if applicable), special promotions, news about Alpine, and entered for a chance to win prizes.

Merci d'avoir acheté ce produit Alpine. Nous vous invitons à consacrer un moment à la protection de votre achat en enregistrant votre produit dès maintenant à l'adresse suivante : www.alpine-usa.com/registration.

Vous serez tenu informé des mises à jour des produits et des logiciels (le cas échéant), des promotions spéciales, de l'actualité d'Alpine, et vous aurez une chance de remporter des prix.

Gracias por adquirir este producto Alpine. Con solo unos pocos pasos podrá proteger su producto, registrándolo a través de la siguiente dirección: www.alpine-usa.com/registration. Recibirá información sobre nuevos productos y software, promociones especiales, novedades sobre Alpine y participará en el sorteo de premios.

ALPINE ELECTRONICS OF AMERICA, INC.
19145 Gramercy Place, Torrance,
California 90501, U.S.A.
Phone 1-800-ALPINE-1 (1-800-257-4631)

ALPINE ELECTRONICS MARKETING, INC.

1-7, Yukigaya-Otsukamachi, Ota-ku,
Tokyo 145-0067, JAPAN
Phone: 03-5499-4531

ALPINE ELECTRONICS France S.A.R.L.

184 allée des Erables
CS 52016 - Villepinte
95 945 Roissy CDG cedex
FRANCE
Phone : + 33(0)1 48 63 89 89

ALPINE ELECTRONICS OF AUSTRALIA PTY. LTD.

161-165 Princes Highway, Hallam
Victoria 3803, Australia
Phone 03-8787-1200

ALPINE ELECTRONICS GmbH

Wilhelm-Wagenfeld-Str. 1-3, 80807 München, Germany
Phone 089-32 42 640

ALPINE ELECTRONICS OF U.K. LTD.

Alpine House
Fletchamstead Highway, Coventry CV4 9TW, U.K.
www.alpine.co.uk

ALPINE ITALIA S.p.A.

Viale Cristoforo Colombo, 8
20090 Trezzano sul Naviglio MI, Italy
Phone +39 02 484781

ALPINE ELECTRONICS DE ESPAÑA, S.A.

Portal de Gamarra 36, Pabellón, 32
01013 Vitoria (Alava)-APDO 133, Spain
Phone 945-283588

Contents

Operating Instructions

WARNING

WARNING	5
CAUTION	5
PRECAUTIONS	6
Discs playable on this unit	7

Getting Started

When Using the Remote Control	9
Battery Replacement	9
Turning Power On and Off	10
Loading and Unloading Discs	10
Operating the DVE-5300 Video Player	11

DVD/Video CD

Playing DVD/Video CD	12
Stopping Playback	12
Fast-forwarding/Fast-reversing	12
Finding the Beginning of Chapters or Tracks	13
Playing Still Frames (pausing)	13
Frame-by-frame Playback	13
Searching by Title Number (DVD only)	13
Searching Directly by Chapter or Track Number	13
Chapter/Track/Title Repeat Playback	14
Switching the Audio Tracks	14
Video CDs with multiplex audio	14
Switching the Angle (DVD only)	14
Switching the Subtitles (subtitle language) (DVD only)	14
Displaying the Disc Status (DVD only)	15
Displaying the Disc Status (Video CD only)	15

CD

Playback	16
M.I.X. (Random Play)	16
Repeat Play	16
Searching Directly by Track Number	16

MP3/WMA/AAC/WAV

Playback	17
Selecting Folders	17
M.I.X. (Random Play)	17
Repeat Play	17
Folder/File Name Search	18
Searching Directly by File Number	18
About MP3/WMA/AAC	18

DVD Setup

DVD Setup Operation	20
Setting items	20
System Setup	20
Switching the Bar Color	20
Setting the TV Screen	20
Delaying Image Output	21
Returning to the Initial Setting	21
DVD Contents Setup	21
Setting the language	21
CD Contents Setup	22
Playing MP3/WMA/AAC/WAV Data	22
Setting the Video CD Play Mode	22
Displaying the Disc Status Automatically (CD/MP3/WMA/AAC/WAV Only)	22
Audio Setup	22
Setting the Digital Output	22
Setting the Downmix Mode	22

Information

About DVDs	23
About WAV	23
Terminology	24
List of Language Codes	25
In Case of Difficulty	26
Specifications	28

Installation and Connections

Warning	29
Caution	29
Precautions	29
Installation	30
Connections	33
System Example	34

LIMITED WARRANTY

Operating Instructions

WARNING



This symbol means important instructions. Failure to heed them can result in serious injury or death.

DO NOT WATCH VIDEO WHILE DRIVING.

Watching the video may distract the driver from looking ahead of the vehicle and cause an accident.

DO NOT OPERATE ANY FUNCTION THAT TAKES YOUR ATTENTION AWAY FROM SAFELY DRIVING YOUR VEHICLE.

Any function that requires your prolonged attention should only be performed after coming to a complete stop. Always stop the vehicle in a safe location before performing these functions.

Failure to do so may result in an accident.

KEEP THE VOLUME AT A LEVEL WHERE YOU CAN STILL HEAR OUTSIDE NOISES WHILE DRIVING.

Excessive volume levels that obscure sounds such as emergency vehicle sirens or road warning signals (train crossings, etc.) can be dangerous and may result in an accident. LISTENING AT LOUD VOLUME LEVELS IN A CAR MAY ALSO CAUSE HEARING DAMAGE.

MINIMIZE DISPLAY VIEWING WHILE DRIVING.

Viewing the display may distract the driver from looking ahead of the vehicle and cause an accident.

DO NOT DISASSEMBLE OR ALTER.

Doing so may result in an accident, fire or electric shock.

USE ONLY IN CARS WITH A 12 VOLT NEGATIVE GROUND.

(Check with your dealer if you are not sure.) Failure to do so may result in fire, etc.

KEEP SMALL OBJECTS SUCH AS BATTERIES OUT OF THE REACH OF CHILDREN.

Swallowing them may result in serious injury. If swallowed, consult a physician immediately.

USE THE CORRECT AMPERE RATING WHEN REPLACING FUSES.

Failure to do so may result in fire or electric shock.

DO NOT BLOCK VENTS OR RADIATOR PANELS.

Doing so may cause heat to build up inside and may result in fire.

USE THIS PRODUCT FOR MOBILE 12V APPLICATIONS.

Use for other than its designed application may result in fire, electric shock or other injury.

DO NOT PLACE HANDS, FINGERS OR FOREIGN OBJECTS IN INSERTION SLOTS OR GAPS.

Doing so may result in personal injury or damage to the product.



This symbol means important instructions. Failure to heed them can result in injury or material property damage.

HALT USE IMMEDIATELY IF A PROBLEM APPEARS.

Failure to do so may cause personal injury or damage to the product. Return it to your authorized Alpine dealer or the nearest Alpine Service Center for repairing.

PRECAUTIONS

Product Cleaning

Use a soft dry cloth for periodic cleaning of the product. For more severe stains, please dampen the cloth with water only. Anything else has the chance of dissolving the paint or damaging the plastic.

Temperature

Do not operate your unit in ambient temperature above +60°C (+140°F) or below -10°C (+14°F).

Moisture Condensation

You may notice the disc playback sound wavering due to condensation. If this happens, remove the disc from the player and wait about an hour for the moisture to evaporate.

Damaged Disc

Do not attempt to play cracked, warped, or damaged discs. Playing a bad disc could severely damage the playback mechanism.

Maintenance

If you have problems, do not attempt to repair the unit yourself. Return it to your Alpine dealer or the nearest Alpine Service Station for servicing.

Never Attempt the Following

Do not grip or pull out the disc while it is being pulled back into the player by the automatic reloading mechanism.

Do not attempt to insert a disc into the unit when the unit power is off.



Inserting Discs

Your player accepts only one disc at a time for playback. Do not attempt to load more than one disc.

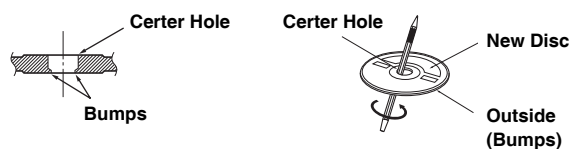
Make sure the label side is facing up when you insert the disc. Press ▲ to eject any disc that is inserted incorrectly.

Playing a disc while driving on a very bumpy road may result in skips, but this will not scratch the disc or damage the player.

New Discs

As a protective measure to prevent the disc from jamming, press ▲ to eject any disc with irregular surface or inserted incorrectly.

When a new disc is inserted into the player and ejected after initial loading, using your finger, feel around the inside of the center hole and outside edge of the disc. If you feel any small bumps or irregularities, this could inhibit proper loading of the disc. To remove the bumps, rub the inside edge of the hole and outside edge of the disc with a ball-point pen or other such instrument, then insert the disc again.



Irregular Shaped Discs

Be sure to use round shaped discs only for this unit and never use any special shaped discs.

Use of special shaped discs may cause damage to the mechanism.



Installation Location

Make sure the DVE-5300 will not be installed in a location subjected to:

- Direct sun and heat
- High humidity and water
- Excessive dust
- Excessive vibrations

Correct Handling

Do not drop the disc while handling. Hold the disc so you will not leave fingerprints on the surface. Do not affix tape, paper, or gummed labels to the disc. Do not write on the disc.



INCORRECT



CORRECT



CORRECT



Disc Cleaning

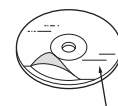
Fingerprints, dust, or soil on the surface of the disc could cause the DVD player to skip. For routine cleaning, wipe the playing surface with a clean, soft cloth from the center of the disc to the outer edge. If the surface is heavily soiled, dampen a clean, soft cloth in a solution of mild neutral detergent before cleaning the disc.



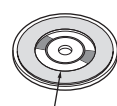
Disc Accessories

There are various accessories available on the market for protecting the disc surface and improving sound quality.

However, most of them will influence the thickness and/or diameter of the disc. Using such accessories can cause operational problems. We recommend not using these accessories on discs played in Alpine DVD players.



Transparent Sheet



Disc Stabilizer

Discs playable on this unit

Playable Discs

The discs listed below can be played on this unit.

	Mark (logo)	Recorded content	Disc size	Max. playing time
DVD Video		Audio + Video	12 cm*	One-sided disc Approx. 4 hours Two-sided disc Approx. 8 hours
Video CD		Audio + Video	12 cm	Approx. 74 Minutes
Music CD		Audio	12 cm	Approx. 74 Minutes

* Two-layer DVD disc compatible

Discs that cannot be played

DVD-ROMs, DVD-RAMs, CD-ROMs (excluding MP3/WMA/AAC/WAV files), photo CDs, etc.

DualDisc

This unit is not compatible with DualDisc.

Using a DualDisc may cause unit malfunction, and may cause disc damage when the disc is inserted/ejected.

DVD region number (playable region number)

This DVD player will play back any disc whose region number is 1 (or All). DVDs with a region number other than those listed below, cannot be played on this DVD player.



Video CDs

This DVD unit is compatible with playback control (PBC) compatible video CDs (version 2.0).

“PBC” is a function by which you can use menu screens recorded on the disc to find the scene you want to watch and view various types of information in dialog style.

Using compact discs (CD/CD-R/CD-RW)

If you use unspecified compact discs, correct performance cannot be guaranteed.

You can play CD-Rs (CD-Recordable)/CD-RWs (CD-ReWritable) which have been recorded only on audio devices.

You can also play CD-Rs/CD-RWs containing MP3/WMA/AAC/WAV formatted audio files.

- Some of the following discs may not play on this unit:
Flawed discs, discs with fingerprints, discs exposed to extreme temperatures or sunlight (e.g., left in the car or this unit), discs recorded under unstable conditions, discs on which a recording failed or a re-recording was attempted, copy-protected CDs which do not conform to the audio CD industry standard.
- Use discs with MP3/WMA/AAC/WAV files written in a format compliant with this unit. For details, MP3/WMA/AAC: see page 18, WAV: see page 23.

To customers using CD-R/CD-RW

- If a CD-R/CD-RW cannot be played back, make sure the last recording session was closed (finalized).
- Finalize the CD-R/CD-RW if necessary, and attempt playback again.

Tips for making your own CDs

The DVE-5300 plays DVD Video, Video CD, Audio CD and has a built in MP3/WMA/AAC decoder.

The following information is designed to help you create your own music CDs (either Audio CD or MP3/WMA/AAC encoded CD-R/RW files).

What is the difference between an Audio and MP3/WMA/AAC CD?

An Audio CD is the same format as the commercial CDs you buy in the store (also known as CD-DA). MP3 (MPEG-1 Audio Layer 3)/WMA (Windows Media Audio)/AAC (Advanced Audio Coding) is a data file that uses a compression scheme to reduce the size of the music file.*

Hybrid Audio CD and Data (MP3/WMA/AAC) CD-R/RW discs:

The DVE-5300 can read either sector on the disc. Choose CD-DA to play the CD audio section or MP3/WMA/AAC to play the MP3/WMA/AAC section.*

Multi session CD-R/RW:

Once a recording has been stopped, this is considered one session. If the disc is not closed (finalize), additional data may be added. Once this additional data has been recorded, this becomes a "multi-session" CD. The DVE-5300 can only read multi-session DATA Formatted discs (MP3/WMA/AAC files - Not Audio CD files).

Properly formatted MP3/WMA/AAC Discs:

Use ISO9660 formatting to insure proper playback. You may use standard ISO naming Level 1 (8.3 DOS standard), Level 2 (32 characters) or Joliet (Windows or Macintosh long filenames) file naming conventions.*

* Please consult the Owner's manual for additional information.

On handling compact discs (CD/CD-R/CD-RW)

- Do not touch the surface.
- Do not expose the disc to direct sunlight.
- Do not affix stickers or labels.
- Clean the disc when it is dusty.
- Make sure that the disc is smooth and flat.
- Do not use commercially available disc accessories.

Do not leave the disc in the car or the unit for a long time. Never expose the disc to direct sunlight.

Heat and humidity may damage the disc and you may not be able to play it again.

Using DVD-Rs/DVD-RWs/DVD+Rs/DVD+RWs

- This unit is compatible with discs recorded in the standard DVD-Video format.
- Note that discs not finalised (processed to enable to play on playback-only DVD players) cannot be played on this DVD player.
- Some discs may not play back, depending on the recording device and disc format.
- Discs or files utilising copy protection, may not be playable. Some recording systems may not properly format copied files to enable proper playback.
- In the following cases, the disc may not play on this unit: discs recorded by certain DVD recorders, certain irregular discs, flawed discs, dirty discs, when the pickup lens of this DVD player is dirty, or when moisture condensation has occurred inside the unit.
- Be sure to follow all cautions included with your DVD-Rs/DVD-RWs/DVD+Rs/DVD+RWs discs.
- Do not put stickers, seals, or tape on the label side of DVD-Rs/DVD-RWs/DVD+Rs/DVD+RWs.
- Compared to the regular discs, DVD-Rs/DVD-RWs/DVD+Rs/DVD+RWs are more affected by heat, moisture, and direct sunlight. If left in a car, etc., damage may occur and it might not play on this unit.

Disc terminology

Title

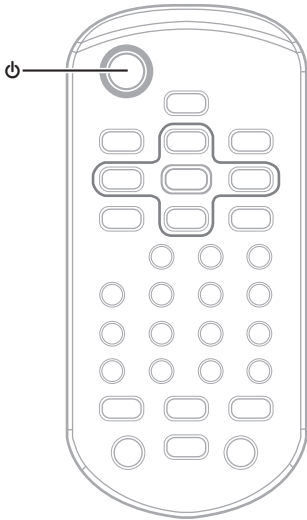
If titles are programmed for the DVD, these are the largest units of division of the information recorded on the disc.

Chapter

Each Title may also be divided into smaller divisions, called chapters. These can be specific scenes or musical selections.

- *This product incorporates copyright protection technology that is protected by method claims of certain U.S. patents and other intellectual property rights owned by Macrovision Corporation and other rights owners. Use of this copyright protection technology must be authorized by Macrovision Corporation, and is intended for home and other limited viewing uses only unless otherwise authorized by Macrovision Corporation. Reverse engineering or disassembly is prohibited.*
- *The terms HDMI and HDMI High-Definition Multimedia Interface, and the HDMI Logo are trademarks or registered trademarks of HDMI Licensing, LLC in the United States and other countries.*
- *Manufactured under license from Dolby Laboratories. Dolby, Pro Logic and the double-D symbol are trademarks of Dolby Laboratories.*
- *For DTS patents, see <http://patents.dts.com>. Manufactured under license from DTS Licensing Limited. DTS, the Symbol, & DTS and the Symbol together are registered trademarks, and DTS 2.0+Digital Out is a trademark of DTS, Inc. © DTS, Inc. All Rights Reserved.*
- ***DVD** is a trademark of DVD Format/Logo Licensing Corporation.*
- *Windows Media and the Windows logo are trademarks, or registered trademarks of Microsoft Corporation in the United States and/or other countries.*
- *MPEG Layer-3 audio coding technology licensed from Fraunhofer IIS and Thomson. Supply of this product only conveys a license for private, non-commercial use and does not convey a license nor imply any right to use this product in any commercial (i.e. revenue-generation) real time broadcasting (terrestrial, satellite, cable and/or any other media), broadcasting/streaming via internet, intranets and/or other networks or in other electronic content distribution systems, such as pay-audio or audio-on-demand applications. An independent license for such use is required. For details, please visit <http://www.mp3licensing.com>*

Getting Started



When Using the Remote Control

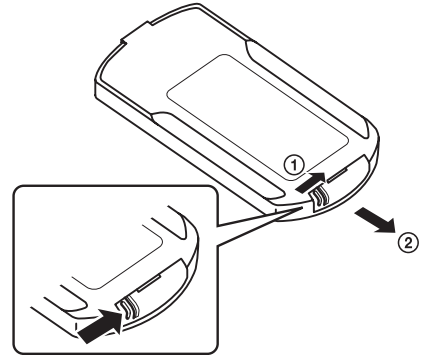
- When you first use the remote control, please remove the insulation sheet in the battery case.
- Point the remote control at the remote sensor within about 2 meters.
- It may not be possible to operate the remote control if the remote control sensor is exposed to direct sunlight.
- The remote control is a small, lightweight precision device. To avoid damage, short battery life, operational errors and poor response, observe the following.
 - Do not subject the remote control to excessive shock.
 - Do not put in a trouser pocket.
 - Keep away from food, moisture and dirt.
 - Do not place in direct sunshine.

Battery Replacement

Battery type: CR2025 battery or equivalent.

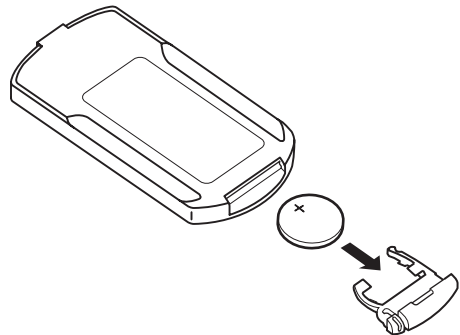
1 Opening the battery case

Slide out the battery cover while firmly pressing in the direction of the arrow.



2 Replacing the battery

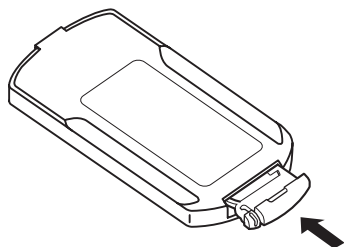
Put the battery in the case with the (+) indication upward as shown in the illustration.



- *Placing a battery in backwards way may cause a malfunction.*

3 Closing the cover

Slide the cover as illustrated until a click is heard.



Warning

DO NOT OPERATE ANY FUNCTION THAT TAKES YOUR ATTENTION AWAY FROM SAFELY DRIVING YOUR VEHICLE.

Any function that requires your prolonged attention should only be performed after coming to a complete stop. Always stop the vehicle in a safe location before performing these functions. Failure to do so may result in an accident.

Turning Power On and Off

Play Position Memory Function

If you turn power off or switch the ignition key to OFF during playback, playback will continue from the point where playback stopped when the power is turned ON again. The play position memory is canceled when the disc is removed.

1 Press of the remote control.

The power turns on.

2 To turn the power off, press again.

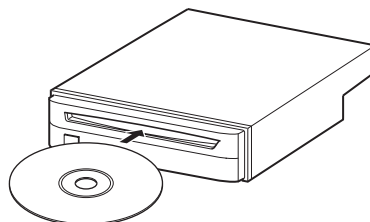
Loading and Unloading Discs


Turn on the power before loading and unloading discs. (Refer to “Turning Power On and Off” on page 10.)

Loading discs

Insert the disc with the label side facing upwards.

Once the disc is partially inserted, it is drawn in automatically. Playback starts.

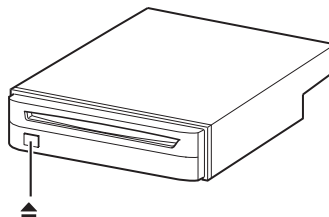



- If the ignition key is on ACC or ON, a disc can be inserted even when the power is OFF.
- For two-sided DVDs, play one side of the disc to the end, then unload the disc, turn it over and reload it to play the other side.
- Never insert map discs for navigation purposes as they could damage the equipment.
- If wrong disc, upside-down discs or dirty discs have been inserted, “DISC ERROR” is displayed. Press  and eject the disc.

Unloading discs

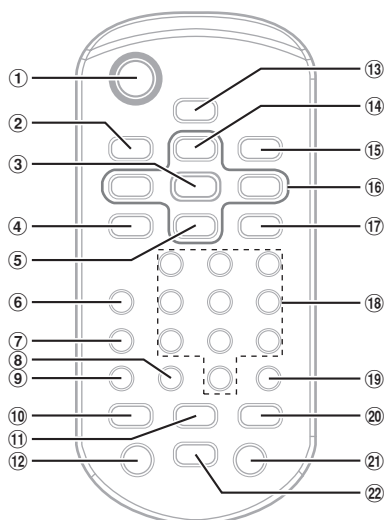
Press .

Be sure to remove the disc.



- If the disc is not removed within a few moments, it will be reloaded automatically.
- If the ignition key is set to ACC or ON, a disc can be removed even when the power is OFF. After removing the disc, the power turns OFF again automatically.
- During ACC OFF or while the disc is being loaded (“LOADING” is displayed), the disc will not be ejected even if you press .

Operating the DVE-5300 Video Player



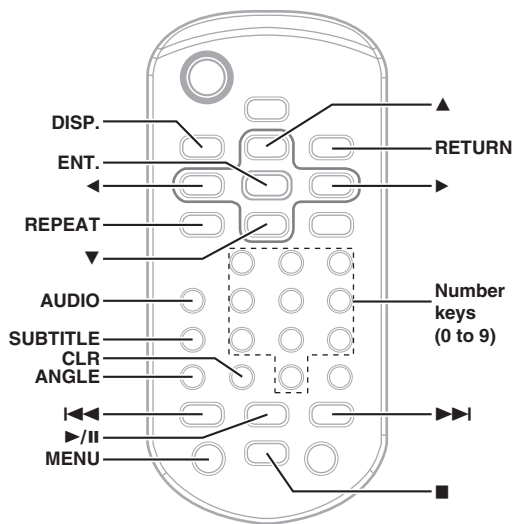
- ① **⏻ (POWER) button**
Turns the power ON and OFF.
- ② **DISP. button**
Displays playback status on the screen.
- ③ **ENT. button**
Determines the selected item.
- ④ **REPEAT button**
Repeats playback.
- ⑤ **▼ button**
Selects MP3/WMA/AAC/WAV folders.
- ⑥ **AUDIO button**
Video CD: Switches the audio output.
DVD: Switches the audio language.
- ⑦ **SUBTITLE button**
Switches the subtitle (DVD only).
- ⑧ **CLR (ALL CLR) button**
Removes numbers (one character at a time) that have been selected and input.
Press and hold for 2 seconds. All the characters which were selected and input are erased.
- ⑨ **ANGLE button**
Switches the angle (DVD only).
- ⑩ **⏮ button**
CD mode: Press the button to go back to the beginning of the current track. Press and hold to fast reverse.
MP3/WMA/AAC/WAV mode: Press the button to go back to the beginning of the current file. Press and hold to fast reverse.
DVD/Video CD mode:
 - Move to the desired position on the disc.
 - During playback, press and hold for more than 1 second to reverse the disc at double speed. Hold for more than 5 seconds to reverse the disc at 8 times the normal speed. Hold for more than 10 seconds to reverse the disc at 32 times the normal speed.

- The picture is reversed by one frame each time the button is pressed in the pause mode (DVD only).

- ⑪ **▶/⏸ button**
Switches between play and pause.
- ⑫ **MENU button**
Video CD: Switches between PBC On and Off.
DVD: Displays the DVD menu.
- ⑬ **SETUP button**
Displays the SETUP (initial setting) screen.
 - Please setup before insert the disc or during stop status.
- ⑭ **▲ button**
Selects MP3/WMA/AAC/WAV folders.
- ⑮ **RETURN button**
Returns to the selection screen just prior to the current screen.
- ⑯ **▼, ▲, ◀, ▶ buttons**
Selects the items displayed on the screen.
- ⑰ **M.I.X. button**
M.I.X. play for CDs and MP3/WMA/AAC/WAV.
- ⑱ **Numeric Keypad**
Inputs numbers.
- ⑲ **LIST button**
MP3/WMA/AAC/WAV Folder and File Search.
- ⑳ **⏭ button**
CD mode: Press the button to advance to the beginning of the next track. Press and hold to fast forward.
MP3/WMA/AAC/WAV mode: Press the button to advance to the beginning of the next file. Press and hold to fast forward.
DVD/Video CD mode:
 - Move to the desired position on the disc.
 - During playback, press and hold for more than 1 second to forward the disc at double speed. Hold for more than 5 seconds to forward the disc at 8 times the normal speed. Hold for more than 10 seconds to forward the disc at 32 times the normal speed.
 - The picture is forwarded by one frame each time the button is pressed in the pause mode.
- ㉑ **TOP M. button**
Displays the Top Menu (DVD only).
- ㉒ **■ button**
Stops the playback.

- Operation may not be possible depending on the type of disc and the playback conditions. At such a time the following mark is displayed on the screen: ⓪

DVD/Video CD



Playing DVD/Video CD

Caution

- Not all functions will operate for every DVD. See the individual DVD's instructions for details on the features supported.
- Fingerprints on a disc may adversely affect playback. If a problem occurs, remove the disc and check for fingerprints on the playback side. Clean the disc if necessary.
- When using the remote control, be careful to press one button at a time. Pressing multiple buttons at the same time may cause erroneous operation.
- If you switch the power or ignition key OFF during playback, playback will continue where you left off when you resume playback.
- If you try to perform an invalid operation (based on the type of disc being played), the following mark is displayed on the monitor screen: ⓪

Insert a disc with the label side facing up.

To load discs, see "Loading and Unloading Discs" on page 10. Playback starts.

- The reverse side of a double-sided DVD will not be played automatically. Remove the disc, turn it over, and reinsert it.
- It may take some time before playback starts after loading a disc.

If a menu screen appears

On DVDs and video CDs with playback control (PBC), menu screens may appear automatically. If this happens, perform the operation described below to start playback.

- For many discs, the menu screen can also be displayed by pressing **MENU**.

DVD menu

Press **▲**, **▼**, **◀** or **▶** to select the desired item, then press **ENT**.

- For some discs it is possible to select items directly from the menu screen using the **number keys** ("0" to "9").

Video CD menu

Use the **number keys** ("0" to "9") to select the desired number, then press **ENT**.

- The menu screen does not appear when the PBC function is turned off. In this case, press **MENU** to turn on the PBC function.

Stopping Playback

Press **■** during playback.

"STOP" is displayed, and playback stops.

- Playback starts from the beginning when **▶/II** is pressed while playback is stopped.

Fast-forwarding/Fast-reversing

1 During playback, press and hold **◀◀** (fast-reverse) or **▶▶** (fast-forward).

When pressed for more than 1 second, the disc is forwarded/reversed at double speed.

When held for 5 more seconds, the disc is forwarded/reversed at 8 times the normal speed.

When held for 10 more seconds, the disc is forwarded/reversed at 32 times the normal speed.

2 Release **◀◀** or **▶▶** to return to normal playback.

- No sound appears during fast-forward/fast-reverse.

- For DVDs and video CDs with playback control (PBC), the menu screen may reappear during fast-forwarding/fast-reversing.

- This operation may not be possible on certain discs.

Finding the Beginning of Chapters or Tracks

During playback, press ◀◀ or ▶▶.

The chapter/track switches each time the button is pressed, and playback of the selected chapter/track starts.

- ▶▶: Press this to start playback from the beginning of the following chapter or track.
- ◀◀: Press this to start playback from the beginning of the current chapter or track.
Press ◀◀ repeatedly to start playback from the beginning of a previous chapter or track.

- Some DVDs do not have chapters.
- The beginning of a track may not be found on the Video CD equipped with PBC (playback control). Press **MENU** to turn the PBC function off.

Supplementary explanation

"Chapters" are divisions of movies or musical selections on DVDs.
"Tracks" are divisions of movies or musical selections on video and music CDs.

Playing Still Frames (pausing)

1 During playback, press ▶/II.

2 Press ▶/II to resume playback.

- No sound is played during the still mode.
- The image or sound may stop temporarily when playback starts from the pause mode. This is not a malfunction.

Frame-by-frame Playback

1 In the pause mode, press ◀◀ or ▶▶.

The picture advances or reverses by one frame each time the button is pressed.

2 Press ▶/II to resume normal playback.

- No sound is played during frame-by-frame playback.
- For video CD, reverse frame-by-frame playback is not available.

Searching by Title Number (DVD only)

Use this function to easily find positions on the DVD using the DVD's title.

1 When playback stops, input the number of the title you want to play using the number keys ("0" to "9").

2 Press ENT.

Playback starts from the selected title number.

- This function cannot be used on discs on which no title numbers are recorded.
- Press **CLR** to delete the last digit in the title number. Press and hold **CLR** for at least 2 seconds to clear all title numbers.
- Press **RETURN** to cancel the title search mode.
- Depending on the number of digits input, playback may start automatically even if **ENT.** is not pressed in step 2.

Searching Directly by Chapter or Track Number

Use this function to easily move to the beginning of the chapters or tracks on the disc.

1 During playback, input the number of chapter or track you desire by using the number keys ("0" to "9").

2 Press ENT.

Playback starts from the selected chapter or track.

- This function cannot be used on discs on which no chapter numbers are recorded.
- The beginning of a track number may not be directly found on the Video CD equipped with PBC (playback control). Press **MENU** to turn the PBC function off.
- Depending on the number of digits input, playback may start automatically even if **ENT.** is not pressed in step 2.
- Press **CLR** to delete the last digit in the chapter/track number. Press and hold **CLR** for at least 2 seconds to clear "Chapter" and "Track" numbers.
- Press **RETURN** to cancel the chapter/track search mode and resume normal playback.

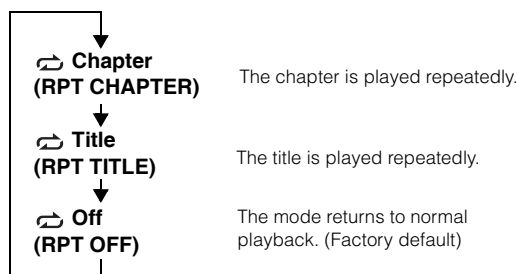
Chapter/Track/Title Repeat Playback

Use this function to play the disc's titles, chapters or tracks repeatedly.

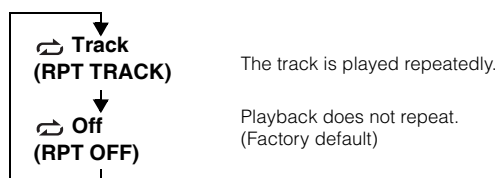
During playback, press **REPEAT**.

The repeat mode switches each time the button is pressed.

DVD



VIDEO CD



- The track/disc repeat modes cannot be used on video CDs with playback control (PBC). Press **MENU** to turn the PBC function off.
- For some discs it is not possible to switch the repeat mode.

Switching the Audio Tracks

DVDs can have up to 8 different audio tracks. These alternate tracks can be switched during playback.

During playback, press **AUDIO**.

The sound switches between the alternate audio tracks recorded on the disc each time the button is pressed.

- The selected alternate track becomes the default setting every time the power is turned on or the disc is replaced. If the disc does not include that track, the disc's default language is selected instead.
- Not all discs will allow changing the alternate audio tracks during playback. In these cases, select audio tracks from the DVDs menu.
- There may be a delay before the selected alternate track begins to play.

Video CDs with multiplex audio

During playback, press **AUDIO**.

The left and right channels will be output as shown in the figure below, each time the button is pressed.

LR → LL → RR → LR

Switching the Angle (DVD only)

On DVDs in which scenes have been filmed from multiple angles, the angle can be switched during playback.

During playback, press **ANGLE**.

The angle switches between the angles recorded on the disc each time the button is pressed.

- Some time may be required for the angle to change.
- Depending on the disc, the angle may switch in one of two ways.
 - Seamless: The angle switches smoothly.
 - Non-seamless: When the angle is switched, a still picture is displayed first, after which the angle switches.

Switching the Subtitles (subtitle language) (DVD only)

With multiple subtitle language DVDs, the subtitle language can be switched during playback, or subtitles can be hidden.

During playback, press **SUBTITLE**.

The subtitle switches between the languages recorded on the disc and OFF each time the button is pressed.

- There may be a delay before the selected subtitle appears.
- Not all discs will allow changing the subtitles during playback. In these cases, select subtitles from the DVD's menu.
- The selected subtitle language becomes the default setting every time the power is turned on or the disc is replaced. If the disc does not include that language, the disc's default language is selected instead.
- For some discs, the subtitles will be displayed even when this is set to off.

Tips

Switching from the disc menu

For some discs, the audio language, angle and subtitles can be switched from the disc menu.

- 1 Press **MENU**, select the item, then press **ENT**.
- 2 Press **▲**, **▼**, **◀** or **▶** to select the language or angle, then press **ENT**.

(For some discs, they can be selected using the number keys ("0" to "9") while the language or the angle menu is displayed.)

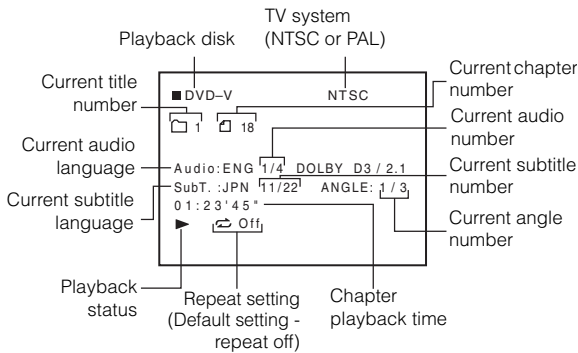
Displaying the Disc Status (DVD only)

Use the procedure described below to display the status (title number, chapter number, etc.) of the currently playing DVD on the monitor screen.

During playback, press **DISP**.

The playback status is displayed.

The playback status display closes when pressed **DISP**. again.



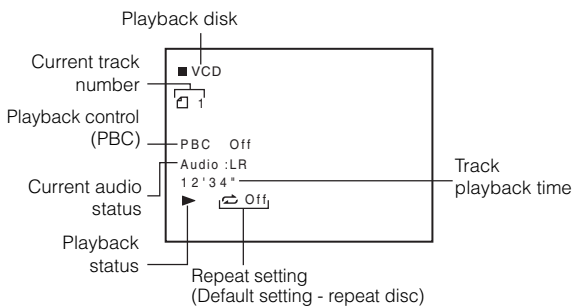
Displaying the Disc Status (Video CD only)

Use the procedure described below to obtain an on-screen display of the status (track number, etc.) of the currently playing video CD on the monitor screen.

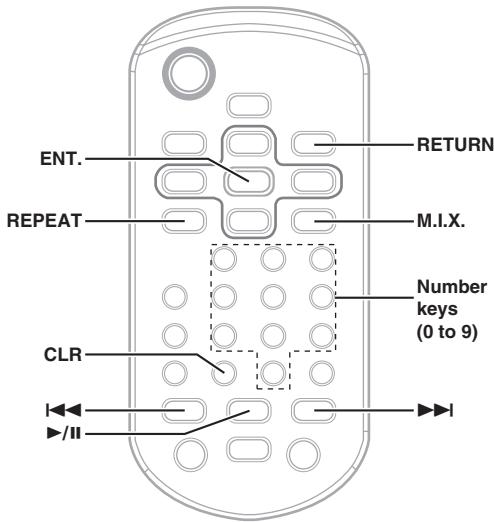
During playback, press **DISP**.

The playback status is displayed.

The playback status display closes when pressed **DISP**. again.



- When PBC is set to On, the current track number and track playback time is not displayed.



Playback

1 Insert a disc with the label side facing up.

To load discs, see "Loading and Unloading Discs" on page 10.

Playback starts.

2 During playback, press I<<< or >>> to select the desired track.

Returning to the beginning of the current track :

Press I<<<.

Press I<<< repeatedly to start playback from the beginning of a previous track.

Fast backward :

Press and hold I<<<.

Advancing to the beginning of the next track :

Press >>>.

Fast forward :

Press and hold >>>.

3 To pause playback, press >/||.

Pressing >/|| again will resume playback.

- CD playback information (track no., TEXT etc.) will be displayed on the monitor during playback.

M.I.X. (Random Play)

Press M.I.X. in the play or pause mode.

The tracks on the disc will be played back in random sequence.

To cancel M.I.X. play, press M.I.X. again.

- If the M.I.X. mode is activated during Repeat playback, the Repeat Play mode will be canceled.

Repeat Play

Press REPEAT to play back repeatedly the track being played.

The track will be played repeatedly.

Press REPEAT again and select OFF to deactivate repeat play.

- If the Repeat Play mode is activated during M.I.X. playback, the M.I.X. mode will be canceled.

Searching Directly by Track Number

Use this function to easily move to the beginning of the tracks on the disc.

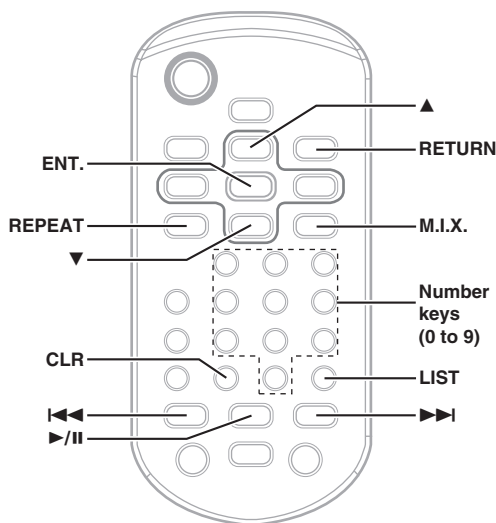
1 Input the number of track you desire by using the number keys ("0" to "9").

2 Press ENT.

Playback starts from the selected track.

- Depending on the number of digits input, playback may start automatically even if ENT. is not pressed in step 2.
- Press CLR to delete the last digit in the track number. Press and hold CLR for at least 2 seconds to clear "Track" numbers.
- Press RETURN to cancel the track search mode and resume normal playback.

MP3/WMA/AAC/WAV



Playback

The DVE-5300 will play back MP3/WMA/AAC/WAV files stored on CD-Rs and CD-RWs. The format used must be compliant with ISO9660 level 1 or level 2.

For further information about playing or storing MP3/WMA/AAC files, refer to page 18 before using the unit.

1 Insert a disc containing an MP3/WMA/AAC/WAV file with the label side facing up.

To load discs, see "Loading and Unloading Discs" on page 10.

2 Press I<<< or >>>I to select the desired track.

Returning to the beginning of the current track :

Press I<<<.

Press I<<< repeatedly to start playback from the beginning of a previous track.

Fast backward :

Press and hold I<<<.

Advancing to the beginning of the next track :

Press >>>I.

Fast forward :

Press and hold >>>I.

3 To pause playback, press >/II.

Pressing >/II again will resume playback.

- MP3/WMA/AAC/WAV playback information (folder no., file no., tag information, etc.) will be displayed on the monitor during playback.
- The unit can play discs containing audio data and MP3/WMA/AAC/WAV data.
- For MP3/WMA/AAC/WAV discs, some time may be required until playback starts.
- Some discs will not play back depending on the writing or MP3 conversion software used for the disc. In that case, try other software.
- Any file protected by DRM (Digital Rights Management) copy protection, cannot be played back on this unit.
- During playback of a VBR (Variable Bit rates) file, the file or elapsed time may not be correctly displayed.

Selecting Folders

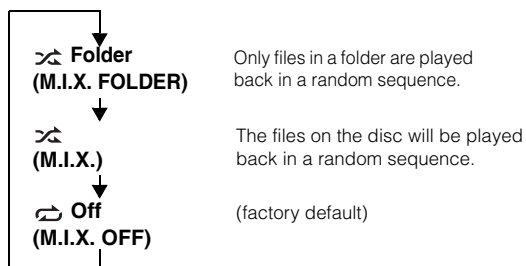
Press ▲ or ▼ to select the folder.

- If ▲ is pressed during M.I.X. disc playback, new files will be played back in a random sequence. If ▼ is pressed, the beginning of the current file will be played back.

M.I.X. (Random Play)

Press M.I.X. in the play or pause mode.

The M.I.X. mode switches each time the button is pressed.



Only files in a folder are played back in a random sequence.

The files on the disc will be played back in a random sequence.

(factory default)

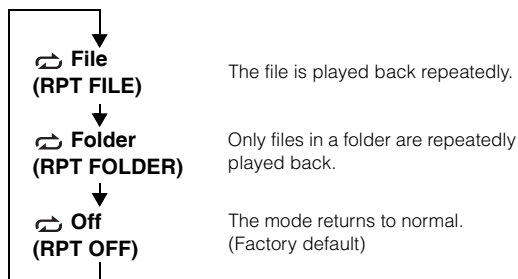
Press M.I.X. to deactivate the M.I.X. play.

- If the M.I.X. mode is activated during Repeat playback, the Repeat Play mode will be canceled.

Repeat Play

During playback, press REPEAT.

The repeat mode switches each time the button is pressed.



The file is played back repeatedly.

Only files in a folder are repeatedly played back.

The mode returns to normal. (Factory default)

Press REPEAT again and select Off (RPT OFF) to deactivate the repeat play.

- If the Repeat Play mode is activated during M.I.X. playback, the M.I.X. mode will be canceled.

Folder/File Name Search

You can display the names of folders/files and search for a folder/file to play.

- 1 Press LIST during playback.**
The Folder Name list is displayed.
 - 2 Press ▲ or ▼ to select a folder name, then press ENT.**
The File Name list of the selected folder is displayed.
 - 3 Press ▲ or ▼ to select a file name, then press ENT.**
The selected file is played back.
- When there are 9 or more names on the list, a page number is displayed. Press ◀ or ▶ to change the page.
 - Press RETURN to deactivate the Search mode during the Folder Name Search mode.
 - While in File Name Search mode, press RETURN to switch to Folder Name Search mode.
 - While in Folder Name Search/File Name Search mode, press LIST to cancel the Folder Name Search/File Name Search mode.

Searching Directly by File Number

Use this function to easily move to the beginning of the files on the disc.

- 1 Input the number of file you desire by using the number keys (“0” to “9”).**
 - 2 Press ENT.**
Playback starts from the selected file.
- Depending on the number of digits input, playback may start automatically even if ENT is not pressed in step 2.
 - Press CLR to delete the last digit in the file number.
 - Press and hold CLR for at least 2 seconds to clear “File” numbers.
 - Press RETURN to cancel the file search mode and resume normal playback.

About MP3/WMA/AAC

CAUTION

Except for private use, duplicating audio data (including MP3/WMA/AAC data) or distributing, transferring, or copying it, whether for free or for a fee, without permission of the copyright holder is strictly prohibited by the Copyright Act and by international treaty.

What is MP3?

MP3, whose official name is “MPEG Audio Layer 3”, is a compression standard prescribed by the ISO, the International Standardisation Organisation and MPEG which is a joint activity institution of the IEC.

MP3 files contain compressed audio data. MP3 encoding is capable of compressing audio data at extremely high ratios, reducing the size of music files to as much as one-tenth their original size. This is achieved while still maintaining near CD quality. The MP3 format realizes such high compression ratios by eliminating the sounds that are either inaudible to the human ear or masked by other sounds.

What is WMA?

WMA, or “Windows Media™ Audio”, is compressed audio data. WMA is similar to MP3 audio data.

What is AAC?

AAC is the abbreviation for “Advanced Audio Coding”, and is a basic format of audio compression used by MPEG2 or MPEG4.

Method for creating MP3/WMA/AAC files

Audio data is compressed using software with MP3/WMA/AAC codecs. For details on creating MP3/WMA/AAC files, refer to the user’s manual for that software.

MP3/WMA/AAC files that are playable on this device have the file extensions.

MP3: “mp3”

WMA: “wma” (ver. 7.x, 8.x, 9.x are supported)

AAC: “m4a”

WMA is not supported for the following files, Windows Media Audio Professional, Windows Media Audio 9 Voice or Windows Media Audio 9 Pro Lossless.

There are many different versions of the AAC format. Confirm that the software being used conforms to the acceptable formats listed above. It’s possible that the format may be unplayable even though the extension is valid.

Playback of AAC files encoded by iTunes is supported.

Supported playback sampling rates and bit rates

MP3

Sampling rates: 48 kHz, 44.1 kHz, 32 kHz, 24 kHz, 22.05 kHz, 16 kHz, 12 kHz, 11.025 kHz, 8 kHz

Bit rates: 8 - 320 kbps

WMA

Sampling rates: 48 kHz, 44.1 kHz, 32 kHz, 22.05 kHz, 16 kHz, 11.025 kHz, 8 kHz

Bit rates: 8 - 320 kbps

AAC

Sampling rates: 48 kHz, 44.1 kHz, 32 kHz, 24 kHz, 22.05 kHz, 16 kHz, 11.025 kHz, 8 kHz

Bit rates: 8 - 384 kbps

This device may not play back correctly depending on sampling rates.

ID3 tags/WMA tags

This device supports ID3 tag v1.0, v1.1, v2.2, v2.3, v2.4, and WMA tag Ver.1.x. If tag data is in an MP3/WMA/AAC file, this device can display the title (track title), artist name, and album name ID3 tag/WMA tag data (maximum 64 characters).

For non-supported characters, “?” is displayed.

The number of characters may be limited, or not correctly displayed, depending on the tag information.

Producing MP3/WMA/AAC discs

MP3/WMA/AAC files are prepared, then written to a CD-R or CD-RW (DVD-R/DVD-RW/DVD+R/DVD+RW) using CD-R writing software. A disc can hold up to 4,096 files/256 folders (including Root Folders). Playback may not be performed if a disc exceeds the limitations described above.

Media supported

The media that this device can play back are CD-Rs, CD-RWs, DVD-R, DVD-RW, DVD+R and DVD+RW.

Corresponding File Systems

This device supports discs formatted with ISO9660 Level 1 or Level 2.

Under the ISO9660 standard, there are some restrictions to remember.

The maximum nested folder depth is 8 (including the root directory). The number of characters for a folder/file name is limited.

Valid characters for folder/file names are letters A-Z (all caps), numbers 0-9, and '_' (underscore).

This device also can play back discs in Joliet, Romeo, etc., and other standards that conform to ISO9660. However, sometimes the file names, folder names, etc., are not displayed correctly.

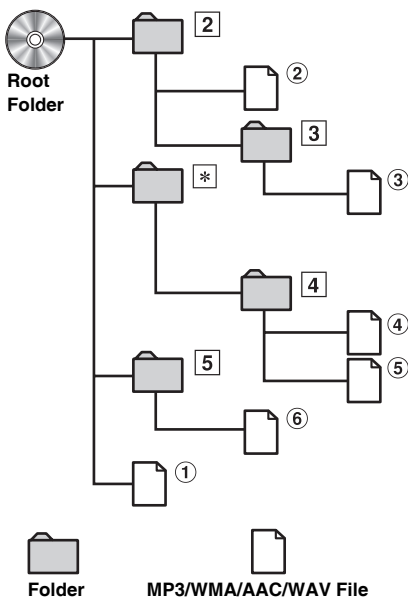
Formats supported

This device supports Mixed Mode CD, Enhanced CD (CD-Extra) and Multi-Session.

This device cannot correctly play back discs recorded with Track At Once or packet writing.

Order of files

Files are played back in the order that the writing software writes them to the disc. Therefore, the playback order may not be what is expected. Verify the writing order in the software's documentation. The playback order of the folders and files is as follows.



* The folder No./folder Name will not be displayed if no file is contained in the folder.

Terminology

Bit rate

This is the "sound" compression rate specified for encoding. The higher the bit rate, the higher the sound quality, but also the larger the files.

Sampling rate

This value shows how many times per second the data is sampled (recorded). For example, music CDs use a sampling rate of 44.1 kHz, so the sound is sampled (recorded) 44,100 times per second.

The higher the sampling rate, the higher the sound quality, but also the larger the volume of data.

Encoding

Converting music CDs, WAVE (AIFF) files, and other sound files into the specified audio compression format.

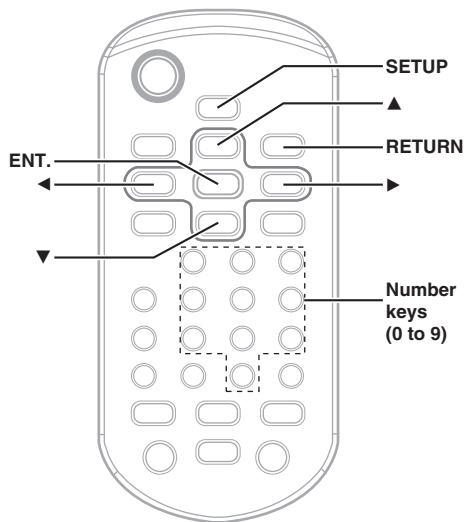
Tag

Song information such as track title, artist names, album names, etc., written into MP3/WMA/AAC files.

Root folder

The root folder (or root directory) is found at the top of the file system. The root folder contains all folders and files. It is created automatically for all burned discs.

DVD Setup

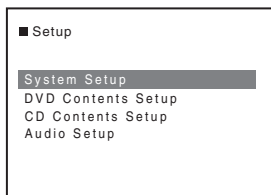


DVD Setup Operation

The following steps 1 to 4 are common operations to each setting item of DVD settings. Refer to each section for details.

1 Press **SETUP** before inserting a disc, or when in stop mode.

The setup menu appears on the monitor.



2 Press **▲** or **▼** to select the desired setup item, then press **ENT.**

Setting items: System Setup / DVD Contents Setup / CD Contents Setup / Audio Setup

3 Select setting items or setting contents you want to change in the selected setup by pressing **▲**, **▼**, **◀**, **▶**, and press **ENT.**

Setting items

System Setup:

Bar Color / TV Screen / Video Delay / Setup Initialize

DVD Contents Setup:

Languages

CD Contents Setup:

CD Play Mode / VCD Play Mode / Auto Display

Audio Setup:

Digital Out / Downmix Mode

4 Press **RETURN** repeatedly to exit setup mode.

- When settings are changed, old settings are overwritten. Make a note of the current settings before making changes. If the vehicle's battery is disconnected, the settings will be cleared and will return to the factory settings.

System Setup

Switching the Bar Color

Select the colors (8) used for highlighting items in the System Setup screen.

Setting item: Bar Color

Setting contents: Blue / Green / Light blue / Amber (Initial setting) / Aqua blue / Yellow / Red / White

Setting the TV Screen

Use the procedure described below to set the output screen according to the type of TV monitor being used.

Setting item: TV Screen

Setting content: Aspect

Further setting contents: 16:9 (Wide) (Initial setting) / 4:3 (Letter Box) / 4:3 (Pan Scan)

- For some discs, the picture may not be set to the selected screen size. (For details, refer to the explanation on the disc's jacket.)
- Press **RETURN** to return to the previous screen.

16 : 9 (Wide)

Select this when connected to a wide screen TV.



4 : 3 LB (Letter Box)

Select this when connected to a conventional 4:3 size (normal TV aspect ratio) monitor. There may be black bands visible at the top and bottom of the screen (when playing a 16:9 size movie). The width of these stripes will depend upon the original aspect ratio of the theater release of the movie.



4 : 3 PAN (Pan Scan)

Select this when connected to a conventional 4:3 size monitor. The picture will fill the entire TV screen. However, due to the mismatch in aspect ratio, parts of the movie at the extreme left and right sides will not be visible (when playing a 16:9 size movie).



Delaying Image Output

Use this function when an external audio processor is connected. Depending on the connected audio processor, the audio and image currently played back may not be output at the same time. In this case, you can output an image delayed by 0.1 second by setting to On.

Setting item: Video Delay

Setting contents: Off (Initial setting) / On

On: Output image is delayed by 0.1 second.

- If a disc with a high compression rate is played back, the image and audio may be distorted.

Returning to the Initial Setting

You can return the contents you previously set to the initial factory settings.

Setting item: Setup Initialize

Setting contents: Yes / No (Initial setting)

Yes: Returns to the initial setting.

No: Does not return to the initial setting.

DVD Contents Setup

Setting the language

The audio language, subtitle language and menu language can be set according to your preferences.

Once set, this becomes the default language. This function is convenient when you always want to listen in English. (Not all discs allow changing the default language. If not, the factory default language applies.)

Setting item: Languages

Setting contents: Audio / Subtitle / Menu

Audio: Set the audio track language.

Subtitle: Set the language of the subtitles displayed on the screen.

Menu: Set the language used for the menus (title menu, etc.).

Further Setting contents:

Auto *1 (Initial setting) / **Off** *2 (Subtitle only) / **English / French / Japanese / Italian / German / Swedish / Spanish / Chinese / Russian / Others** *3

*1 Auto

The disc is played with the audio language or subtitle language set as the priority language for the disc.

*2 Off

Subtitles are not displayed. (Subtitle only)

*3 Others

Set this to play the disc with a language other than one of the languages displayed. Press **ENT.**, then use the numeric keypad ("0" to "9") to input the 4-digit language code. Then press **ENT.** again. For the language codes, refer to "List of Language Codes" (page 25).

- If you change the language setting when the disc is in the unit, the setting is decided with one of the following operations.
 - Disc (disc) eject.
 - Turn OFF the main unit.
 - Switch the source on the head unit.
- To temporarily change the language of the current disc, either do so from the DVD menu or using the operation described in the section "Switching the Audio Tracks" (page 14).
- If the disc does not include the selected language, the disc's default language is set.
- Languages set upon shipment from the factory:
 - Audio language : Auto
 - Subtitle language : Auto
 - Menu language : Auto
- Press **RETURN** to return to the previous display.

CD Contents Setup

Playing MP3/WMA/AAC/WAV Data

Setting item: CD Play Mode

Setting contents: CD-DA (Initial setting) / Compress

This unit can play back CDs containing both CD and MP3/WMA/AAC/WAV data (created in Enhanced CD (CD Extra) format).

CD-DA: Only CD data can be played back.

Compress: Only MP3/WMA/AAC/WAV data can be playedback.

- Perform this setting before inserting a disc. If a disc has already been inserted, remove it first.

Setting the Video CD Play Mode

When playing a Playback Control (PBC) enabled video CD, you can choose to set PBC On or Off.

Setting item: VCD Play Mode

Setting contents: PBC On (Initial setting) / PBC Off

PBC On: The PBC menu is displayed.

PBC Off: The PBC menu is not displayed.

- You can set PBC On or Off directly by pressing **MENU**.

Displaying the Disc Status Automatically (CD/MP3/WMA/AAC/WAV Only)

When playing a CD/MP3/WMA/AAC/WAV file, you can choose to display the Disc Status(track number,etc.) automatically.

Setting item: Auto Display

Setting contents: Off/On (Initial setting)

On: The Disc Status is displayed automatically while playing back.

Off: Disc Status is not displayed automatically while playing back.

Audio Setup

Setting the Digital Output

Use the following procedure to set the digital audio signal output from the DVE-5300.

Setting item: Digital Out

Output Modes: Dolby D / DTS

Setting contents: Bitstream / LPCM (Initial setting)

Bitstream: Select "Bitstream" when you want to connect a digital audio processor to play Dolby Digital or DTS audio. When "Bitstream" is selected, the HDMI audio will be muted. The DVE-5300 optical output must be used for the external processor.

LPCM: The audio signal recorded on the disc is converted to 48 kHz/16 bit (for DVDs) or 44.1 kHz (for video CDs and CDs) linear PCM audio signals for output.

- Pressing **RETURN** will return to the previous screen.

Digital audio output

Disc	Audio recording format		Digital output setting	Optical digital audio output (when a digital audio processor is connected)	Digital audio output (HDMI output)
	Format	Fs			
LPCM (DVD, CD)	48/96kHz	16/20/24bit	Bitstream	LPCM 2ch Down mix (48kHz/16bit)	—
			LPCM		LPCM 2ch Down mix (48kHz/16bit)
	44.1kHz	16bit	Bitstream	LPCM 2ch (44.1kHz/16bit)	—
			LPCM		LPCM 2ch (44.1kHz/16bit)
Dolby Digital (DVD)	48kHz	16/18/20bit	Bitstream	Bit stream (Max 7.1ch)	—
			LPCM	Decoded 2ch Down mix (48kHz/16bit)	Decoded 2ch Down mix (48kHz/16bit)
DTS (DVD, CD)	48/96kHz	16/20/24bit	Bitstream	Bit stream (Max 6.1ch)	—
			LPCM	Decoded 2ch Down mix (48kHz/16bit)	Decoded 2ch Down mix (48kHz/16bit)
	44.1kHz	16/20/24bit	Bitstream	Bit stream (Max 5.1ch)	—
			LPCM	Decoded 2ch Down mix (44.1kHz/16bit)	Decoded 2ch Down mix (44.1kHz/16bit)
MPEG1 (DVD, Video CD)	48kHz	16bit	Bitstream	Bit stream (Max 5.1ch)	—
			LPCM	Decoded 2ch Down mix (48kHz/16bit)	Decoded 2ch Down mix (48kHz/16bit)
	44.1kHz	16bit	Bitstream	Bit stream	—
			LPCM	Decoded 2ch (44.1kHz/16bit)	Decoded 2ch (44.1kHz/16bit)
MPEG2 (DVD)	48kHz	16bit	Bitstream	Bit stream (Max 5.1ch)	—
			LPCM	Decoded 2ch Down mix (48kHz/16bit)	Decoded 2ch Down mix (48kHz/16bit)
MP3/WMA/AAC	8/11.025/12/16/22.05/24/32/44.1/48kHz	16bit	Bitstream	Decoded 2ch (32kHz, 44.1kHz or 48kHz/16bit)	—
			LPCM		Decoded 2ch (32kHz, 44.1kHz or 48kHz/16bit)
WAV	44.1kHz	16bit	Bitstream	Decoded 2ch (44.1kHz/16bit)	—
			LPCM		Decoded 2ch (44.1kHz/16bit)

Setting the Downmix Mode

This function applies to Dolby Digital, DTS stream sound.

Setting item: Downmix Mode

Setting contents: Stereo (Initial setting) / Surround Encoded

Stereo: Stereo Downmix.

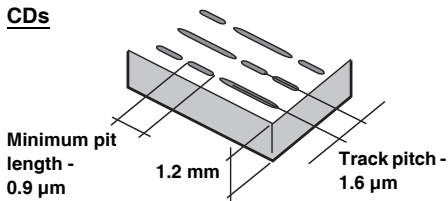
Surround Encoded: Surround compatible Downmix.

Information

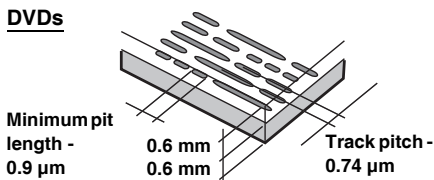
About DVDs

Music CDs and DVDs have grooves (tracks) in which the digital data is recorded. The data is represented as microscopic pits recorded into the track – these pits are read by a laser beam to play the disc. On DVDs, the density of the tracks and pits is twice that of CDs, so DVDs can contain more data in less space.

CDs



DVDs



A 12 cm disc can contain one movie or about four hours of music. In addition, DVDs provide sharp picture quality with vivid colors thanks to a horizontal resolution of over 500 lines (compared to less than 300 for VHS tape). With the addition of an optional, digital audio processor (PXA-H800, etc.), you can recreate the power and presence of a movie theater with Dolby Digital 5.1-channel Surround.

In addition, DVDs offer a variety of functions.

- **Multiple audio*** (page 14)
Movies can be recorded in up to eight languages. The desired language can be selected from the remote control.
- **Multi angle function*** (page 14)
When the DVD contains a movie shot from multiple angles, the desired angle can be selected from the remote control.
- **Subtitles function*** (page 14)
Movies can include subtitles in up to 32 languages. The desired subtitle language can be selected from the remote control.
- **Multi story function***
With this function, a single movie includes various story lines. You can select different story lines to view various versions of the same movie.
Operation differs from disc to disc. Story line selection screens including instructions appear during the movie. Just follow the instructions.

* *The functions, audio languages, subtitle languages, angles, etc., differ from disc to disc. For details, refer to the disc's instructions.*

About WAV

WAV, whose official name is "WAVE FORMAT" is a standard format of Windows[®] audio file.

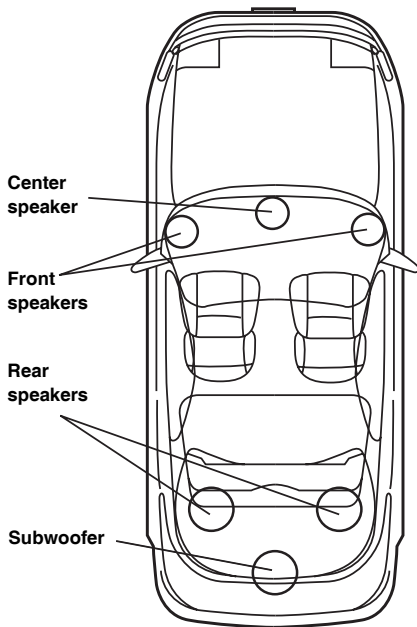
- Extension: ".wav"
- Sampling rate: 44.1 kHz
- Quantization bit number: 16
- Channel number: up to 2ch
- Format: PCM only

Terminology

Dolby Digital

Dolby Digital is a digital audio compression technology developed by Dolby Laboratories that allows large quantities of audio data to be efficiently recorded on discs. It is compatible with audio signals from mono (1 channel) all the way up to 5.1-channel surround sound. The signals for the different channels are completely independent, and since the sound is high quality digital there is no loss of sound quality.

* *The separately sold digital audio processor (PXA-H800, etc.) is required to enjoy full 5.1-channel surround sound.*



Speaker layout for enjoying Dolby Digital sound/dts sound

DTS

This is a home-use digital sound format of the DTS Sound System. This is a high quality sound system, developed by Digital Theater Systems, Inc. for use in movie theaters. DTS has six independent sound tracks. The theater presentation is fully realized in the home, etc. DTS is the abbreviation for Digital Theater System.

* *To enjoy DTS surround sound you need the separately sold DTS digital audio processor (PXA-H800, etc.). The DVD video software must also have a DTS sound track.*

Dolby Pro Logic

Dolby Pro Logic is the technology used to decode programs encoded in Dolby Surround. Pro Logic decoding will provide you with four channels of sound (front left/right, center and monaural rear surround) from a 2-channel (stereo) source.

* *The separately sold digital audio processor (PXA-H800, etc.) is required to enjoy Dolby Pro Logic surround sound.*

Dolby Pro Logic II

Dolby Pro Logic II plays 2-channel sources in 5 channels over the entire frequency range.

This is done with an advanced, high sound quality matrix surround decoder which draws out the spatial properties of the original recording without adding any sounds to or changing the sound of the source.

* *The separately sold digital audio processor (PXA-H800, etc.) is required to enjoy Dolby Pro Logic II surround sound.*

Linear PCM audio (LPCM)

LPCM is a signal recording format used for music CDs. Whereas music CDs are recorded at 44.1 kHz/16 bits, DVDs are recorded at 48 kHz/16 bits to 96 kHz/24 bits, thereby achieving higher sound quality than music CDs.

List of Language Codes

(For details, see page 21.)

Abbreviation	Code	Language	Abbreviation	Code	Language	Abbreviation	Code	Language
AA	6565	Afar	IE	7369	Interlingue	RN	8278	Kirundi
AB	6566	Abkhazian	IK	7375	Inupiak	RO	8279	Romanian
AF	6570	Afrikaans	IN	7378	Indonesian	RU	8285	Russian
AM	6577	Amharic	IS	7383	Icelandic	RW	8287	Kinyarwanda
AR	6582	Arabic	IT	7384	Italian	SA	8365	Sanskrit
AS	6583	Assamese	IW	7387	Hebrew	SD	8368	Sindhi
AY	6589	Aymara	JP	7465	Japanese	SG	8371	Sangho
AZ	6590	Azerbaijani	JL	7473	Yiddish	SH	8372	Serbo-Croatian
BA	6665	Bashkir	JW	7487	Javanese	SI	8373	Singhalese
BE	6669	Byelorussian	KA	7565	Georgian	SK	8375	Slovak
BG	6671	Bulgarian	KK	7575	Kazakh	SL	8376	Slovenian
BH	6672	Bihari	KL	7576	Greenlandic	SM	8377	Samoan
BI	6673	Bislama	KM	7577	Cambodian	SN	8378	Shona
BN	6678	Bengali, Bangla	KN	7578	Kannada	SO	8379	Somali
BO	6679	Tibetan	KO	7579	Korean	SQ	8381	Albanian
BR	6682	Breton	KS	7583	Kashmiri	SR	8382	Serbian
CA	6765	Catalan	KU	7585	Kurdish	SS	8383	Siswati
CO	6779	Corsican	KY	7589	Kirghiz	ST	8384	Sesotho
CS	6783	Czech	LA	7665	Latin	SU	8385	Sundanese
CY	6789	Welsh	LN	7678	Lingala	SV	8386	Swedish
DA	6865	Danish	LO	7679	Laothian	SW	8387	Swahili
DE	6869	German	LT	7684	Lithuanian	TA	8465	Tamil
DZ	6890	Bhutani	LV	7686	Latvian, Lettish	TE	8469	Telugu
EL	6976	Greek	MG	7771	Malagasy	TG	8471	Tajik
EN	6978	English	MI	7773	Maori	TH	8472	Thai
EO	6979	Esperanto	MK	7775	Macedonian	TI	8473	Tigrinya
ES	6983	Spanish	ML	7776	Malayalam	TK	8475	Turkmen
ET	6984	Estonian	MN	7778	Mongolian	TL	8476	Tagalog
EU	6985	Basque	MO	7779	Moldavian	TN	8478	Setswana
FA	7065	Persian	MR	7782	Marathi	TO	8479	Tonga
FI	7073	Finnish	MS	7783	Malay	TR	8482	Turkish
FJ	7074	Fiji	MT	7784	Maltese	TS	8483	Tsonga
FO	7079	Faroese	MY	7789	Burmese	TT	8484	Tatar
FR	7082	French	NA	7865	Nauru	TW	8487	Twi
FY	7089	Frisian	NE	7869	Nepali	UK	8575	Ukrainian
GA	7165	Irish	NL	7876	Dutch	UR	8582	Urdu
GD	7168	Scots Gaelic	NO	7879	Norwegian	UZ	8590	Uzbek
GL	7176	Galician	OC	7967	Occitan	VI	8673	Vietnamese
GN	7178	Guarani	OM	7977	(Afan) Oromo	VO	8679	Volapuk
GU	7185	Gujarati	OR	7982	Oriya	WO	8779	Wolof
HA	7265	Hausa	PA	8065	Punjabi	XH	8872	Xhosa
HI	7273	Hindi	PL	8076	Polish	YO	8979	Yoruba
HR	7282	Croatian	PS	8083	Pashto, Pushto	ZH	9072	Chinese
HU	7285	Hungarian	PT	8084	Portuguese	ZU	9085	Zulu
HY	7289	Armenian	QU	8185	Quechua			
IA	7365	Interlingua	RM	8277	Rhaeto-Romance			

In Case of Difficulty

If you encounter a problem, please turn the power off, then on again. If the unit is still not functioning normally, please review the items in the following checklist. This guide will help you isolate the problem if the unit is at fault. Otherwise, make sure the rest of your system is properly connected or consult your authorized Alpine dealer.

No function or display.

- Vehicle's ignition is off.
 - If connected following the instructions, the unit will not operate with the vehicle's ignition off.
- DVE-5300 is turned off.
 - Turn on the DVE-5300 by remote control.
- Improper power lead connections.
 - Check power lead connections.
- Blown fuse.
 - Replace the fuse on the battery lead of the unit with the proper value.

Disc playback sound is wavering.

- Moisture condensation in the disc unit.
 - Allow enough time for the condensation to evaporate (about 1 hour).

Disc insertion not possible.

- A disc is already in the DVD player.
 - Eject the disc and remove it.
- The disc is being improperly inserted.
 - Re-insert the disc following the instructions in the "Loading and Unloading Discs" section.

Unable to fast forward or reverse the disc.

- The disc has been damaged.
 - Eject the disc and discard it; using a damaged disc in your unit can cause damage to the mechanism.

Disc playback sound skips due to vibration.

- Improper mounting of the unit.
 - Securely re-mount the unit.
- The disc is very dirty.
 - Clean the disc.
- The disc has scratches.
 - Change the disc.
- The pick-up lens is dirty.
 - Do not use a commercial available lens cleaner disc. Consult your nearest ALPINE dealer.

Disc playback sound skips without vibration.

- Dirty or scratched disc.
 - Clean the disc; damaged disc should be replaced.

CD-R/CD-RW playback not possible.

- Close session (finalization) has not been performed.
 - Perform finalization and attempt playback again.

Error displays

- Mechanical error
 - Press **▲**. After the error indication disappears, insert the disc again. If the above-mentioned solution does not solve the problem, consult your nearest ALPINE dealer.

MP3/WMA/AAC/WAV is not played back.

- Writing error occurred. The CD format is not compatible.
 - Make sure the CD has been written in a supported format. Refer to "About MP3/WMA/AAC" on page 18, or "About WAV" on page 23, then rewrite in the format supported by this device.

Unit does not operate.

- Monitor's power is not turned on.
 - Turn on the monitor's power.
- Condensation
 - Wait a while (about 1 hour) for the condensation to dry.

No picture is produced.

- Monitor's mode is not switched to the mode you want to see.
 - Switch to the mode you want to see.
- Monitor's parking brake cord is not connected.
 - Connect the monitor's parking brake cord and set the parking brake. (For details, refer to the monitor's instructions.)
- Monitor's parking brake is not set.
 - Connect the monitor's parking brake cord and set the parking brake. (For details, refer to the monitor's instructions.)

Playback does not start.

- Disc is loaded upside-down.
 - Check the disc and load it with the labeled side facing upward.
- The disc is dirty.
 - Clean the disc.
- A disc not able to playback with this unit is loaded.
 - Check if the disc is able to be played back.
- Setup menu is displayed.
 - Press **RETURN** to turn the menu off.

Picture is unclear or noisy.

- Disc is being fast-forwarded or fast-reversed.
 - The picture may be unclear, but this is normal.
- Vehicle's battery power is weak.
 - Check the battery power and wiring. (The unit may malfunction if the battery power is under 11 volts with a load applied.)
- Monitor's fluorescent tube is worn out.
 - Replace the monitor's fluorescent tube.

Image stops sometimes.

- Disc is scratched.
 - Replace with a non-scratched disc.

Indication

DISC ERROR

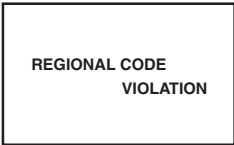
- Mechanism error.
 - 1) Press **▲** and eject the disc.
 - If the disc does not eject, press **▲** again for at least 3 seconds and eject the disc. The disc may drop when force to eject. Please pay attention to protect the disc.
 - If the disc still does not eject, consult your Alpine dealer.
 - 2) When the error indication remains after ejecting, press **▲** again.
 - If the error indication still does not turn off after pressing **▲** a few times, consult your Alpine dealer.

NO DISC

- No disc is inserted.
 - Insert a disc.
- Although a disc is inserted, "NO DISC" is displayed and the unit does not start to play or eject the disc.
 - Remove the disc by pressing **▲** again for at least 3 seconds.
 - The disc may drop when force to eject. Please pay attention to protect the disc.



- Remote control operation is not possible.
 - For some discs or playing modes, certain operations are not possible. This is not a malfunction.
-



- Disc does not match regional code number.
 - Load a disc that matches the regional code number.
-



- Protective circuit is activated at high temperature.
 - The indicator will disappear when the temperature returns to within operation range.
 - Leave the power OFF until the temperature decreases and then turn the power ON again.
-



- Mechanism error.
 - 1) Press ▲ and eject the disc.
 - If the disc does not eject, press ▲ again for at least 3 seconds and eject the disc. The disc may drop when force to eject. Please pay attention to protect the disc.
 - If the disc still does not eject, consult your Alpine dealer.
 - 2) When the error indication remains after ejecting, press ▲ again.
 - If the error indication still does not turn off after pressing ▲ a few times, consult your Alpine dealer.
-



- A copy-protected WMA file was played back.
 - You can only play back non-copy-protected files.



- A disc with an unsupported region code or other copyright infringement has been inserted.
 - Change to another disc.
-



- The unit cannot read a disc's TOC because the disc has many scratches or is very dirty.
 - Clean the dirty disc, and insert it again. Damaged discs should be replaced.

Specifications

Frequency Response	CD: 5 – 20,000 Hz (\pm 1 dB)
Wow & Flutter (% WRMS)	Below measurable limits
Total Harmonic Distortion	0.02 % (at 1 kHz)
Dynamic Range	95 dB (at 1 kHz)
Channel Separation	65 dB (at 1 kHz)
Horizontal resolution	500 lines or greater
Video output level	1Vp-p (75 ohms)
Video S/N ratio	DVD: 60 dB
Audio S/N ratio	95 dB

PICKUP

Wave length	DVD: 665 nm CD: 800 nm
Laser power	CLASS II

REMOTE CONTROL

Battery Type	CR2025 battery
Width	42 mm (1-5/8")
Height	90 mm (3-1/2")
Depth	11.6 mm (15/32")
Weight	30 g (1 oz) (battery excluded)

GENERAL

Power Requirement	14.4 V DC (11–16 V allowable)
Operating Temperature	+14°F to +140°F (-10°C to + 60°C)
HDMI Output Format	480p
Weight	1.2kg (2 lbs. 10 oz)

CHASSIS SIZE

Width	170 mm (6-3/4")
Height	50 mm (2")
Depth	154 mm (6-1/16")

- *Due to continuous product improvement, specifications and design are subject to change without notice.*

CAUTION

CAUTION-Laser radiation when open, DO NOT STARE INTO BEAM

(Bottom side of player)

Installation and Connections

Before installing or connecting the unit, please read the following and pages 5 and 8 of this manual thoroughly for proper use.

Warning

MAKE THE CORRECT CONNECTIONS.

Failure to make the proper connections may result in fire or product damage.

USE ONLY IN CARS WITH A 12 VOLT NEGATIVE GROUND.

(Check with your dealer if you are not sure.) Failure to do so may result in fire, etc.

BEFORE WIRING, DISCONNECT THE CABLE FROM THE NEGATIVE BATTERY TERMINAL.

Failure to do so may result in electric shock or injury due to electrical shorts.

DO NOT ALLOW CABLES TO BECOME ENTANGLED IN SURROUNDING OBJECTS.

Arrange wiring and cables in compliance with the manual to prevent obstructions when driving. Cables or wiring that obstruct or hang up on places such as the steering wheel, gear lever, brake pedals, etc., can be extremely hazardous.

DO NOT SPLICE INTO ELECTRICAL CABLES.

Never cut away cable insulation to supply power to other equipment. Doing so will exceed the current carrying capacity of the wire and result in fire or electric shock.

DO NOT DAMAGE PIPE OR WIRING WHEN DRILLING HOLES.

When drilling holes in the chassis for installation, take precautions so as not to contact, damage or obstruct pipes, fuel lines, tanks or electrical wiring. Failure to take such precautions may result in fire.

DO NOT USE BOLTS OR NUTS IN THE BRAKE OR STEERING SYSTEMS TO MAKE GROUND CONNECTIONS.

Bolts or nuts used for the brake or steering systems (or any other safety-related system), or tanks should NEVER be used for installations or ground connections. Using such parts could disable control of the vehicle and cause fire, etc.

KEEP SMALL OBJECTS SUCH AS BATTERIES OUT OF THE REACH OF CHILDREN.

Swallowing them may result in serious injury. If swallowed, consult a physician immediately.

DO NOT INSTALL IN LOCATIONS WHICH MIGHT HINDER VEHICLE OPERATION, SUCH AS THE STEERING WHEEL OR GEARSHIFT.

Doing so may obstruct forward vision or hamper movement, etc., and result in a serious accident.

Caution

HAVE THE WIRING AND INSTALLATION DONE BY EXPERTS.

The wiring and installation of this unit requires special technical skill and experience. To ensure safety, always contact the dealer where you purchased this product to have the work done.

USE SPECIFIED ACCESSORY PARTS AND INSTALL THEM SECURELY.

Be sure to use only the specified accessory parts. Use of other than designated parts may damage this unit internally or may not securely install the unit in place. This may cause parts to become loose resulting in hazards or product failure.

ARRANGE THE WIRING SO IT IS NOT CRIMPED OR PINCHED BY A SHARP METAL EDGE.

Route the cables and wiring away from moving parts (like the seat rails) or sharp or pointed edges. This will prevent crimping and damage to the wiring. If wiring passes through a hole in metal, use a rubber grommet to prevent the wire's insulation from being cut by the metal edge of the hole.

DO NOT INSTALL IN LOCATIONS WITH HIGH MOISTURE OR DUST.

Avoid installing the unit in locations with high incidence of moisture or dust. Moisture or dust that penetrates into this unit may result in product failure.

Precautions

- Be sure to disconnect the cable from the (-) battery post before installing your DVE-5300. This will reduce any chance of damage to the unit in case of a short-circuit.
- Be sure to connect the color coded leads according to the diagram. Incorrect connections may cause the unit to malfunction or damage to the vehicle's electrical system.
- When making connections to the vehicle's electrical system, be aware of the factory installed components (e.g. on-board computer). Do not tap into these leads to provide power for this unit. When connecting the DVE-5300 to the fuse box, make sure the fuse for the intended circuit of the DVE-5300 has the appropriate amperage. Failure to do so may result in damage to the unit and/or the vehicle. When in doubt, consult your ALPINE dealer.
- The DVE-5300 uses HDMI extension Cable for connection to other units (e.g. monitor). For details, please contact your authorized ALPINE dealer for assistance.

IMPORTANT

Please record the serial number of your unit in the space provided below and keep it as a permanent record. The serial number plate is located on the bottom of the unit.

SERIAL NUMBER: _____

INSTALLATION DATE: _____

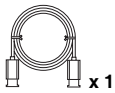
INSTALLATION TECHNICIAN: _____

PLACE OF PURCHASE: _____

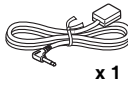
Installation

Check accessory parts.

HDMI-extension
Cable (1.5 m)



Remote Control Eye



Remote Control



Power Cable



① HDMI Hold-down
Bracket



② HDMI Hold-down
screw



③ Velcro fastener



x 2

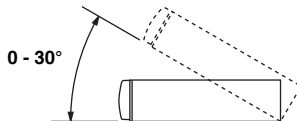
④ Flat head screw
(M5 x 8)



x 4

Angle of installation

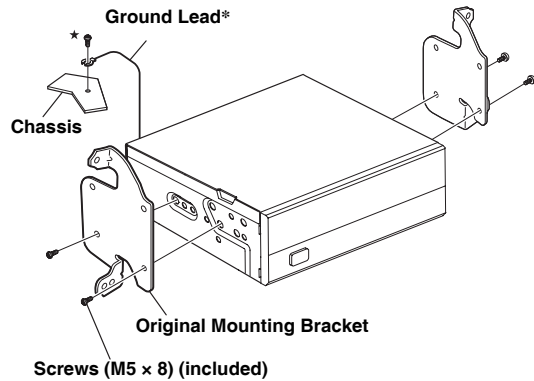
Install at an angle between horizontal and 30°. Note that installing at an angle outside of this range will result in a loss of performance and possibly damage.



Do not mount the unit in a location of extreme temperature fluctuations (such as near an air conditioner or heater vent). Disc read failures or other problems may result. If mounted in such location, failures such as "Disc can not read." or other failure may occur.

Installation example using the Original Mounting Bracket

1 Mount the original mounting bracket to the unit using the supplied screws (④).



2 Connect all other leads of the unit according to details described in the "Connections" (page 33).

3 Mounting the unit in a car.

* To securely connect the ground lead, use an already installed screw on a metal part of the vehicle (marked (★)) or a clean, bare metal spot on the vehicle's chassis.

• Fix the cables carefully. Do not damage them by tucking them into movable parts, such as a seat rail, or by locating them against sharp or pointed edges.

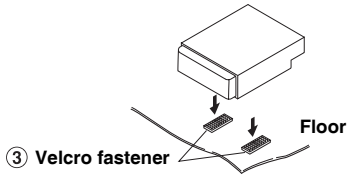
When mounting using Velcro fastener

1 Place Velcro fastener ③.

Place two pieces of Velcro fastener ③ to the mounting location with the rough side facing toward the DVD unit.

2 Place the matching pieces of Velcro fastener ③ onto the pieces already on the mounting positions.

Remove the protective paper covering the adhesive on the Velcro fastener ③. Press the unit onto the strips at the mounting position.

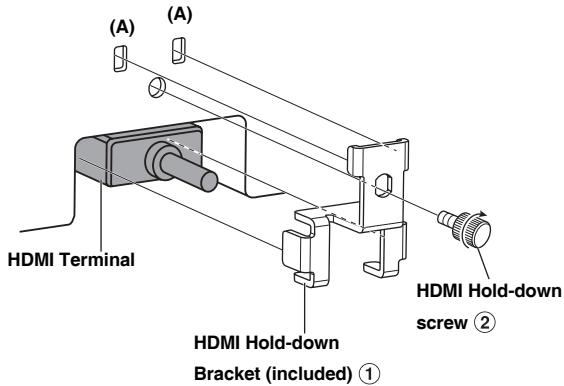


Note on using HDMI Connection Cables

When using HDMI connection cables, secure the cables to the HDMI Terminals with the supplied HDMI Hold-down Bracket.

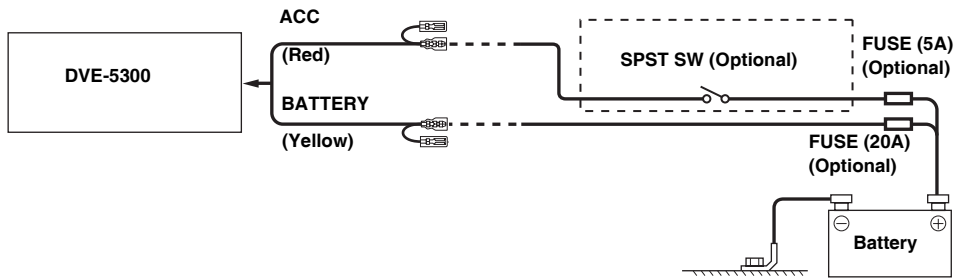
1 Insert the HDMI Hold-down Bracket into the grooves (A).

2 Secure it with the screw ②.



If an ACC power supply is not available

Connection Diagram of SPST Switch (sold separately)

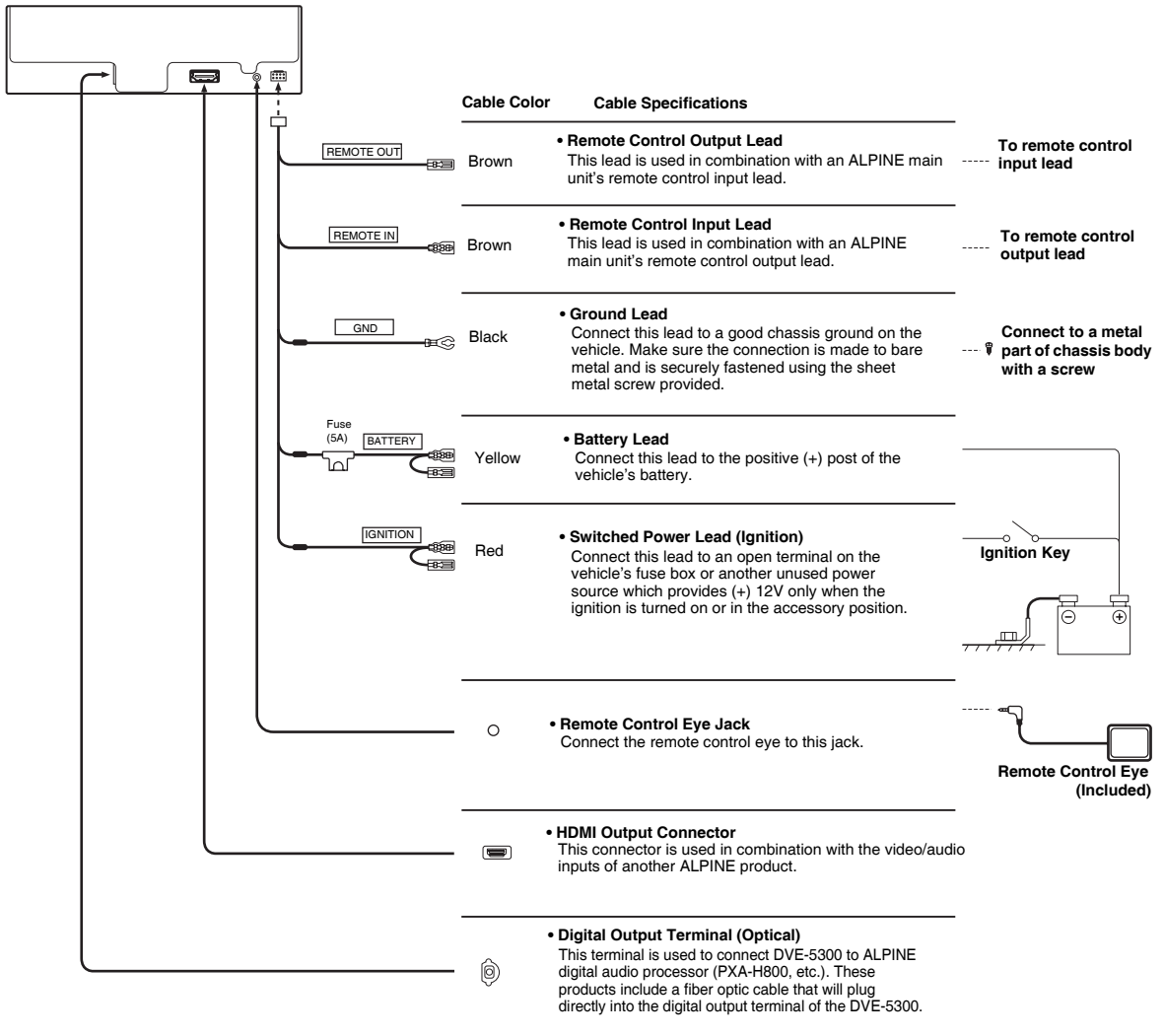


- If your vehicle has no ACC power supply, add an SPST (single-pole, single-throw) switch (sold separately) and fuse (sold separately).
- The diagram and the fuse amperage shown above are in the case when the unit is used individually.
- If the switched power (ignition) lead of the unit is connected directly to the positive (+) post of the vehicle's battery, the unit draws some current (several hundred milliamperes) even when its switch is placed in the OFF position, and the battery may be discharged.

To prevent external noise from entering the audio system.

- Locate the unit and route the leads at least 10 cm away from the car harness.
- Keep the battery power leads as far away from other leads as possible.
- Connect the ground lead securely to a bare metal spot (remove any paint, dirt or grease if necessary) of the car chassis.
- If you add an optional noise suppressor, connect it as far away from the unit as possible. Your Alpine dealer carries various noise suppressors, contact them for further information.
- Your Alpine dealer knows best about noise prevention measures so consult your dealer for further information.

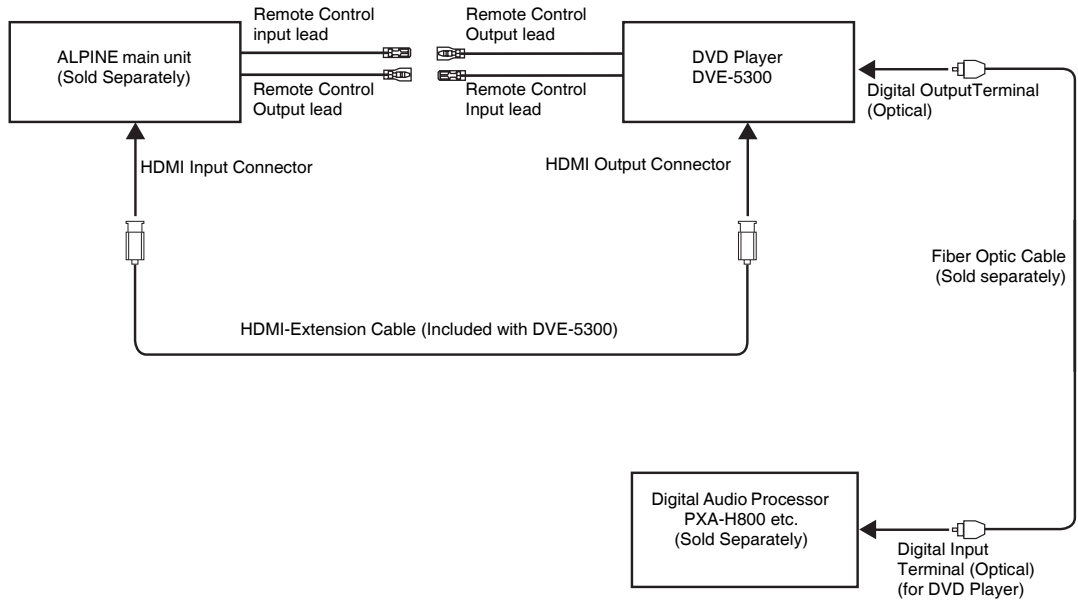
Connections



- *Connect properly.*
Never connect to parts other than the ones indicated in these operating instructions.
- *Also refer to the operating instructions of the other products in the system.*

System Example

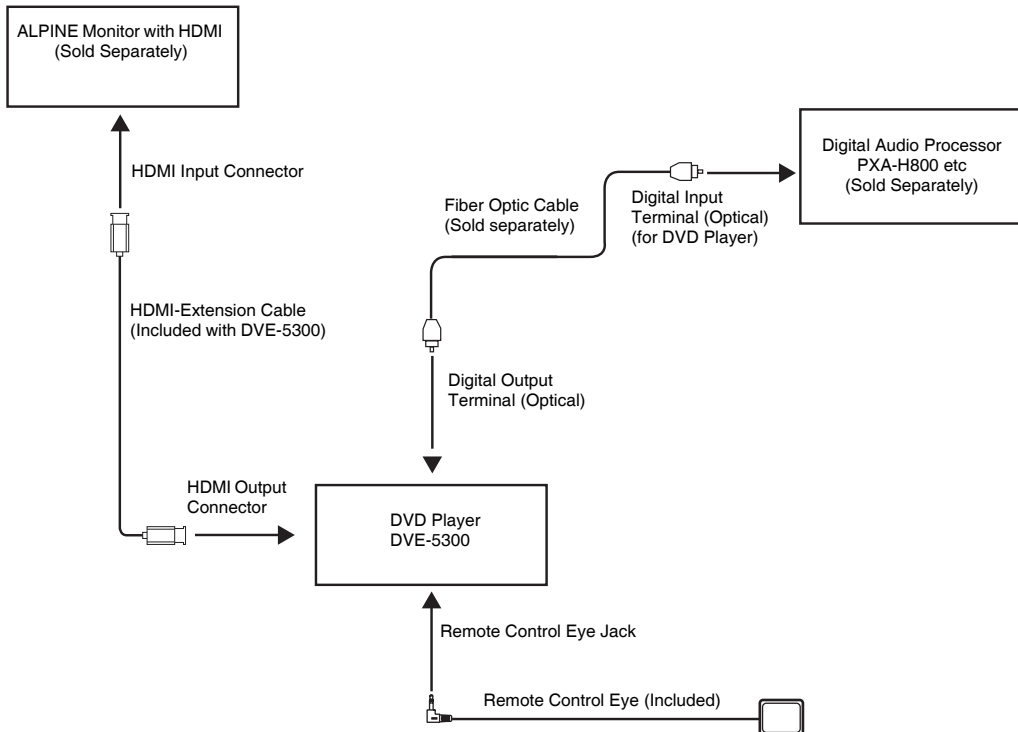
Connecting an ALPINE main unit, Digital Audio Processor (PXA-H800, etc.)



Caution!

When "Bitstream" is selected, there will be no HDMI audio output from DVE-5300. For details, refer to "Setting the Digital Output" (page 22).

Connecting an HDMI compatible Monitor, Digital Audio Processor (PXA-H800, etc.)



• Also refer to the operating instructions of the other products in the system.



LIMITED WARRANTY

ALPINE ELECTRONICS OF AMERICA, INC. ("Alpine"), is dedicated to quality craftsmanship and is pleased to offer this Warranty. We suggest that you read it thoroughly. Should you have any questions, please contact your Dealer or contact Alpine at one of the telephone numbers listed below.

● PRODUCTS COVERED:

This Warranty covers Car Audio Products and Related Accessories ("the product"). Products purchased in the Canada are covered only in the Canada. Products purchased in the U.S.A. are covered only in the U.S.A.

● LENGTH OF WARRANTY:

This Warranty is in effect for one year from the date of the first consumer purchase.

● WHO IS COVERED:

This Warranty only covers the original purchaser of the product, who must reside in the United States, Puerto Rico or Canada.

● WHAT IS COVERED:

This Warranty covers defects in materials or workmanship (parts and labor) in the product.

● WHAT IS NOT COVERED:

This Warranty does not cover the following:

- ① Damage occurring during shipment of the product to Alpine for repair (claims must be presented to the carrier).
- ② Damage caused by accident or abuse, including burned voice coils caused by over-driving the speaker (amplifier level is turned up and driven into distortion or clipping). Speaker mechanical failure (e.g. punctures, tears or rips). Cracked or damaged LCD panels. Dropped or damaged hard drives.
- ③ Damage caused by negligence, misuse, improper operation or failure to follow instructions contained in the Owner's manual.
- ④ Damage caused by act of God, including without limitation, earthquake, fire, flood, storms or other acts of nature. Any cost or expense related to the removal or reinstallation of the product.
- ⑤ Service performed by an unauthorized person, company or association.
- ⑥ Any product which has the serial number defaced, altered or removed.
- ⑦ Any product which has been adjusted, altered or modified without Alpine's consent.
- ⑧ Any product not distributed by Alpine within the United States, Puerto Rico or Canada.
- ⑨ Any product not purchased from an Authorized Alpine Dealer.

● HOW TO OBTAIN WARRANTY SERVICE:

- ① You are responsible for delivery of the product to an Authorized Alpine Service Center or Alpine for repair and for payment of any initial shipping charges. Alpine will, at its option, repair or replace the product with a new or reconditioned product without charge. If the repairs are covered by the warranty, and if the product was shipped to an Authorized Alpine Service Center or Alpine, Alpine will pay the return shipping charges.
- ② You should provide a detailed description of the problem(s) for which service is required.

- ③ You must supply proof of your purchase of the product.

- ④ You must package the product securely to avoid damage during shipment. To prevent lost packages it is recommended to use a carrier that provides a tracking service.

● HOW WE LIMIT IMPLIED WARRANTIES:

ANY IMPLIED WARRANTIES INCLUDING FITNESS FOR USE AND MERCHANTABILITY ARE LIMITED IN DURATION TO THE PERIOD OF THE EXPRESS WARRANTY SET FORTH ABOVE AND NO PERSON IS AUTHORIZED TO ASSUME FOR ALPINE ANY OTHER LIABILITY IN CONNECTION WITH THE SALE OF THE PRODUCT.

● HOW WE EXCLUDE CERTAIN DAMAGES:

ALPINE EXPRESSLY DISCLAIMS LIABILITY FOR INCIDENTAL AND CONSEQUENTIAL DAMAGES CAUSED BY THE PRODUCT. THE TERM "INCIDENTAL DAMAGES" REFERS TO EXPENSES OF TRANSPORTING THE PRODUCT TO THE ALPINE SERVICE CENTER, LOSS OF THE ORIGINAL PURCHASER'S TIME, LOSS OF THE USE OF THE PRODUCT, BUS FARES, CAR RENTALS OR OTHERS COSTS RELATING TO THE CARE AND CUSTODY OF THE PRODUCT. THE TERM "CONSEQUENTIAL DAMAGES" REFERS TO THE COST OF REPAIRING OR REPLACING OTHER PROPERTY WHICH IS DAMAGED WHEN THIS PRODUCT DOES NOT WORK PROPERLY. THE REMEDIES PROVIDED UNDER THIS WARRANTY ARE EXCLUSIVE AND IN LIEU OF ALL OTHERS.

● HOW STATE/PROVINCIAL LAW RELATES TO THE WARRANTY:

This Warranty gives you specific legal rights, and you may also have other rights which vary from state to state and province to province. In addition, some states/provinces do not allow limitations on how long an implied warranty lasts, and some do not allow the exclusion or limitation of incidental or consequential damages. Accordingly, limitations as to these matters contained herein may not apply to you.

● IN CANADA ONLY:

This Warranty is not valid unless your Alpine car audio product has been installed in your vehicle by an Authorized Installation Center, and this warranty stamped upon installation by the installation center.

● HOW TO CONTACT CUSTOMER SERVICE:

Should the product require service, please call the following number for your nearest Authorized Alpine Service Center.

CAR AUDIO	1-800-ALPINE-1 (1-800-257-4631)
NAVIGATION	1-888-NAV-HELP (1-888-628-4357)

Or visit our website at: <http://www.alpine-usa.com>

ALPINE ELECTRONICS OF AMERICA, INC., 19145 Gramercy Place, Torrance, California 90501, U.S.A.

Do not send products to this address.

Call the toll free telephone number or visit the website to locate a service center.

Don't forget to take a moment to protect your purchase by registering your product now at the following address: www.alpine-usa.com/registration.

N'oubliez pas de consacrer un moment à la protection de votre achat en enregistrant votre produit dès maintenant à l'adresse suivante : www.alpine-usa.com/registration.

Recuerde que con solo unos pocos pasos podrá proteger su producto, registrándolo a través de la siguiente dirección: www.alpine-usa.com/registration.