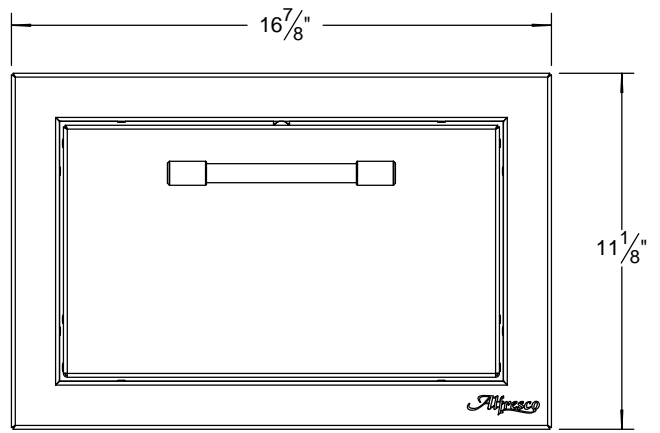
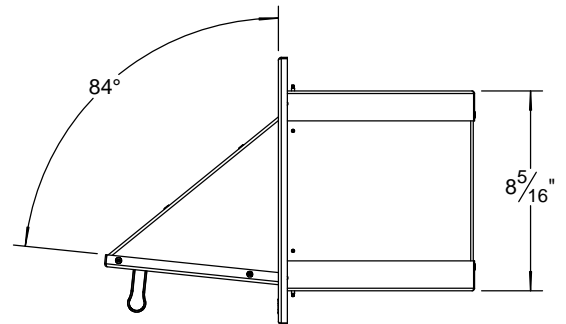
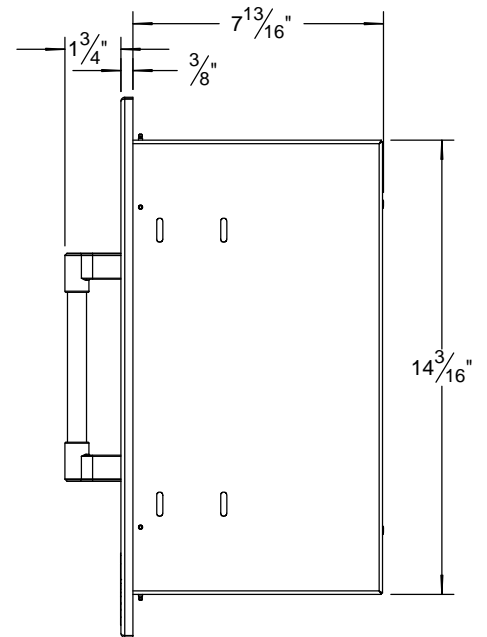
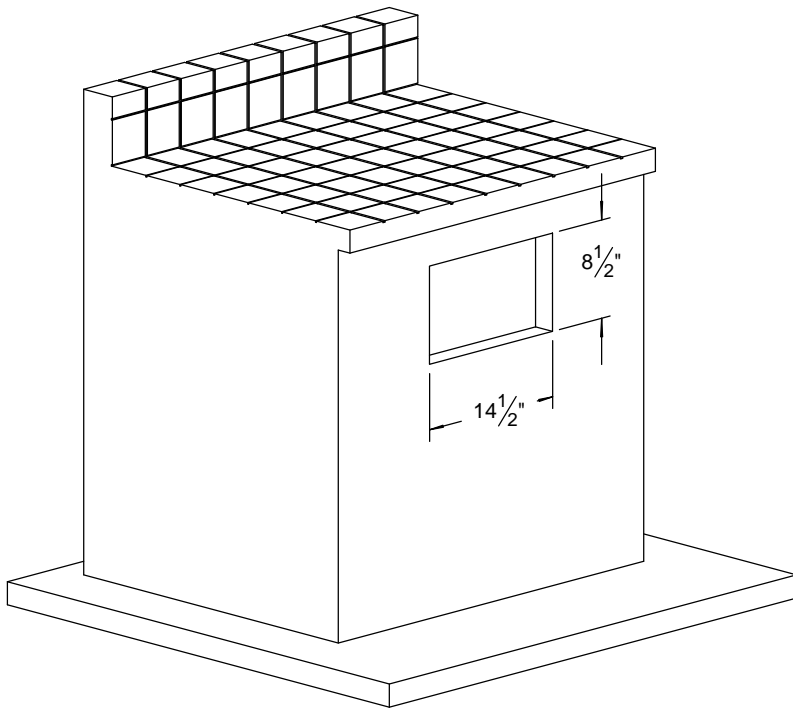


AXE-TH TOWEL HOLDER TYPICAL INSTALLATION



COUNTER FRONT CUTOUT REQUIREMENTS



**SPRING LOADED
SEALED STAINLESS
HARDWARE
(INCLUDED)**

