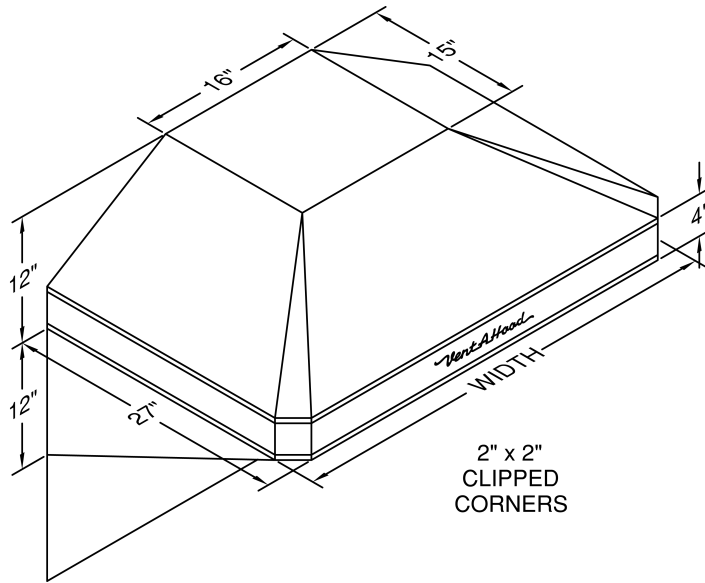


AH12-242

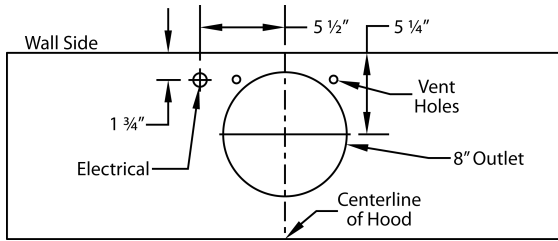
Halogen lights only. This model is not available with heat lamps. This model is only available in painted finishes. Painted round duct and ceiling collar are sold separately. Hood includes wing panels and 30" tall x hood width splash panel.

Dimensional Information

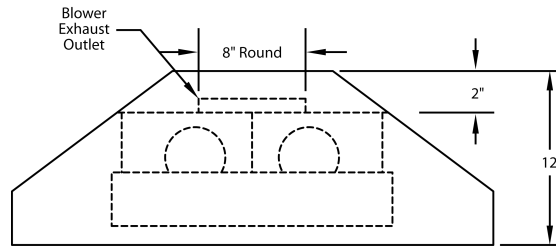
Width	42.0
Depth	27.0
Height	12.0
CFM @ 0.0" SP	600.0
Sones	6.5
Amps	4.4
# Lights	3.0



Connection Diagram

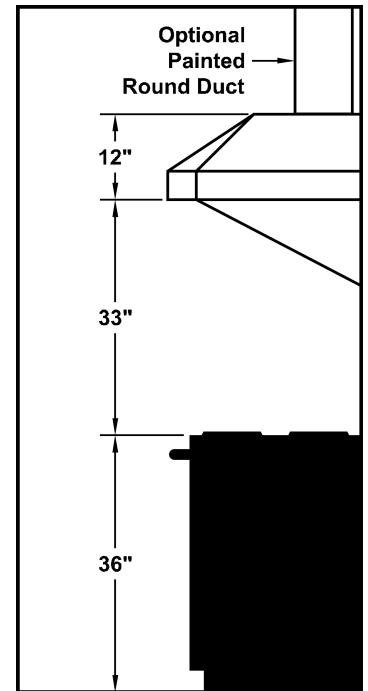


600 CFM B200 Dual Blower (Top View)

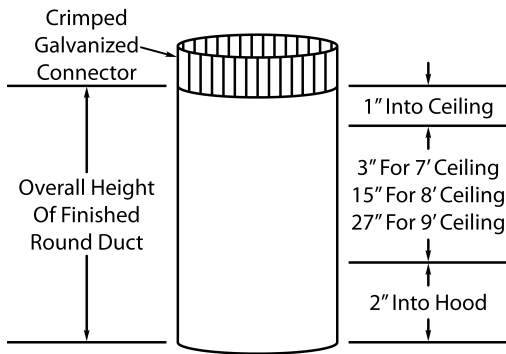


(Front View)

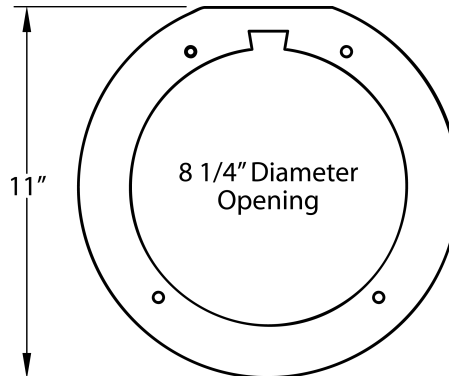
Recommended Mounting Height*



*Exceeding recommended mounting height may compromise performance.



Optional Painted Round Duct



ARC8 Optional Ceiling Collar

Electrical/Mechanical Specifications For Blower Unit

Model	Volts	Amps*	Hz	RPM	CFM SP@0.0"	Equivalent CFM	CFM SP@0.1"	CFM SP@0.2"	CFM SP@0.3"	Minimum Round Duct Size	Sones#
B200 Dual	115.0	2.9	60.0	1550.0	600.0	900.0	531.0	480.0	430.0	8" (50 sq. in.)	6.5

+ This model is equipped with halogen lighting: (2 lights: 30" - 41", 3 lights: 42" - 48").

\$ Because the Magic Lung® blower uses centrifugal filtration rather than conventional baffle or mesh filters, the Magic Lung® blower can handle cooking equipment with higher cubic feet per minute (CFM) requirements and can deliver equivalent CFM much more efficiently than other filtration systems. When comparing the Magic Lung® with other blower units made by other manufacturers, use the "Equivalent CFM".

Ratings in accordance with the Standard Test Code by the Energy Systems Laboratory of the Texas Engineering Experiment Station.