

# DDN25402W



Top Control, White, Pocket Handle Dishwasher, 5 programs, 48 dBA



CEE Tier 1

## GENERAL PROPERTIES

Style	Top Control
Finish	White
Handle	Pocket Handle
Connectivity	–
Tub Type	Standard Size
Tub and Door Liner	Stainless Steel
Control Type	Push Buttons
Toe Kick	Black Plastic
Leveling System	4 Leveling Legs

## EFFICIENCY

Energy Efficiency Class	Tier 1
ENERGY STAR® Certified	Most Efficient
Total Annual Energy Consumption (kWh)	234 kWh/year
Total Annual Water Consumption (g)	2.59 - 5.86 g/cycle

## PREMIUM TECHNOLOGY



### MOST EFFICIENT

Beko dishwashers are ENERGY STAR® Most Efficient. They save water and energy while exceeding the stringent cleanability Index required to receive this designation.



### FULL STAINLESS STEEL TUB

Our stainless steel interior not only resists hard water stains, spots, and corrosion, it's more durable, offers more noise cancellation, and supports higher temperatures than the plastic interiors found in other dishwashers.



### SANITIZE FUNCTION

The Sanitize function reaches higher temperatures, provides complete peace of mind, especially for cleaning baby bottles and feeding accessories.



# DDN25402W



Top Control, White, Pocket Handle Dishwasher, 5 programs, 48 dBA

## FEATURES

Number of Wash Cycles	5
SilentTech™	48 dBA
CornerIntense®	–
Deep Wash	–
EverClean™ Filter	–
SelfDry	–
IonGuard	–
Drying System	Static
Interior Illumination	–
DMSF Overflow Protection	Yes
Turbidity Sensor	Yes
Delay Timer	Yes
Detergent & Rinse Aid Dispenser (with Indicator)	Yes
Flood Protection	Yes
Overflow Safety	Yes
Water Softener	–
Watertap Indicator	Yes
LED Spot (Light Indicator on Floor)	–
Interior High Loop with Air Gap	Yes
All-In-1 Tablet	Yes
ProSmart Inverter Motor	Yes
NSF®-Certified – Sanitize Option	Yes

## RACK SYSTEM

Full Size Third Rack	–
Easy Fold Lower Rack Tines	–
Cutlery Basket	Standard, Full-Size
Upper Rack	Standard, 2 Mug Shelves
Easy Fold Upper Rack Tines	–
Height-Adjustable Upper Rack	–
Nylon Coated Racks	Yes

## CAPACITY

Number of Place Settings	14
--------------------------	----

## TECHNICAL INFORMATION

Total Power (W)	1,100 W
Current (A)	12 A
Volts (A)	120 V
Frequency (Hz)	60 Hz
Power Cord Full Length	Yes
Power Cord Install Length from Edge of Unit when Facing the Door	3.94 ft.
Minimum Water Pressure (psi)	4.35 – 145
Length Discharge Hose	6.84 ft.

## DIMENSIONS & WEIGHT

Product (H x W x D) (in)	32 <sup>3</sup> / <sub>16</sub> x 23 <sup>9</sup> / <sub>16</sub> x 22 <sup>7</sup> / <sub>16</sub>
Required Cutout Dimensions (H x W x D) (in)	34 x 24 x 24
Net Weight (lbs)	78.48

## ACCESSORIES (INCLUDED)

Installation Accessory Pack	1784430062
Toe Kick	1884940400 1884930700 1884920700

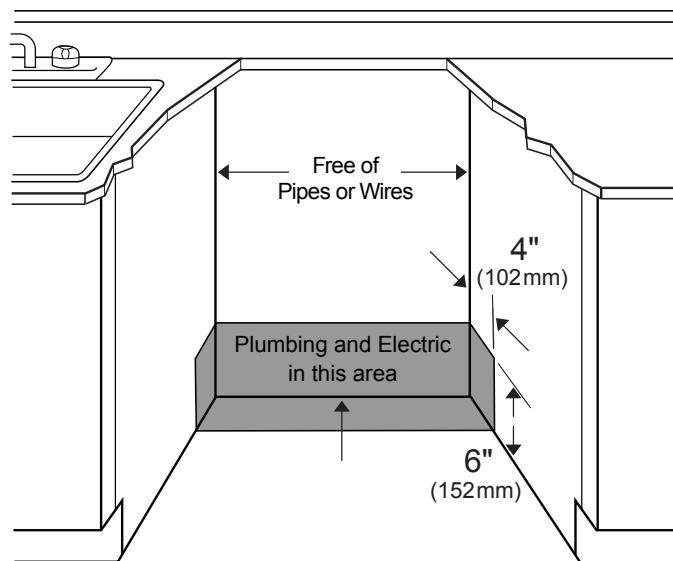
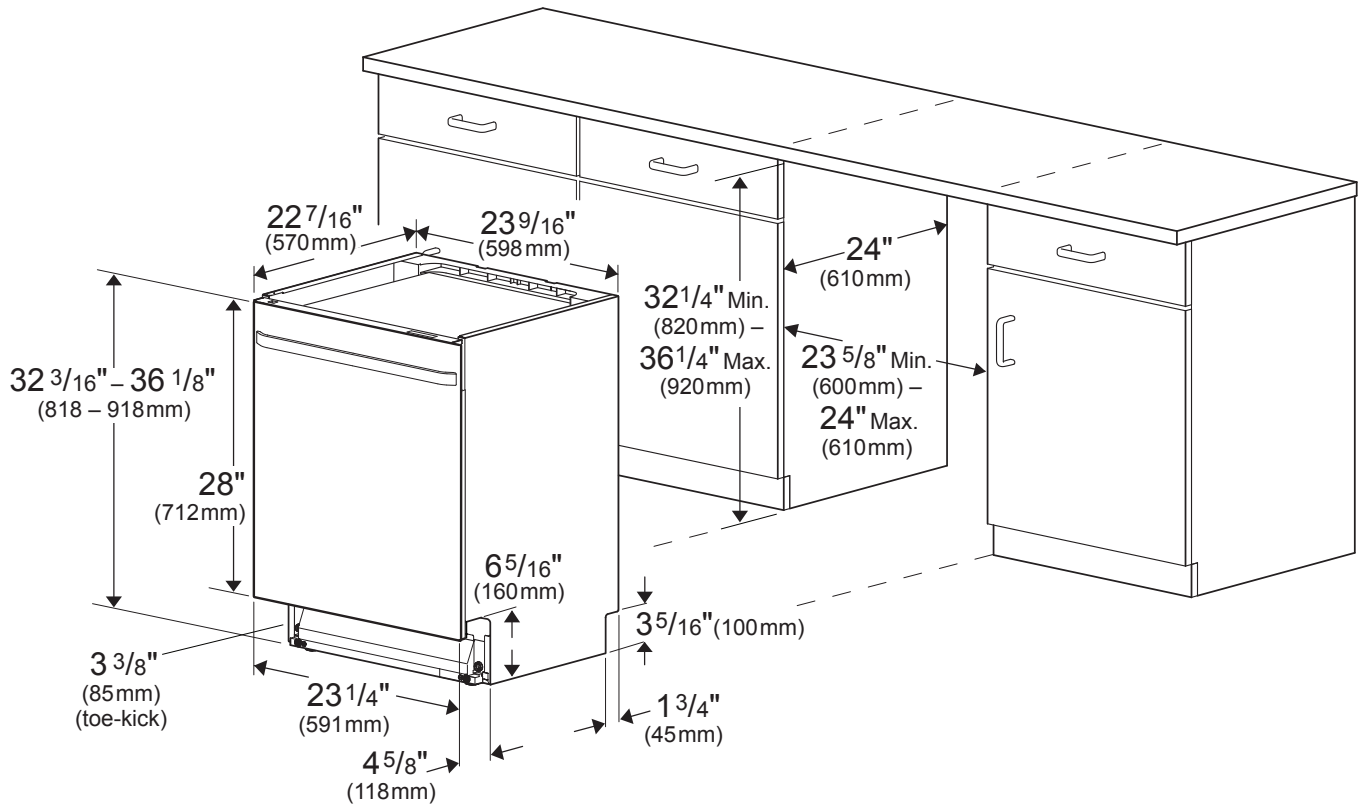
## WARRANTY

All Products	2-Year Full Warranty
ProSmart Inverter Motor	10-Year Warranty – Parts Only

# DDN25402W



Top Control, White, Pocket Handle Dishwasher, 5 programs, 48 dBA



NOTE TO THE INSTALLER: All height, width, and depth dimensions are shown in inches (as well as metric). Beko U.S., Inc. reserves the absolute and unrestricted right to change product materials and specifications, at any time, without notice. Please visit our website, [www.BekoAppliances.com](http://www.BekoAppliances.com), or call 888.352.2356 to verify the latest specifications with final dimensional data and other details prior to installation and making a cutout. Applicable product limited warranty information may be found in accompanying product materials, or you may contact your account manager for further details. Proper installation is the responsibility of the installer. Product failure due to improper installation is not covered under the Limited Warranty.