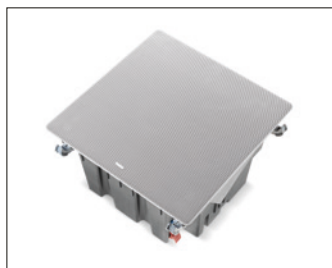


1000 ICLCR5

Product sheet

MADE IN
FRANCE

Easy Quick Install: quick and easy, no-tool assembly. System compatible with wall/ceiling thickness from 1/4 to 1 1/8" (12 - 54mm)



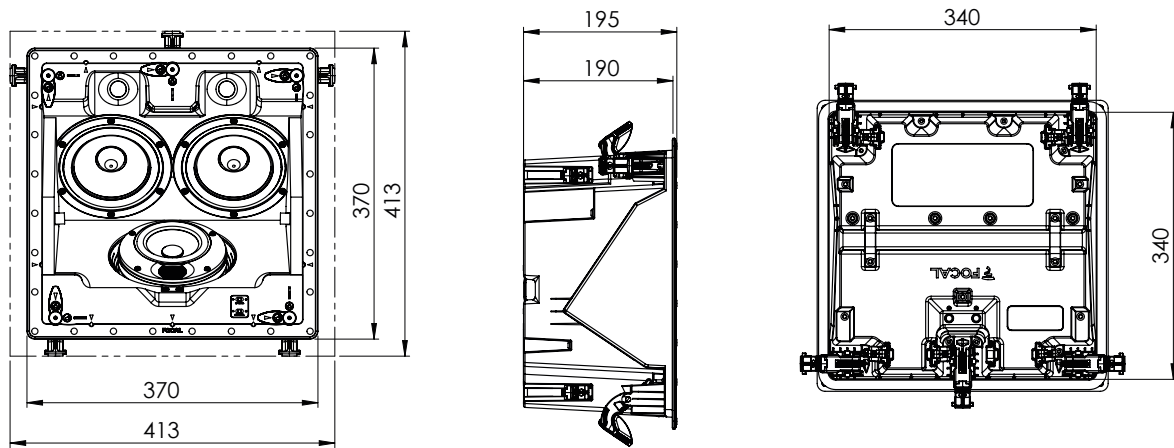
Key points

- Bass-reflex 3-way in-ceiling loudspeaker
- Quick, easy, no-tool product assembly
- Speaker drivers developed and manufactured in France by Focal
- Delivered with square magnetic grilles ready for painting
- Off-axis response control (tweeter/midrange position and gain setting)
- Fully integrated in-ceiling Home Cinema solution for total discretion
- One speaker, 5 applications: front left, central or right-hand channels; back left and right-hand channels)

Technical specifications

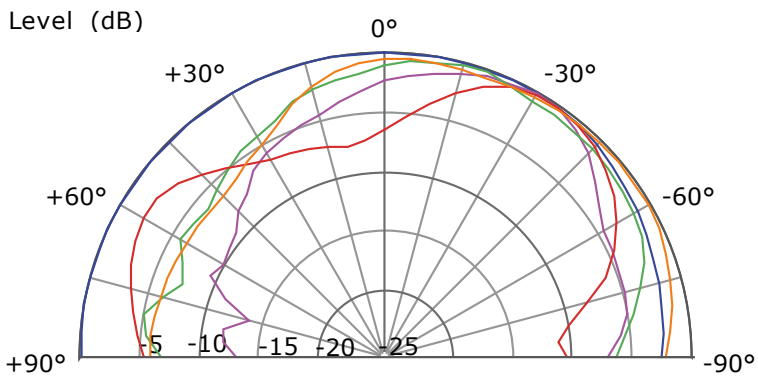
Type of speaker	3-way bass-reflex in-ceiling
Speaker drivers	2 x 5 1/8" (13cm) 'W' cone Bass, 4" (10cm) 'W' cone Midrange, 1" (25mm) Beryllium inverted dome tweeter
Sensitivity (2.83V/3 feet - 1m)	91dB
Bandwidth (+/-3dB)	53Hz - 40kHz
Low-frequency cut-off (-6dB)	43Hz
Nominal impedance	8 Ω
Minimal impedance	2.9 Ω
Recommended amp power	50 - 180W
Ext. size (HxLxD)	14 5/8" x 14 5/8" x 7 5/8" (370x370x195mm)
Mounting dimensions (HxL)	13 3/8" x 13 3/8" (340x340mm)
Mounting depth	7 1/2" (190mm)
Net weight (with grille)	18.30lbs (8.3kg)
Box size (length x depth x height)	18 3/4" x 18 3/4" x 11 5/8" (475x475x295mm)
Total weight (with packaging)	24.47lbs (11.1kg)

Dimensions

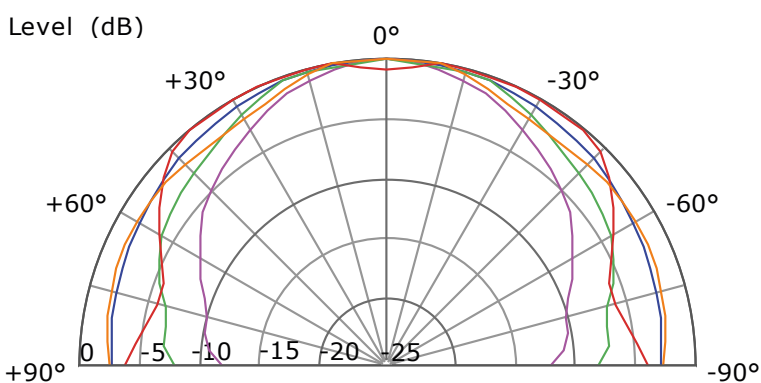


Directionality Measurements

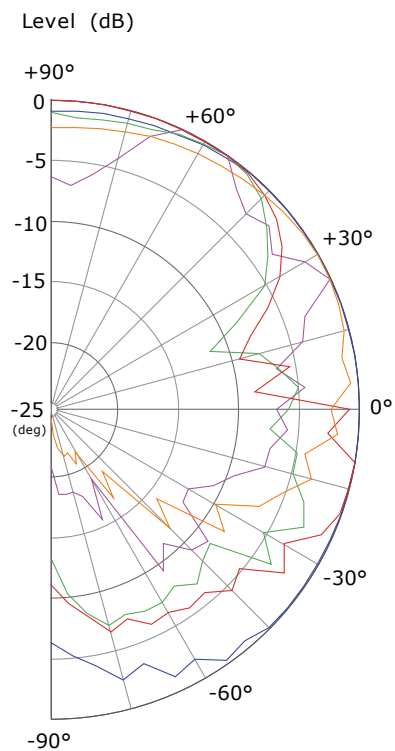
Horizontal (right channel)



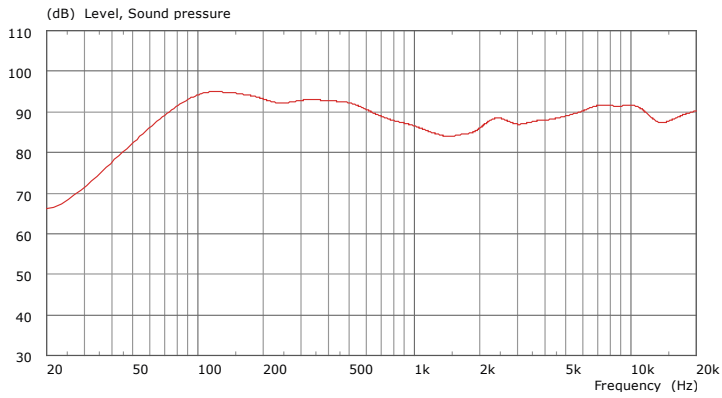
Horizontal (central channel)



Vertical



Frequency response



1000 ICLCR5 Levels calculation table

Horizontal (central channel)

Power/Distance	1m	2m	5m
1W (2.83V)	91dB	85dB	77dB
20W (12.6V)	104dB	98dB	90dB
50W (20V)	108dB	102dB	94dB
100W (28.3V)	111dB	105dB	97dB

Summary	125Hz	250Hz	500Hz	1kHz	2kHz	4kHz	8kHz
NPA (2.83V/1m)(dB)	95	92	92	87	86,5	88	91
Aperture angle at -6dB	360°	360°	360°	150°	150°	150°	105°

Horizontal (right channel)

Power/Distance	1m	2m	5m
1W (2.83V)	91dB	85dB	77dB
20W (12.6V)	104dB	98dB	90dB
50W (20V)	108dB	102dB	94dB
100W (28.3V)	111dB	105dB	97dB

Summary	125Hz	250Hz	500Hz	1kHz	2kHz	4kHz	8kHz
NPA (2.83V/1m)(dB)	95	92	92	87	86,5	88	91
Aperture angle at -6dB	360°	360°	360°	-35°/+125°	+5°/+70°	-45°/+90°	-30°/+85°