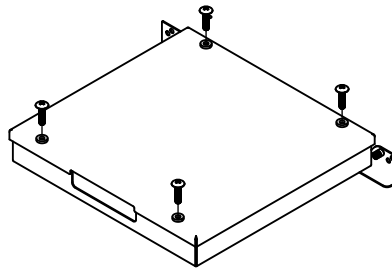


External Media Compartment Installation Instructions
Compatible with Shade Series 2™ 55-inch, 65-inch, and 75-inch TVs
(models: SHD2-55, SHD2-65, SHD2-75)

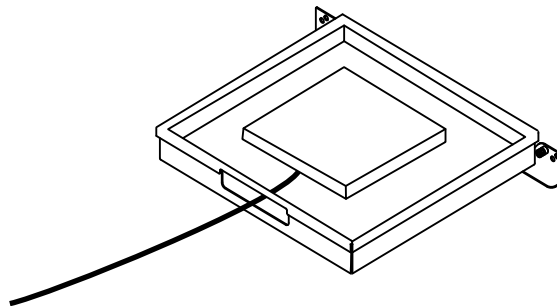
TOOLS REQUIRED

Phillips Head #3 Screwdriver
Allen Wrench, 5/32-inches

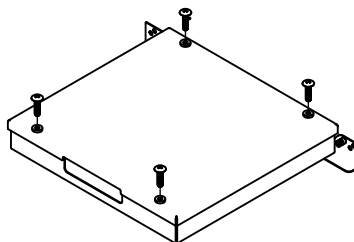
1. Use a Philips #3 screwdriver to unscrew the four ¼-20 screws and remove the cover from the External Media Compartment.



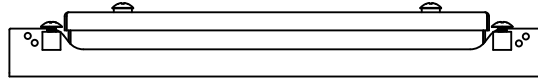
2. The hardware kit that includes two stake adapters and six screws will be located inside of the External Media Compartment. Remove the hardware kit and place your desired media devices in the compartment. Wires from the media devices should exit the media compartment by the foam gasket.



3. Use the four ¼-20 screws that were previously removed in step 1 to re-attach the cover to the External Media Compartment



4. Locate the two stake pocket adapters and four screws that came in the hardware kit. Line up the stake pocket adapters with the correct set of holes on each wing. There are two sets of holes on each wing: the inside set of holes is for Shade Series 2™ 55-inch and 65-inch TVs and the outside set of holes is for the Shade Series 2™ 75-inch TV. Using an Allen wrench and the four provided screws, screw the stake pocket adapters in place. Leave these screws a little loose to allow adjust-ability – you'll tighten them later.

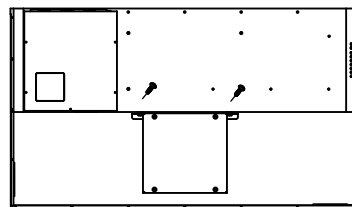


5. Place the Shade Series 2™ TV in a safe position for mounting the External Media Compartment to the back of the TV. We recommend laying the TV face-down on a flat, soft surface.

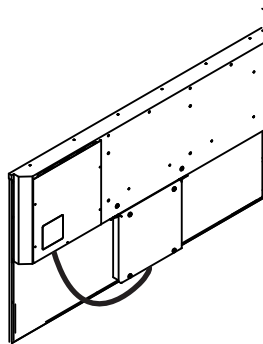
6. Align the stake pocket adapters on the External Media Compartment with the stake pocket holes located near the bottom of the Shade Series 2™ TV. Slide the compartment into position and tighten the four screws from step 4.



7. Insert two ¼-20 screws through the holes on the back of the TV and into the stake pocket adapters to attach the adapters to the back of the TV.



8. Open the main A/V compartment on the back of the Shade Series 2 TV and make wiring connections from the media devices in the External Media Compartment to the inputs located in the main media compartment on the Shade Series 2 TV. Close the A/V compartment and test unit to verify functionality.



Séura is not liable for damage or destruction to third party devices used with Séura products. If using an IR device (for example, Apple TV and Roku models prior to 2019), you will need to set up CEC control for your streaming device. This option is available in the settings menu of your streaming device. To enable CEC on your Séura TV, go to Menu – Network – Advanced Network Setting – CEC. This allows you to use Séura's TV remote to control the streaming device. If your streaming device does not use an RF connection and is not CEC compatible, then it will not receive remote control commands when placed in the media compartment. An IR emitter may work in getting a signal to the streaming device.