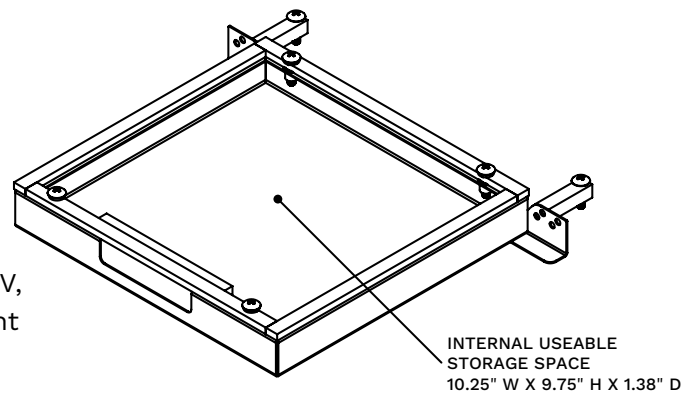




SÉURA OUTDOOR ACCESSORIES

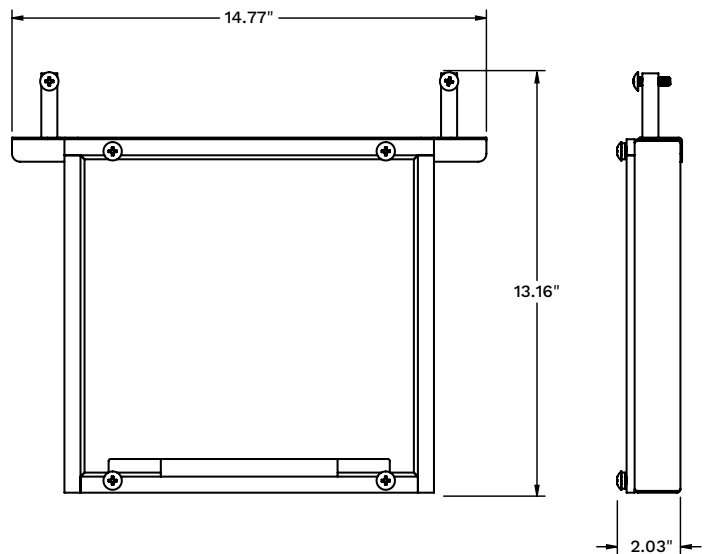
# External Media Compartment

Add more storage space to your Séura Shade Series 2™ Outdoor TV to hold media devices such as Roku, Apple TV, and more. The weatherproof external media compartment allows you to safely make connections to the TV.



**EXTERNAL MEDIA COMPARTMENT**  
Model: MC-1

GENERAL	
DISPLAY COMPATIBILITY	Shade Series 2™ Outdoor TVs: 55", 65", and 75"
DIMENSIONS	Product: 14.77" w x 13.16" h x 2.03" d Internal useable storage space: 10.25" w x 9.75" h x 1.38" d
INGRESS PROTECTION RATING	IP56
FINISH	Black Powder Coat
DURABILITY	Weather Resistant, Corrosion Resistant
INSTALLATION	
RF CONNECTIVITY RANGE	Up to 145 feet
TOOLS REQUIRED	#3 Philips screwdriver 5/32 Allen wrench
PRODUCT WEIGHT	2 lbs
SHIPPING	
PACKAGE DIMENSIONS	19.5" w x 12" h x 2" d
SHIPPING WEIGHT	3 lbs
OTHER	
WARRANTY	Two (2) year warranty against defects in original hardware and/or workmanship. Excludes corrosion or rust resulting from damaged, scratched or chipped paint or other surfaces.



Séura is not liable for damage or destruction to third party devices used with Séura products. If using an IR device (for example, Apple TV and Roku models prior to 2019), you will need to set up CEC control for your streaming device. This option is available in the settings menu of your streaming device. To enable CEC on your Séura TV, go to Menu – Network – Advanced Network Setting – CEC. This allows you to use Séura's TV remote to control the streaming device. If your streaming device does not use an RF connection and is not CEC compatible, then it will not receive remote control commands when placed in the media compartment. An IR emitter may work in getting a signal to the streaming device.