

PureLine
30" Convection Oven

H 6281 BP



PureLine 30" Convection Oven H 6281 BP



H 6281 BP

Features:

- DirectSelect controls offer turn dial operation with a 7-segment liquid crystal display
- Self Clean oven
- 8 Operating Modes
- Rapid PreHeat
- CleanGlass Door
- Timer
- TwinPower Fans provide optimum and even distribution of hot air
- Soft Open and Soft Close for an easier handling
- The simple yet sleek Silhouette handle seems to float enhancing its modern design lines.



SPECIFICATIONS

H 6281 BP — Item 22628153USA

Overall Unit Width - Excluding Fascia Dimension	28 ⁷ / ₁₆ " (722 mm)
Overall Unit Height - Excluding Fascia Dimension	27 ¹³ / ₁₆ " (707 mm)
Overall Unit Depth- Excluding Fascia Dimension	23 ³ / ₄ " (603 mm)
Oven Door Clearance	22" (558 mm)
Overall Fascia Dimensions	29 ¹³ / ₁₆ " (757 mm) W x 28 ⁵ / ₈ " (727 mm) H x 7 ⁷ / ₈ " (23mm) D

Built-In

Minimum Cabinet Opening Width	28 ¹ / ₂ " (724 mm)
Minimum Cabinet Opening Depth	24" (610 mm)
Minimum Cabinet Opening Height	28 ¹ / ₄ " (718 mm)
Minimum Base Support	250 lbs (113 kg)

Additional Cut-Outs Required
Cut-out 4" x 28" (100 cm x 720 cm) in the bottom of the cabinet for power cord and ventilation

Electrical

Electrical Requirements	120/240V, 60Hz, 30A 120/208V, 60Hz, 30A
Power Cord	NEMA 14-30 plug, 6 ft (1.8 m)

Shipping

Shipping Weight	216 lbs
Shipping Dimensions	32 ¹¹ / ₁₆ " W x 35 ¹ / ₁₆ " H x 30 ⁵ / ₁₆ " L

Support

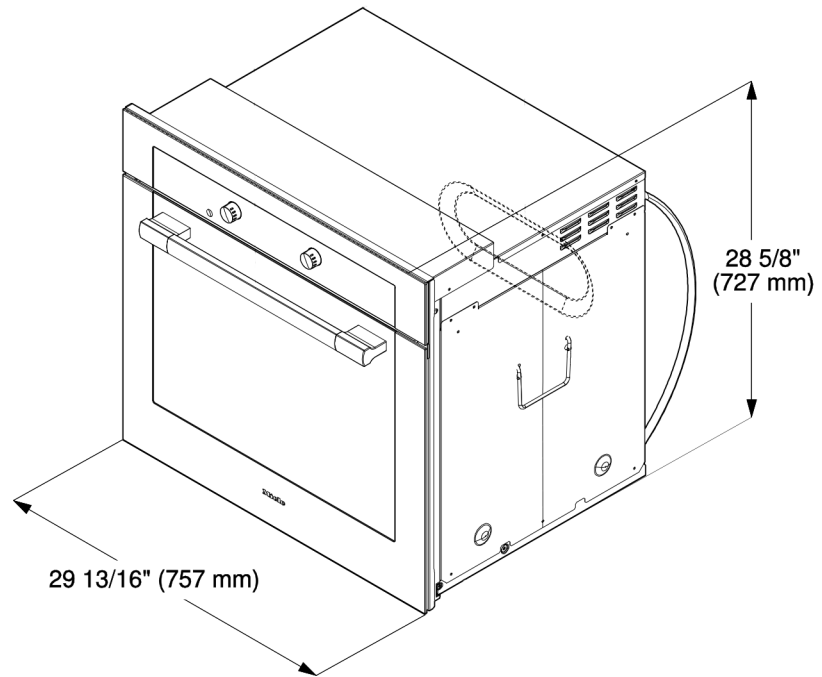
Call Miele	(800) 999-1360
Miele Website	☎www.mieleusa.com
20/20 Link	☎2020technologies.com

PureLine 30" Convection Oven H 6281 BP

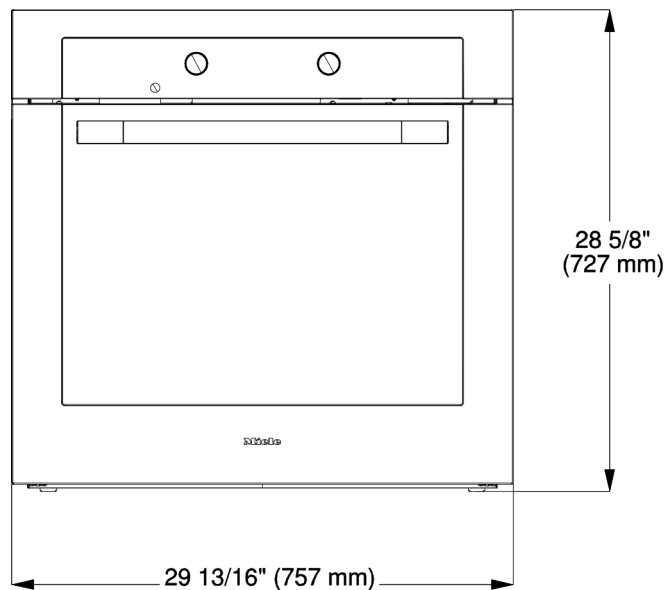


PRODUCT VIEWS

Isometric



Front



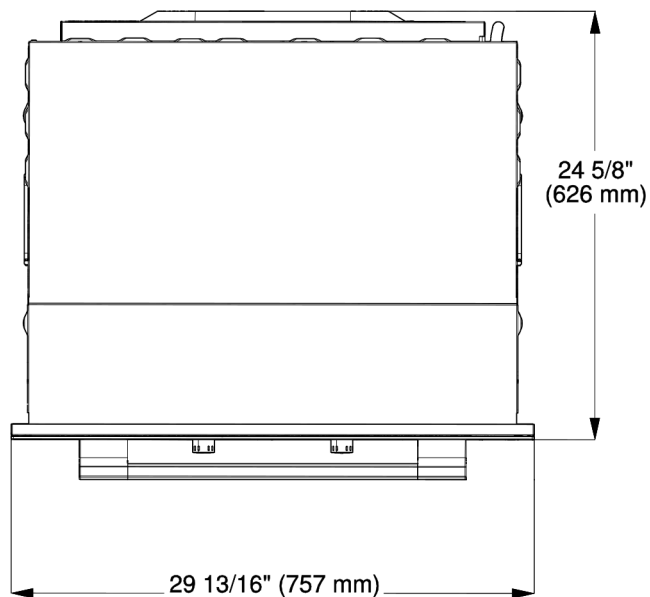
Please note the H 6180 BP is shown

PureLine 30" Convection Oven H 6281 BP

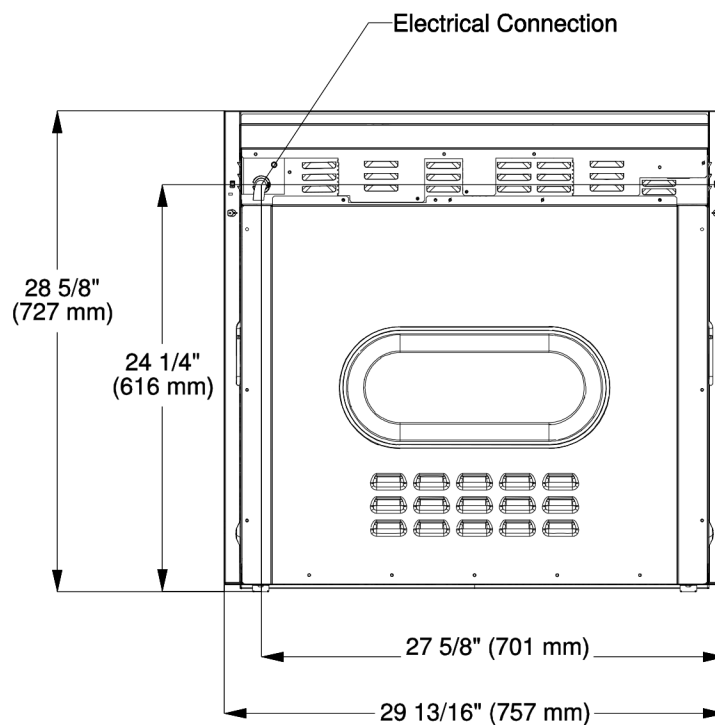


PRODUCT VIEWS

Top View



Rear View

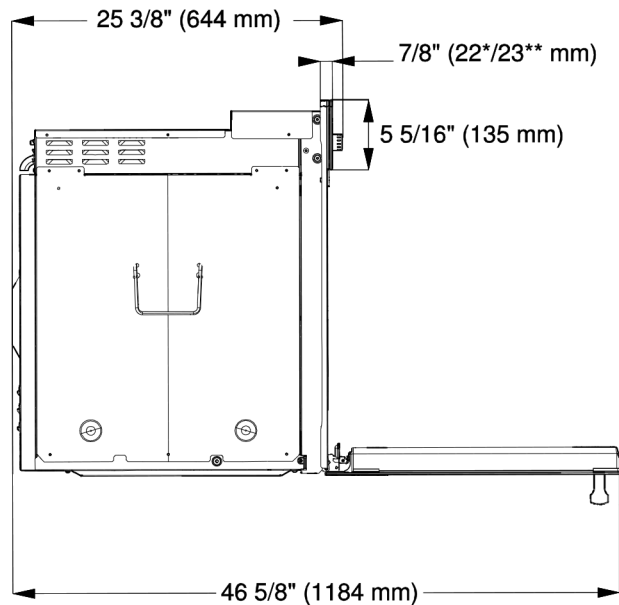


PureLine 30" Convection Oven H 6281 BP



PRODUCT VIEWS

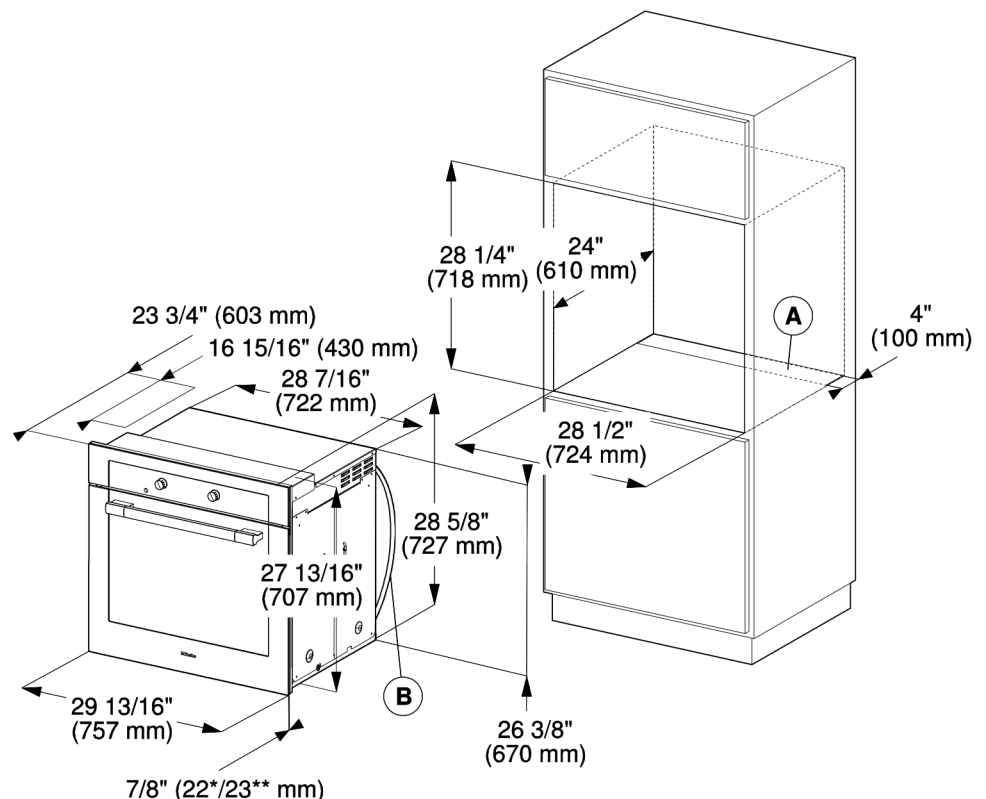
Side View



* Oven with glass front
** Oven with metal front

INSTALLATION SPECIFICATIONS

Installation in Tall Cabinet



- Ⓐ Cut-out (4" x 28" / 100 mm x 720 mm) in the bottom of the cabinet for power cord and ventilation
- Ⓑ Power cord with plug
Please note the H 6180 BP is shown

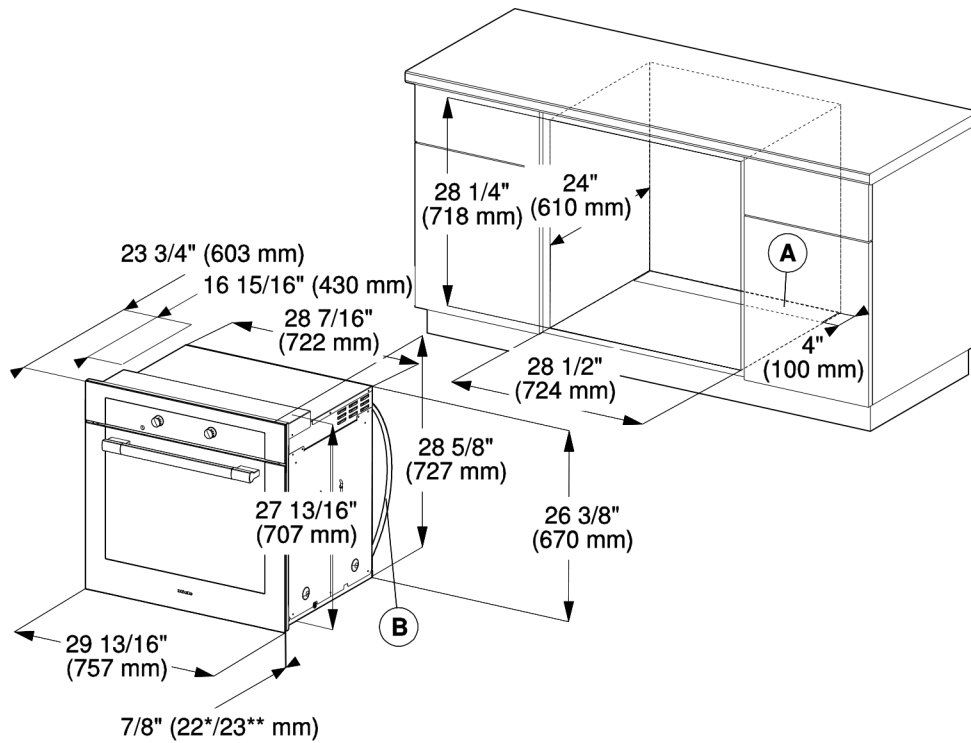
* Oven with glass front
** Oven with metal front

PureLine 30" Convection Oven H 6281 BP



INSTALLATION SPECIFICATIONS

Undercounter Installation



* Oven with glass front
** Oven with metal front

- (A) Cut-out (4" x 28" / 100 mm x 720 mm) in the bottom of the cabinet for power cord and ventilation
- (B) Power cord with plug

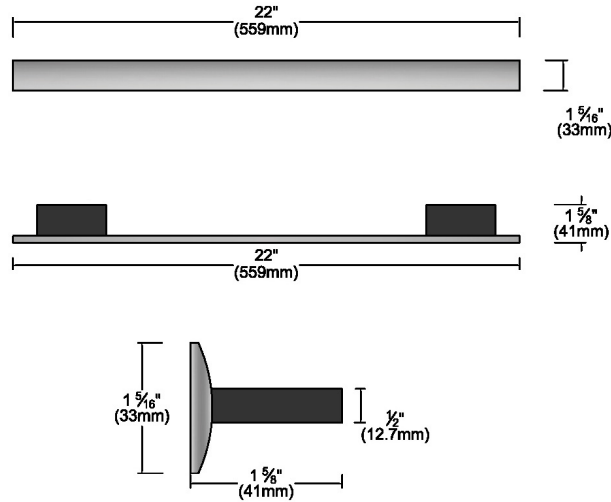
Please note the H 6180 BP is shown

PureLine 30" Convection Oven H 6281 BP



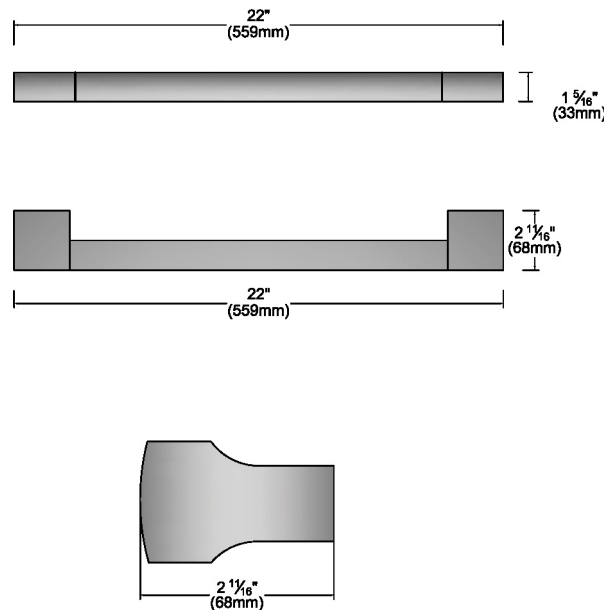
HANDLE DETAILS

All Miele Signature And PureLine
Handle Dimensions



Please note hinges may require adjusting or replacing when changing from a ContourLine Handle to a PureLine or Miele Signature Handle.

All ContourLine Handle
Dimensions



Please note hinges may require adjusting or replacing when changing from a Pureline or Miele Signature handle to a ContourLine Handle.