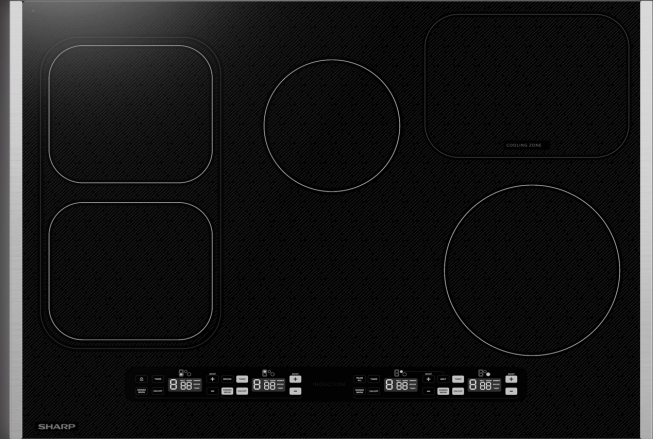


SHARP

Simply Better Living

Induction Cooktop

SCH3043GB**7500
WATTS****30"
WIDTH****Contemporary European Black Mirror Finish Made with Premium EuroKera® Glass****Four Induction Cooking Zones Including a Bridge Zone for Larger Cookware and Griddles****Power Boost Increases Power by up to 67% Depending on Cooking Zone****Easy-to-read, Bright White LED Display****Residual Heat Indicator for Each Cooking Zone****Can be Installed Over a Sharp® 30 in. European Convection Built-In Single Wall Oven****Optional Magnetic Stainless Steel Side Accessory Kit is Convenient for Resting Utensils and Cookware**

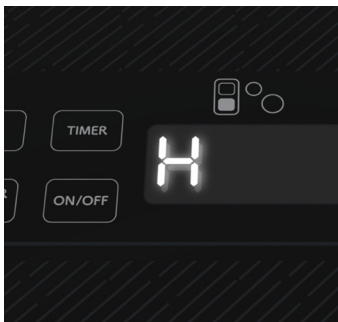
DESIGNED FOR YOUR DREAM KITCHEN

The Sharp® SCH3043GB Induction Cooktop is a powerful, beautiful addition to your dream kitchen. The black mirror finish of the glass surface is a perfect match and can be combined with our Easy Wave Open Microwave Drawer™ Oven and our 30 in. European Convection Built-In Single Wall Oven.

The four cooking zones provide flexibility to orchestrate even your most elaborate entertaining. The SCH3043GB features a variable-sized zone and a convenient Cooling Zone. More precise than gas, more energy efficient than radiant electric, the Sharp Induction Cooktop is faster than both. There is a kitchen timer, and even a Power Boost setting for those times when you just need that pasta water to boil quickly. The Simmer, Melt, and Warm settings provide low, consistent cooking performance for your most delicate soups, sauces, and fondues. Heat is generated directly into the cookware itself, so there is less wasted energy. And without an open flame or radiant coil, spills and splatters are less likely to burn, and a breeze to clean up.

The SCH3043GB has advanced safety features. All of the cooktop controls can be locked-down. Cookware must be present for a cooking zone to turn on, so you won't accidentally turn it on, or leave it on after you remove the pan. Each cooking zone has a dedicated timer to turn off the cooking zone after 99 minutes of use.

Powerful and efficient, fast and flexible, the beautiful Sharp SCH3043GB Induction Cooktop is certainly Simply Better Living.



The residual heat indicator lets you know if a cooking zone is still hot.



The SCH3043GB offers a bridge element for oblong pans and longer cookware.



Simmer Enhancer precisely holds the temperature for extraordinarily consistent simmering.



Bright white LED controls make the touch glass clear and easy to read.



Simply Better Living



Induction Cooktop

SCH3043GB

SPECIFICATIONS

DESIGN

Size	30" Wide
Number of Cooking Zones	4
Color	Black

CONTROLS

Control Type	Glass Touch
Control Location	Front Center
Display	White LED

FEATURES

Power Adjustment Levels	1 - 9
Power Boost Mode "P"	All Zones
Warm "A"	Yes, All Zones
Simmer "A"	Yes, All Zones
Melt "A"	Yes, All Zones
Simmer Enhancer Cooking Zones	Yes, All Zones
1-99 Minute Timer / Zone	Yes, All Zones
Automatic Pan Detection	Yes, All Zones
Pan Size Detection	Yes, All Zones
Residual Heat Indicator "H"	Yes, All Zones
Control Lock	Yes
Auto Turn Off	Yes
Ventilation Spacers	Yes, 4
Cooling Zone	Yes, Right Rear

ZONE ONE

Location	Left Rear
Size	8.26" x 7.08"
Element Performance / Boost	2100W/3500W

ZONE TWO

Location	Left Front
Size	8.26" x 7.08"
Element Performance / Boost	2100W/3500W

ZONE THREE

Location	Middle Rear
Size	5.7"
Element Performance / Boost	1200W/1800W

ZONE FOUR

Location	Right Front
Size	8.26"
Element Performance / Boost	2100W/3500W

BRIDGE ZONE

Location	Left Front + Left Rear
Size	14.50"L x 8.31"W
Element Performance / Boost	3300W Max

OPTIONAL ACCESSORY

Product Name	Magnetic Side Accessory Kit Cooling Rack & Spoon Rest
Model	SKRS00A7FS
Color	Stainless Steel
UPC	074000621596

TECHNICAL DETAILS

Total Wattage	7500W
Voltage	240v, 60Hz
Amps	30A
Agency Certifications	ETL, CETL, FCC, CSA
Approved for Combination	Yes
Installation with Sharp Appliances**	

DIMENSIONS & WEIGHT (in./lbs.) (w x h x d)

Cutout Dimensions	29 3/16" x 4 1/2" x 19 5/8"
Product Dimensions	30.0" x 2 1/2" x 21.0"
Shipping Dimensions	34 3/4" x 9 1/2" x 25.0"
Product Weight / Shipping Weight	44.0 lbs. / 49.0 lbs.

WARRANTY/UPC

Parts	1 year limited
Labor	1 year limited
UPC	074000621602

Approved to be installed over a Sharp® 30 in. European Convection Built-In Single Wall Oven or a Sharp Microwave Drawer™ Oven.

Product specifications and design are subject to change without notice.

© 2022 Sharp Electronics Corporation. All rights reserved.

Sharp and all related trademarks are trademarks or registered trademarks of Sharp Corporation and/or its affiliated companies. All other trademarks are property of their respective owners.

QUESTIONS?

1.800.BE.SHARP

SIMPLY BETTER LIVING

At Sharp Home Electronics Company of America, we are committed to Simply Better Living. Our innovative home appliance products are SIMPLE to use, BETTER than the competition, and encourage a HEALTHY LIFESTYLE.



SHARP

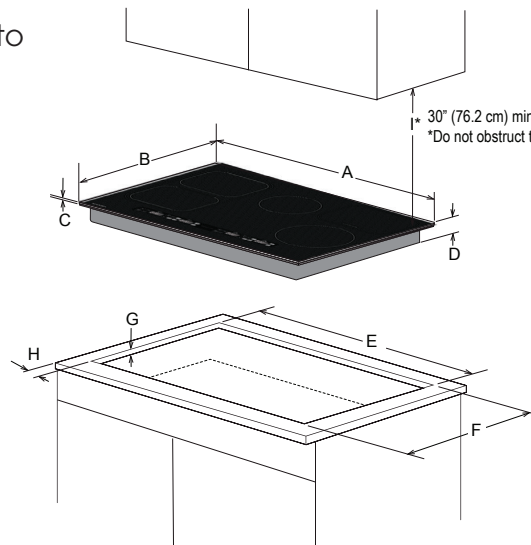
Simply Better Living

Induction Cooktop

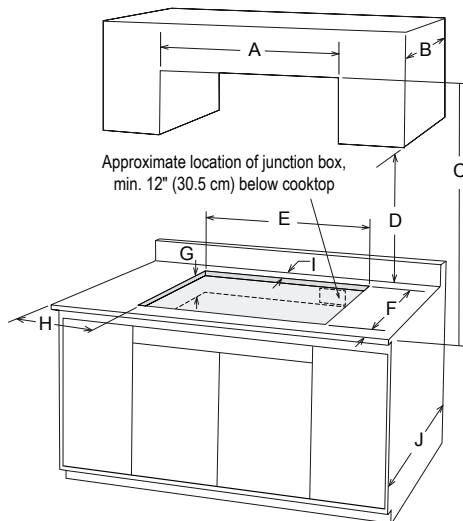
SCH3043GB**7500
WATTS****30"
WIDTH**

The following are measurements only. Do not use to install.

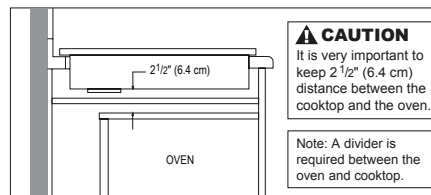
For detailed installation instructions, please refer to the installation manual.

COOKTOP AND CUTOUT DIMENSIONS

- A. 30" (76.2 cm)
- B. 21" (53.3 cm)
- C. 3/16" (5 mm)
- D. 2 11/16" (6.8 cm)
- E. 29 3/16" (74.1 cm)
- F. 19 5/8" (49.8 cm)
- G. Minimum: 13/32" (10 mm)
Maximum: 25/32" (20 mm)
- H. Minimum: 2" (5.1 cm)
- I. Minimum: 30" (76.2 cm)

COOKTOP CUTOUT OPENING DIMENSIONS

- A. 30" (76.2 cm)
- B. 13" (33 cm)
- C. Minimum: 30" (76.2 cm) to unprotected wood
- D. 18" (45.7 cm)
- E. 29 3/16" (74.1 cm)
- F. 19 5/8" (49.8 cm)
- G. 4 1/2" (11.4 cm)
- H. Minimum: 2" (5.1 cm)
- I. Minimum: 1 1/2" (3.8 cm)
- J. 24" (61 cm)

**CAUTION**

It is very important to keep 2 1/2" (6.4 cm) distance between the cooktop and the oven.

Note: A divider is required between the oven and cooktop.

QUESTIONS?

1.800.BE.SHARP**SIMPLY BETTER LIVING**

At Sharp Home Electronics Company of America, we are committed to Simply Better Living. Our innovative home appliance products are SIMPLE to use, BETTER than the competition, and encourage a HEALTHY LIFESTYLE.

SHARP ELECTRONICS CORPORATION
100 Paragon Drive, Montvale NJ, 07645
1.800.237.4277 • www.sharpsusa.com

**SHARP**

Be Original.