

SMITH BROTHERS
of B E R N E

DESIGN Your Way

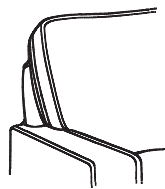
8141 LAF End Wedge, 8101 Armless Sofa, 8141 RAF Corner Sofa

8000 Series

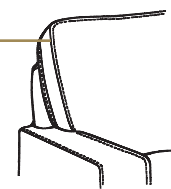
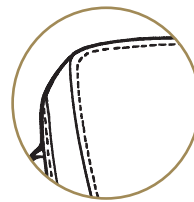


1

CHOOSE YOUR
SEAM



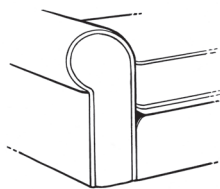
1 - Welt Cord



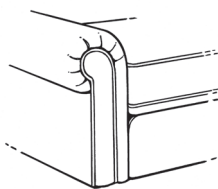
2 - Top Stitch

2

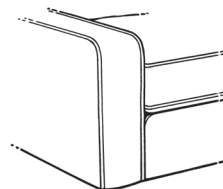
CHOOSE YOUR
ARM



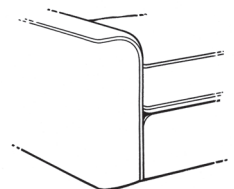
1 - Sock



2 - Panel



3 - Track

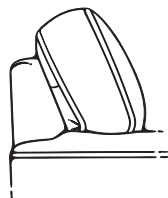


4 - Deco

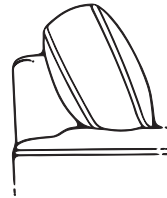
3

CHOOSE YOUR
BACK

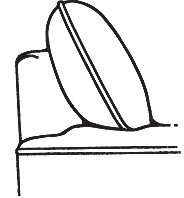
*Loose Pillow Back options incur an additional charge.



1 - Semi-Attached Boxing



2 - Loose Pillow Boxing*



3 - Loose Pillow Knife Edge*

WRITE YOUR
ORDER

8 **1** **2** **3** - ITEM #
 SEAM ARM BACK

For pieces where a style code does not apply (such as arm styles on armless pieces), enter "0" in that position. For example, an Ottoman SKU (item #40) with top stitching would be written as 8200-40. Only the Seam Style Code and the Item Number are needed because Arms and Backs do not apply in this case.

Examples

Standard Pillows

8100 pieces with welt cord: Style #13, 22" pillows with welt cord
8200 pieces with top stitched seams: Style #12, 22" pillows without welt cord



8121-10 Sofa
Welts, Panel Arm, Semi-Attached Back
Standard with one pair style #13, 22" pillows



8141-20 Leather Loveseat
Welts, Deco Arm, Semi-Attached Back
Leather pieces are not standard with pillows



8231-30 Leather Chair
Top Stitch, Track Arm, Semi-Attached Back



8112-31 Chair 1/2
Welts, Sock Arm, Loose Pillow Boxing Back
Standard with one style #13, 22" pillow



8100-41 Ottoman 1/2
Welts, No Arm, No Back



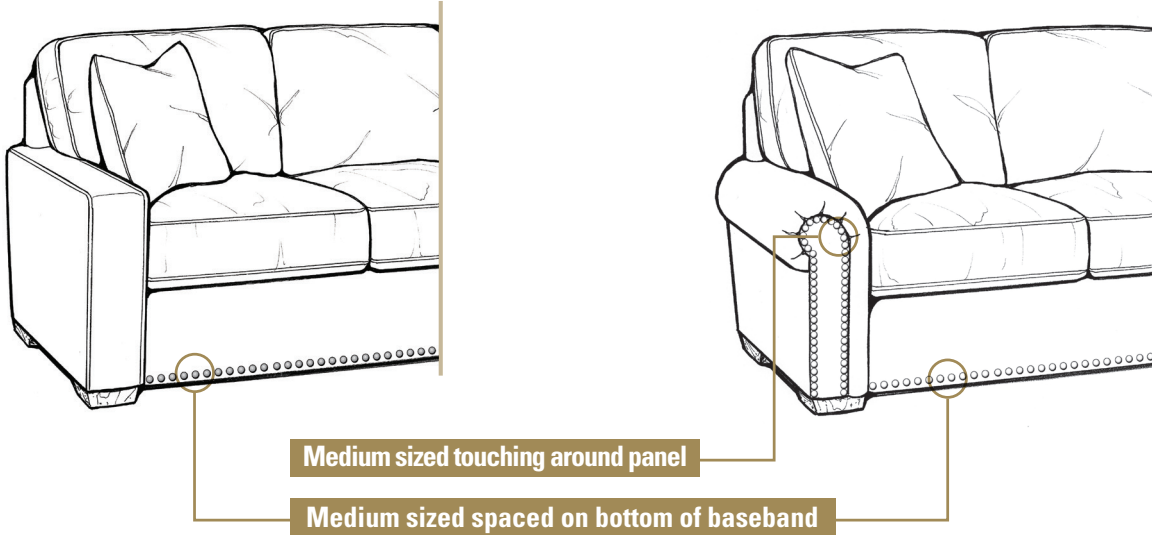
8131-14 LAF Sofa
8131-45 RAF Chaise
Welts, Track Arm, Semi-Attached Back
Standard with two pair style #13, 22" pillows



8143-21 LAF Corner Sofa
8103-26 Armless Loveseat
8143-55 RAF End Wedge
Welts, Deco Arm, Loose Pillow Knife Edge Back
Standard with two pair style #13, 22" pillows

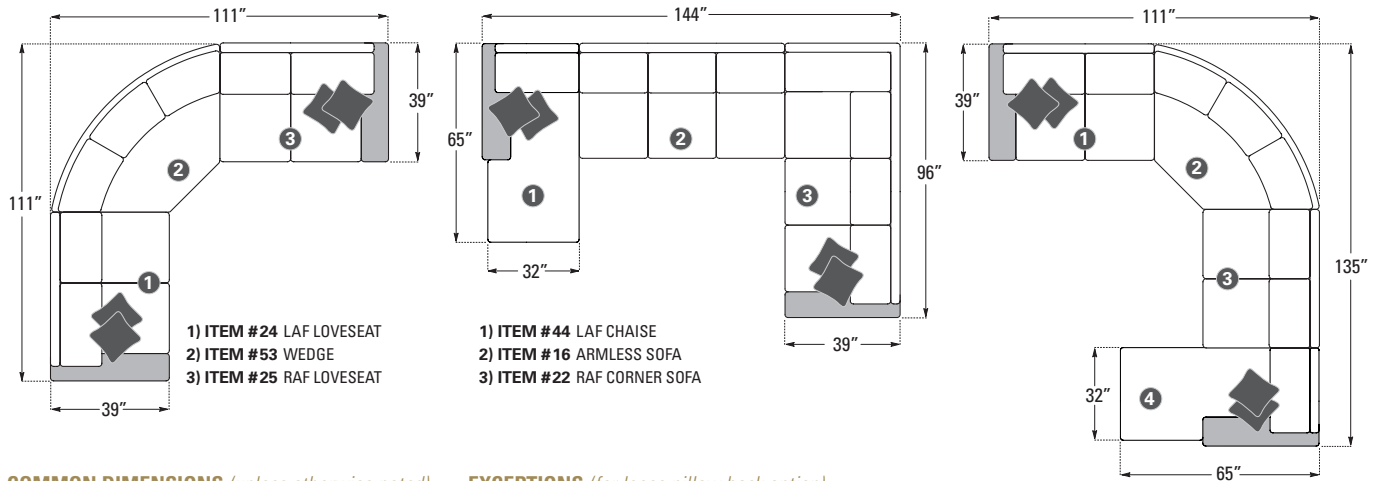
NAILHEAD OPTIONS

The 8000 series is not standard with nailhead, however it is an option. If nailhead is selected, it will be applied in the format shown below. Nailhead will be applied to the bottom of the base. It may be applied to the Panel Arm only, as the other arms cannot accept nailhead.



SAMPLE CONFIGURATIONS

SAMPLE CONFIGURATION DIMENSIONS REPRESENT PANEL AND SOCK ARMS WITH SEMI-ATTACHED BACKS (SEE BELOW FOR EXCEPTIONS). Diagrams below are not to scale. All dimensions are approximate and subject to change without notice.



COMMON DIMENSIONS (unless otherwise noted)

- OVERALL HEIGHT (exceptions below) 36"
- OVERALL DEPTH (exceptions below) 39"
- SEAT HEIGHT..... 19"
- SEAT DEPTH (exceptions on back)..... 23"
- ARM HEIGHT (PANEL/SOCK)..... 23"
- ARM HEIGHT (TRACK/DECO)..... 22"

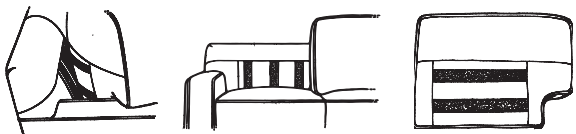
EXCEPTIONS (for loose pillow back option)

- L/RAF CORNER SOFA (loose pillow back) OVERALL LENGTH..... 97"
- CORNER CHAIR (loose pillow back) OVERALL LENGTH..... 40"
- WEDGE DIAGONAL (loose pillow back) LENGTH..... 78"

EXCEPTIONS

- TRACK ARM:** Subtract 3" PER ARM from overall frame length. Inside length does not change.
- DECO ARM:** Subtract 2" PER ARM from overall frame length. Inside length does not change.
- LOOSE PILLOW BACK:** Add 1" to overall depth and overall height for pieces with loose pillow backs. Seat depth does not change.

VELCRO



Leather styles feature velcro on the back side of the loose pillow backs. This method keeps the back cushions in place, as leather has a tendency to be slippery, causing them to slide down over the seat cushion.

8000 SERIES | AVAILABLE PIECES

WEB VERSION: DIAGRAMS NOT TO SCALE
PILLOWS ARE NOT STANDARD ON LEATHER

EXCEPTIONS

NOTE: Sock/Panel Arm with Semi-attached Back (8x11/8x21) example diagrams shown below.

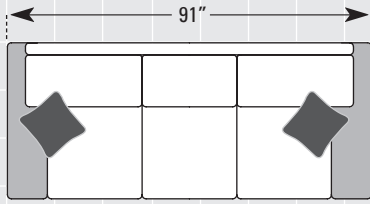
TRACK ARM: Subtract 3" PER ARM from overall frame length. Inside length does not change.

DECO ARM: Subtract 2" PER ARM from overall frame length. Inside length does not change.

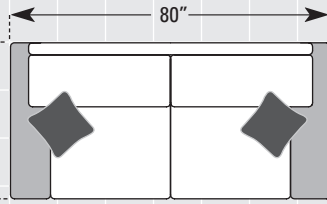
LOOSE PILLOW BACK: Add 1" to overall depth and overall height for pieces with loose pillow backs. Seat depth does not change.

See inside for additional dimensions. All dimensions are approximate and subject to change without notice. See www.smithbrothersfurniture.com for more information.

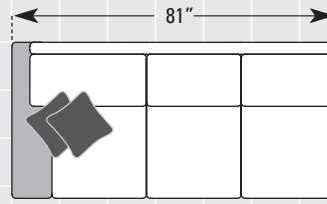
LAF = Left Arm Facing, RAF = Right Arm Facing



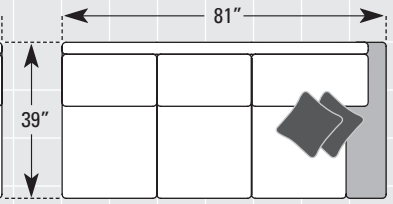
ITEM #10 SOFA
INSIDE LENGTH: 71"



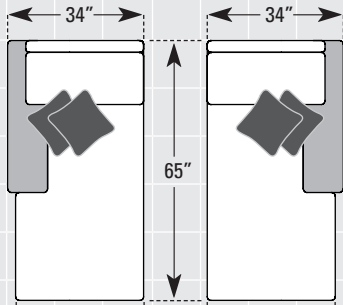
ITEM #11 MID-SIZE SOFA
INSIDE LENGTH: 60"



ITEM #14 LAF SOFA
INSIDE LENGTH: 71"

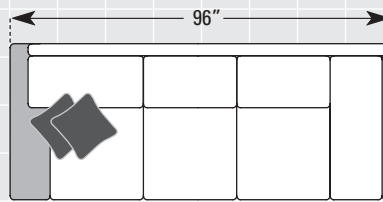


ITEM #15 RAF SOFA
INSIDE LENGTH: 71"

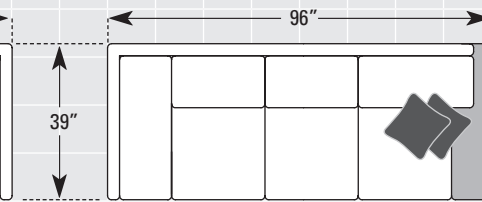


ITEM #44 LAF CHAISE
INSIDE LENGTH: 24"
SEAT DEPTH: 48"

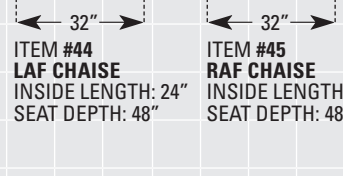
ITEM #45 RAF CHAISE
INSIDE LENGTH: 24"
SEAT DEPTH: 48"



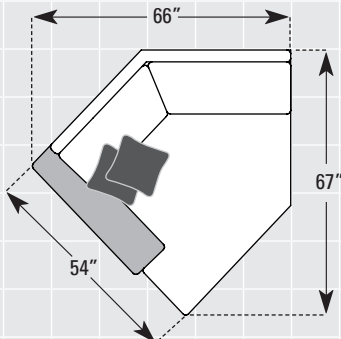
ITEM #21 LAF CORNER SOFA
INSIDE LENGTH: 71"



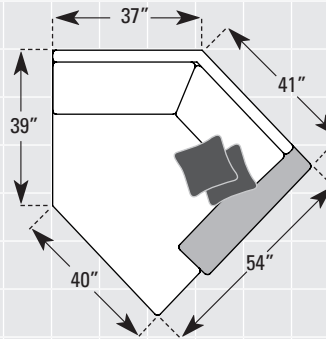
ITEM #22 RAF CORNER SOFA
INSIDE LENGTH: 71"



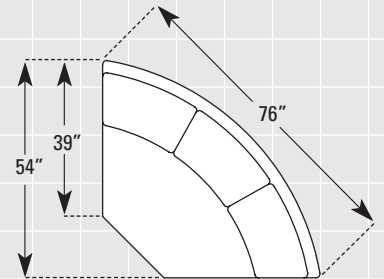
ITEM #20 LOVESEAT
INSIDE LENGTH: 47"



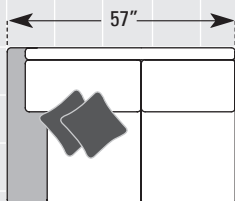
ITEM #54 LAF END WEDGE
SEAT DEPTH: 39"



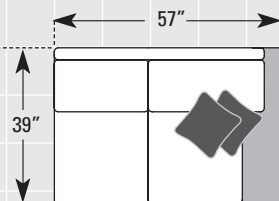
ITEM #55 RAF END WEDGE
SEAT DEPTH: 39"



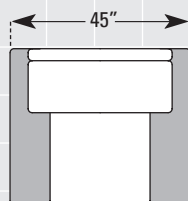
ITEM #53 WEDGE



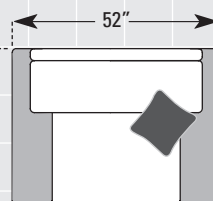
ITEM #24 LAF LOVESEAT
INSIDE LENGTH: 47"



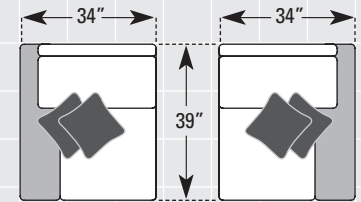
ITEM #25 RAF LOVESEAT
INSIDE LENGTH: 47"



ITEM #30 CHAIR
INSIDE LENGTH: 25"

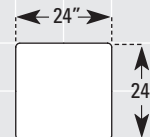


ITEM #31 CHAIR 1/2
INSIDE LENGTH: 32"

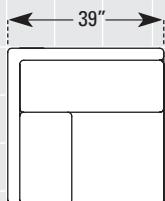


ITEM #34 LAF CHAIR
INSIDE LENGTH: 24"

ITEM #35 RAF CHAIR
INSIDE LENGTH: 24"



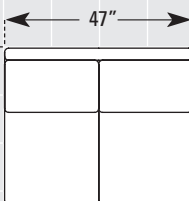
ITEM #42 CHAISE OTTOMAN
HEIGHT: 19"



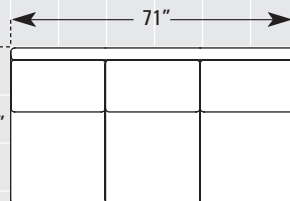
ITEM #32 CORNER CHAIR
INSIDE LENGTH: 24"



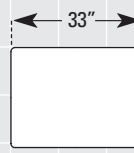
ITEM #36 ARMLESS CHAIR



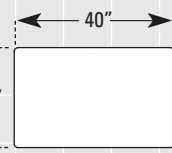
ITEM #26 ARMLESS LOVESEAT



ITEM #16 ARMLESS SOFA



ITEM #40 OTTOMAN
HEIGHT: 16"



ITEM #41 OTTOMAN 1/2
HEIGHT: 16"

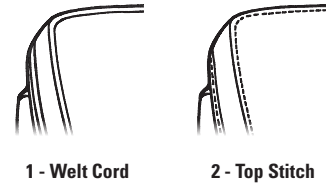
8000 SERIES | 8xxx-53 Wedge

WEB VERSION: DIAGRAMS ARE NOT TO SCALE
ALL DIMENSIONS ARE APPROXIMATE

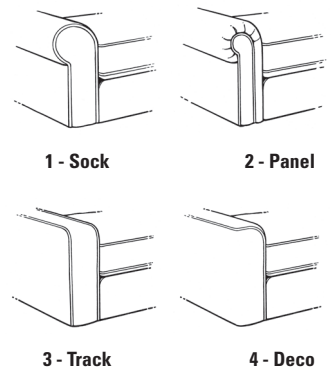
NOTE: THE ARM STYLE CODE DOES NOT APPLY FOR THE #53 WEDGE.
WHEN WRITING THE ITEM NUMBER, ENTER A "0" IN THAT POSITION.

WRITE YOUR ORDER 8 ① ② ③ - ITEM #
SEAM ARM BACK

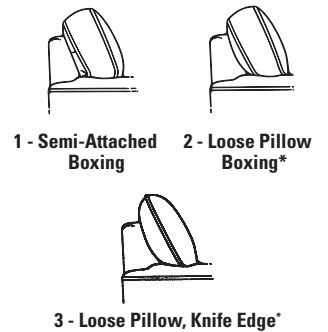
1 CHOOSE YOUR SEAM



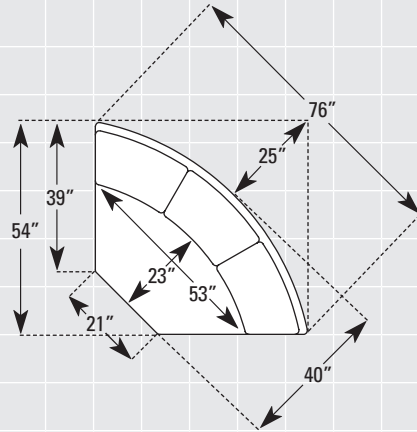
2 CHOOSE YOUR ARM



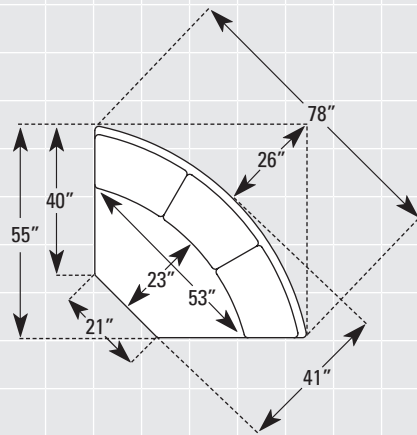
3 CHOOSE YOUR BACK



*Loose Pillow Back option incurs an additional charge.



8x01-53 SEMI-ATTACHED BACK WEDGE
OVERALL HEIGHT: 36"



8x02-53/8x03-53 LOOSE PILLOW BACK WEDGE
OVERALL HEIGHT: 37"

COMMON DIMENSIONS:
SEAT HEIGHT.....19"

Fabric sofas come standard with one pair of 22" style #12 for top stitch or #13 pillows for welt. Leather is not standard with pillows. Please refer to the price list for details.



NOTE: Style code examples with an x represent the possibility for multiple choices in the style codes shown. For example, seam choices do not affect dimensions and are represented with an x in the diagram 8x32-53.

For more information, visit www.smithbrothersfurniture.com.

8000 SERIES | 8xxx-54/55 Semi-attached Back End Wedge

Page 1: Semi-Attached Back 8xx1-54/54 Diagrams

WEB VERSION: DIAGRAMS ARE NOT TO SCALE

ALL DIMENSIONS ARE APPROXIMATE

LAF = Left Arm Facing, RAF = Right Arm Facing

WRITE YOUR ORDER **8** **1** **2** **3** - ITEM #
SEAM ARM BACK

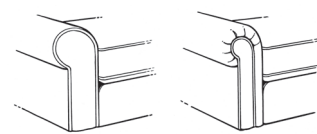
1 CHOOSE YOUR SEAM



1 - Welt Cord

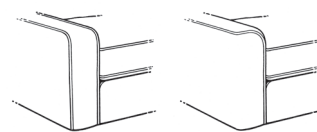
2 - Top Stitch

2 CHOOSE YOUR ARM



1 - Sock

2 - Panel



3 - Track

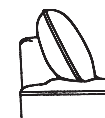
4 - Deco

3 CHOOSE YOUR BACK



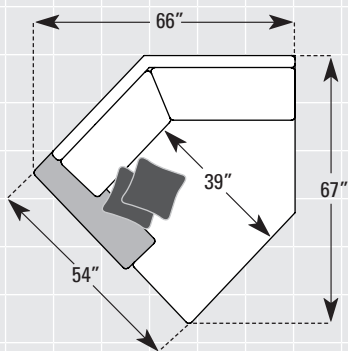
1 - Semi-Attached Boxing

2 - Loose Pillow Boxing*



3 - Loose Pillow, Knife Edge*

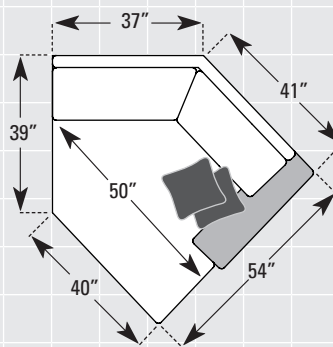
*Loose Pillow Back option incurs an additional charge.



LAF SEMI-ATTACHED BACK WEDGE

SOCK ARM PANEL ARM
8x11-54 **8x21-54**

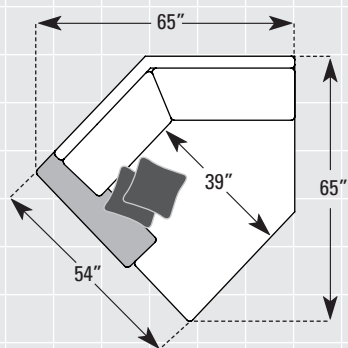
OVERALL HEIGHT: 36" ARM HEIGHT: 23"



RAF SEMI-ATTACHED BACK WEDGE

SOCK ARM PANEL ARM
8x11-55 **8x21-55**

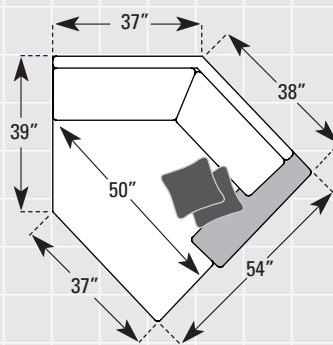
OVERALL HEIGHT: 36" ARM HEIGHT: 23"



LAF SEMI-ATTACHED BACK WEDGE

TRACK ARM DECO ARM
8x31-54 **8x41-54**

OVERALL HEIGHT: 36" ARM HEIGHT: 22"



RAF SEMI-ATTACHED BACK WEDGE

TRACK ARM DECO ARM
8x31-55 **8x41-55**

OVERALL HEIGHT: 36" ARM HEIGHT: 22"

COMMON DIMENSIONS:
SEAT HEIGHT:.....19"

Fabric sofas come standard with one pair of 22" style #12 for top stitch or #13 pillows for welt. Leather is not standard with pillows. Please refer to the price list for details.



NOTE: Style code examples with an x represent the possibility for multiple choices in the style codes shown. For example, seam choices do not affect dimensions and are represented with an x in the diagram 8x32-53.

For more information, visit www.smithbrothersfurniture.com.

8000 SERIES | 8xxx-54/55 Loose Pillow Back End Wedge

Page 2: Loose Pillow Boxing 8x2-54/55 and Loose Pillow Knife Edge 8x3-54/55 Diagrams
 WEB VERSION: DIAGRAMS ARE NOT TO SCALE
 ALL DIMENSIONS ARE APPROXIMATE
 LAF = Left Arm Facing, RAF = Right Arm Facing

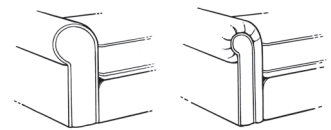
WRITE YOUR ORDER 8 ① ② ③ - ITEM #
 SEAM ARM BACK

1 CHOOSE YOUR SEAM

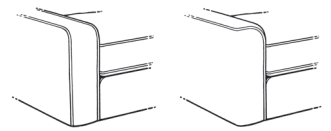


1 - Welt Cord 2 - Top Stitch

2 CHOOSE YOUR ARM



1 - Sock 2 - Panel



3 - Track 4 - Deco

3 CHOOSE YOUR BACK

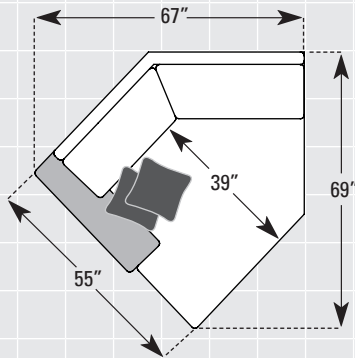


1 - Semi-Attached Boxing 2 - Loose Pillow Boxing*



3 - Loose Pillow, Knife Edge*

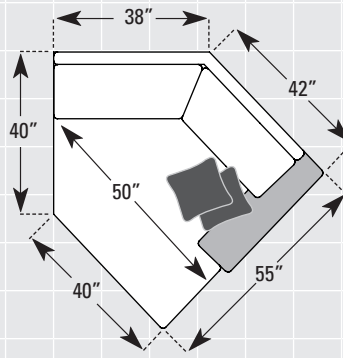
*Loose Pillow Back option incurs an additional charge.



LAF LOOSE PILLOW BACK WEDGE

SOCK ARM PANEL ARM
8x12-54 **8x22-54**
8x13-54 **8x23-54**

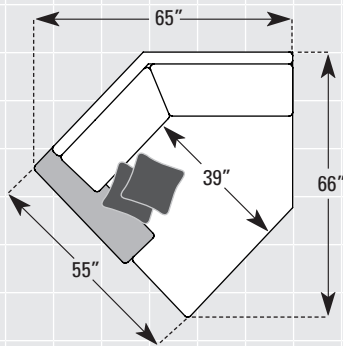
OVERALL HEIGHT: 37" ARM HEIGHT: 22"



RAF LOOSE PILLOW BACK WEDGE

SOCK ARM PANEL ARM
8x12-55 **8x22-55**
8x13-55 **8x23-55**

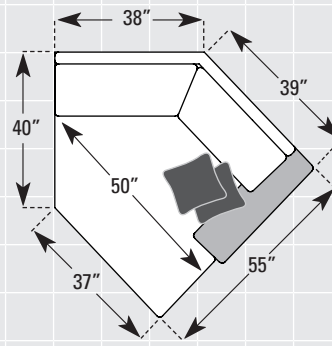
OVERALL HEIGHT: 37" ARM HEIGHT: 22"



LAF LOOSE PILLOW BACK WEDGE

TRACK ARM DECO ARM
8x32-54 **8x42-54**
8x33-54 **8x43-54**

OVERALL HEIGHT: 37" ARM HEIGHT: 22"



RAF LOOSE PILLOW BACK WEDGE

TRACK ARM DECO ARM
8x32-55 **8x42-55**
8x33-55 **8x43-55**

OVERALL HEIGHT: 37" ARM HEIGHT: 22"

COMMON DIMENSIONS:
 SEAT HEIGHT:.....19"

Fabric sofas come standard with one pair of 22" style #12 for top stitch or #13 pillows for welt. Leather is not standard with pillows. Please refer to the price list for details.



NOTE: Style code examples with an x represent the possibility for multiple choices in the style codes shown. For example, seam choices do not affect dimensions and are represented with an x in the diagram 8x32-53.

For more information, visit www.smithbrothersfurniture.com.