

DGC 7785

30" Combi-Steam Oven XXL with DirectWater plus
for steam cooking, baking, roasting with roast probe + menu cooking.



- Large touch display with proximity sensor – M Touch + MotionReact
- Perfect results – DualSteam technology
- Crispy on the outside, succulent on the inside – Combi-Steam
- Miele@home – network-enabled WiFi appliance + Miele Mix & Match
- Easy cleaning – PerfectClean stainless steel oven compartment

EAN: 4002516487869 / Material number: 11875810 / Old Material Number: 23778543USA

| Construction type and design | |
|--|----------------------|
| Combi-Steam Ovens | • |
| Combination steam oven | • |
| ContourLine | • |
| Appliance color | Edelstahl/CleanSteel |
| Appliance color | Clean Touch Steel |
| Convenience features | |
| Rapid PreHeat | • |
| Preheating | • |
| External steam generation | • |
| Climate sensor | • |
| Individual humidity settings in combination cooking | • |
| Menu cooking without transfer of taste | • |
| Miele Mix & Match | • |
| Roast probe | con cable |
| Roast probe | With cable |
| Automatic programs with individual setting of the cooking result | • |
| Keep-warm function | • |
| Crisp function | • |
| Operating modes | |
| Defrost | • |
| MasterChef automatic programs | • |
| Country-specific automatic programs | • |
| Combi cooking | • |
| Combi Steam with Convection Bake | • |
| Combi Steam with Surround | • |
| Combi Steam with Maxi Broil | • |
| Steam cooking | • |
| Sous-vide | • |
| Reheating | • |
| Roast with moisture | • |
| Broiling operating modes | • |
| Maxi Broil | • |
| Broil | • |
| Convection Bake | • |
| Convection Roast | • |
| Intensive Bake | • |
| Cake plus | • |
| Surround | • |
| Browning | • |
| Bake | • |
| Convection Roast | • |
| Warm-up cookware | • |
| Special modes | • |
| User convenience | |
| Networking with Miele@home | • |
| Display | M Touch |
| Clear text on control panel | • |
| MotionReact: Light comes on when movement is detected | • |

DGC 7785

30" Combi-Steam Oven XXL with DirectWater plus

for steam cooking, baking, roasting with roast probe + menu cooking.



EAN: 4002516487869 / Material number: 11875810 / Old Material Number: 23778543USA

| | |
|--|---|
| MotionReact: Display comes on when movement is detected | • |
| MotionReact: Audible signal to acknowledge when movement is detected | • |
| MotionReact: Detection of cabinet fronts | • |
| SoftOpen | • |
| SoftClose | • |
| ComfortSwivel handle | • |
| MultiLingua | • |
| MyMiele | • |
| Show me how | • |
| Motorized lift-up control panel with SoftClose | • |
| Quantity-independent cooking | • |
| Steam cooking on up to 4 levels at the same time | • |
| Automatic menu cooking | • |
| Steam reduction before end of programme | • |
| Polyphonic acoustic signals | • |
| Timers | • |
| Time of day display | • |
| Date display | • |
| Minute minder | • |
| Programming start of cooking duration | • |
| Programming end of cooking duration | • |
| Programmable cooking time | • |
| Actual temperature display | • |
| Desired temperature display | • |
| Audible signal when desired temperature is reached | • |
| Default temperature | • |
| Favorites | • |
| Sabbath program | • |
| Individual settings | • |
| MotionReact DG | • |
| Cleaning convenience | |
| Clean Touch Steel surface | • |
| Stainless-steel cavity with linen surface structure | • |
| Foldable broil heater element | • |
| External steam generator | • |
| Floor heater element for condensate reduction | • |
| Maintenance programs | • |
| Soak program | • |
| Rinse program | • |
| Cavity drying program | • |
| Quick-release side racks | • |
| Removable side racks | • |
| Automatic descaling | • |
| Descaling | • |
| CleanGlass door | • |
| Steam technology and Water supply | |
| MultiSteam | • |
| DirectWater plus | • |
| Drain filter | • |

DGC 7785

30" Combi-Steam Oven XXL with DirectWater plus

for steam cooking, baking, roasting with roast probe + menu cooking.

EAN: 4002516487869 / Material number: 11875810 / Old Material Number: 23778543USA

| Safety | |
|---|----------------|
| Appliance cooling system and cool touch front | • |
| Safety cut-out | • |
| System lock | • |
| Vapor cooling system | • |
| Sensor lock | • |
| Technical data | |
| No. of rack levels | 4 |
| Labeling of rack levels | • |
| Door hinge side | Bottom |
| Door hinge side | unten |
| Oven interior lighting | BrilliantLight |
| Niche width min. in inches (mm) | 28 5/8 (724) |
| Niche width min. in inches (mm) | 724 |
| Niche width max. in inches (mm) | 28 5/8 (724) |
| Niche width max. in inches (mm) | 724 |
| Niche height min. in inches (mm) | 24 1/8 (610) |
| Niche height min. in inches (mm) | 610 |
| Niche height max. in inches (mm) | 24 1/4 (615) |
| Niche height max. in inches (mm) | 615 |
| Niche depth in in. (mm) | 610 |
| Niche depth in in. (mm) | 24 1/8 (610) |
| Appliance width in in. (mm) | 29 7/8 (757) |
| Appliance width in in. (mm) | 757 |
| Appliance height in in. (mm) | 24 1/2 (620) |
| Appliance height in in. (mm) | 619.5 |
| Appliance depth in in. (mm) | 22 5/8 (573) |
| Appliance depth in in. (mm) | 573 |
| Weight in lbs. (kg) | 52.55 |
| Weight in lbs. (kg) | 116 (52.5) |
| Total connected load in kW | 2.80-3.70 |
| Power Rating in V | 0 |
| Usable voltage range in V | 240/208 |
| Frequency in Hz | 60 |
| Number of phases | 2 |
| Fuse rating in A | 20 |
| Connection wire with plug | • |
| Length of power cord in in. (m) | 2 |
| Length of water inlet hose in ft. (m) | 3.0 |
| Length of water inlet hose in ft. (m) | 9 (3.0) |
| Length of water drain hose in ft. (m) | 3.0 |
| Length of water drain hose in ft. (m) | 9 (3.0) |
| Replacing bulbs | Kundendienst |
| Accessories supplied | |
| PerfectClean universal baking tray | 1 |
| PerfectClean baking and roasting rack | 1 |
| FlexiClip telescopic runners with PerfectClean (pair) | 1 |
| Removable side racks with PerfectClean (pair) | 1 |
| Perforated stainless-steel cooking container | 2 |
| Unperforated stainless-steel cooking containers | 1 |
| Descaling tablets | 2 |

DGC 7785

30" Combi-Steam Oven XXL with DirectWater plus

for steam cooking, baking, roasting with roast probe + menu cooking.



EAN: 4002516487869 / Material number: 11875810 / Old Material Number: 23778543USA

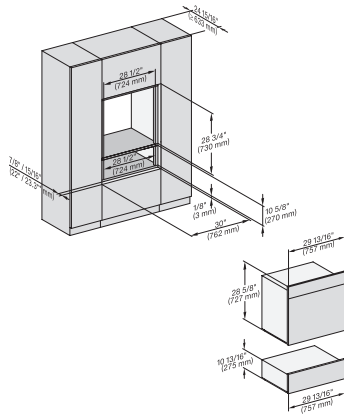
Available display languages

Available display languages via MultiLingua

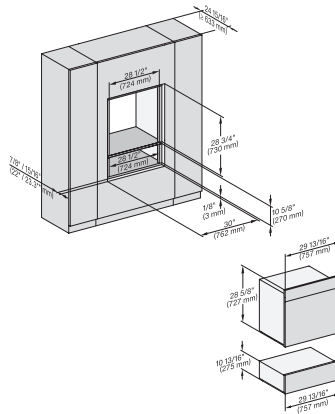
bahasa malaysia, dansk,
deutsch, english, español,
français, hrvatski, italiano,
magyar, nederlands,
norsk, polski, portugês,
русский, română,
slovenčina, slovenščina,
srpski, suomi, svenska,
türkçe, українська, čeština,
ελληνικά, , , ,

DGC 7785

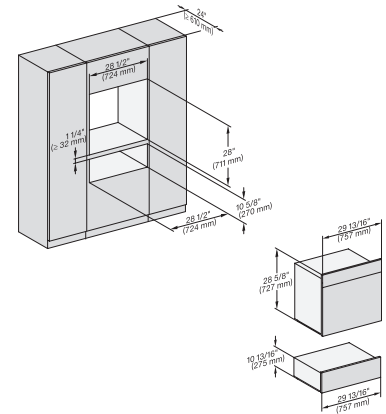
30" Combi-Steam Oven XXL with DirectWater plus
for steam cooking, baking, roasting with roast probe + menu cooking.



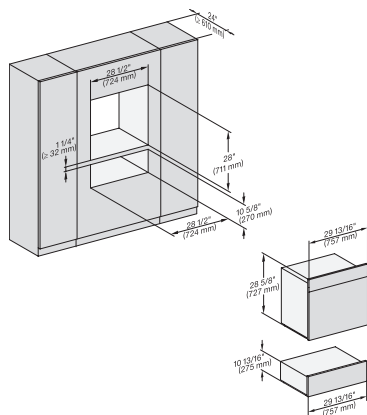
H 6x80 BP, ESW 6x80, H 6x80-2BP, DGC7x8x, H7x8x, ESW7x80, H 2x8x Fitting Combi, Installation drawing, Flush inset, NA



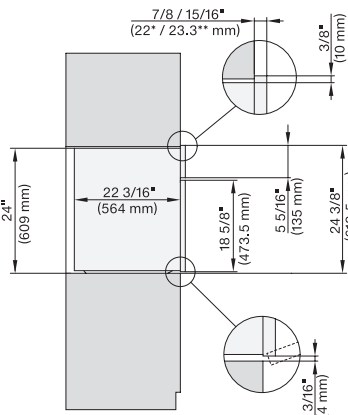
H 6x80 BP, ESW 6x80, H 6x80-2BP, DGC 7x8x, H 2x80BP, H 7x80 BP/BPX, ESW 7x80 Installation drawing, Flush inset, NA



H6x80BP, ESW6x80, H6x80-2BP, DGC7xxx, H2x80BP, H7x80BPX, ESW7x80, Fitting Combi, Installation drawing, Proud, NA

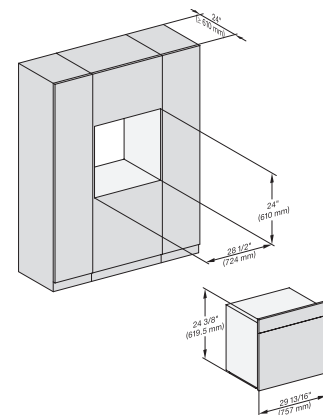


H 6x80 BP, ESW 6x80, H 6x80-2BP, NA7000 Fitting Combi wide front, Installation drawing, Proud, NA

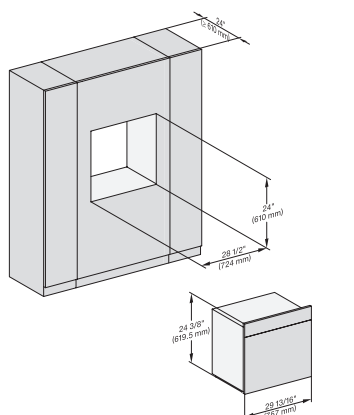


DGC7x8x, side view, 30 Zoll, Proud

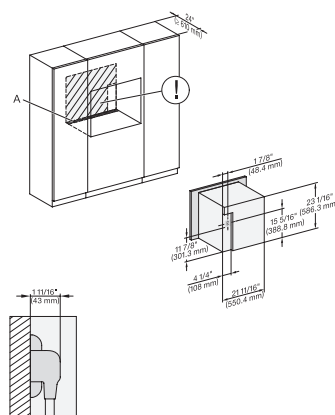
7/8" – 22* mm – Glass, 15/16" – 23.3** mm – Stainless steel



DGC7x8x(X), Einbau, 30 Zoll, Proud, XXL

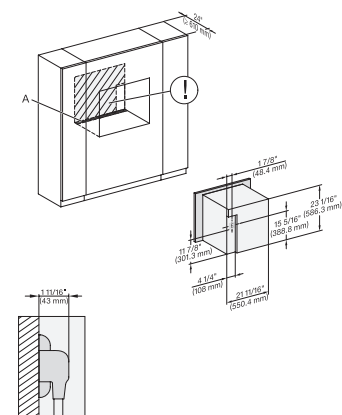


DGC7x8x, Einbau, 30 Zoll, Proud, wide front, XXL,



DGC786x(+EBA6808), DGC7x8x, Installation, 30 Zoll, Proud, XXL,

A – Cut-out (4" x 28" / 100 mm x 720 mm) in the bottom of the cabinet for power cord and ventilation, – Electrical and water supplies are recommended to be placed in adjacent cabinetry., Additional cabinet depth is required when placing the electrical and water supplies behind the appliance., E = Electric connection

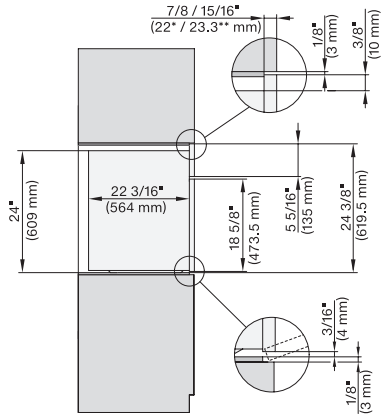


DGC786x(+EBA7848), DGC7x8x, Installation, 30 Zoll, Proud, wide front, XXL,

A – Cut-out (4" x 28" / 100 mm x 720 mm) in the bottom of the cabinet for power cord and ventilation, – Electrical and water supplies are recommended to be placed in adjacent cabinetry., Additional cabinet depth is required when placing the electrical and water supplies behind the appliance., E = Electric connection

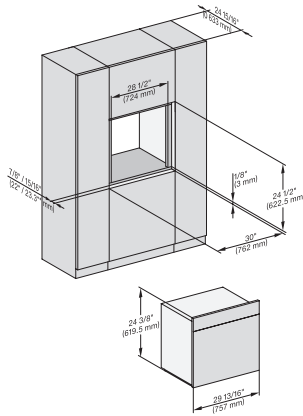
DGC 7785

30" Combi-Steam Oven XXL with DirectWater plus
for steam cooking, baking, roasting with roast probe + menu cooking.



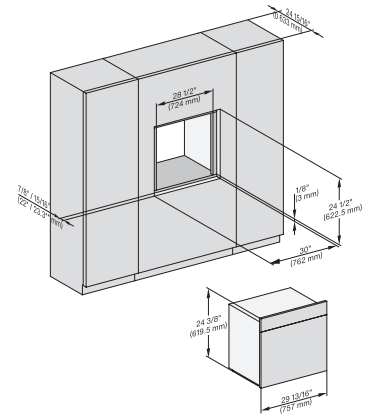
DGC7x8x(X), side view, 30 Zoll, Flush inset, XXL

7/8" – 22" mm – Glass, 15/16" – 23.3** mm – Stainless steel



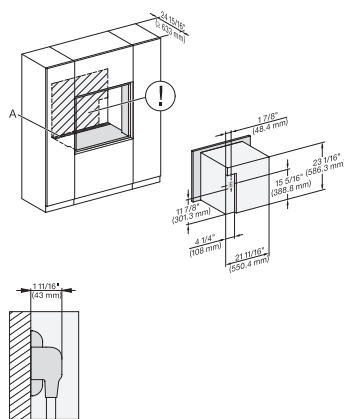
DGC7x8x(X), Einbau, 30 Zoll, Flush inset, XXL

7/8" – 22" mm – Glass, 15/16" – 23.3** mm – Stainless steel



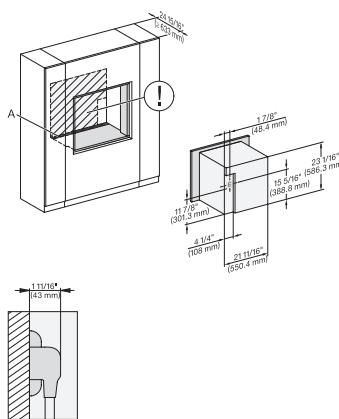
DGC7x8x(X), Einbau, 30 Zoll, Flush inset, wide front, XXL

7/8" – 22" mm – Glass, 15/16" – 23.3** mm – Stainless steel



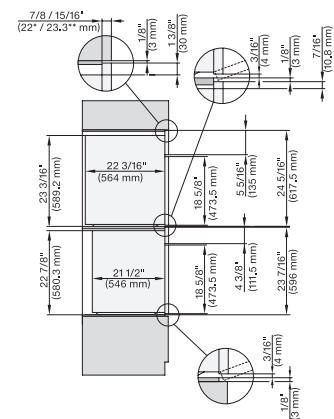
DGC7x8x(X)+EBA6808, Installation, 30 Zoll, Flush inset, XXL

A – Cut-out (4" x 28" / 100 mm x 720 mm) in the bottom of the cabinet for power cord and ventilation. – Electrical and water supplies are recommended to be placed in adjacent cabinetry. Additional cabinet depth is required when placing the electrical and water supplies behind the appliance. E = Electric connection



DGX7xxx(+EBA7848), Installation, 30 Zoll, Flush inset, wide front, XXL

A – Cut-out (4" x 28" / 100 mm x 720 mm) in the bottom of the cabinet for power cord and ventilation. – Electrical and water supplies are recommended to be placed in adjacent cabinetry. Additional cabinet depth is required when placing the electrical and water supplies behind the appliance. E = Electric connection

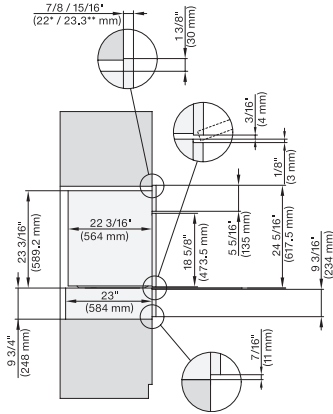


DGC7x8x, H7x6x+EBA7868, side view, 30 Zoll, Flush inset, combi, XXL, 650S

7/8" – 22" mm – Glass, 15/16" – 23.3** mm – Stainless steel

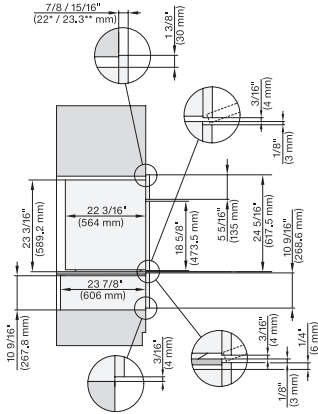
DGC 7785

30" Combi-Steam Oven XXL with DirectWater plus
for steam cooking, baking, roasting with roast probe + menu cooking.



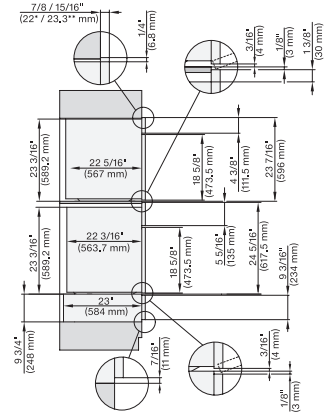
DGC7x8x, ESW7x70, EVS7670, side view, 30 Zoll. Proud, combi, XXL

7/8" – 22" mm – Glass, 15/16" – 23.3" mm – Stainless steel



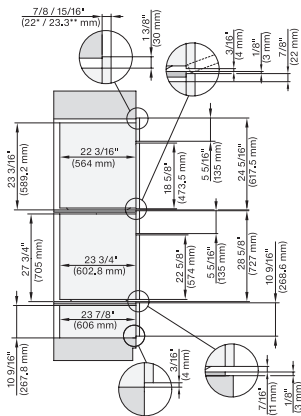
DGC7x8x, ESW7x80, side view, 30 Zoll, Proud, combi, XXL

7/8" – 22" mm – Glass, 15/16" – 23.3" mm – Stainless steel



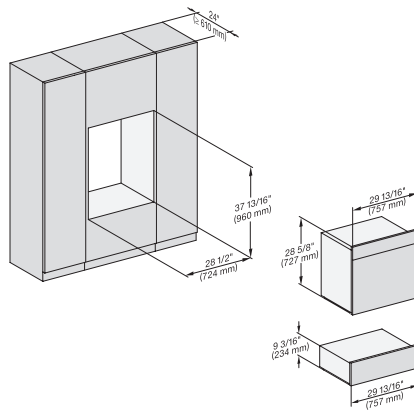
DGC786x+EBA7868, DGC7x8x, ESW7x70, EVS7670, side view, 30 Zoll, Proud, combi, XXL

7/8" – 22" mm – Glass, 15/16" – 23.3" mm – Stainless steel



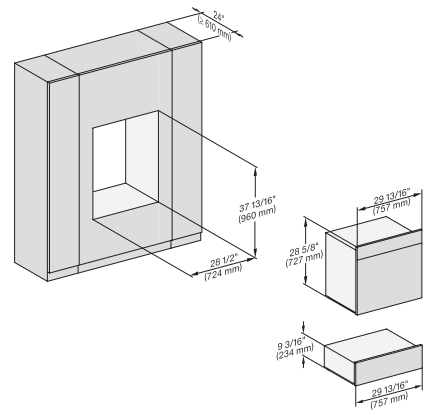
DGC7x8x(X), H2x80BP, H7x8xBP(X), ESW7x80, side view, 30 Zoll, Proud, combi, XXL, 650

7/8" – 22" mm – Glass, 15/16" – 23.3" mm – Stainless steel

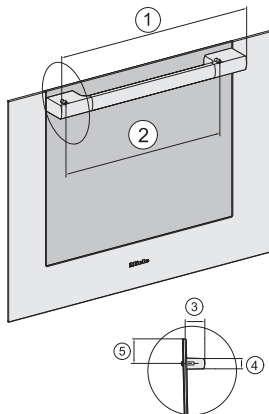


DGC7x8x, ESW7x70, EVS7670, Einbau, 30 Zoll, Proud, combi, XXL

7/8" – 22" mm – Glass, 15/16" – 23.3" mm – Stainless steel



DGC7x8x, ESW7x70, EVS7670, Einbau, 30 Zoll, Proud, combi, wide front, XXL



Handle 30" DGC73xx, DGC75xx, DGC77xx, H71xx, H75xx, H77xx, ContourLine – NA7000 - Installation drawing

21 1/8" / 536 mm, 17 1/2" / 444 mm, 2 1/2" / 64 mm, 1 3/8" / 35 mm, 1 7/16" / 37 mm