

MHES1738F

1.7 cu. ft. Wi-Fi Enabled Over-the-Range
Convection Microwave Oven with Air Fry

Convection Technology

Air Fry

Steam Cooking

Stainless Steel Interior

WideView™ Window

PrintProof™ Finish

Wi-Fi Connect (works with ThinQ®)

Child Lock

Glass Touch Controls

Pocket Handle

Back Lit Lighting

Scan-to-Cook



CAPACITY	
Oven Capacity (cu.ft.)	1.7
FEATURES	
Microwave Power Output (Watts)	950
Convection Power Output (Watts)	1550
Exterior Design	WideView™ Window (One body frame Monitor look)
Control Type	Glass Touch (SmoothTouch™)
Control Location	Bottom (Backlighting)
Display	White LED Scrolling, 2 lines
COOKING FEATURES	
EasyClean® Interior	No (STS)
Convection	Yes
Air Fry	Yes
Sensor Cook Options	Yes
Power Levels	10
Defrost	Auto
Sensor Reheat	Yes
Auto Cook Options	11 (Auto Defrost, Sensor Cook, Sensor Reheat, Steam Cook, Popcorn, Soften, Melt, Kids Meal, Simmer, Speed Combi., Air Fry)
Custom Settings	Yes
Dehydrate (Drying)	Yes
Scan to Cook	Yes
CONVENIENCE FEATURES	
Wi-Fi Connect (works with ThinQ®)	Yes
Racks	1
Turntable Diameter (inches)	13.5"
Clock	Yes
Kitchen Timer	Yes
Completion Beeper	Yes
Turntable On/Off	Yes
Add 30 Second	Yes
Included Accessories	Metal Tray, Steam Bowl, Metal Rack
LIGHTING	
Lighting (Exterior)	LED Lighting
Lighting (Interior)	LED Lighting

SAFETY FEATURES	
Child Lock	Yes
VENTING SYSTEM	
Filtration	Charcoal Filter
Exhaust Grease Filter	2
Power Levels	5
Vent Grille Type	Hidden
Vent Air Flow (CFM)	300
MATERIALS/FINISHES	
All Available Colors	PrintProof™ Stainless Steel
Printproof™ Finish	Yes
Interior Color	Stainless steel
DIMENSIONS/CLEARANCES/WEIGHT	
Cavity (WxHxD)	21 10/16" x 9 12/16" x 14 4/16"
Exterior (WxHxD)	29 14/16" x 16 8/16" x 16 6/16"
Net Weight (lbs)	72.3 lbs
Shipping Weight (lbs)	82.2 lbs
Shipping Dimensions (WxHxD)	33 7/16" x 20 15/16" x 19 5/16"
POWER/RATINGS	
Volts	120 / 60
Amps / Watts	14.5A / 1700W
LIMITED WARRANTY	
Parts and Labor	2 Year
Magnetron	5 Years
UPC CODES	
MHES1738F (PrintProof™ Stainless Steel)	195174025642

MHES1738F

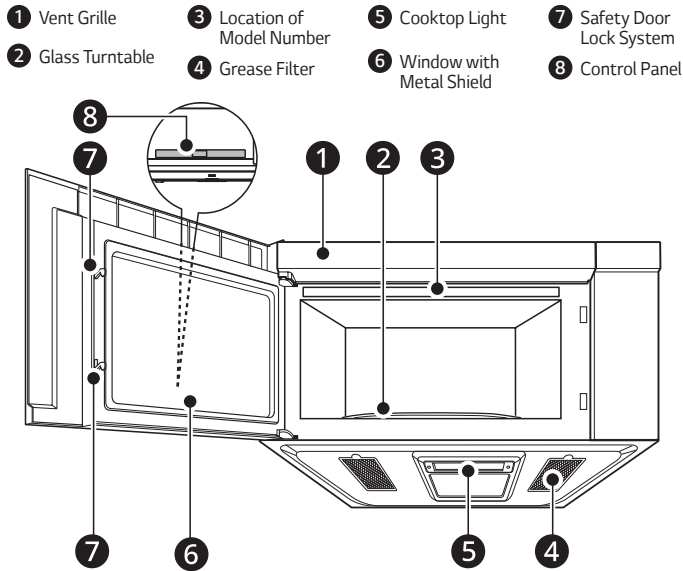
1.7 cu. ft. Wi-Fi Enabled Over-the-Range
Convection Microwave Oven with Air Fry

QUICK INSTALL & CLEARANCES

For full installation directions/clearances please refer to the corresponding User Manual and Installation Guide.

DIMENSIONS / CLEARANCES / WEIGHT	
Cavity (WxHxD)	21 10/16" x 9 12/16" x 14 4/16"
Exterior (WxHxD)	29 14/16" x 16 8/16" x 16 6/16"
Net Weight (lbs)	72.3 lbs
Carton Dimensions (in) (W x H x D)	33 7/16" x 20 15/16" x 19 5/16"
POWER / RATINGS	
ENERGY STAR® Qualified	No
CEE Tier	-
Microwave Power Output (Watts)	950
Convection Power Output (Watts)	1550
Volts	120 / 60
Amps / Watts	14A / 1650W

PREPARING CABINET OPENING



⚠ WARNING

- Do not operate the oven when it is empty or without the glass tray. It is best to leave a glass of water in the oven when not in use. The water will safely absorb all microwave energy, if the oven is accidentally started.

⚠ CAUTION

- To avoid risk of personal injury or property damage, do not use stoneware, metal cookware, or metal rimmed cookware in the oven.
- Keep aluminum foil at least 1 inch from the oven walls, metal rack and other pieces of foil. Foil can cause arcing if it gets too close to the oven walls during cooking.

NOTE

- Use the rack for extra space when cooking in more than one container at the same time. Remove the cooking rack when you are not using it.
- This microwave oven is designed for household use only. It is not recommended for commercial use.
- Do not overcook food. The microwave oven can be damaged.
- A beep sounds each time you press a key. A melody signals the end of a timer or a cooking cycle.

PREPARING CABINET OPENING

DO NOT EXPOSE YOURSELF TO EXCESSIVE MICROWAVE ENERGY!

- DO NOT try to operate the microwave oven with the door open.
- DO NOT tamper with or defeat the safety interlocks.
- DO NOT place objects between the microwave oven front face and the door.
- DO NOT allow soil or cleaner residue to build up on the flat surfaces around the microwave oven door.
- DO NOT operate the microwave oven if it is damaged.
 - The microwave oven door must close properly to operate safely.

DO NOT USE THE MICROWAVE OVEN:

- If the door is bent.
- If the hinges or latches are broken or loose.
- If the door seals, sealing surfaces or glass is broken.

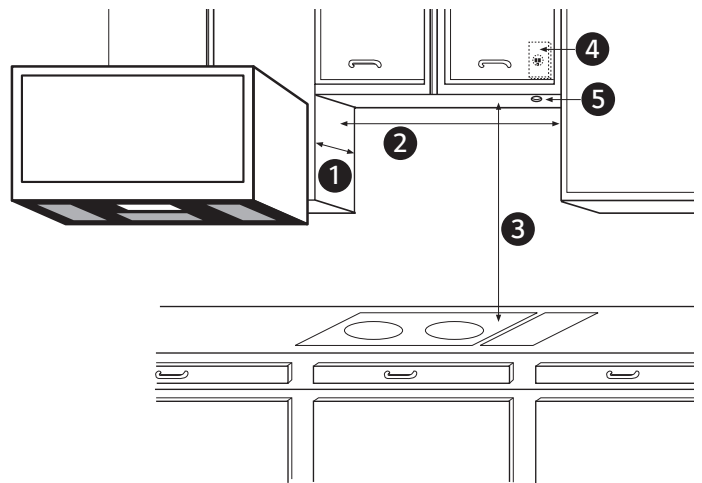
DO NOT ATTEMPT TO ADJUST OR REPAIR THE OVEN YOURSELF!

- It should be adjusted and repaired by a qualified technician who can check for microwave leakage after repairing the oven.

MAKE SURE YOU HAVE ENOUGH SPACE AND SUPPORT.

- Mount the oven against a flat, vertical wall, so that it is supported by the wall. The wall should be constructed of minimum 2" x 4" wood studing and 3/8" thick drywall or plaster/lath.
- ATTACH AT LEAST ONE of the two lag screws supporting the oven to a vertical, 2" x 4" wall stud.
- DO NOT mount the microwave oven to an island or peninsula cabinet.
- BE SURE the upper cabinet and rear wall structures are able to support 150 lbs., plus the weight of any items you place inside the oven or upper cabinet.
- Locate the oven away from strong draft areas, such as windows, doors, and strong heating vents.

Be sure you have enough space. (minimum vertical and horizontal clearance)



- Maximum 13" - cabinet depth
- Minimum 30" - cabinet opening width
- Minimum 30" - clearance from bottom of cabinet to cooking surface or countertop before installation. (Use templates included with installation instructions.)
- Grounded Outlet (inside upper cabinet)
- Power Supply Cord Hole

⚠ CAUTION

- Before you begin installing the oven, PLACE A PIECE OF THE CARTON OR OTHER HEAVY MATERIAL (a blanket) over the countertop or cooktop to protect it. Do not use a plastic cover. Failure to protect these surfaces could result in property damage.