

# SAMSUNG

## Product Guide

# 6.3 cu. ft. Smart Freestanding Electric Range with Rapid Boil™ & Self Clean

**NE63A6311**

Available in:

Stainless Steel

Fingerprint Resistant Black Stainless Steel



# Table of Contents

## NE63A6311 - 6.3 cu. ft. Smart Freestanding Electric Range with Rapid Boil™ & Self Clean

### Product Overview

Product Overview	4
Carousel Image Order	5

### Product Messaging

Features and Benefits	7
-----------------------	---

### Product Specs

Related Products	12
Spec Sheet	13
User Manual and Warranty Information	14

### Feature Icons

16

# Product Overview

---

**NE63A6311 – 6.3 cu. ft. Smart Freestanding Electric Range  
with Rapid Boil™ & Self Clean**

# Product Overview

## Product Title

6.3 cu. ft. Smart Freestanding Electric Range with Rapid Boil™ & Self Clean

## Product Short Description (86 characters)

Elevate the look of your kitchen with Samsung's new Smart Freestanding Electric Range.

## Product Long Description (240 characters)

Elevate the look of your kitchen with Samsung's new Smart Freestanding Electric Range. Our Stainless Steel design elegantly wraps around cooktop sides and up through the slim control panel. Upgraded technology makes cooking simple and fun.

## Available Colors



**Stainless Steel**  
NE63A6311SS



**Fingerprint Resistant  
Black Stainless Steel**  
NE63A6311SG



# Carousel Image Order

Easy Ad Links: **NE63A6311SS**

R.COM <https://dam.gettyimages.com/p/z0c3461/external?q=NE63A6311SS%20Carousel%20RCOM>

S.COM <https://dam.gettyimages.com/p/z0c3461/external?q=NE63A6311SS%20Carousel%20SCOM>

360 Spin <https://dam.gettyimages.com/p/z0c3461/external?q=NE63A6311SS%20360%20>

Easy Ad Links: **NE63A6311SG**

R.COM <https://dam.gettyimages.com/p/z0c3461/external?q=NE63A6311SG%20Carousel%20RCOM>

S.COM <https://dam.gettyimages.com/p/z0c3461/external?q=NE63A6311SG%20Carousel%20SCOM>

360 Spin <https://dam.gettyimages.com/p/z0c3461/external?q=NE63A6311SG%20360%20>








# Product Messaging




---

**NE63A6311 – 6.3 cu. ft. Smart Freestanding Electric Range  
with Rapid Boil™ & Self Clean**

## Features and Benefits – NE63A6311




Overall Product Headline	Feature Name	Long Body Copy	Short Body Copy	Associated Image
<b>Elevated Design</b>	<b>Stainless Steel Design</b>	Our Stainless Steel design elegantly wraps around the cooktop sides and up through the slim control panel, elevating the look of any kitchen. Ergonomic knobs are easy to grip comfortably for precise temperature control. If that’s not enough, tinted glass on the oven door gives your range the upgrade you deserve.	Our Stainless Steel design elegantly wraps around the cooktop sides and up through the slim control panel, elevating the look of any kitchen.	
<b>Make cooking simple with smart technology</b>	<b>Wi-Fi and Voice Control</b>	Preheat, adjust time and temperature of your oven, and monitor your cooktop from wherever you are with your smartphone.* Conveniently use voice to control your oven whether it’s Alexa, Bixby or Google.** <small>*Available on Android or IOS devices. A Wi-Fi connection and a Samsung account are required. ** Bixby is Samsung's brand of artificial intelligence (AI)/Internet of Things (IOT) voice assistant.</small>	Preheat, monitor and adjust time and temperature of your oven from wherever you are using your smartphone.* <small>*Available on Android or IOS devices. A Wi-Fi connection and a Samsung account are required.</small>	
<b>Cook enough for the whole crew</b>	<b>Large Oven Capacity</b>	This large 6.3 cu. ft. oven can fit multiple dishes at one time and can easily accommodate big casserole dishes and large roasting pans.	This large 6.3 cu. ft. oven can fit multiple dishes at one time.	

## Features and Benefits – NE63A6311 (Continued)

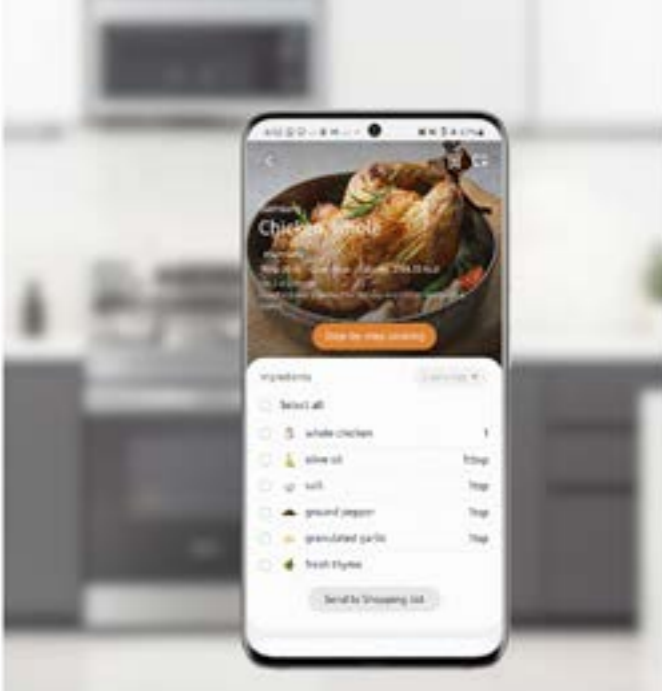
Overall Product Headline	Feature Name	Long Body Copy	Short Body Copy	Associated Image
<p><b>Boil fast</b></p>	<p><b>Rapid Boil™</b></p>	<p>Boil water for your favorite pasta dish fast with the 3300 W Rapid Boil™ burner.</p>	<p>Boil water fast with the 3300 W Rapid Boil™ burner.</p>	 <p>Note: GIF and static assets available (GIF is preferred).</p>
<p><b>More family time, less cleaning</b></p>	<p><b>Self &amp; Steam Clean</b></p>	<p>Keep your oven spotless with Self and Steam Clean. Self Clean deep cleans by heating to a high temperature to burn off grease and food residue. For easier clean ups in 20 minutes, use Steam Clean.</p>	<p>Keep your oven spotless with the Self and Steam Clean.</p>	 <p><b>Self Clean</b>      <b>Steam Clean</b></p>
<p><b>A cooktop that gets it all done!</b></p>	<p><b>Flexible 5-Burner Cooktop</b></p>	<p>This 5-burner cooktop includes 2 adjustable dual ring burners so you can cook with a variety of pot and pan sizes.</p>	<p>This 5-burner cooktop includes 2 adjustable dual ring burners.</p>	



## Features and Benefits – NE63A6311 (Continued)

Overall Product Headline	Feature Name	Long Body Copy	Short Body Copy	Associated Image
<p><b>Cooking simplified with easy preset buttons</b></p>	<p><b>Bread Proof, Keep Warm and Favorite Cook Settings</b></p>	<p>Prepare a variety of foods with the aid of easy preset buttons. With a simple push of a button, you can proof bread and keep meals warm in the oven with precision. And if you have a favorite recipe, conveniently save the settings in the SmartThings mobile app and send them to your oven.*</p> <p><small>*Available on Android or IOS devices. A Wi-Fi connection and a Samsung account are required.</small></p>	<p>Prepare foods with the aid of easy preset buttons. Three preset buttons include: Bread Proof, Keep Warm and Favorite Cook.</p>	
<p><b>Cleaning is seamless</b></p>	<p><b>Hidden Bake Element</b></p>	<p>Spend less time cleaning with the Hidden Bake element at the bottom of the oven which provides a seamless cavity making it easy to clean.</p>	<p>Makes cleaning your oven easy with a seamless cavity interior.</p>	
<p><b>Extra space for your cookware</b></p>	<p><b>Storage Drawer</b></p>	<p>The Storage Drawer provides extra space to keep bakeware or oven accessories. Simply grab a bowl within easy reach to serve food in.</p>	<p>The Storage Drawer provides extra space to keep bakeware or oven accessories.</p>	

## Features and Benefits – NE63A6311 (Continued)

Overall Product Headline	Feature Name	Long Body Copy	Short Body Copy	Associated Image
<p><b>Cooking with a personalized touch</b></p>	<p><b>SmartThings Cooking</b></p>	<p>Samsung’s SmartThings Cooking service* makes meal planning a seamless process. Search, plan, purchase and prep weekly meals via the SmartThings app on your Family Hub™ or smartphone. SmartThings Cooking recommends personalized recipes based on preferences, what’s on hand and recipe search history so you can plan meals for your family more efficiently. Download the SmartThings app to create shopping lists, and add missing ingredients directly to your grocery cart for at-home delivery.</p> <p><small>*Available on Android or IOS devices. A Wi-Fi connection and a Samsung account are required.</small></p>	<p>Search recipes, plan meals, and add any missing ingredients to your grocery cart for at-home delivery with SmartThings Cooking.*</p> <p><small>*Available on Android or IOS devices. A Wi-Fi connection and a Samsung account are required.</small></p>	

# Product Specs

---

**NE63A6311 – 6.3 cu. ft. Smart Freestanding Electric Range  
with Rapid Boil™ & Self Clean**

## Related Products

COLOR	PRODUCT	MODEL
Black Stainless Steel	OTR	ME17R7021EG
	DISH	DW80R5061UG
	REF	RF28T5001SG

Stainless Steel	OTR	ME17R7021ES
	DISH	DW80N3030US
	REF	RF28T5001SR



# Spec Sheet

Easy Ads link

<https://dam.gettyimages.com/p/z0c3461/external?q=NE63A6311SS%20spec%20sheet>

## NE63A6311SS

Samsung Smart Freestanding Electric Range with Rapid Boil™ & Self Clean

6.3 cu. ft. Capacity



**Signature Features**

**Large Oven Capacity**

- This large 6.3 cu. ft. oven can fit multiple dishes at one time.

**Rapid Boil™**

- Boil water fast with the 3300 W Rapid Boil™ burner.

**Easy to Clean**

- Self and Steam Clean keep your oven spotless. The hidden bake element makes cleaning your oven easy with a seamless cavity interior.

**SAMSUNG**



Large Oven Capacity



Rapid Boil™

**Available Colors**

- Stainless Steel (shown)
- Fingerprint Resistant Black Stainless Steel

**Features**

- Stainless Steel Design
- Large Oven Capacity – 6.3 cu. ft.
- Rapid Boil™ 3300 W
- Extra Oven Settings - Bread Proof, Favorite Cook, Keep Warm
- Storage Drawer

**Convenience**

- Wi-Fi Connectivity
- Voice-Enabled
- SmartThings Cooking
- Self & Steam Clean
- Hidden Bake Element
- Sabbath Mode
- Child Safety Lock
- Delay Start
- Auto Oven Light
- Kitchen Timer



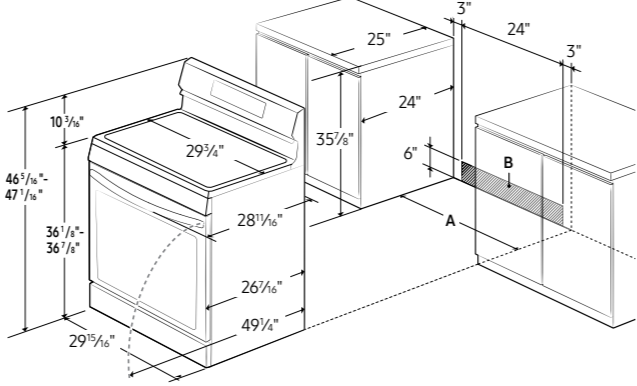



## NE63A6311SS

Samsung Smart Freestanding Electric Range with Rapid Boil™ & Self Clean

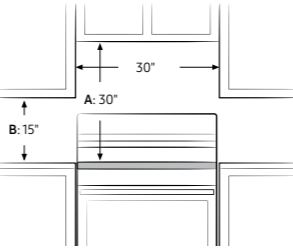
6.3 cu. ft. Capacity

**Installation Specifications**



**A:** Cabinet opening min 30"  
**B:** Acceptable electrical outlet area

**IMPORTANT:** If your cabinets are over 36 1/4" high, you must install this range on a hard, heat-resistant support that raises the surface of the range so that it is about even with the countertop.



**A:** 30" minimum clearance between the top of the cooking surface and the bottom of an unprotected wood or metal cabinet, or 24" minimum when the bottom of the wood or metal cabinet is protected by not less than 1/4" of flame retardant millboard covered with not less than no.28 MSG sheet steel, 0.015" stainless steel, 0.024" aluminum, or 0.020" copper.

**B:** 15" minimum between the countertop and the adjacent cabinet bottom.

**IMPORTANT:** Consult with Installation Manual for detailed instructions before installing. All ranges must be installed with the Anti-Tip device that is included.

**SAMSUNG**

**Power Source**  
 240V/208V/60 Hz/40A

**Electric Cooktop**

- Right Front: 6 7/9" Dual Ring Burner, 3300 W
- Left Front: 6 7/9" Dual Ring Burner, 3300 W
- Right Rear: 6" Burner, 1200 W
- Left Rear: 6" Burner, 1200 W
- Center: Warming Center, 100 W

**Oven**

- Capacity: 6.3 cu. ft.
- Bake
- Variable Broil: Low/High
- Bread Proof

**Warranty**  
 One (1) Year Parts and Labor

**Product Dimensions & Weight (WxHxD)**  
**Oven Interior Dimensions:**  
 24 13/16" x 22 7/16" x 19 3/4"

**Outside Net Dimensions:**  
 29 13/16" x 46 7/16"-47 1/16" (Adjustable) x 28 11/16"

Weight: 131 lbs

**Shipping Dimensions & Weight (WxHxD)**  
**Dimensions:**  
 33 1/16" x 50 7/16" x 30 3/16"

Weight: 154 lbs

**Color**      **Model #**      **UPC Code**

Stainless Steel      NE63A6311SS      887276509396

Fingerprint Resistant      NE63A6311SG      887276509389

Black Stainless Steel



Actual color may vary. Design, specifications, and color availability are subject to change without notice. Non-metric weights and measurements are approximate.  
 ©2021 Samsung Electronics America, Inc. 85 Challenger Road, Ridgefield Park, NJ 07660. Tel: 800-SAMSUNG. samsung.com. Samsung is a registered trademark of Samsung Electronics Co. Ltd.

Spec Sheet - front

Spec Sheet - back

# User Manual and Warranty Information

## Easy Ads link

<https://dam.gettyimages.com/p/z0c3461/external?q=NE63A6311%20User%20Manual>

<https://dam.gettyimages.com/p/z0c3461/external?q=NE63A%20warranty>



## Electric Range

### User manual

NE63\*631\*S\*

User Manual

#### Warranty (U.S.A) – SAMSUNG ELECTRIC RANGE

Models:  
NE63A6111/AA  
NE63A6311/AA  
NE63A6511/AA  
NE63A6711/AA

#### LIMITED WARRANTY TO ORIGINAL PURCHASER WITH PROOF OF PURCHASE

This SAMSUNG brand product, as supplied and distributed by SAMSUNG ELECTRONICS AMERICA, INC. (SAMSUNG) and delivered new, in the original carton to the original consumer purchaser, is warranted by SAMSUNG against manufacturing defects in materials or workmanship for the limited warranty period, starting from the date of original purchase, of:

#### One (1) Year Parts and Labor

This limited warranty is valid only on products purchased and used in the United States that have been installed, operated, and maintained according to the instructions attached to or furnished with the product. To receive warranty service, the purchaser must contact SAMSUNG at the address or phone number provided below for problem determination and service procedures. Warranty service can only be performed by a SAMSUNG authorized service center. The original dated bill of sale must be presented upon request as proof of purchase to SAMSUNG or SAMSUNG's authorized service center to receive warranty service.

SAMSUNG will provide in-home service within the contiguous United States during the warranty period at no charge, subject to availability of SAMSUNG authorized servicers within the customer's geographic area. If in-home service is not available, SAMSUNG may elect, at its option, to provide transportation of the product to and from an authorized service center. If the product is located in an area where service by a SAMSUNG authorized servicer is not available, you may be responsible for a trip charge or required to bring the product to a SAMSUNG authorized service center for service.

To receive in-home service, product must be unobstructed and accessible to the service agent.

During the applicable warranty period, a product will be repaired, replaced, or the purchase price refunded, at the sole option of SAMSUNG. SAMSUNG may use new or reconditioned parts in repairing a product, or replace the product with a new or reconditioned product. Replacement parts and products are warranted for the remaining portion of the original product's warranty or ninety (90) days, whichever is longer. All replaced parts and products are the property of SAMSUNG and you must return them to SAMSUNG.

This limited warranty covers manufacturing defects in materials or workmanship encountered in normal household, noncommercial use of this product and shall not cover the following: damage that occurs in shipment, delivery, installation, and uses for which this product was not intended; damage caused by unauthorized modification or alteration of the product; product where the original factory serial numbers have been removed, defaced, changed in any way, or cannot

Warranty

# Feature Icons

---

**NE63A6311 – 6.3 cu. ft. Smart Freestanding Electric Range  
with Rapid Boil™ & Self Clean**

# Feature Icons



Elevated Design



Wi-Fi Connectivity

6.3cu.ft.

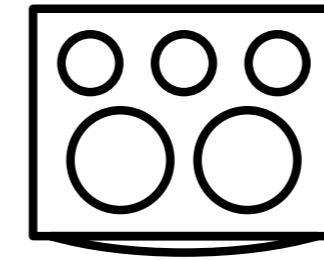
Large Oven Capacity

3.3kWh  


Rapid Boil™



Self & Steam Clean



Flexible 5-Burner Cooktop



**SAMSUNG**