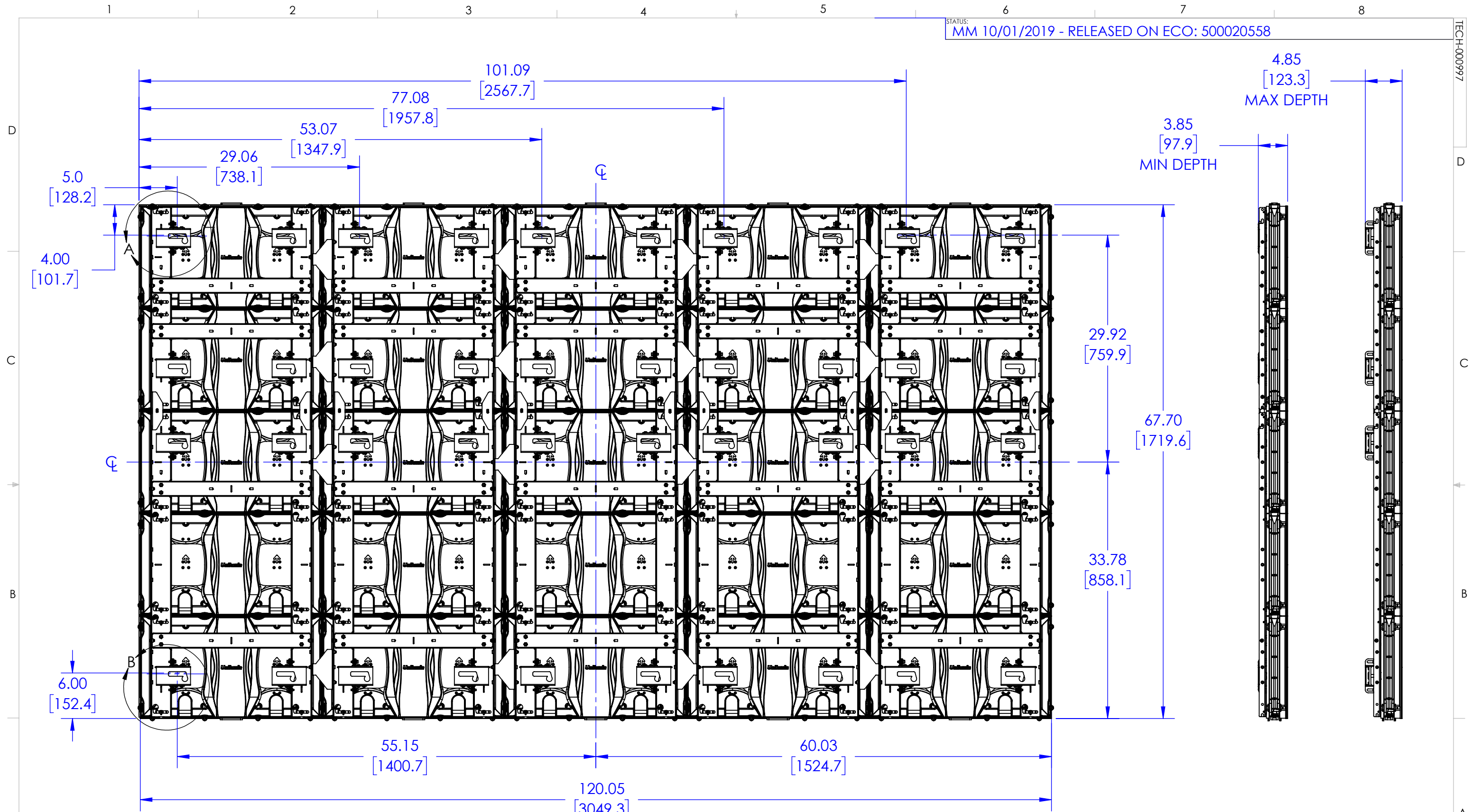


ASSEMBLY CONSISTS OF
 5-TIL1X3UU
 5-TIL1X2UU
 5-TILVABUU

THE INFORMATION AND DESIGNS CONTAINED IN THIS DRAWING ARE CONFIDENTIAL AND THE PROPRIETARY PROPERTY OF MILESTONE AV TECHNOLOGIES NEITHER THIS DESIGN NOR ANY INFORMATION CONTAINED IN THIS DRAWING MAY BE REPRODUCED OR DISCLOSED TO OTHERS WITHOUT THE EXPRESS WRITTEN CONSENT OF MILESTONE AV TECHNOLOGIES.

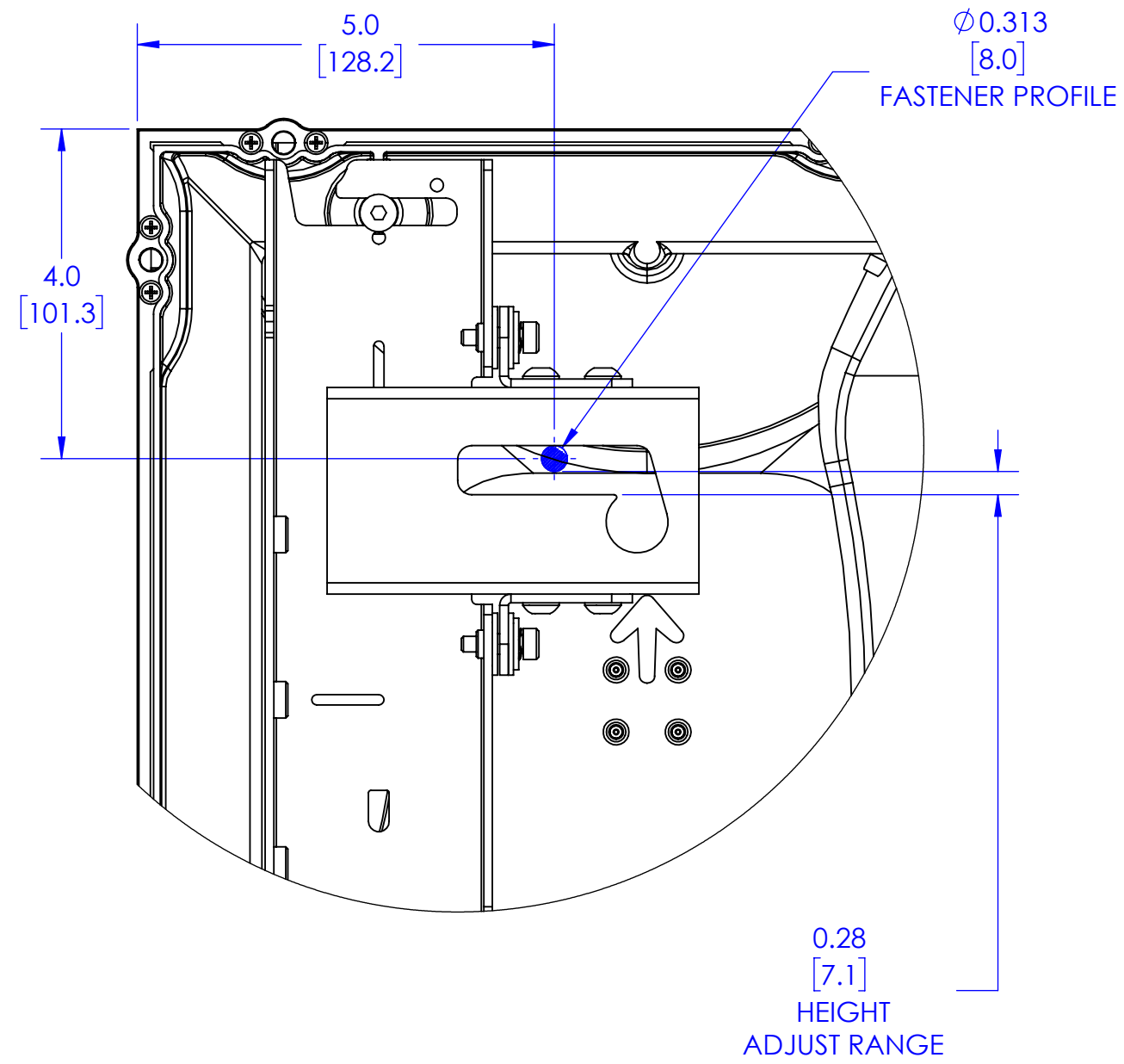
| | | | | |
|--|-----|---------------|---|-------------------------|
| CAD GENERATED DRAWING, DO NOT MANUALLY UPDATE. | | | 6436 CITY WEST PKWY EDEN PRAIRIE MN, 55344 PHONE: 866-977-3901 FAX: 877-894-6918 | |
| DRAWN BY | JAB | 5/1/2019 | | |
| ENG APPROVAL | | | DESCRIPTION 5 X 5 TIL1XXUU TECH DRAWING | |
| MFG APPROVAL | | | MODEL NO. TIL1XXUU | |
| QA APPROVAL | | | REV. 01 | |
| SHEET 1 OF 3 | | SCALE 1:12 | SIZE B | DWG. NO. TECH-000997 |



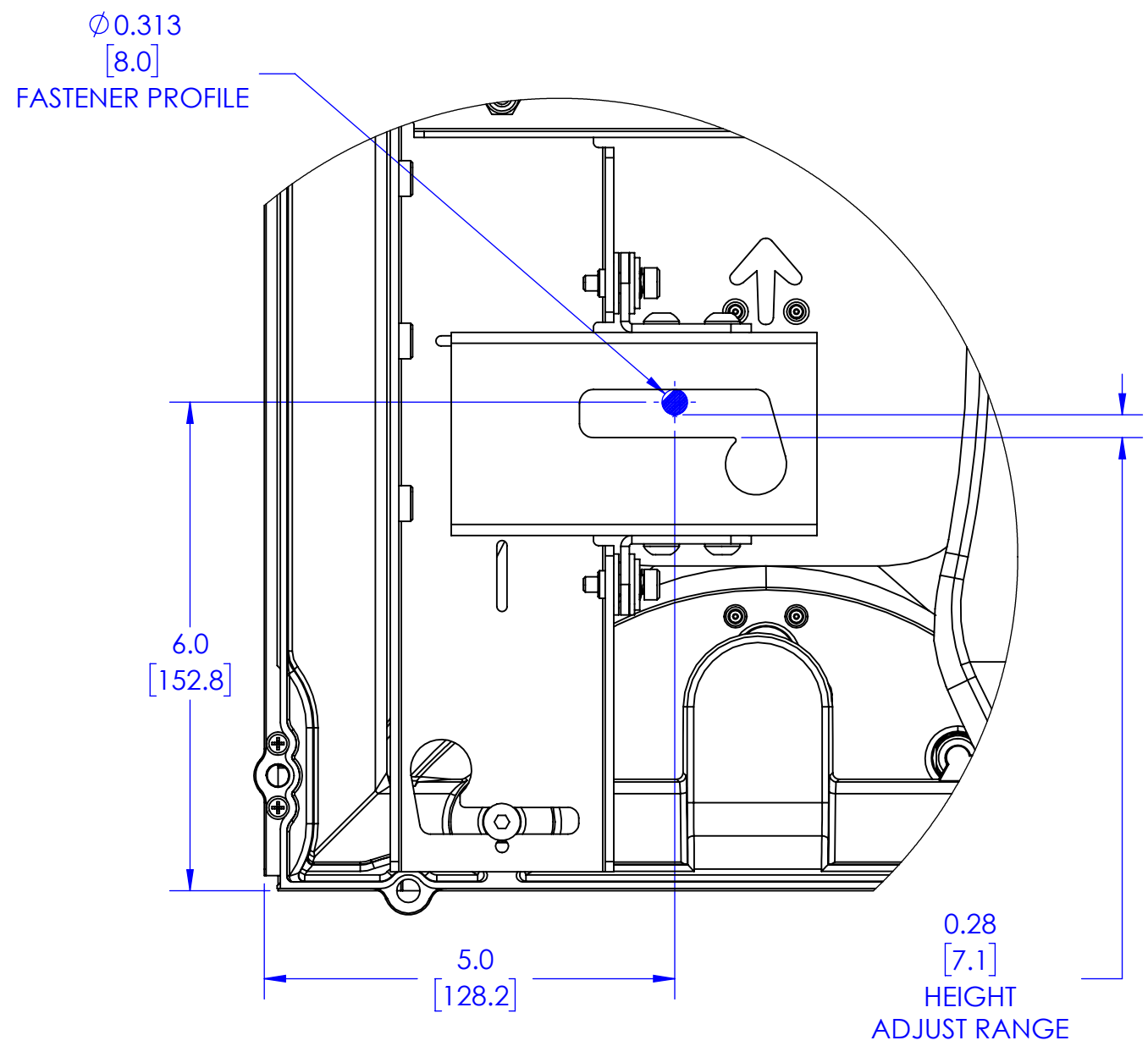
DETAIL VIEWS ON SHEET 3

THE INFORMATION AND DESIGNS CONTAINED IN THIS DRAWING ARE CONFIDENTIAL AND THE PROPRIETARY PROPERTY OF MILESTONE AV TECHNOLOGIES NEITHER THIS DESIGN NOR ANY INFORMATION CONTAINED IN THIS DRAWING MAY BE REPRODUCED OR DISCLOSED TO OTHERS WITHOUT THE EXPRESS WRITTEN CONSENT OF MILESTONE AV TECHNOLOGIES.

| | | | | |
|--|-----|----------|---|-------------------------|
| CAD GENERATED DRAWING, DO NOT MANUALLY UPDATE. | | | 6436 CITY WEST PKWY EDEN PRAIRIE MN, 55344 PHONE: 866-977-3901 FAX: 877-894-6918 | |
| DRAWN BY | JAB | 5/1/2019 | | |
| ENG APPROVAL | | | DESCRIPTION 5 X 5 TIL1XXUU TECH DRAWING | |
| MFG APPROVAL | | | MODEL NO. TIL1XXUU | |
| QA APPROVAL | | | SIZE B | DWG. NO. TECH-000997 |
| SHEET 2 OF 3 | | | SCALE 1:12 | REV. 01 |



DETAIL A
SCALE 1 : 2



DETAIL B
SCALE 1 : 2

THE INFORMATION AND DESIGNS CONTAINED IN THIS DRAWING ARE CONFIDENTIAL AND THE PROPRIETARY PROPERTY OF MILESTONE AV TECHNOLOGIES NEITHER THIS DESIGN NOR ANY INFORMATION CONTAINED IN THIS DRAWING MAY BE REPRODUCED OR DISCLOSED TO OTHERS WITHOUT THE EXPRESS WRITTEN CONSENT OF MILESTONE AV TECHNOLOGIES.

| | | | |
|--|---------------|-----------|---|
| CAD GENERATED DRAWING, DO NOT MANUALLY UPDATE. | | | CHIEF 6436 CITY WEST PKWY EDEN PRAIRIE MN, 55344 PHONE: 866-977-3901 FAX: 877-894-6918 |
| DRAWN BY | JAB | 5/1/2019 | |
| ENG APPROVAL | | | DESCRIPTION 5 X 5 TIL1XXUU TECH DRAWING |
| MFG APPROVAL | | | MODEL NO. |
| QA APPROVAL | | | |
| SHEET 3 OF 3 | SCALE 1:12 | SIZE B | DWG. NO. TECH-000997 |
| | | | REV. 01 |