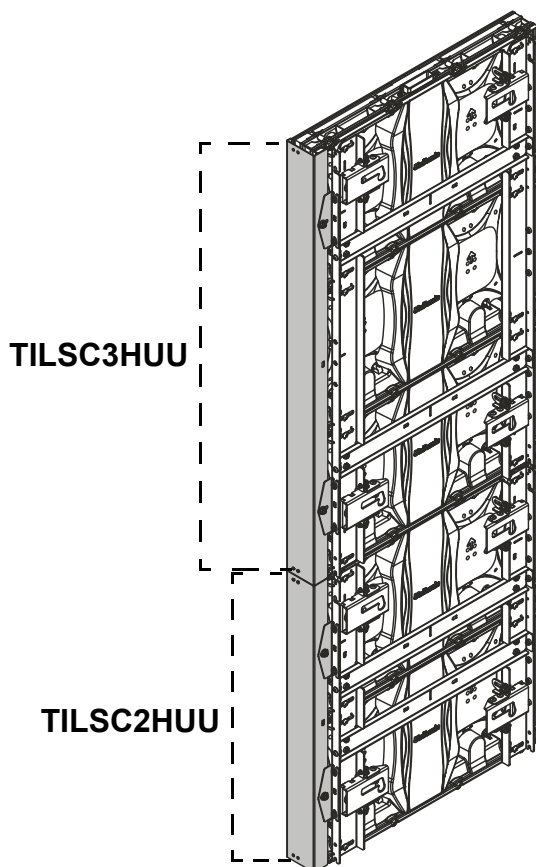

INSTALLATION INSTRUCTIONS



Unilumins U-Panel-S LED Mount Side Covers Accessory

DISCLAIMER

Legrand | AV and its affiliated corporations and subsidiaries (collectively "Legrand | AV"), intend to make this manual accurate and complete. However, Legrand | AV makes no claim that the information contained herein covers all details, conditions or variations, nor does it provide for every possible contingency in connection with the installation or use of this product. The information contained in this document is subject to change without notice or obligation of any kind. Legrand | AV makes no representation of warranty, expressed or implied, regarding the information contained herein. Legrand | AV assumes no responsibility for accuracy, completeness or sufficiency of the information contained in this document.

Chief® is a registered trademark of Legrand AV Inc.

DEFINITIONS

MOUNTING SYSTEM: A MOUNTING SYSTEM is the primary Chief product to which an accessory and/or component is attached.

ACCESSORY: AN ACCESSORY is the secondary Chief product which is attached to a primary Chief product, and may have a component attached or setting on it.

COMPONENT: A COMPONENT is an audiovisual item designed to be attached or resting on an accessory or mounting system such as a video camera, CPU, screen, display, projector, etc.



WARNING: A WARNING alerts you to the possibility of serious injury or death if you do not follow the instructions.



CAUTION: A CAUTION alerts you to the possibility of damage or destruction of equipment if you do not follow the corresponding instructions.



IMPORTANT SAFETY INSTRUCTIONS



WARNING: Failure to read, thoroughly understand, and follow all instructions can result in serious personal injury, damage to equipment, or voiding of factory warranty! It is the installer's responsibility to make sure all accessories are properly assembled and installed using the instructions provided.



WARNING: Use this accessory only for its intended use as described in these instructions. Do not use attachments not recommended by the manufacturer.



WARNING: Never operate this accessory if it is damaged. Return the accessory to a service center for examination and repair.



WARNING: Do not use this accessory outdoors.

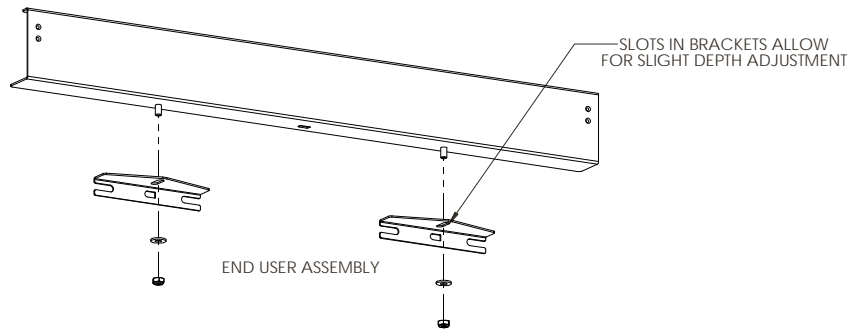
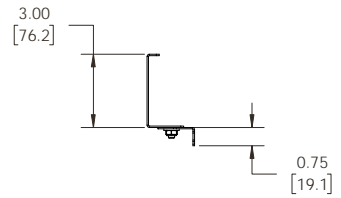
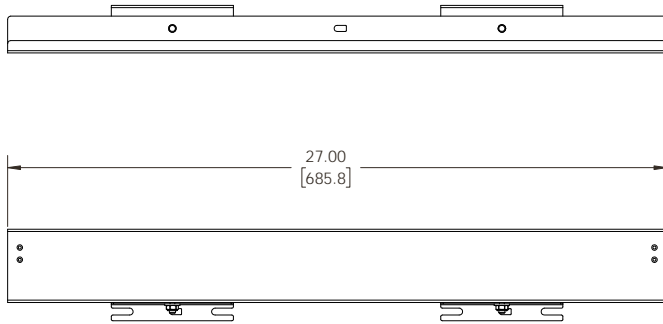
IMPORTANT ! : The TILSC2HUU and TILSC3HUU accessories are designed to be mounted to the UU Series LED Wall Mount.

--SAVE THESE INSTRUCTIONS--

DIMENSIONS

TILSC2HUU

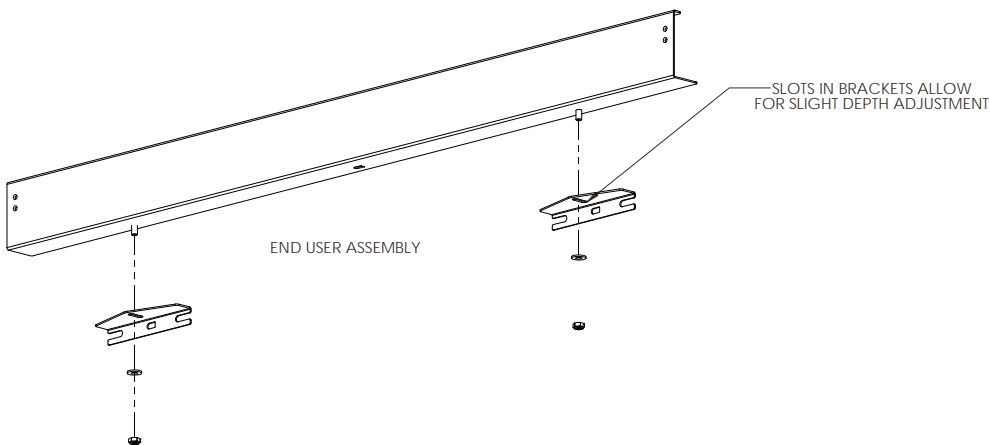
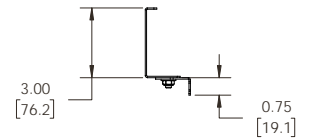
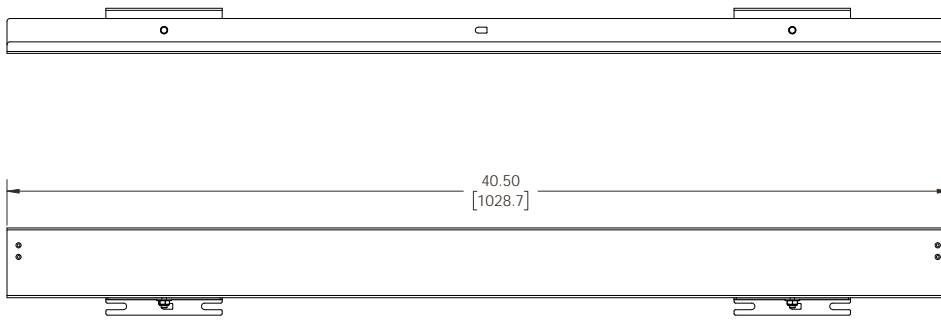
SHOWN ON THIS PAGE IS THE COVER
BRACKET FOR THE TILSC2HUU
EACH KIT INCLUDES 2 BRACKETS



DIMENSIONS: INCHES
[MILLIMETERS]

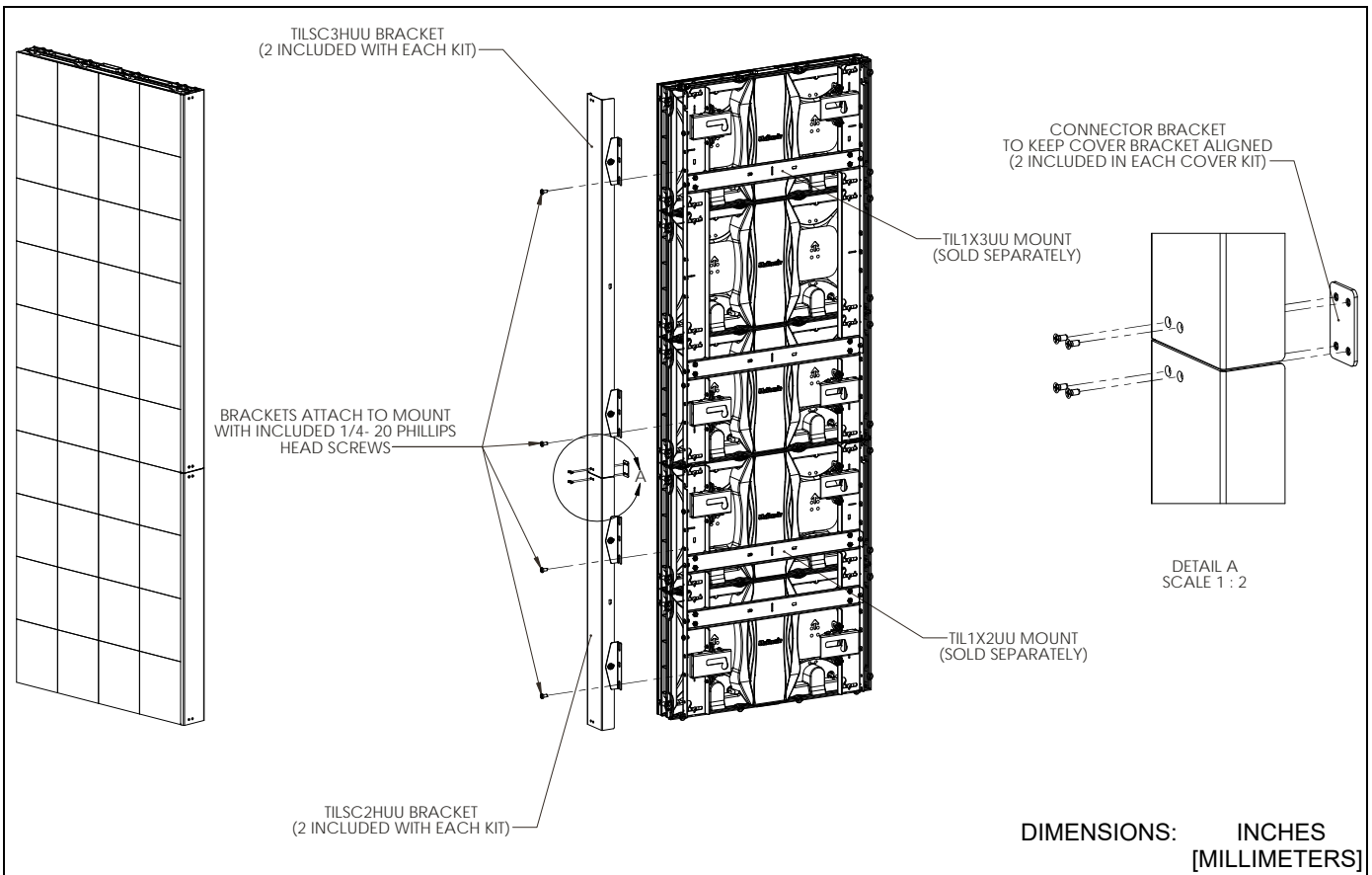
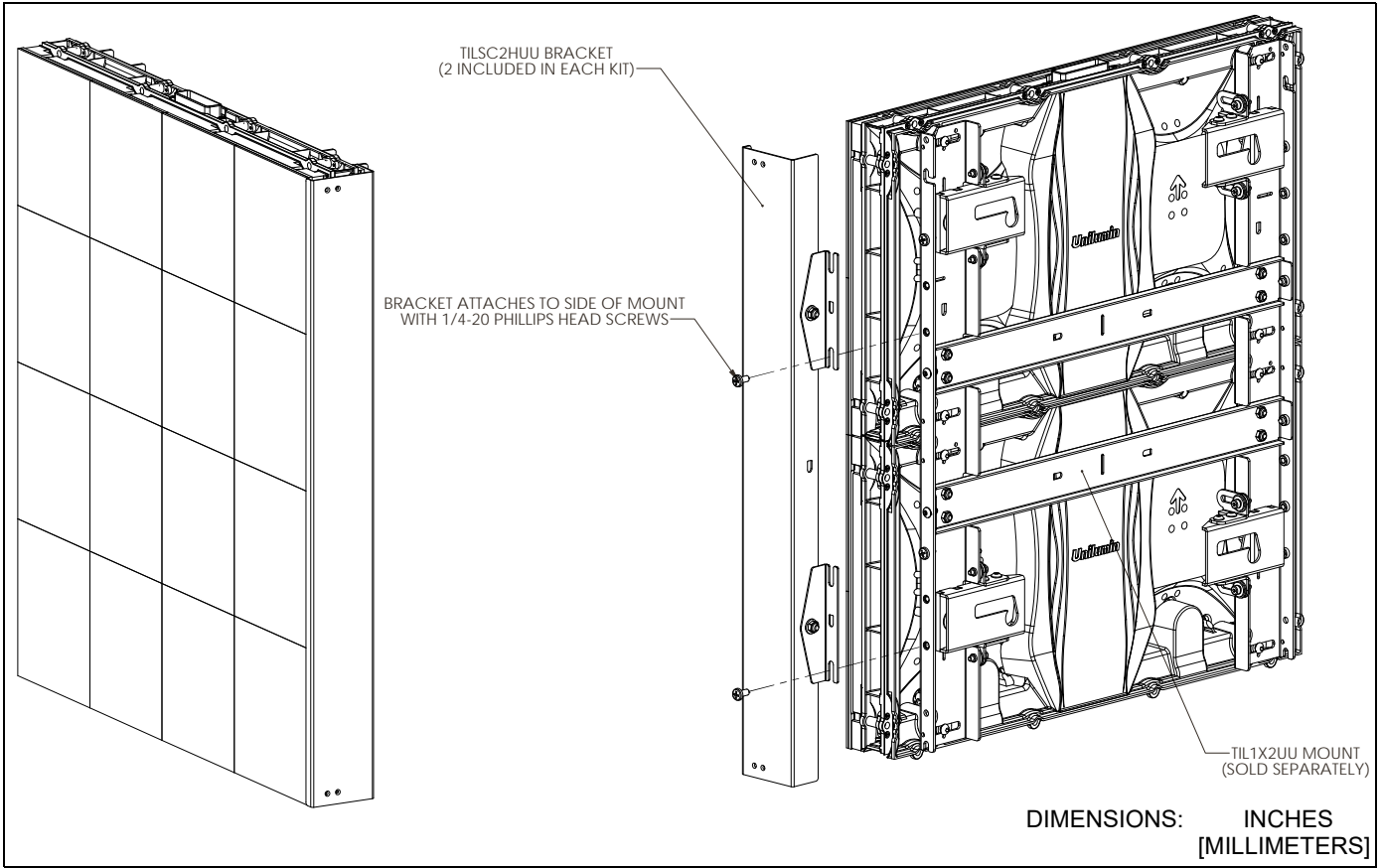
TILSC3HUU

SHOWN ON THIS PAGE IS THE COVER
BRACKET FOR THE TILSC3HUU
EACH KIT INCLUDES 2 BRACKETS

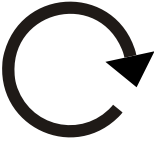

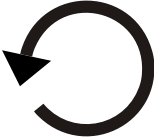











DIMENSIONS: INCHES
[MILLIMETERS]

DIMENSIONS....cont'd



LEGEND

	<p>Tighten Fastener</p> <p>Apretar elemento de fijación</p> <p>Befestigungsteil festziehen</p> <p>Apertar fixador</p> <p>Serrare il fissaggio</p> <p>Bevestiging vastdraaien</p> <p>Serrez les fixations</p>		<p>Pencil Mark</p> <p>Marcar con lápiz</p> <p>Stiftmarkierung</p> <p>Marcar com lápis</p> <p>Segno a matita</p> <p>Potloodmerkten</p> <p>Marquage au crayon</p>
	<p>Loosen Fastener</p> <p>Aflojar elemento de fijación</p> <p>Befestigungsteil lösen</p> <p>Desapertar fixador</p> <p>Allentare il fissaggio</p> <p>Bevestiging losdraaien</p> <p>Desserrez les fixations</p>		<p>Drill Hole</p> <p>Perforar</p> <p>Bohrloch</p> <p>Fazer furo</p> <p>Praticare un foro</p> <p>Gat boren</p> <p>Percez un trou</p>
	<p>Phillips Screwdriver</p> <p>Destornillador Phillips</p> <p>Kreuzschlitzschraubendreher</p> <p>Chave de fendas Phillips</p> <p>Cacciavite a stella</p> <p>Kruiskopschroevendraaier</p> <p>Tournevis à pointe cruciforme</p>		<p>Adjust</p> <p>Ajustar</p> <p>Einstellen</p> <p>Ajustar</p> <p>Regolare</p> <p>Afstellen</p> <p>Ajuster</p>
	<p>Open-Ended Wrench</p> <p>Llave de boca</p> <p>Gabelschlüssel</p> <p>Chave de bocas</p> <p>Chiave a punte aperte</p> <p>Steeksleutel</p> <p>Clé à fourche</p>		<p>Remove</p> <p>Quitar</p> <p>Entfernen</p> <p>Remover</p> <p>Rimuovere</p> <p>Verwijderen</p> <p>Retirez</p>
	<p>By Hand</p> <p>A mano</p> <p>Von Hand</p> <p>Com a mão</p> <p>A mano</p> <p>Met de hand</p> <p>À la main</p>		<p>Optional</p> <p>Opcional</p> <p>Optional</p> <p>Opcional</p> <p>Opzionale</p> <p>Optie</p> <p>En option</p>
	<p>Hex-Head Wrench</p> <p>Llave de cabeza hexagonal</p> <p>Sechskantschlüssel</p> <p>Chave de cabeça sextavada</p> <p>Chiave esagonale</p> <p>Zeskantsleutel</p> <p>Clé à tête hexagonale</p>		<p>Security Wrench</p> <p>Llave de seguridad</p> <p>Sicherheitsschlüssel</p> <p>Chave de segurança</p> <p>Chiave di sicurezza</p> <p>Veiligheidsleutel</p> <p>Clé de sécurité</p>

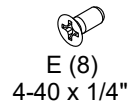
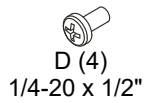
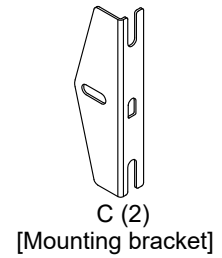
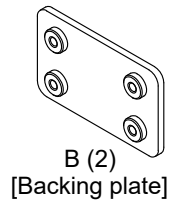
TOOLS REQUIRED FOR INSTALLATION



PARTS



OR



ASSEMBLY AND INSTALLATION

1. Attach two mounting brackets (C) to each side cover (A) using two 1/4-20" hex nuts (F) and two 1/4" washers (G). (See Figure 1)

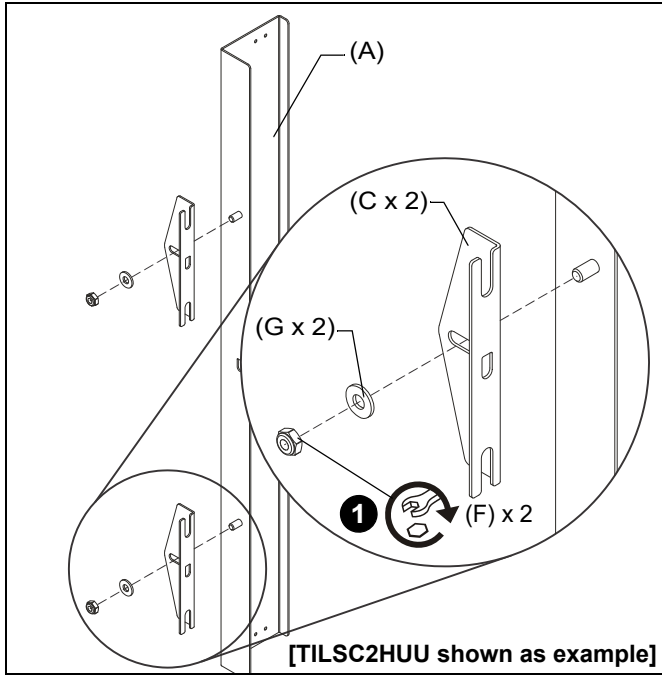


Figure 1

2. Loosely install the 1/4-20 x 1/2" Phillips pan head screws (D) for each side cover into the side of the mount. (See Figure 2)

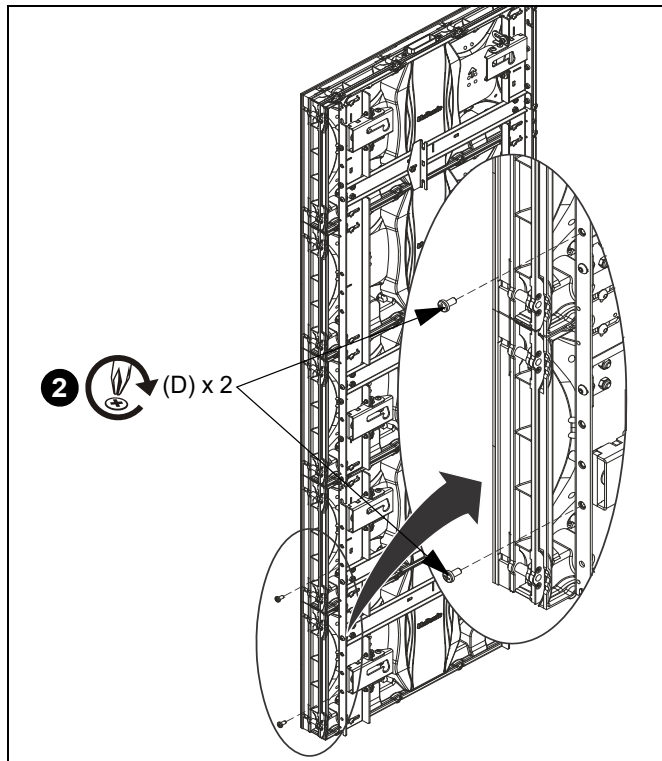


Figure 2

NOTE: The backing plate (B) is only used if multiple side covers will be used on each side of mount.

NOTE: The backing plate (B) is NOT used on the topmost side cover.

3. **OPTIONAL:** Connect one end of the backing plate (B) to the lower side cover (A) using two 4-40 x 1/4" Phillips flat head screws (E). (See Figure 3)
4. Loosen and adjust all the mounting brackets (C) to the maximum extension, and tighten hex nut (F). (See Figure 3)

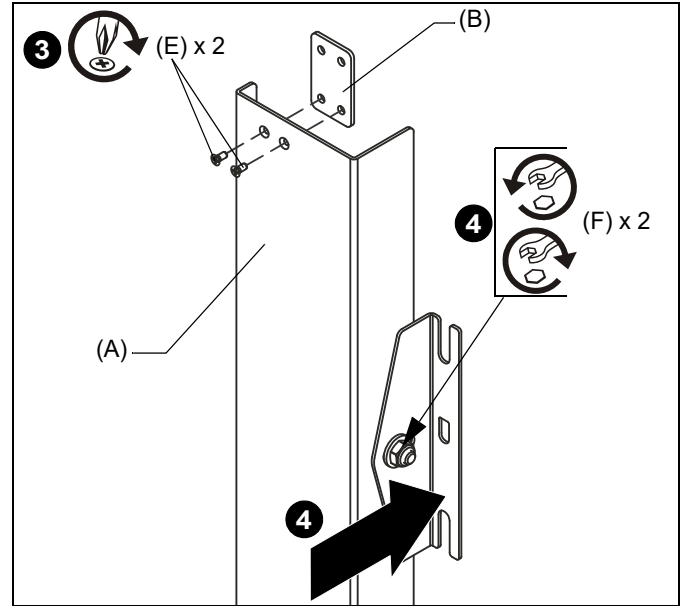


Figure 3

5. Slide the lower side cover (A) down onto the side of the mount by hanging the brackets onto the Phillips screws installed in Step 2. (See Figure 4)

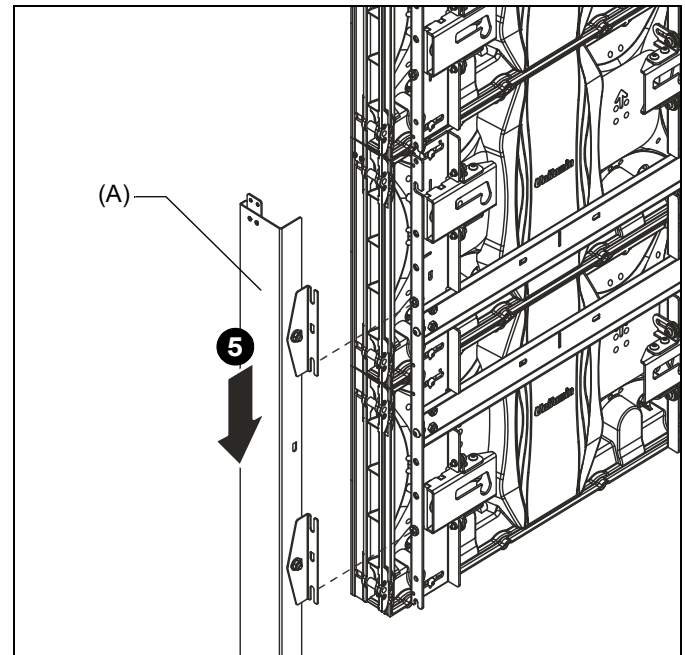


Figure 4

6. Slide the top side cover (A) down into place onto the lower side cover, by hanging the brackets onto the Phillips screws installed in Step 2. (See Figure 5)
7. Install two 4-40 x 1/4" Phillips flat head screws (E) into the top of the backing plate (B) installed in the lower side cover (A). (See Figure 5)

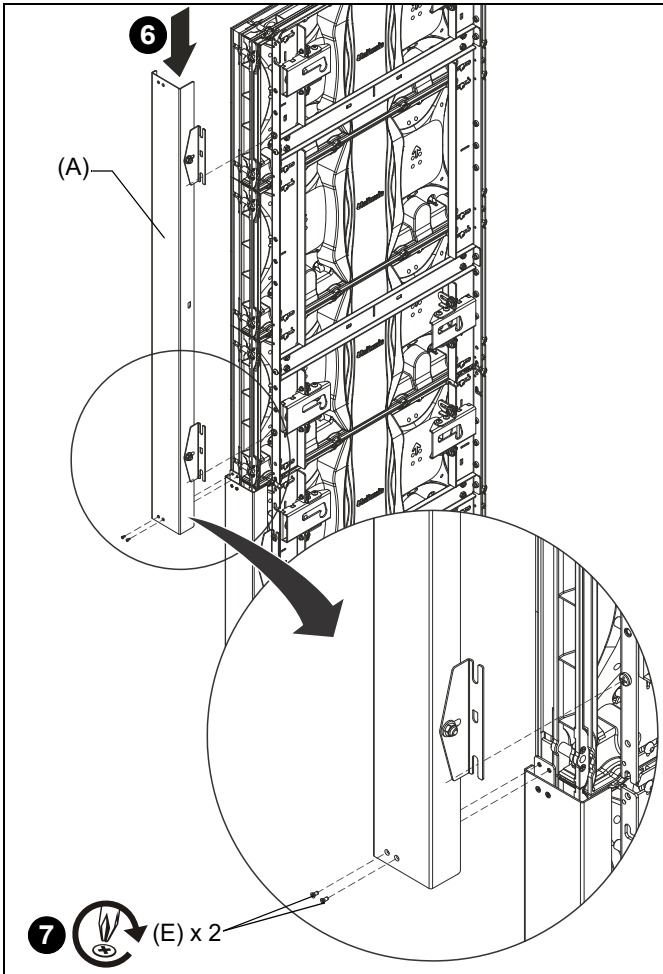


Figure 5

Adjustments

Side Cover Height

1. Loosen Phillips head screws (installed in Step 2) on mount. (See Figure 6)
2. Move side cover to proper height.
3. Tighten Phillips head screws.

Side Cover Depth

4. Loosen hex nuts on the cover brackets. (See Figure 6)
5. Adjust side covers into the edge of the LED panels.
6. Tighten hex nuts.

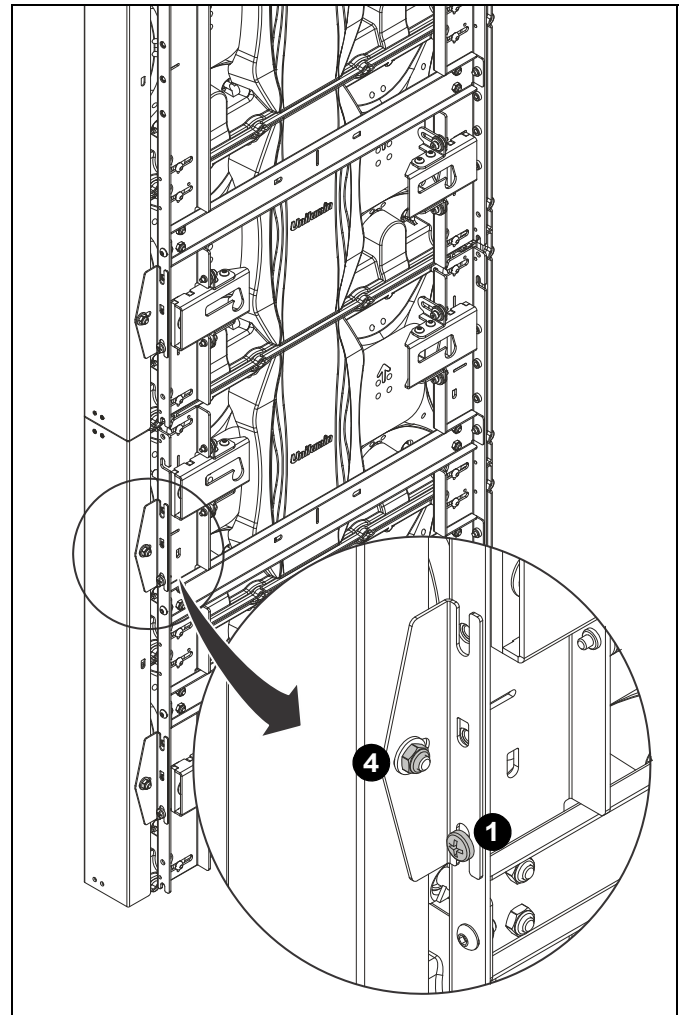


Figure 6



A brand of  **legrand**

8800-003178 Rev00
©2019 Legrand | AV
www.legrandav.com
10/19

USA/International	A 6436 City West Parkway, Eden Prairie, MN 55344 P 800.582.6480 / 952.225.6000 F 877.894.6918 / 952.894.6918
Europe	A Franklinstraat 14, 6003 DK Weert, Netherlands P +31 (0) 495 580 852 F +31 (0) 495 580 845
Asia Pacific	A Office No. 918 on 9/F, Shatin Galleria 18-24 Shan Mei Street Fotan, Shatin, Hong Kong P 852 2145 4099 F 852 2145 4477

