
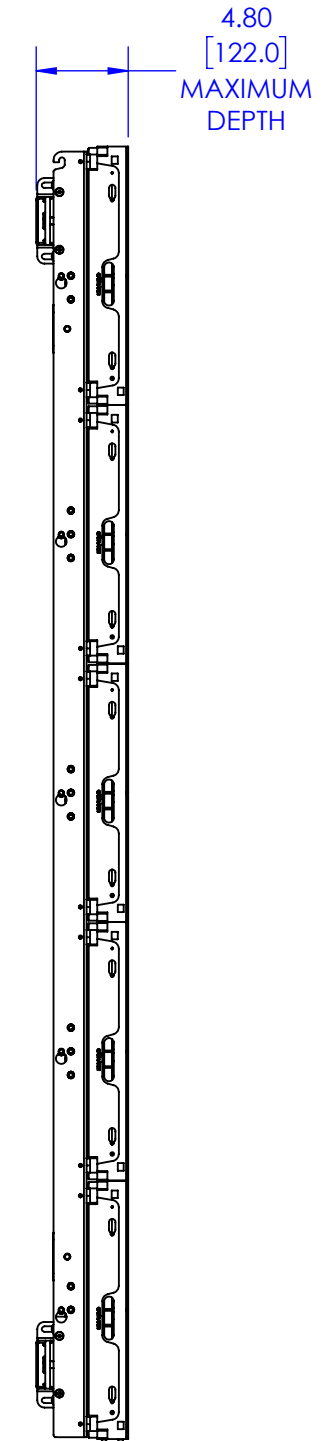
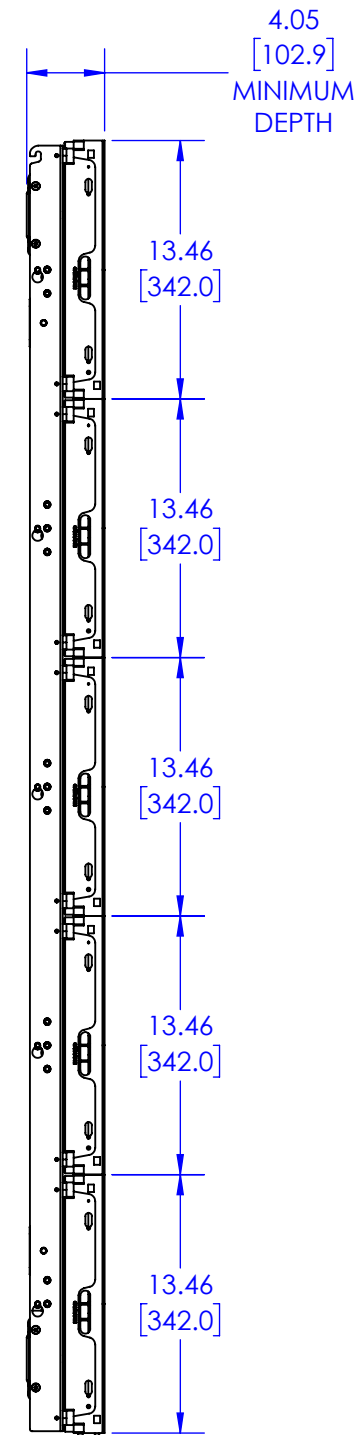
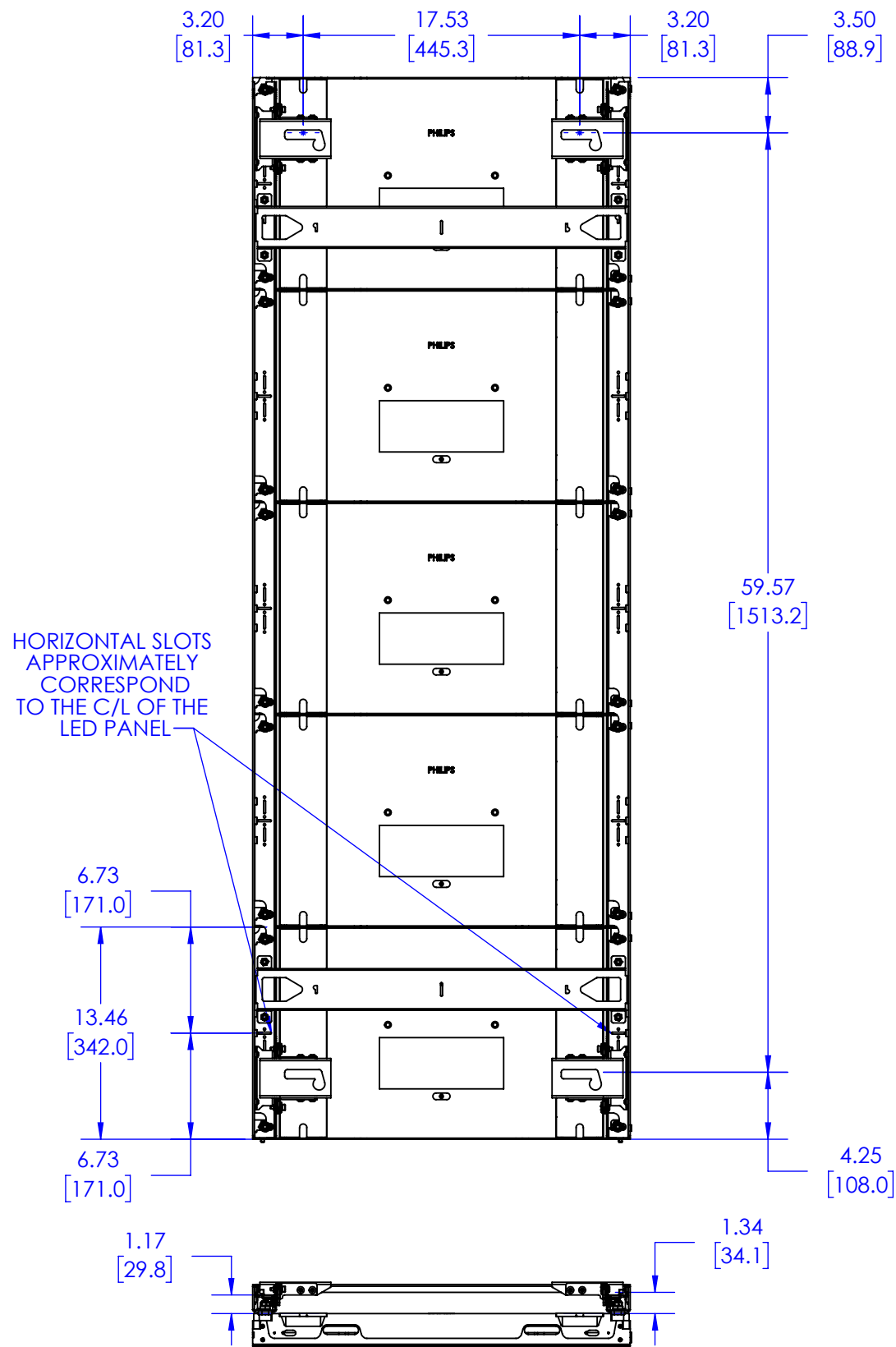


THE INFORMATION AND DESIGNS CONTAINED IN THIS DRAWING ARE CONFIDENTIAL AND THE PROPRIETARY PROPERTY OF LEGRAND | AV. NEITHER THIS DESIGN NOR ANY INFORMATION CONTAINED IN THIS DRAWING MAY BE REPRODUCED OR DISCLOSED TO OTHERS WITHOUT THE EXPRESS WRITTEN CONSENT OF LEGRAND | AV.

CAD GENERATED DRAWING, DO NOT MANUALLY UPDATE.				 6436 CITY WEST PKWY EDEN PRAIRIE MN, 55344 PHONE: 866-977-3901 FAX: 877-894-6918	
DRAWN BY	JAB	3/25/2020	DESCRIPTION		
ENG APPROVAL			TIL1X5PH TECH DRAWING		
MFG APPROVAL			MODEL NO.		
QA APPROVAL			TIL1X5PH		
SHEET 1 OF 2		SCALE	SIZE	DWG. NO.	REV.
		1:10	B	TECH-001066	00

SHOWN WITH PHILIPS BDL SERIES LED PANELS



THE INFORMATION AND DESIGNS CONTAINED IN THIS DRAWING ARE CONFIDENTIAL AND THE PROPRIETARY PROPERTY OF LEGRAND | AV. NEITHER THIS DESIGN NOR ANY INFORMATION CONTAINED IN THIS DRAWING MAY BE REPRODUCED OR DISCLOSED TO OTHERS WITHOUT THE EXPRESS WRITTEN CONSENT OF LEGRAND | AV.

CAD GENERATED DRAWING, DO NOT MANUALLY UPDATE.				6436 CITY WEST PKWY EDEN PRAIRIE MN, 55344 PHONE: 866-977-3901 FAX: 877-894-6918	
DRAWN BY	JAB	3/25/2020	DESCRIPTION		
ENG APPROVAL			TIL1X5PH TECH DRAWING		
MFG APPROVAL			MODEL NO.		
QA APPROVAL			TIL1X5PH		
SHEET 2 OF 2		SCALE	SIZE	DWG. NO.	REV.
		1:10	B	TECH-001066	00