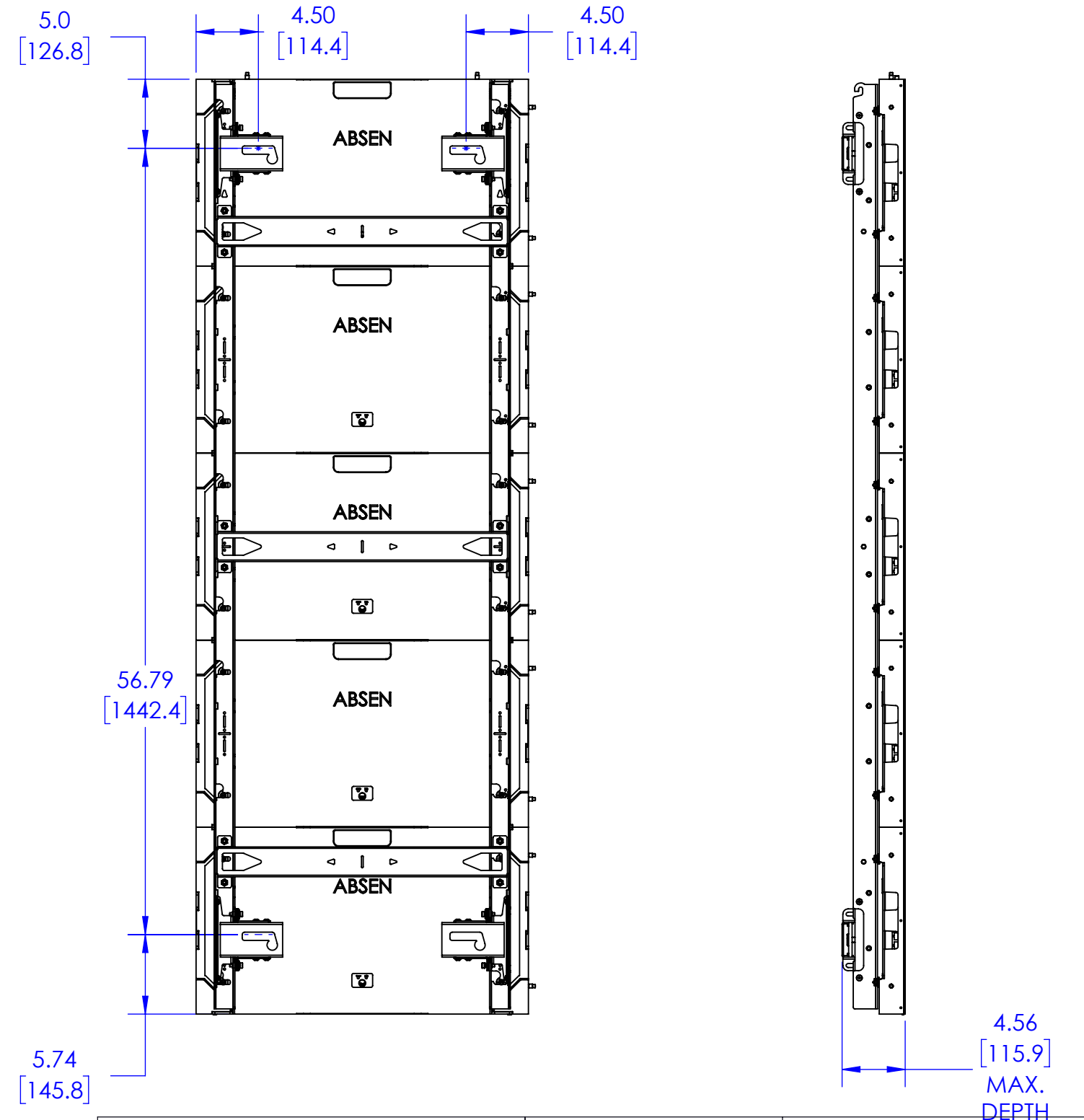
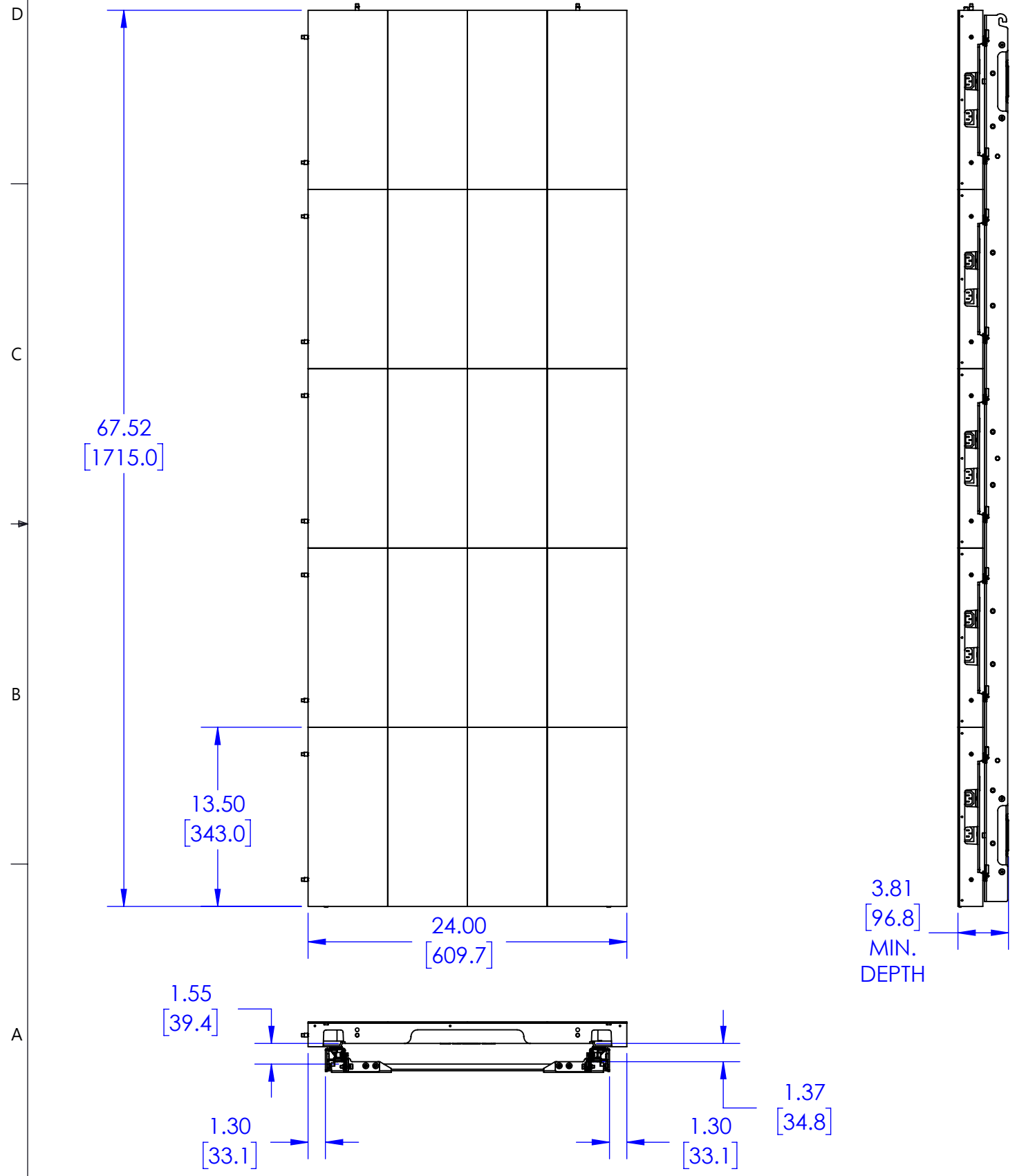


THE INFORMATION AND DESIGNS CONTAINED IN THIS DRAWING ARE CONFIDENTIAL AND THE PROPRIETARY PROPERTY OF LEGRAND | AV. NEITHER THIS DESIGN NOR ANY INFORMATION CONTAINED IN THIS DRAWING MAY BE REPRODUCED OR DISCLOSED TO OTHERS WITHOUT THE EXPRESS WRITTEN CONSENT OF LEGRAND | AV.

CAD GENERATED DRAWING, DO NOT MANUALLY UPDATE.					6436 CITY WEST PKWY EDEN PRAIRIE MN, 55344 PHONE: 866-977-3901 FAX: 877-894-6918	
DRAWN BY	JAB	9/26/2019	DESCRIPTION			
ENG APPROVAL			LED, ABSEN ACCLAIM PRO-PLUS, 5 HIGH			
MFG APPROVAL			MODEL NO.			
QA APPROVAL			SIZE	DWG. NO.	REV.	
SHEET 1 OF 3			SCALE	B	TECH-001035	00

SHOWN WITH ABSEN ACCLAIM PRO, PLUS



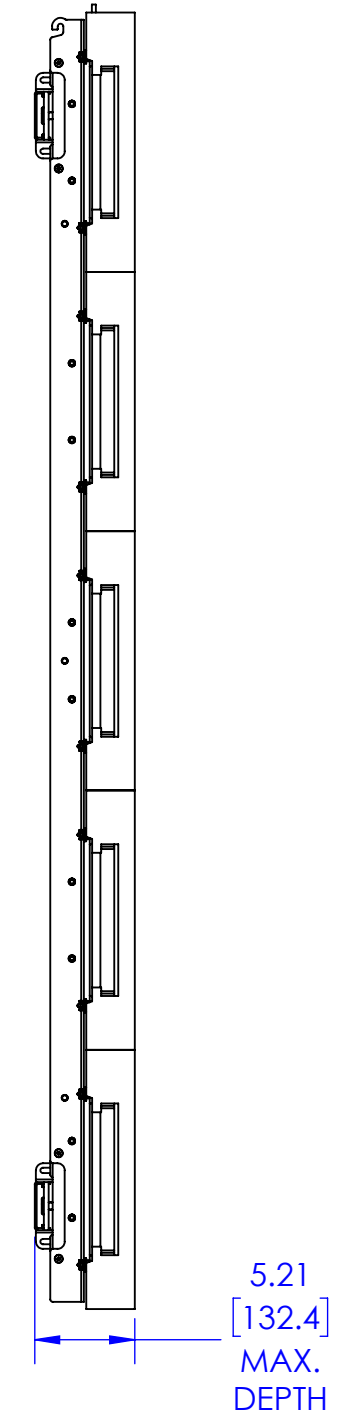
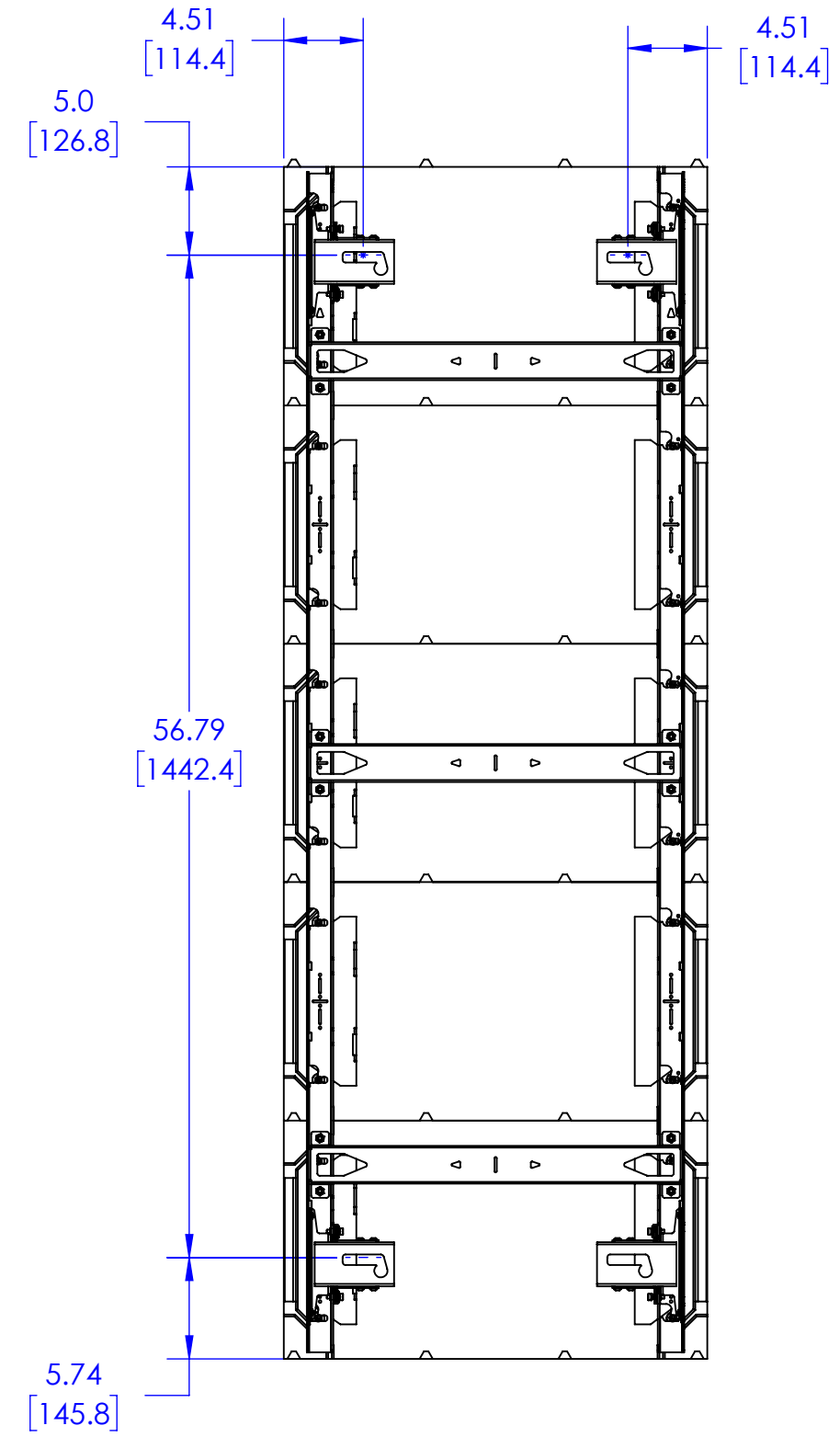
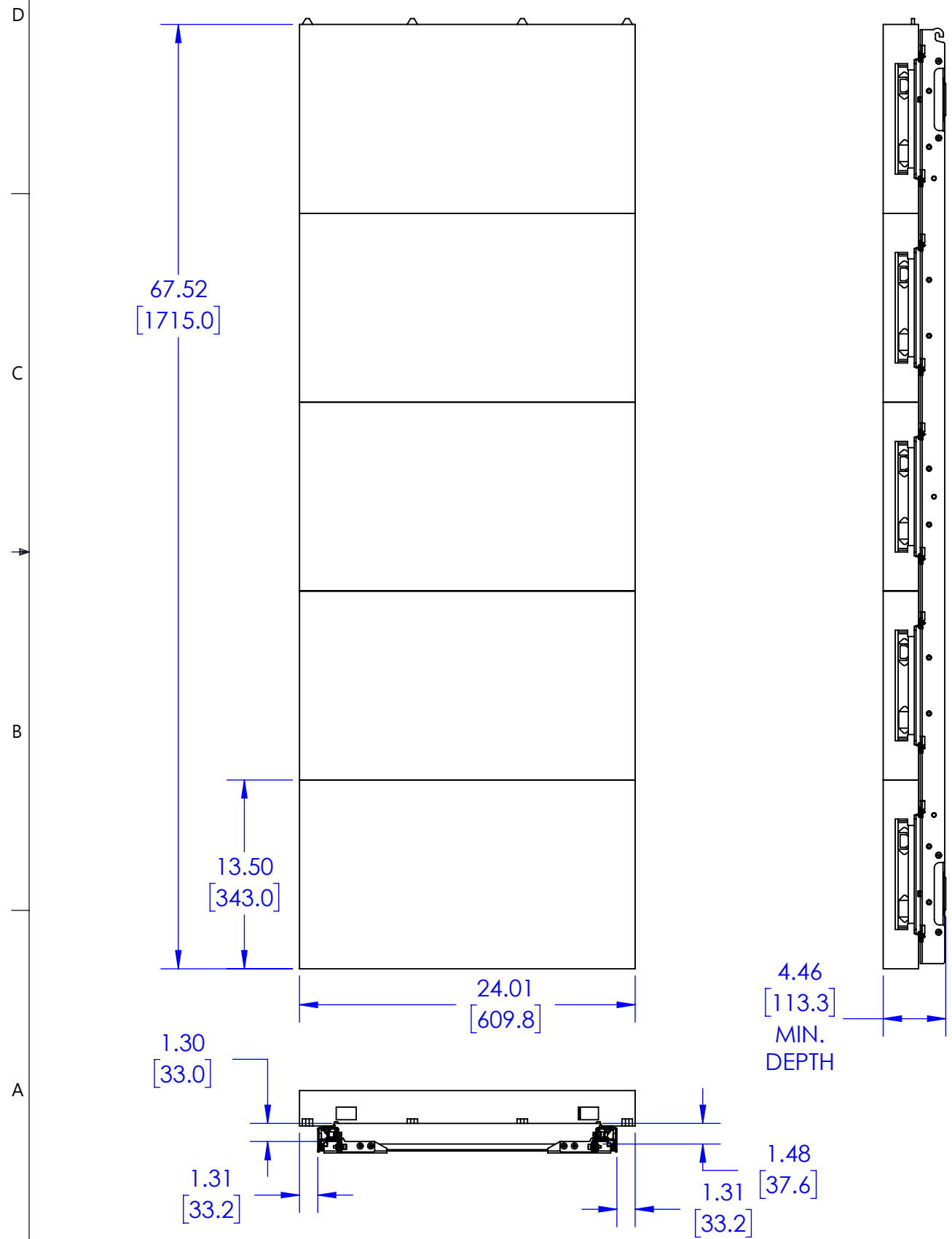
THE INFORMATION AND DESIGNS CONTAINED IN THIS DRAWING ARE CONFIDENTIAL AND THE PROPRIETARY PROPERTY OF LEGRAND | AV. NEITHER THIS DESIGN NOR ANY INFORMATION CONTAINED IN THIS DRAWING MAY BE REPRODUCED OR DISCLOSED TO OTHERS WITHOUT THE EXPRESS WRITTEN CONSENT OF LEGRAND | AV.

CAD GENERATED DRAWING, DO NOT MANUALLY UPDATE.					6436 CITY WEST PKWY EDEN PRAIRIE MN, 55344 PHONE: 866-977-3901 FAX: 877-894-6918	
DRAWN BY	JAB	9/26/2019	DESCRIPTION			
ENG APPROVAL			LED, ABSEN ACCLAIM PRO-PLUS, 5-HIGH			
MFG APPROVAL			MODEL NO.			
QA APPROVAL			REV.			
SHEET 2 OF 3		SCALE 1:10	SIZE B	DWG. NO. TECH-001035	REV. 00	

SHOWN WITH ABSEN ACCLAIM

STATUS: MM 11/11/2019 - RELEASED ON ECO: 500020887

TECH-001035



THE INFORMATION AND DESIGNS CONTAINED IN THIS DRAWING ARE CONFIDENTIAL AND THE PROPRIETARY PROPERTY OF LEGRAND | AV. NEITHER THIS DESIGN NOR ANY INFORMATION CONTAINED IN THIS DRAWING MAY BE REPRODUCED OR DISCLOSED TO OTHERS WITHOUT THE EXPRESS WRITTEN CONSENT OF LEGRAND | AV.

CAD GENERATED DRAWING, DO NOT MANUALLY UPDATE.					6436 CITY WEST PKWY EDEN PRAIRIE MN, 55344 PHONE: 866-977-3901 FAX: 877-894-6918	
DRAWN BY	JAB	9/26/2019	DESCRIPTION			
ENG APPROVAL			LED, ABSEN ACCLAIM PRO-PLUS, 5-HIGH			
MFG APPROVAL			MODEL NO.			
QA APPROVAL			SCALE	SIZE	DWG. NO.	REV.
SHEET 3 OF 3			1:10	B	TECH-001035	00