

INSTALLATION INSTRUCTIONS

TAB1 Hardware Accessory

The TAB1 hardware accessory is designed for use with Chief® TA500 storage box and TS525 mounting system. See the specific installation instructions provided with those products for additional installation information.

Unpack carton and verify kit contents. If any listed parts are missing, immediately contact a Chief Customer Service representative.



WARNING: IMPROPER INSTALLATION CAN LEAD TO EQUIPMENT FALLING CAUSING SERIOUS PERSONAL INJURY AND DAMAGE TO EQUIPMENT! DO NOT substitute hardware. Use only hardware supplied by manufacturer!

- (4) Spacer, Steel .375 x .750 x 1.0
- (2) Back Bracket

- (4) Screw, Button Head Cap, 5/16-18 x 1/2"
- (4) Screw, Button Head Cap, 5/16-18 x 1 1/2"
- (4) Screw, Button Head Cap, 5/16-18 x 3/8"

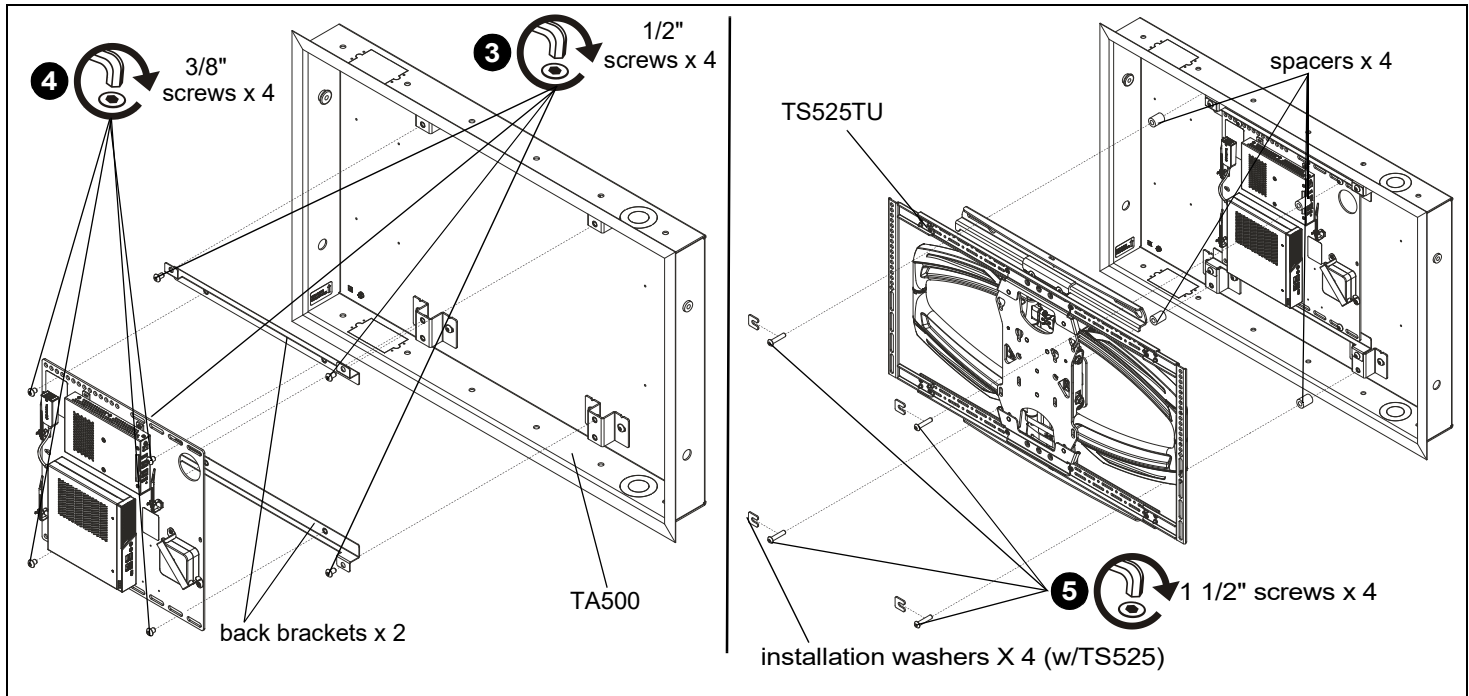


Figure 1:

Installation Instructions



WARNING: OVER TIGHTENING OF SCREWS CAN DAMAGE PARTS AND CAN LEAD TO SERIOUS PERSONAL INJURY AND DAMAGE TO EQUIPMENT! DO NOT over tighten screws when installing interface brackets.

1. Mount TA500 enclosure box to wall following TA500 installation instructions.
2. Install four attachment brackets to inside of TA500/501 following TA500/501 installation instructions.
3. Use two 5/16-18 x 1/2" button head cap screws to attach back brackets to TA500 attachment brackets. (See Figure 1) on left
4. Use four 5/16-18 x 3/8" button head cap screws to attach pre-populated panel (not included) to back brackets. (See Figure 1) on left.
5. Use four 5/16-18 x 1 1/2" button head cap screws and four spacers along with Thinstall installation washers (included with Thinstall mount) to attach Thinstall mount to TA500 attachment brackets. (See Figure 1) on right

Chief® is a registered trademark of Legrand AV Inc.



Legrand | AV and its affiliated corporations and subsidiaries (collectively "Legrand | AV"), intend to make this manual accurate and complete. However, Legrand | AV makes no claim that the information contained herein covers all details, conditions or variations, nor does it provide for every possible contingency in connection with the installation or use of this product. The information contained in this document is subject to change without notice or obligation of any kind. Legrand | AV makes no representation of warranty, expressed or implied, regarding the information contained herein. Legrand | AV assumes no responsibility for accuracy, completeness or sufficiency of the information contained in this document.



A brand of legrand

Chief, a brand of Legrand
6436 City West Parkway, Eden Prairie, MN 55344
• P: 800.582.6480 / 952.225.6000 • F: 877.894.6918 / 952.894.6918

8800-003317 Rev00
©2021 Legrand | AV
www.legrandav.com
06/2021