

Designed with professional-grade performance and seamless contours, the wall-mount Tempest II gives you serious cooking power, with 650-CFM or 1,200-CFM blower options. Equipped with dishwasher-safe,

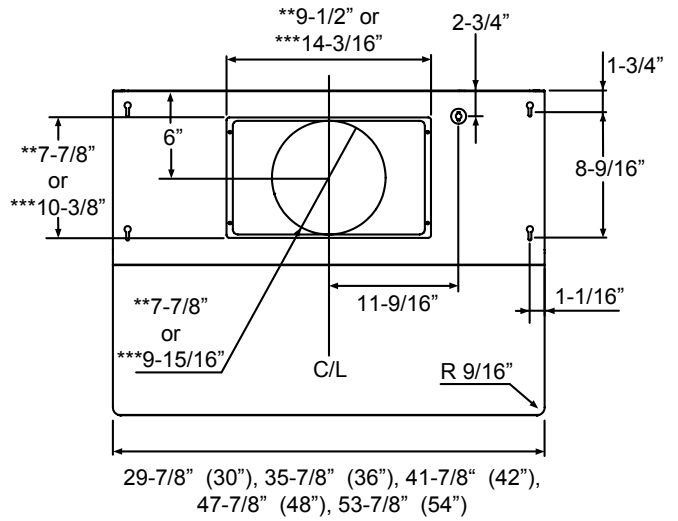
high-airflow pro baffle filters, an optional wireless remote control, 6-speeds, and dual-level LumiLight LED lighting, it's everything the demanding cook could ask for.

ACT™

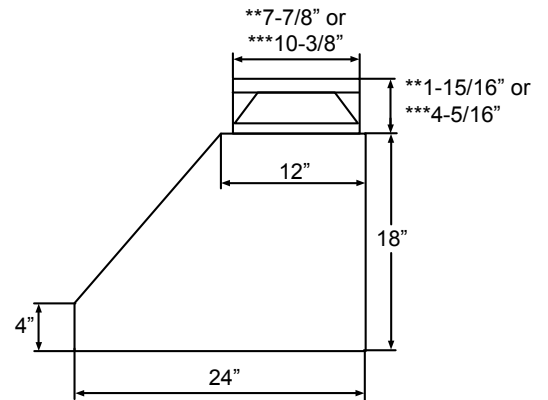
	INTERNAL BLOWER STANDARD	INTERNAL BLOWER with ACT™ AIRFLOW CONTROL TECHNOLOGY™*	
		200 - 390	200 - 290
Single Blower (Included) Min. - Max. CFM	200 - 650	200 - 390	200 - 290
Single Blower (Included) Min. - Max. Sones	1 - 6	1 - 4	1 - 3
Dual Blower (Optional) Min. - Max. CFM	400 - 1,200	*AIRFLOW CONTROL TECHNOLOGY™ (ACT™) is an exclusive feature built into specific Zephyr hoods which can limit the maximum blower CFM to meet local code requirements.	
Dual Blower (Optional) Min. - Max. Sones	3.5 - 9		



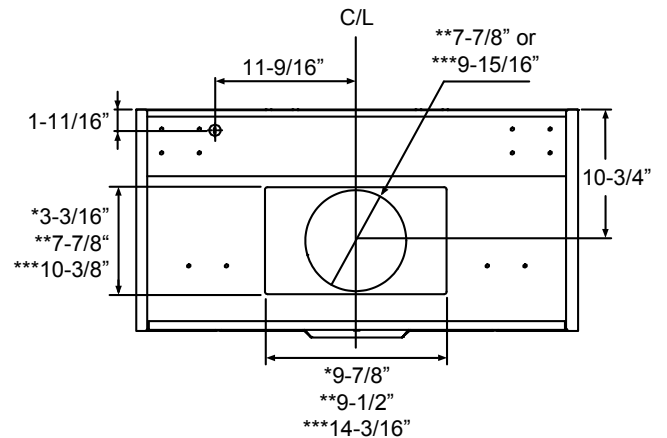
Includes Wireless Remote Control



TOP



SIDE



BACK

\* Single Blower Rect. Ducting Dimension  
 \*\* Single Blower Round Ducting Dimension  
 \*\*\* Dual Blower Dimension

## MODEL

Stainless Steel	AK7500CS	AK7536CS/AK7542CS	AK7548CS/AK7554CS
Size	30"	36"/42"	48"/54"

## BLOWER PERFORMANCE

Included Single Blower	200-650 CFM	200-650 CFM	200-650 CFM
ACT 390	200-390 CFM	200-390 CFM	200-390 CFM
ACT 290	200-290 CFM	200-290 CFM	200-290 CFM
Optional Dual Blower	400-1,200 CFM	400-1,200 CFM	400-1,200 CFM

## FEATURES

ACT™ Technology	Yes, Single Blower Only	Yes, Single Blower Only	Yes, Single Blower Only
Controls	Electronic Touch	Electronic Touch	Electronic Touch
Speed Levels	6*	6*	6*
Auto Delay-Off	Yes	Yes	Yes
CleanAir Function	Yes	Yes	Yes
Lighting	LumiLight LED, 6W x2	LumiLight LED, 6W x2	LumiLight LED, 6W x4
Dual-Level Lighting	Yes	Yes	Yes
Filters	Pro Baffle x2	Pro Baffle x2	Pro Baffle x3
Wireless Remote Control Option	Yes, RF	Yes, RF	Yes, RF
Dual Internal Blower Option	Yes	Yes	Yes
Recirculating Option**	Yes, Single Blower Only	Yes, Single Blower Only	NA
ADA Compliant	Yes (with remote accessory)	Yes (with remote accessory)	Yes (with remote accessory)

## DUCT SPECIFICATIONS

Vertical Single Internal Blower	8" Round	8" Round	8" Round
Horizontal Single Internal Blower	3-1/4" x 10" or 8" Round	3-1/4" x 10" or 8" Round	3-1/4" x 10" or 8" Round
Vertical Dual Internal Blower	10" Round	10" Round	10" Round
Horizontal Dual Internal Blower	10" Round	10" Round	10" Round

AC POWER (Single Blower)	120V, 60Hz, Max. 5A	120V, 60Hz, Max. 5A	120V, 60Hz, Max. 5A
AC POWER (Dual Blower)	120V, 60Hz, Max. 9A	120V, 60Hz, Max. 9A	120V, 60Hz, Max. 9A

## OPTIONAL ACCESSORIES

12" Duct Cover	AK0720	AK0726/AK0722	AK0728/AK0724
24" Duct Cover	AK1720	AK1726/AK1722	AK1728/AK1724
Wireless Remote Control	14000005	14000005	14000005
Dual Internal Blower Kit	PBD-1200A	PBD-1200A	PBD-1200A
Recirculating Kit	ZRC-7000C	ZRC-7036C/ZRC-7042C	ZRC-7048C/NA
Telescopic Backsplash w/ Shelves	AK0710	AK0716/AK0712	AK0718/AK0714
Make-Up Air Kit (Single Blower)	MUA008A	MUA008A	MUA008A
Make-Up Air Kit (Dual Blower)	MUA010A	MUA010A	MUA010A

MOUNTING HEIGHT RANGE***	26" - 36"	26" - 36"	26" - 36"
--------------------------	-----------	-----------	-----------

WARRANTY	3 years parts, 1 year labor	3 years parts, 1 year labor	3 years parts, 1 year labor
----------	-----------------------------	-----------------------------	-----------------------------

\*When ACT™ is enabled the maximum speed levels will change. ACT 390 CFM = 3 speeds and ACT 290 CFM = 2 speeds.

\*\*Recirculating kit includes a return-air box which adds an additional 4" to the hood height. Recirculating kit is only compatible with single blower.

\*\*\*Mounting height refers to distance between top of a 36" tall cooking surface and bottom of hood.

**ACT™** AIRFLOW CONTROL TECHNOLOGY™ (ACT™) is an exclusive feature built into specific Zephyr hoods which can limit the maximum blower CFM to meet local code requirements.

Specifications subject to change, check zephyronline.com for up-to-date information.  
Zephyr Ventilation | 2277 Harbor Bay Parkway, Alameda, CA 94502 | 888.880.VENT

OCT20.0101

