
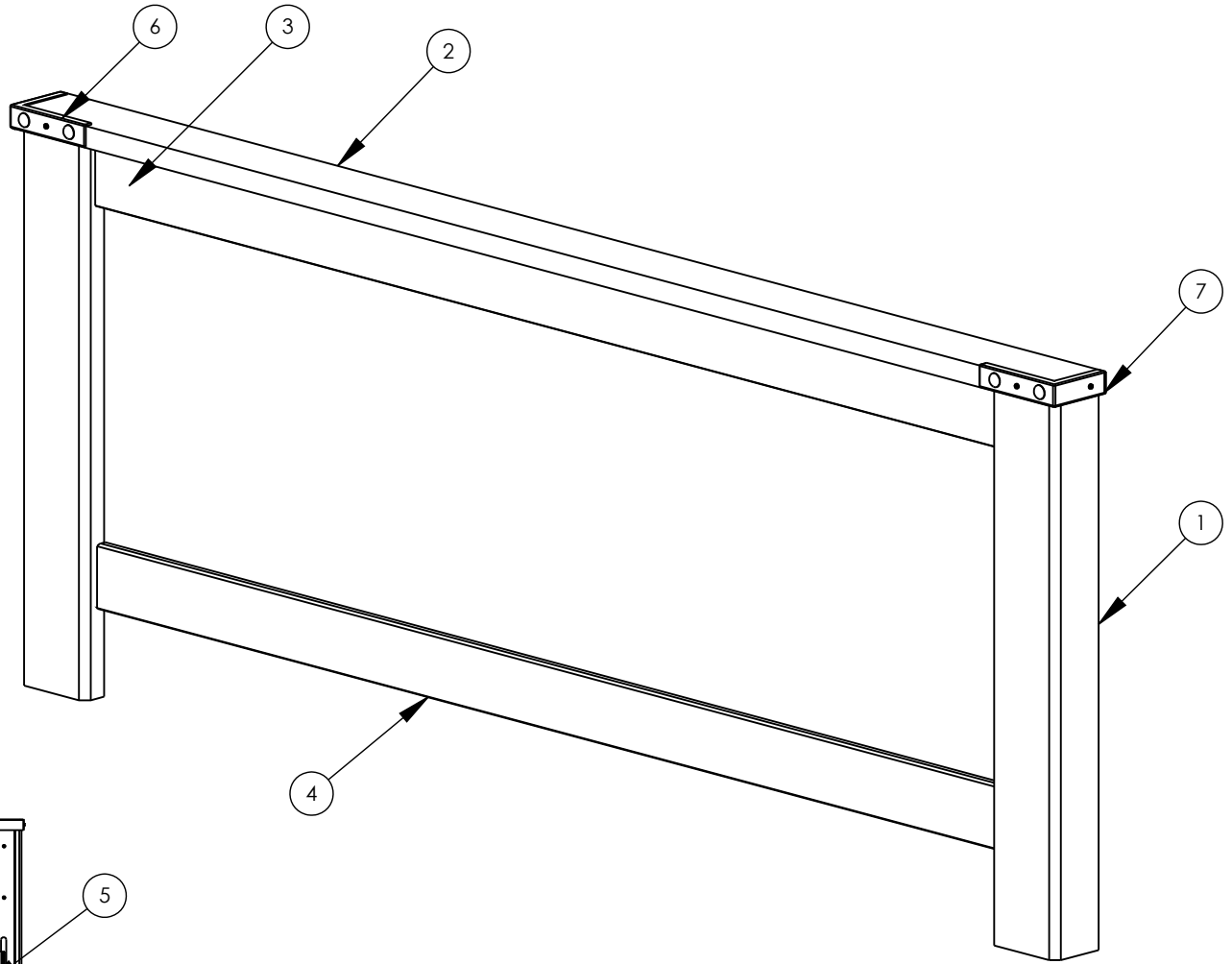


| Item# | Qty | Description | MATERIAL |
|-------|-----|----------------|----------|
| 1 | 2 | POST ASSEMBLY | WOOD |
| 2 | 1 | TOP CAP | WOOD |
| 3 | 1 | TOP BED RAIL | WOOD |
| 4 | 1 | BASESTRIP | WOOD |
| 5 | 2 | BEDLOCK | METAL |
| 6 | 1 | LEFT APPLIQUE | METAL |
| 7 | 1 | RIGHT APPLIQUE | METAL |

| Dwg#: 34608 | |  | |
|--------------------|-------------|---|---------|
| Scale: 1:10 | | TOLERANCES ARE: METRIC..... +.5 / -.5mm DECIMAL..... 0 / -.005" FRACTIONAL..... +0/-.1/32" (UNLESS OTHERWISE SPECIFIED) | |
| Date: 5/5/2015 | | Desc: Footboard | |
| Rev. | Description | Date | Cad/Eng |



BACK VIEW

