

**REMOTE BLOWER 900 CFM / 1200 CFM**

**Installation Instructions  
Use and Care Information**

**Instructions d'installation  
Utilisez et d'entretien**

**Instrucciones de instalación  
Información de uso y cuidado**

**RB900  
RB1200**

# Contents

Important Safety Instructions	3
Venting Requirements and Installation Preparation	5
Main Parts	6
Range Hood Dimensions	7
Choose Your Installation	8
Roof Installation	9
Flat Roof Installation	12
Wall Installation	14
Electrical Connections	16
Wiring Diagram	17
Warranty Statement	18

# READ AND SAVE THESE INSTRUCTIONS

The installer must leave these instructions with the homeowner. The homeowner must keep these instructions for future reference and for local electrical inspectors' use.



You can be killed or seriously injured if you don't follow instructions.  
TO REDUCE THE RISK OF FIRE, ELECTRIC SHOCK, OR INJURY TO PERSONS,  
OBSERVE THE FOLLOWING:

Installation work and electrical wiring must be done by qualified person(s) in accordance with all applicable Codes and Standards, including Fire Rated Construction. Sufficient air is needed for proper combustion and exhausting of gases through the flue (chimney) of fuel burning equipment to prevent back drafting. Follow the heating equipment manufacturer's guideline and safety standards such as those published by the National Fire Protection Association (NFPA), and the American Society of Heating Refrigeration and Air Conditioning Engineers (ASHRAE), and the local code authorities. When cutting or drilling into wall or ceiling, do not damage electrical wiring and other hidden utilities. Ducted fans must always be vented to the outdoors.

Use this unit only in the manner intended by the manufacturer. If you have any questions, contact the manufacturer.

Before servicing or cleaning unit, switch power off at service panel and lock the service disconnecting means to prevent power from being switched on accidentally. When the service disconnecting means cannot be locked, securely fasten a prominent warning device, such as a tag, to the service panel.

**WARNING - TO REDUCE THE RISK OF SHOCK:** This fan must be installed with an isolating wall control / switch.

**CAUTION:** For General Ventilating Use Only. Do Not Use To Exhaust Hazardous or Explosive Materials and Vapors.

To reduce the risk of fire, use only metal ductwork.

This unit must be grounded.

This unit is suitable for use with solid-state speed controls.

For Residential use ONLY

## **Important Note: please refer to your hood installation instructions for connecting the remote blower**

**CAUTION** – To reduce risk of fire and to properly exhaust air, be sure to duct air outside – Do not vent exhaust air into spaces within walls or ceilings or into attics, crawl spaces, or garages”

### **Important**

**Observe all governing codes and ordinances. Proper installation is your responsibility. Make sure you have everything necessary for correct installation. It is the responsibility of the installer to comply with the clearances specified. To avoid damage to motor bearings and impellers, keep drywall spray, construction dust, etc. away from the remote blower. Before installing remote blower, read the installation instructions for the vent system that will be used in conjunction with this remote blower.**

### **Care of your remote blower**

**Disconnect power supply and lock out service panel before cleaning or servicing. To clean, remove cover and vacuum blower and housing, being careful not to damage blower wheel. The motor is permanently lubricated. Do not oil or disassemble.**

### **Electrical requirements**

**Important: Observe all governing codes and ordinances.**

**It is the customer’s responsibility:**

- **To contact a qualified electrical installer.**
- **To assure that the electrical installation is adequate and in conformance with: National Electrical Code, ANSI/NFPA 70 — latest edition\*, or CSA Standards C22.1-94, Canadian Electrical Code, Part 1 and C22.2 No.0-M91 - latest edition\*\* and all local codes and ordinances. If codes permit and a separate ground wire is used, it is recommended that a qualified electrician determine that the ground path is adequate. Do not ground to a gas pipe. Check with a qualified electrician if you are not sure remote blower is properly grounded. Do not have a fuse in the neutral or ground circuit.**

**A 120-volt, 60-Hz, AC-only supply wired for 15 amp service is required. The blower motor must be connected with copper wire only. The remote blower must be connected to the rangehood wiring as described in the rangehood instructions for connecting the remote blower motor wiring. Flexible armored or nonmetallic cable must be used. A U.L./CSA- listed strain relief must be provided at each end of the power supply cable. Wire sizes must conform to the requirements of the National Electrical Code ANSI/NFPA 70 — latest edition\* or Canadian Electrical Code, C22.1 and C22.2 No. 113-M1984 (or latest edition),\*\* and all local codes and ordinances. 14 gauge wire (minimum) is recommended.**

Copies of standards listed may be obtained from:

\* National Fire Protection Association  
One Batterymarch Park  
Quincy, Massachusetts 02269

\*\* CSA International  
8501 East Pleasant Valley Road  
Cleveland, Ohio 44131-5575

## Venting requirements

Determine which ducting method is best for your application. Duct system can extend either through the wall or the roof. Locate the remote blower so that the length of the duct system and the number of elbows is kept to a minimum to provide efficient performance. Where possible, remote blower should be centered between wall studs or roof rafters. The size of the duct system should be uniform.

Do not install two elbows together. Use duct tape to seal all joints in the duct system. Use caulking to seal remote wall or floor opening around the cap. Flexible duct is not recommended. It creates back pressure/air turbulence and greatly reduces performance. Make sure there is proper clearance within the wall or floor for exhaust duct before making cutouts. Avoid pipes, wires, or other duct systems that may be running through the wall. Do not cut a joist or stud unless absolutely necessary. If a joist or stud must be cut, then a supporting frame must be constructed.

### Maximum length of ductwork

Duct length is given as a general reference only. For a longer duct run, or smaller duct system, contact a qualified and trained duct installer. Check with local codes for makeup air requirements, if any. It is recommended that you use round duct instead of rectangular duct, especially if elbows are required. If rectangular duct is required, it should be transitioned to 10" round duct as soon as possible.

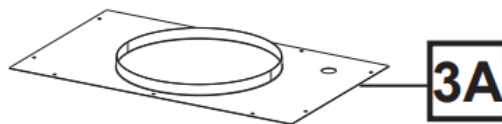
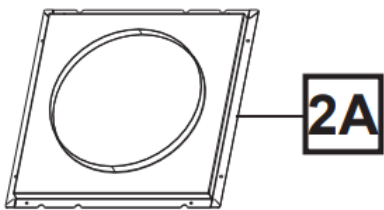
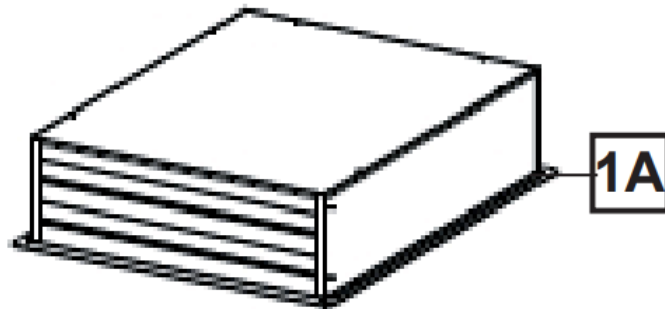
For best performance, use no more than three 90° elbows. If more than one elbow is used, make sure that there is a minimum of 24 inches of straight duct between any two elbows. Do not install two elbows together. 55 feet for 10" round ductwork - count 90° elbows as 5 feet and 45° elbows as 3 feet.

**NOTE: A very short duct run with remote blowers is NOT RECOMMENDED due to excessive noise levels. An internal blower may be advisable with our range hoods to keep noise levels lower.**

### Preparing for installation

1. Discard any cardboard packaging and foam protection from the blower edges. BEFORE PROCEEDING, CHECK FOR PHYSICAL DAMAGE TO THE MOTOR AND BLOWER ASSEMBLY, TO DO SO, REACH IN THROUGH THE INTAKE COLLAR AND SPIN THE FAN BLADES SLOWLY. THEY SHOULD TURN FREELY AND QUIETLY WITHOUT VIBRATION. **If cosmetic or motor damage is seen at this point, STOP the installation and contact your dealer.**
2. Remove the external blower cover with the outside screws and also the inside wiring box cover.
3. Attach an appropriate UL / CSA strain relief in the electrical knockout. NOTE: for most installations, it is recommended that the strain relief be installed so that it can be tightened from inside the remote blower housing.
4. It is advisable to verify operation of the blower and the speed changes before making any cuts. Make a temporary electrical connection (**see page 16 for electrical connection**) and connect to your range hood first. See your hood installation manual for connecting the blower to the hood. Once temporary electrical connections are made, turn on your circuit. If the blower does not operate properly, **please stop installation and contact your dealer. Once operation is verified, turn off the circuit and disconnect the wiring from the wiring box.**

## REMOTE BLOWER CONTENTS



1A) Blower **RB900** OR **RB1200**

2A) 10" Flange "**FLANGE10**" (for use with hoods which require a FLANGE10 or as described in your hood's Use and Care Manual in the **COMBINATIONS HOODS AND MOTOR KITS** section.)

3A) 10" flange with wire box "**INLBKIT**"(for use with **Inca Pro Plus**) plus installation screws



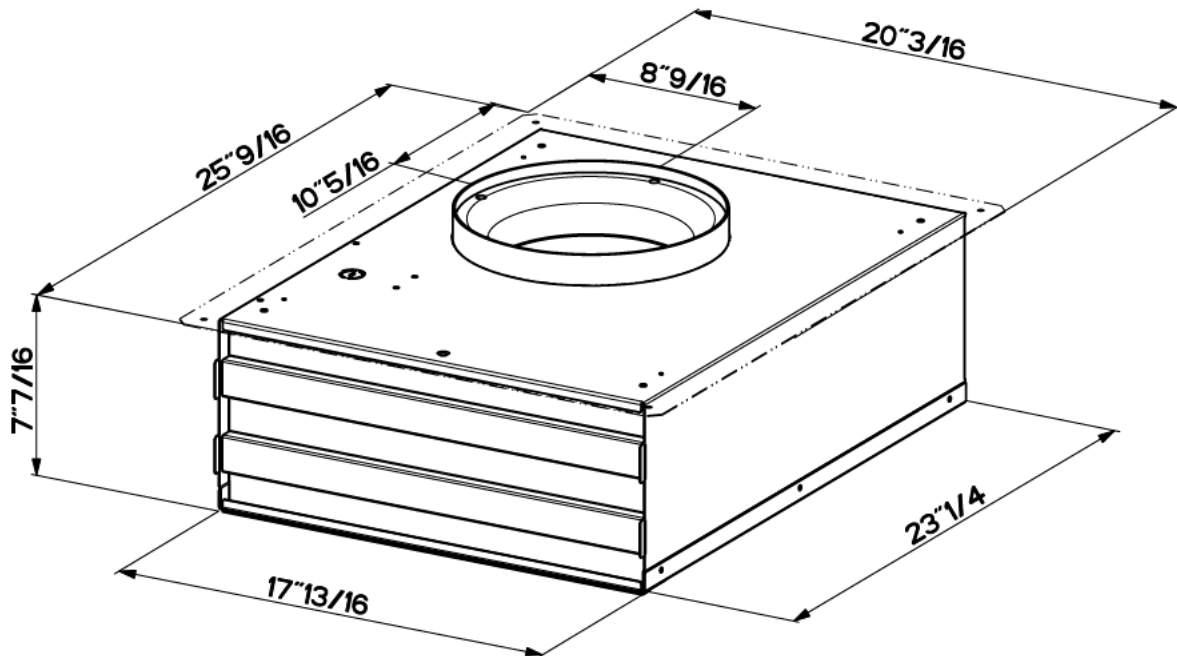
## WARNING

**To avoid the risk of fire due to the unit overheating:**

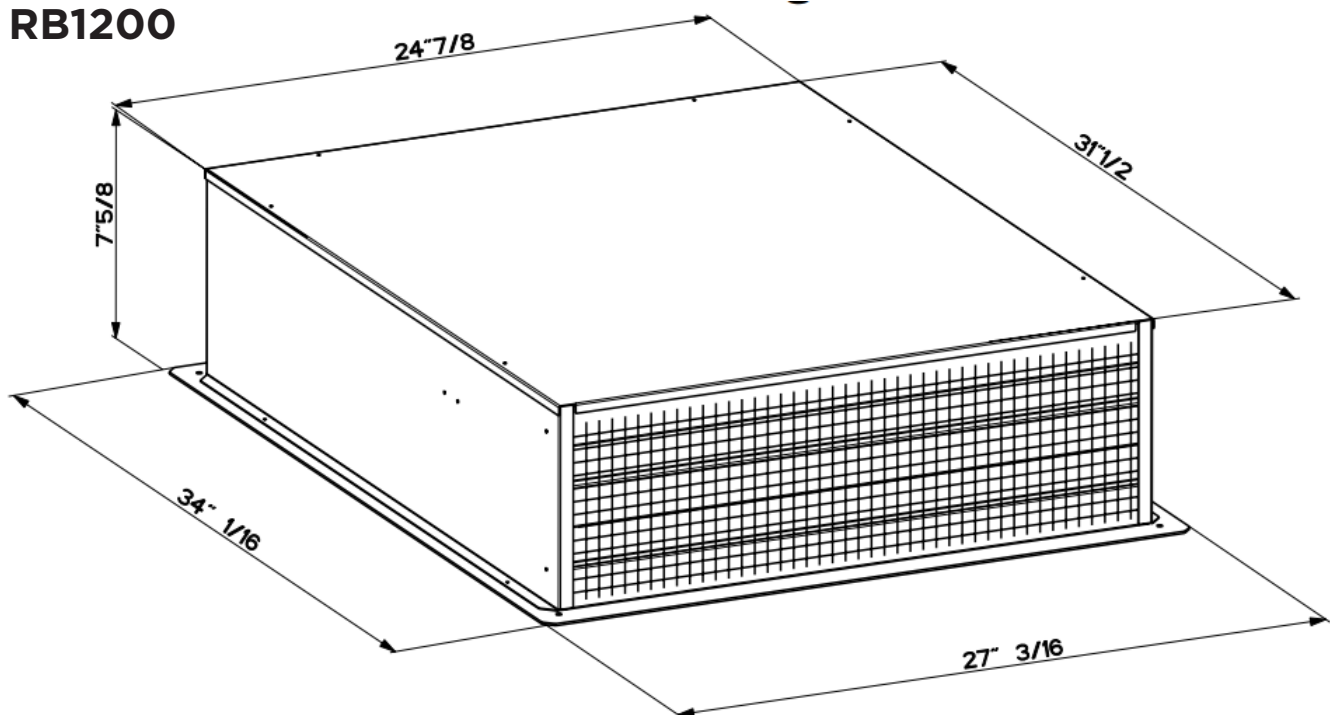
- **DO NOT** install this blower with a hood or downdraft vent that has an internal blower
- **DO NOT** install more than one blower to increase the of the duct run. Even small differences between blower air flow rates can greatly reduce the air draw by the hood or downdraft vent.

## PRODUCT DIMENSIONS

### RB900



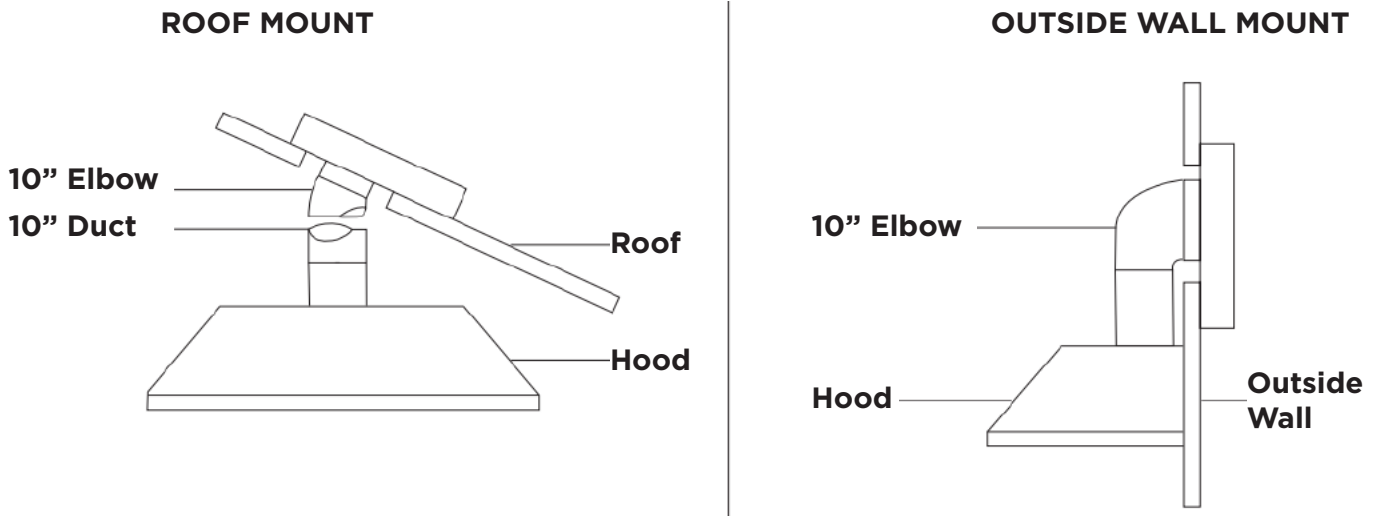
### RB1200



**NOTE: MAKE SURE THE DISCHARGE END OF THE REMOTE BLOWER FACES AWAY FROM THE DIRECTION OF THE PREVAILING WINDS. INSTALL THE DISCHARGE END OF THE FAN FACING AN UNOCCUPIED SPACE**

## Choose your installation - Roof or Wall Installation

**FIGURE 1**



### **WARNING**

**You can be killed or seriously injured if you don't follow instructions.**

#### **Excessive Weight Hazard**

**Use two or more people to move and install a remote blower.**

**Failure to do so can result in back or other injury.**

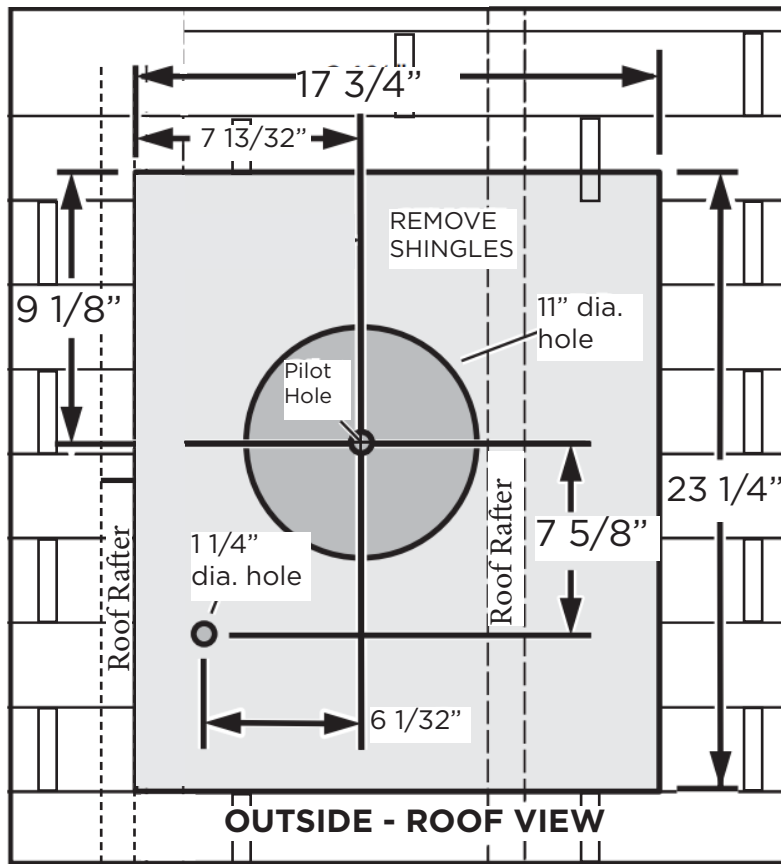
### **Choosing the Proper Location**

1. Install the blower in a location that allows it to be accessed for service if necessary. There must be enough room to remove the top cover.
2. The mounting location needs to allow for a cutout below the unit for ducting and electrical connections to fit through the wall or roof and into the range hood.
3. Avoid installing the blower in a location where the exhaust exit could be exposed to rain blowing into internal components. The exhaust may be shielded if absolutely necessary, without obstructing airflow.
4. When mounted in an exposed area the blower has to be shielded or the cover needs to be sealed to prevent accumulation of water. When installing in horizontal applications (**SEE FIGURE 7**), the exhaust must be pointing in the same direction as prevailing winds. The discharge must point down in a vertical mounting applications.

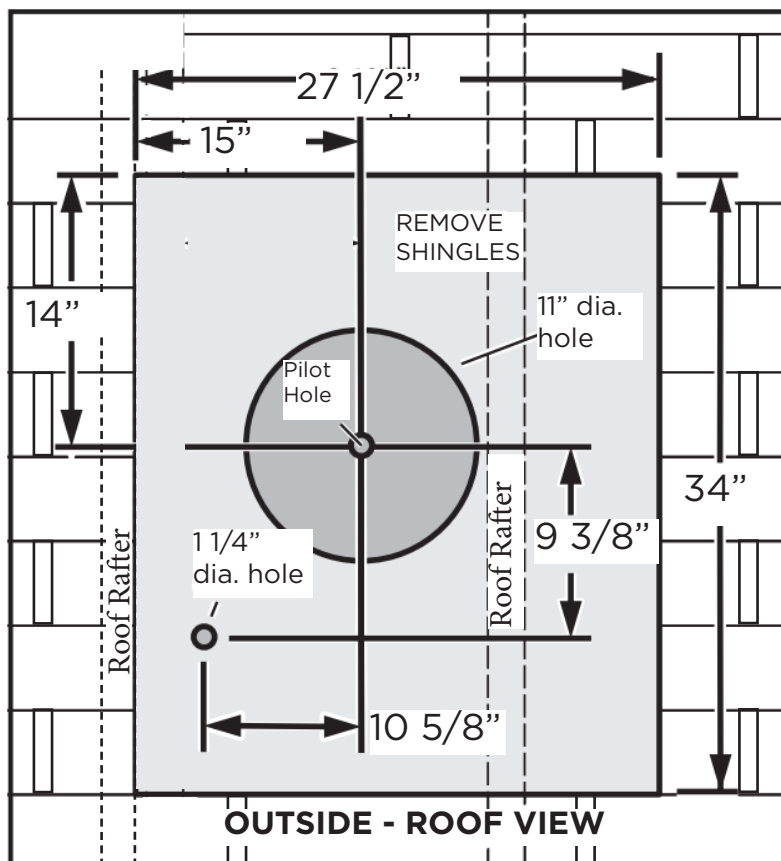


# Roof Installation

## FIGURE 2 - Roof Installation RB900



## FIGURE 3 - Roof Installation RB1200

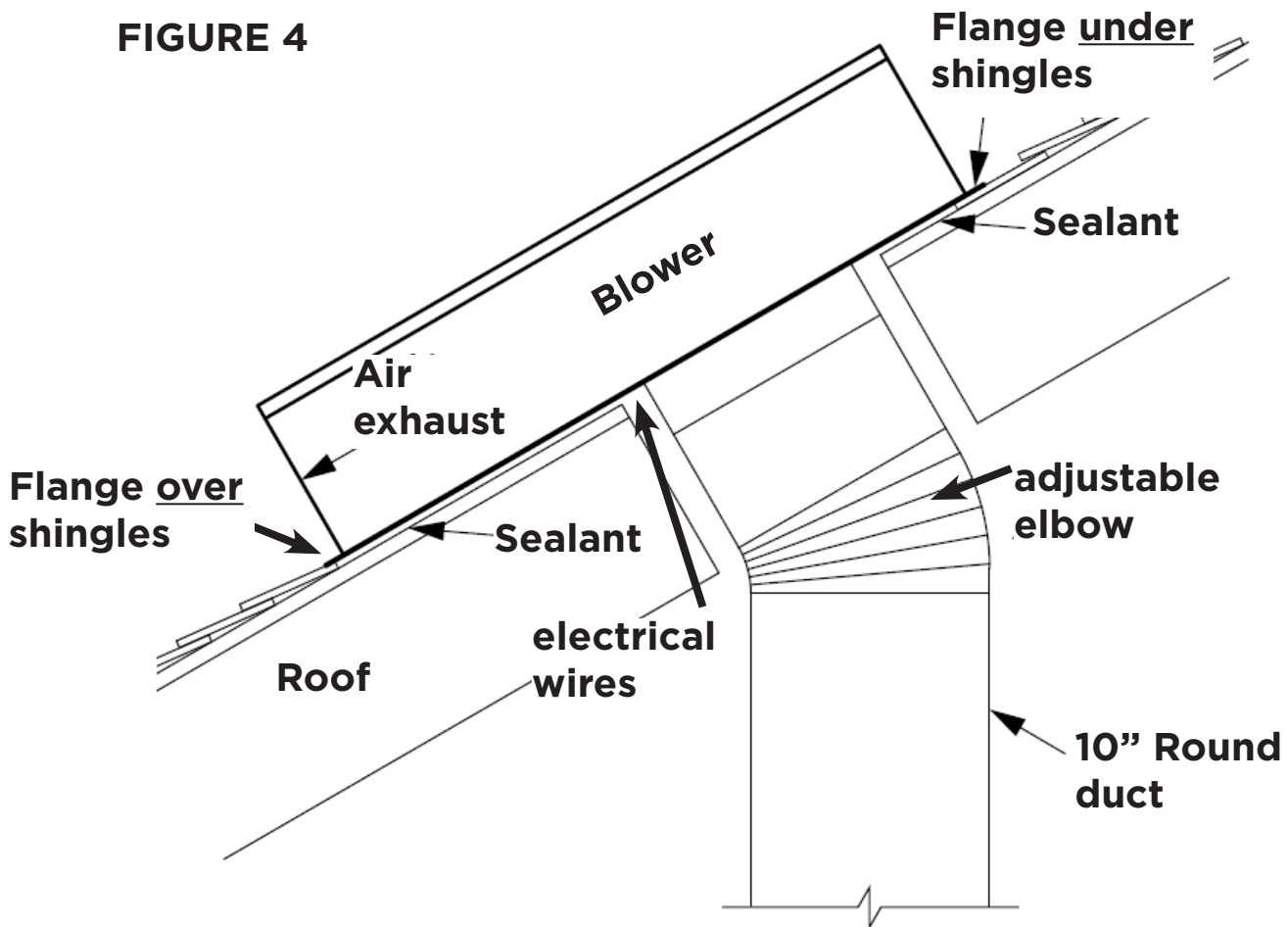


## Roof installations (See Page 12 for Flat roof installations)

1. Choose a location on the roof that minimizes the duct run. Avoid obstacles such as TV leads, electric lines, etc. If remote blower top is level with roof peak, it will not be seen from street. Remember this location as you work from inside the attic. Measure THE DISTANCE BETWEEN YOUR RAFTERS BEFORE YOU BEGIN. Make sure you have enough room between rafters for electrical and duct holes. (See **FIGURE 2 and 3**)
2. CLOSE TO YOUR CHOSEN LOCATION FROM **THE INSIDE** OF YOUR ATTIC OR CRAWL SPACE. Start by marking and drilling a pilot hole up thru the roof **halfway between** roof rafters.
3. **From the outside**, using the guide hole as a starting point, mark the rectangular cut-out as indicated in FIGURE 2 & 3. Remove **ONLY** the shingles in **THIS AREA**.  
RB1200 = 27 1/2" wide x 34" high , RB900 = 17 3/4" wide x 23 1/4" high
4. Mark an 11" diameter circle around the ducting guide hole as indicated in FIGURE 2 and 3. Mark the center of the 1-1/4" diameter hole for the electrical wiring as indicated in FIGURE 2 and 3.
5. Break the electrical knock out hole in the back of the blower. Bring proper electrical wiring through the knockout hole into the blower and secure it according to local codes.
6. Cut out the roof boards along the 11" diameter circle. Drill the 1 - 1/4" diameter electrical wiring hole.
7. Remove roofing nails from the upper two-thirds of the shingles to allow the back flashing sheet on the remote blower housing to fit **under** them. See FIGURE 4.
8. Center the remote blower ring in the 11" diameter hole, making sure that the 1 - 1/4" diameter electrical wiring hole in the roof lines up with the hole in the wiring box.
9. Attach the remote blower to roof or frame using screws appropriate for your installation. All four holes in the back panel must be sealed to prevent moisture that may get inside the remote blower housing from leaking into the home.
10. Seal all the shingles around the remote blower housing, flashing sheet, and mounting screw heads or frame with a good grade of roofing cement. Top and side flanges of the back plate may be covered with trim. It is recommended that electrical connection be made and checked first. Do not block the vent grill opening at the bottom of the trim. Doing so will decrease blower performance.
11. CHECK FOR FREE MOVEMENT OF THE DAMPER
12. Go to "electrical connections", Page 16.

## Roof installations (Connecting Ductwork)

FIGURE 4



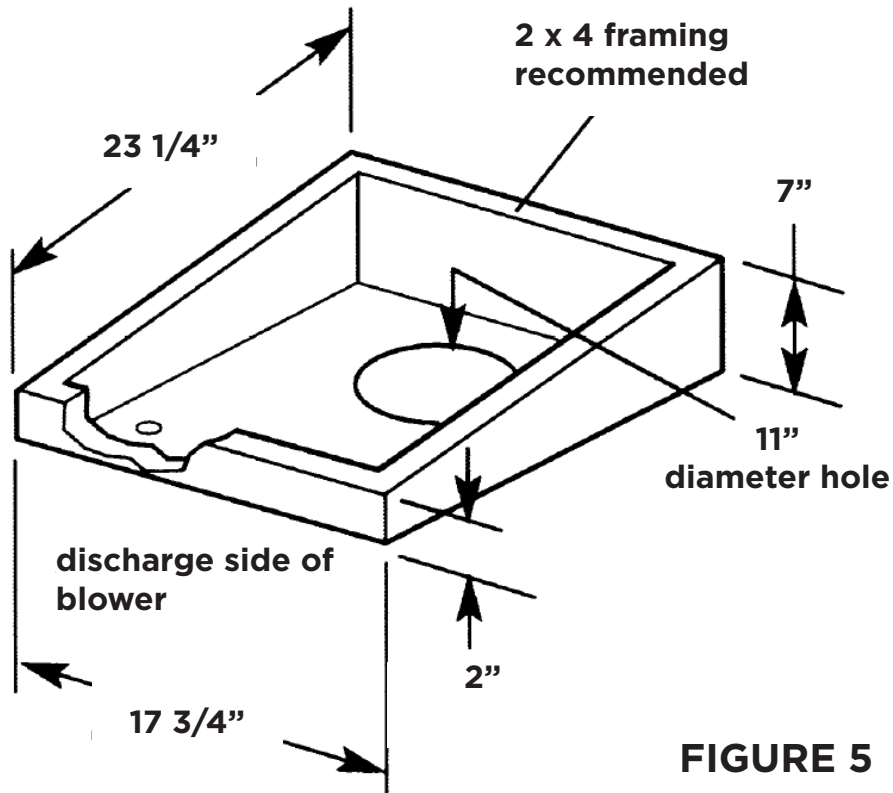
### NOTE:

Connect the blower to the exhaust system with a 10" diameter metal duct only. Use a 10" adjustable elbow to adjust to the roof angle. IMPORTANT: You must run 10" **RIGID** round duct work from the external blower to the ceiling. Reducing to smaller ducting will greatly reduce performance and possibly reduce the life span of the blower.

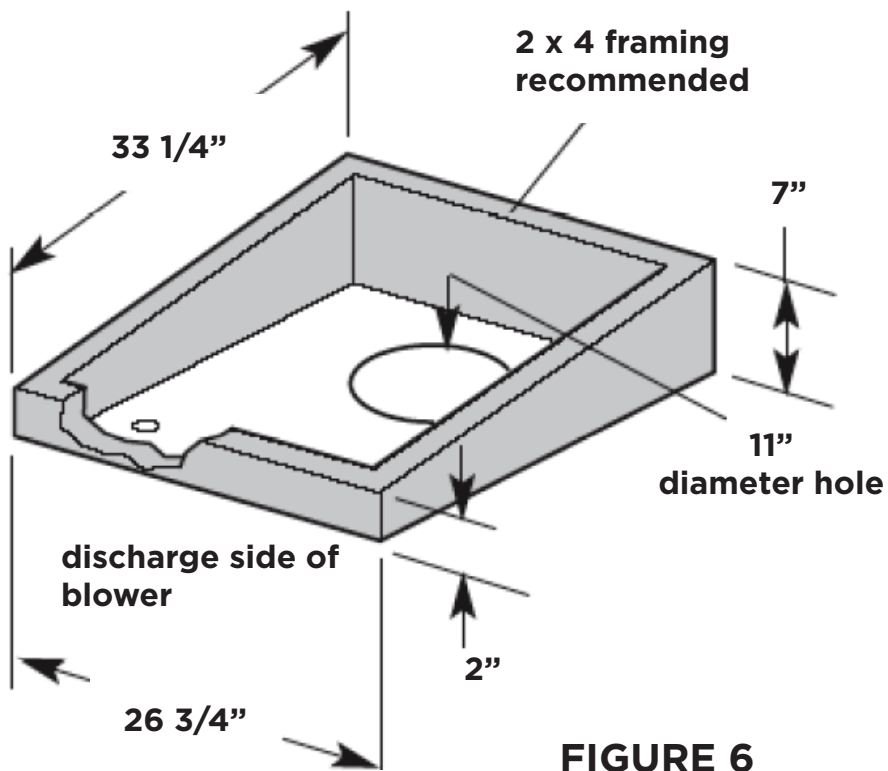
Tape and screw all joints to prevent air leaks.

# Flat roof installations

## Flat Roof Installations RB900



## Flat Roof Installations RB1200

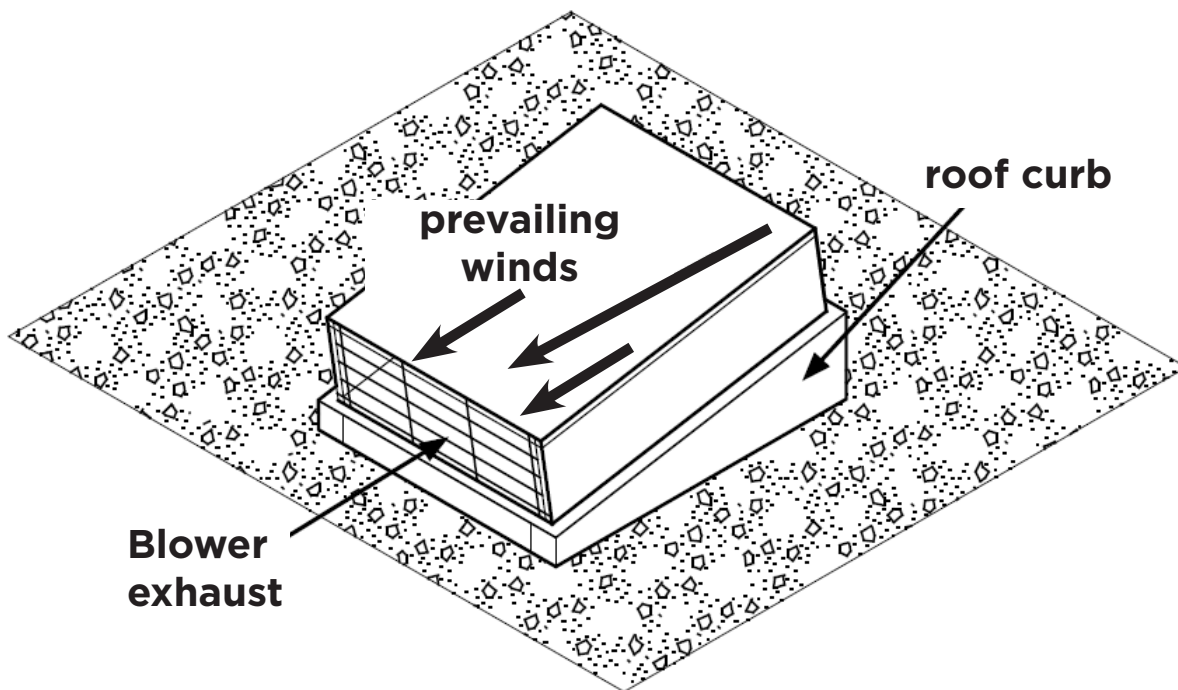


## Flat roof installations

1. Locate the 11" diameter hole between rafters.
2. Build a sloping base or roof curb that will mount the remote blower at a minimum pitch of 2 - 1/2". (See FIGURE 5 and 6)
3. Weatherproof the base as required with proper sealant.
4. Locate the base so that the remote blower's vent aligns with the 11" diameter hole and the blower sits evenly on the base with no gaps.

**Note: Make sure that the discharge end of the remote blower faces away from the direction of prevailing winds. (FIGURE 7)**

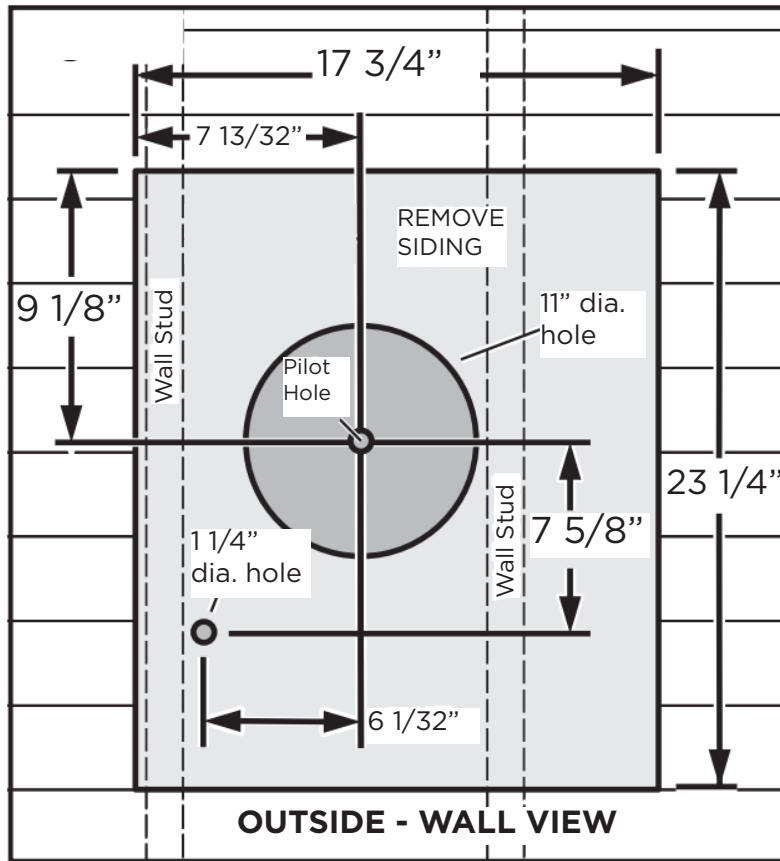
5. Use dimensions from either FIGURE 2 or 3 to locate the 1-1/4" diameter wiring hole. **CONTINUE WITH PART # 6 UNDER ROOF INSTALLATIONS ON PAGE 10.**



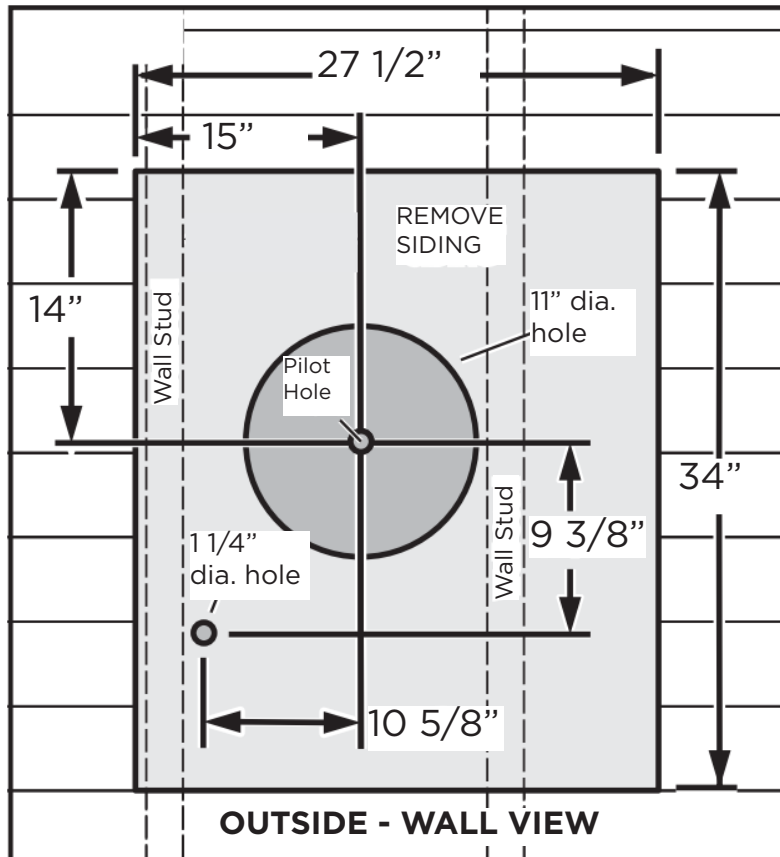
**FIGURE 7**

# Wall Installation

## FIGURE 8 WALL INSTALLATION - RB900



## FIGURE 9 WALL INSTALLATION - RB1200



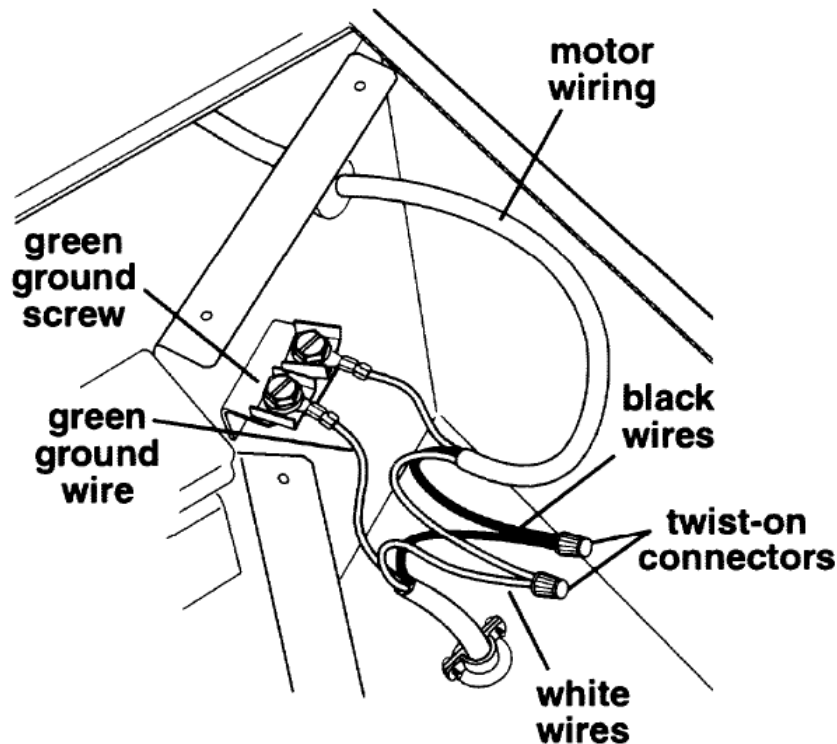
## Wall installations

1. Choose a location on an outside wall where no wall studs, wires, pipes, etc. run through the opening area. A minimum distance of 24" from remote blower to ground may be required depending on local code. Make sure to leave room for anticipated snowfall in your region.
2. Drill the ducting pilot hole in the center of the 11" diameter opening area. Make sure you have enough room between wall studs for electrical and duct holes to fit. See **FIGURE 8 or 9**
3. Mark a 27 1/2" X 34" (**RB1200**) OR Mark a 17 3/4" x 23 1/4" (**RB900**) rectangle on the wall as indicated in FIGURE 8 or 9
4. Using FIGURE 8 (RB900) AND FIGURE 9 (RB1200) , cut and **remove only the external siding in the rectangular shaped** shaded area ONLY. **DO NOT CUT THRU WALL / SHEATHING**. Nail down all siding ends.
5. Mark an 11" diameter circle around the guide hole as indicated in FIGURE 8 OR 9. Mark the center of the 1-1/4" diameter hole for electrical wiring as indicated in FIGURE 8 OR 9.
6. Cut the 11" diameter hole all the way through the wall / sheathing. Drill the 1 1/4" diameter electrical wiring hole.
7. Break the electrical knock out hole in the back of the blower. Bring proper electrical wiring through the knockout hole into the blower and secure it according to local codes.
8. Run a large bead of caulk on the back side of the blower housing along the outer edge.
9. Center the remote blower ring in the 11" diameter hole, making sure that the 1 1/4" diameter electrical wiring hole lines up with the hole in the wiring box.
10. Attach the remote blower to wall using screws appropriate for your installation. All four holes in the back panel must be sealed to prevent moisture that may get inside the remote blower housing from leaking into the home.
11. Seal all around the mounting screw heads with a good grade of outdoor caulking.
12. CHECK FOR FREE MOVEMENT OF THE DAMPER
13. Go to "electrical connections", Page 16.

## Electrical Connections

1. Make the electrical connections, taking the electrical cable previously put thru the knock out hole. Connect the white and black wires of the power supply cable wire to the white and black wires in the remote blower wiring box with twist-on connector. Connect the green power supply ground wire to the green ground screw.
2. Place the wire box cover back on the wirebox with the provided screws.
3. Reinstall the exterior remote blower box housing back onto the blower with provided screws.
4. Refer to your hood manual for finishing electrical connections.

**FIGURE 10**



### **WARNING**

You can be killed or seriously injured if you don't follow instructions.

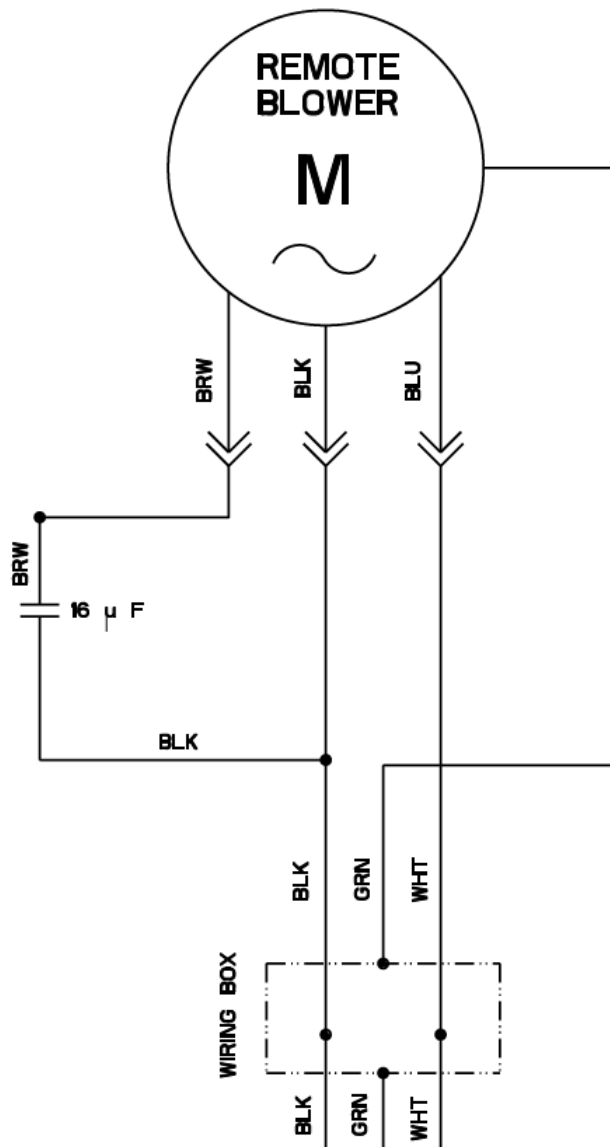
**TO REDUCE THE RISK OF FIRE, ELECTRIC SHOCK, OR INJURY TO PERSONS, OBSERVE THE FOLLOWING:**

- Disconnect power before making electrical connection.
- Connect the ground wire to green ground screw in wiring box.

**Failure to do so can result in death or electrical shock**



# Wiring Diagram





## FABER CONSUMER WARRANTY & SERVICE

All Faber products are warranted against any defect in materials or workmanship for the original purchaser for a period of 1 year from the date of original purchase (requires proof of purchase). This warranty covers labor and replacement parts. Faber, at its option, may repair or replace the product or components necessary to restore the product to good working condition. To obtain warranty service, contact the dealer from whom you purchased the range hood, or the local Faber distributor. If you cannot identify a local Faber distributor, contact us at (508) 358-5353 for the name of a distributor in your area.

**The following is not covered by Faber's warranty:**

1. Service calls to correct the installation of your range hood, to instruct you how to use your range hood, to replace or repair house fuses or to correct house wiring or plumbing.
2. Service calls to repair or replace range hood light bulbs, fuses or filters. Those consumable parts are excluded from warranty coverage.
3. Repairs when your range hood is used for other than normal, single-family household use.
4. Damage resulting from accident, alteration, misuse, abuse, fire, flood, acts of God, improper installation, installation not in accordance with electrical or plumbing codes or Faber documentation, or use of products not approved by Faber.
5. Replacement parts or repair labor costs for units operated outside the United States or Canada, including any non-UL or C-UL approved Faber range hoods.
6. Repairs to the hood resulting from unauthorized modifications made to the range hood.
7. Expenses for travel and transportation for product service in remote locations and pickup and delivery charges. Faber range hoods should be serviced in the home.

THIS WARRANTY DOES NOT ALLOW RECOVERY OF INCIDENTAL OR CONSEQUENTIAL DAMAGES, INCLUDING, WITHOUT LIMITATION, DIRECT, INDIRECT, INCIDENTAL, SPECIAL OR CONSEQUENTIAL DAMAGES, PERSONAL INJURY/WRONGFUL DEATH OR LOST PROFITS FABER WARRANTY IS LIMITED TO THE ABOVE CONDITIONS AND TO THE WARRANTY PERIOD SPECIFIED HEREIN AND IS EXCLUSIVE. EXCEPT AS EXPRESSLY SPECIFIED IN THIS AGREEMENT, FABER DISCLAIMS ALL EXPRESS OR IMPLIED CONDITIONS, REPRESENTATIONS, AND WARRANTIES INCLUDING, WITHOUT LIMITATION, ANY IMPLIED WARRANTIES OF MERCHANTABILITY OR FITNESS FOR A PARTICULAR PURPOSE.

This warranty gives you specific legal rights that may vary from state to state.

Model#: \_\_\_\_\_

Serial #: \_\_\_\_\_

January 4, 2016



