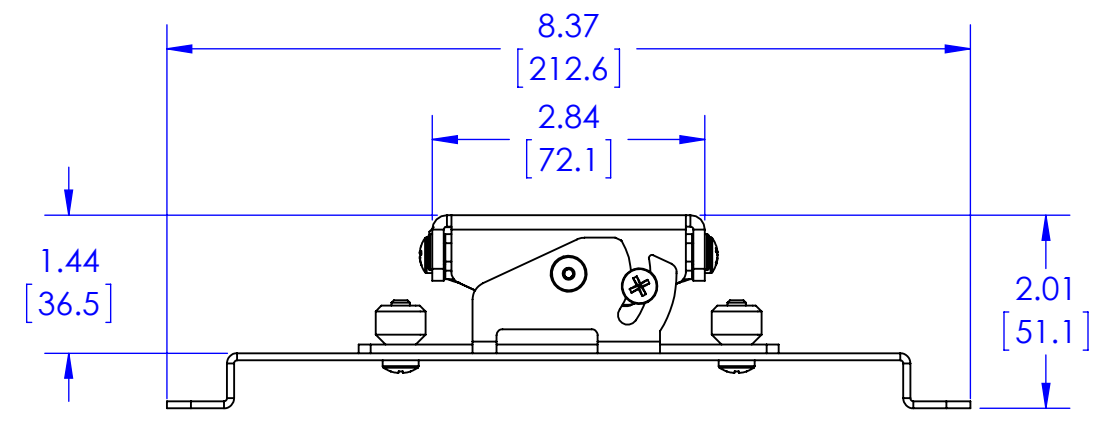
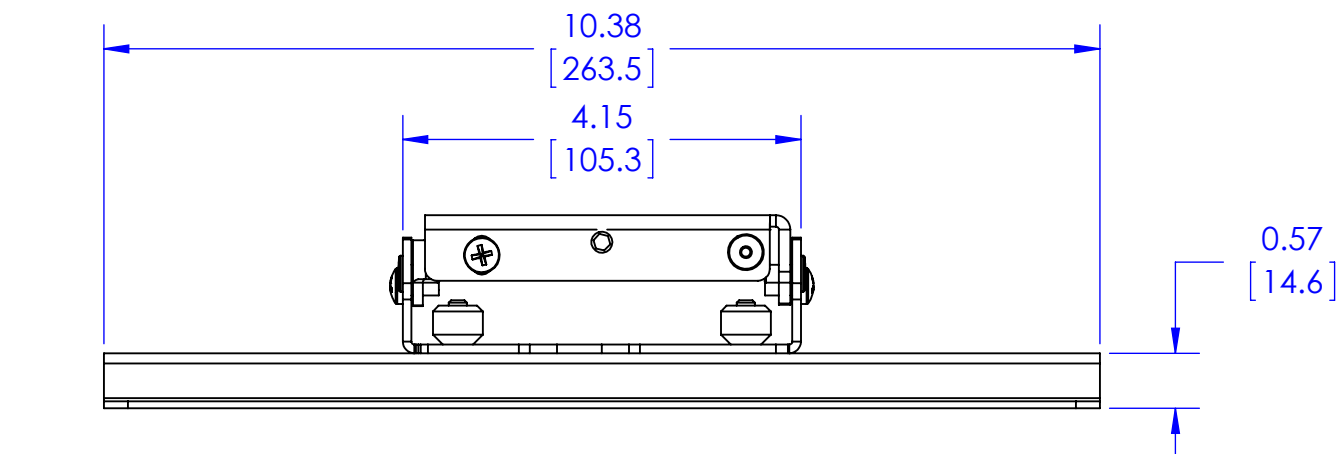


ACCEPTS 1.5" NPT THREADS



FRONT OF PROJECTOR

THE INFORMATION AND DESIGNS CONTAINED IN THIS DRAWING ARE CONFIDENTIAL AND THE PROPRIETARY PROPERTY OF MILESTONE AV TECHNOLOGIES NEITHER THIS DESIGN NOR ANY INFORMATION CONTAINED IN THIS DRAWING MAY BE REPRODUCED OR DISCLOSED TO OTHERS WITHOUT THE EXPRESS WRITTEN CONSENT OF MILESTONE AV TECHNOLOGIES.

CAD GENERATED DRAWING, DO NOT MANUALLY UPDATE.			6436 CITY WEST PKWY EDEN PRAIRIE MN, 55344 PHONE: 866-977-3901 FAX: 877-894-6918	
DRAWN BY	SEF	1/23/2013		
ENG APPROVAL		01/23/2013	DESCRIPTION TECH DRAWING RSA285/SSB285	
MFG APPROVAL			MODEL NO. RSA285/SSB285	
QA APPROVAL			SIZE B	DWG. NO. TECH-000304
SHEET 1 OF 1			SCALE 1:2	REV. 00