



ZLINE



BATH ACCESSORIES

Installation Guide
and Users Manual



This product can expose you to chemicals including nickel, which is known to the State of California to cause cancer, and birth defects or other reproductive harm. For more information go to www.P65Warnings.ca.gov.

Even though the materials used in all ZLINE Kitchen and Bath products conform to all federal government regulations and all national product standards, California's Prop 65 requires all businesses to provide a "clear and reasonable warning" if one or more listed chemicals may be present in the product, even if that chemical is present in trace quantities



Professionally design your home with ZLINE's Designer Kitchen and Bath Accessories. With a wide selection of accessories available, you can perfectly customize your kitchen and bath space to your style. The ZLINE Kitchen and Bath Accessories come in our specialty Chrome, Brushed Nickel, Gun Metal, Matte Black, and Polished Gold finishes for you to expertly coordinate and complete your kitchen and bath collection. With industry-leading resistance to wear, corrosion, and tarnish, the premium finishes on our kitchen and bath accessories are designed to shine and built to last.

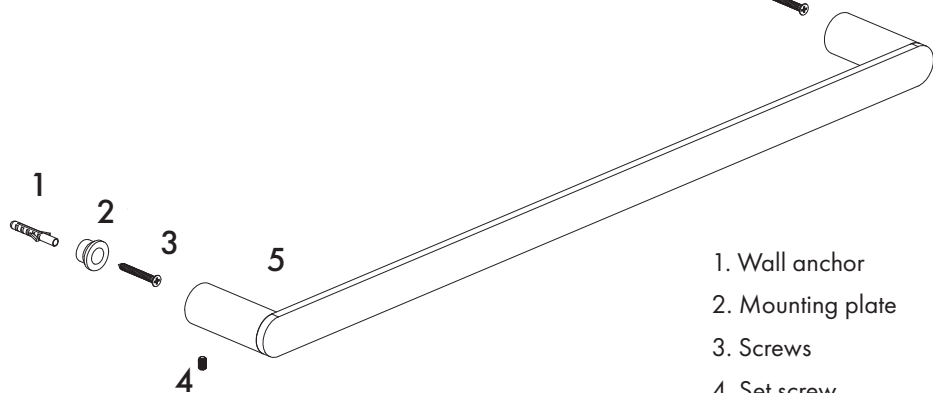
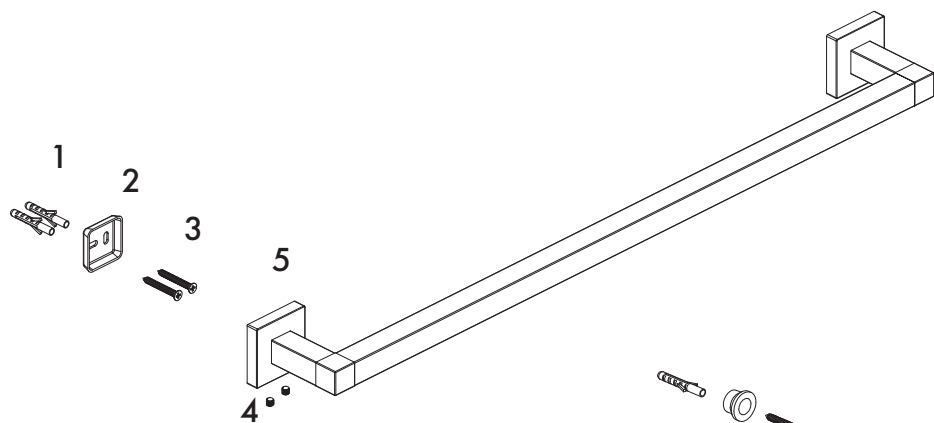
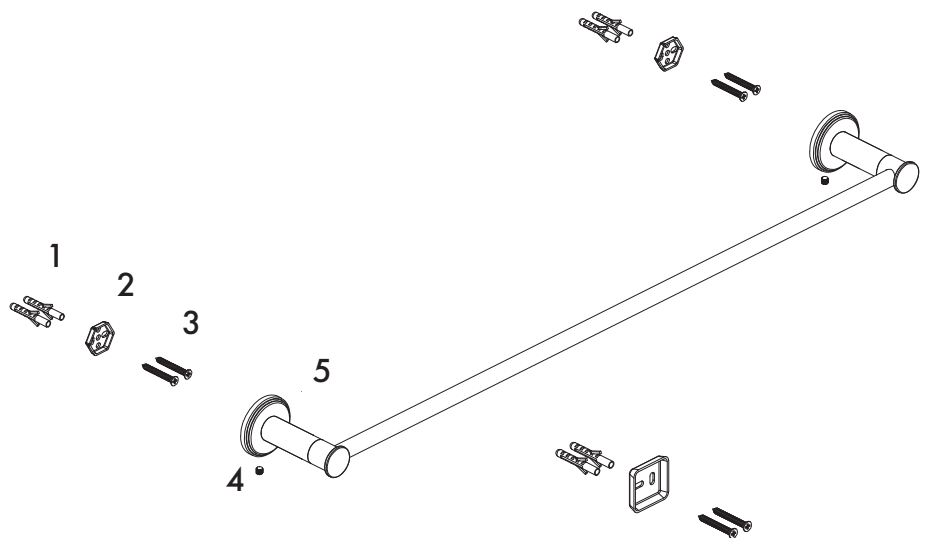
TABLE OF CONTENTS

● TOWEL RAIL	1
Parts	
Tools	
Dimensions	
Assembly	
● DOUBLE TOWEL RAIL	6
Parts	
Tools	
Dimensions	
Assembly	
● TOWEL RING	11
Parts	
Tools	
Dimensions	
Assembly	
● HAND TOWEL HOLDER	16
Parts	
Tools	
Dimensions	
Assembly	
● ROBE HOOK	20
Parts	
Tools	
Dimensions	
Assembly	

TABLE OF CONTENTS

● TOILET PAPER HOLDER	25
Parts	
Tools	
Dimensions	
Assembly	

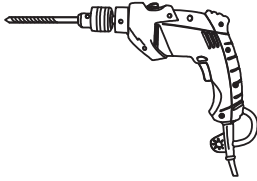
TOWEL RAIL



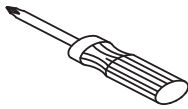
1. Wall anchor
2. Mounting plate
3. Screws
4. Set screw
5. Towel rail

TOWEL RAIL

Tools:



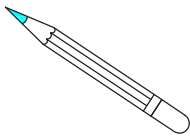
Drill



Phillips-head screwdriver



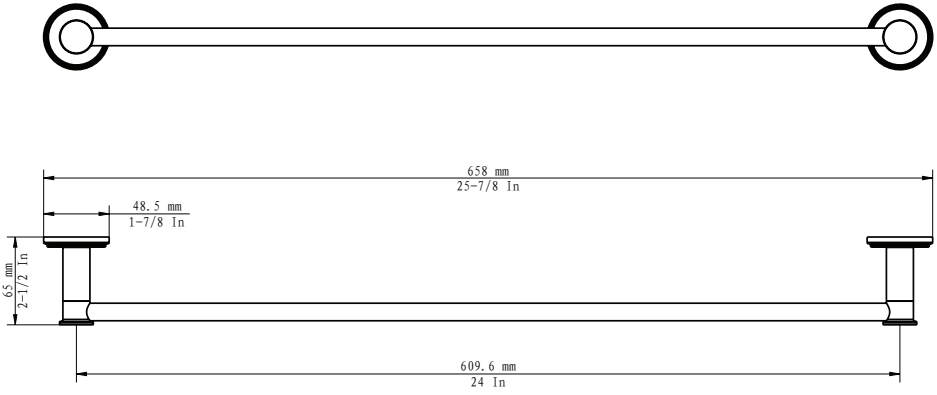
Level



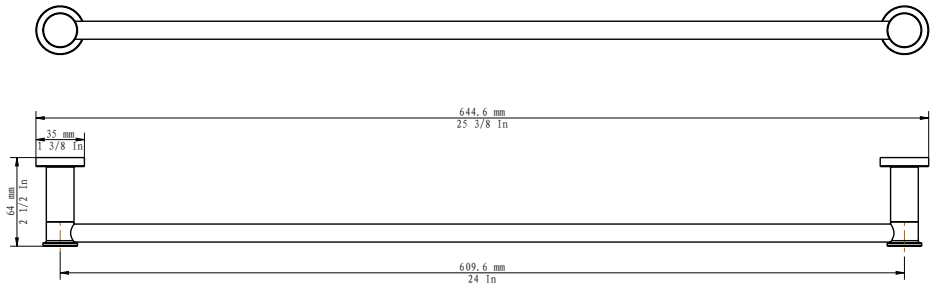
Pencil

TOWEL RAIL

ELD-TR

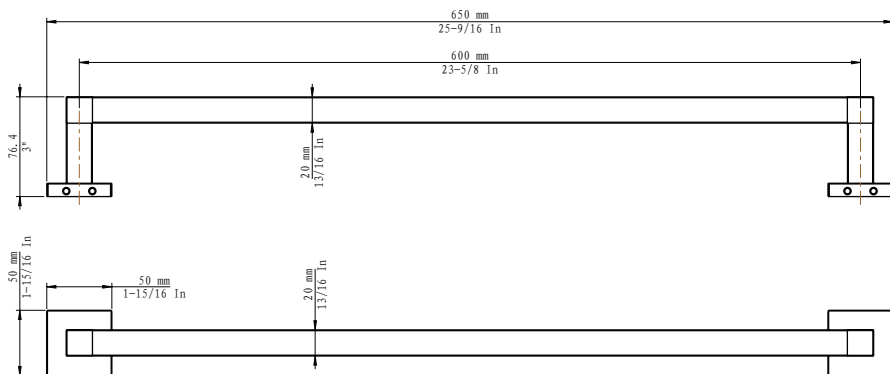


EMBY-TR

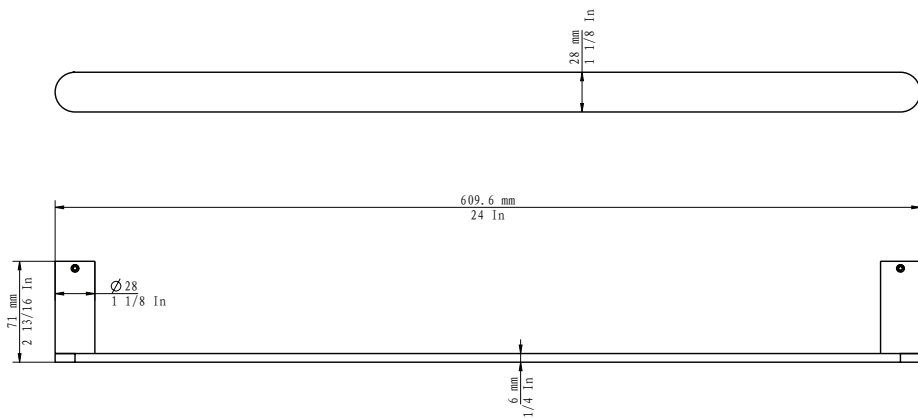


TOWEL RAIL

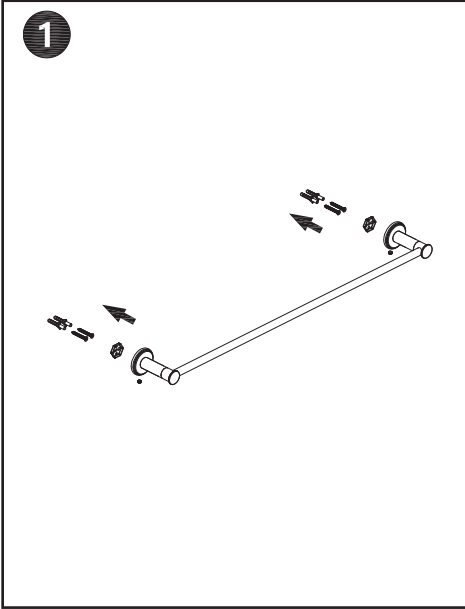
BLS-TR



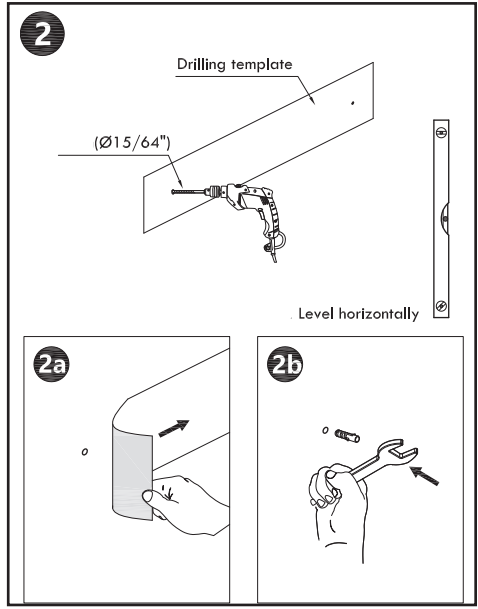
CBY-TR



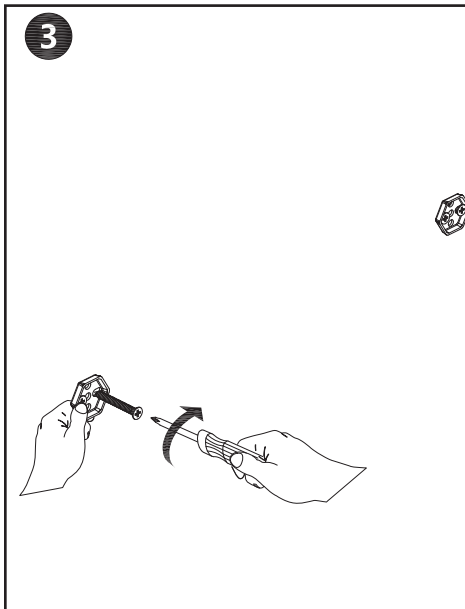
TOWEL RAIL



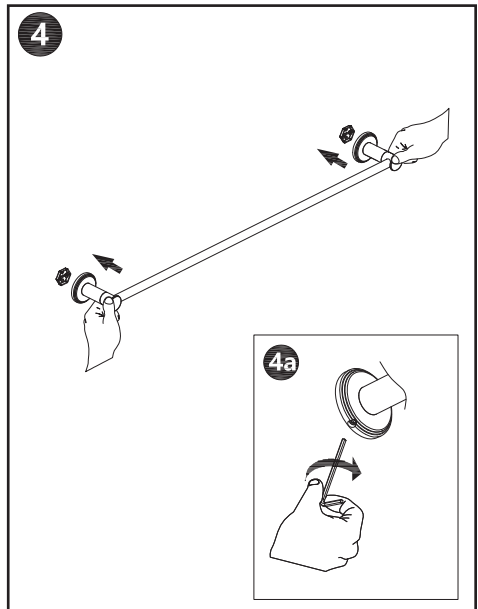
Plan where the towel rail will hang on the wall.



Use the drilling template and level to set the position.

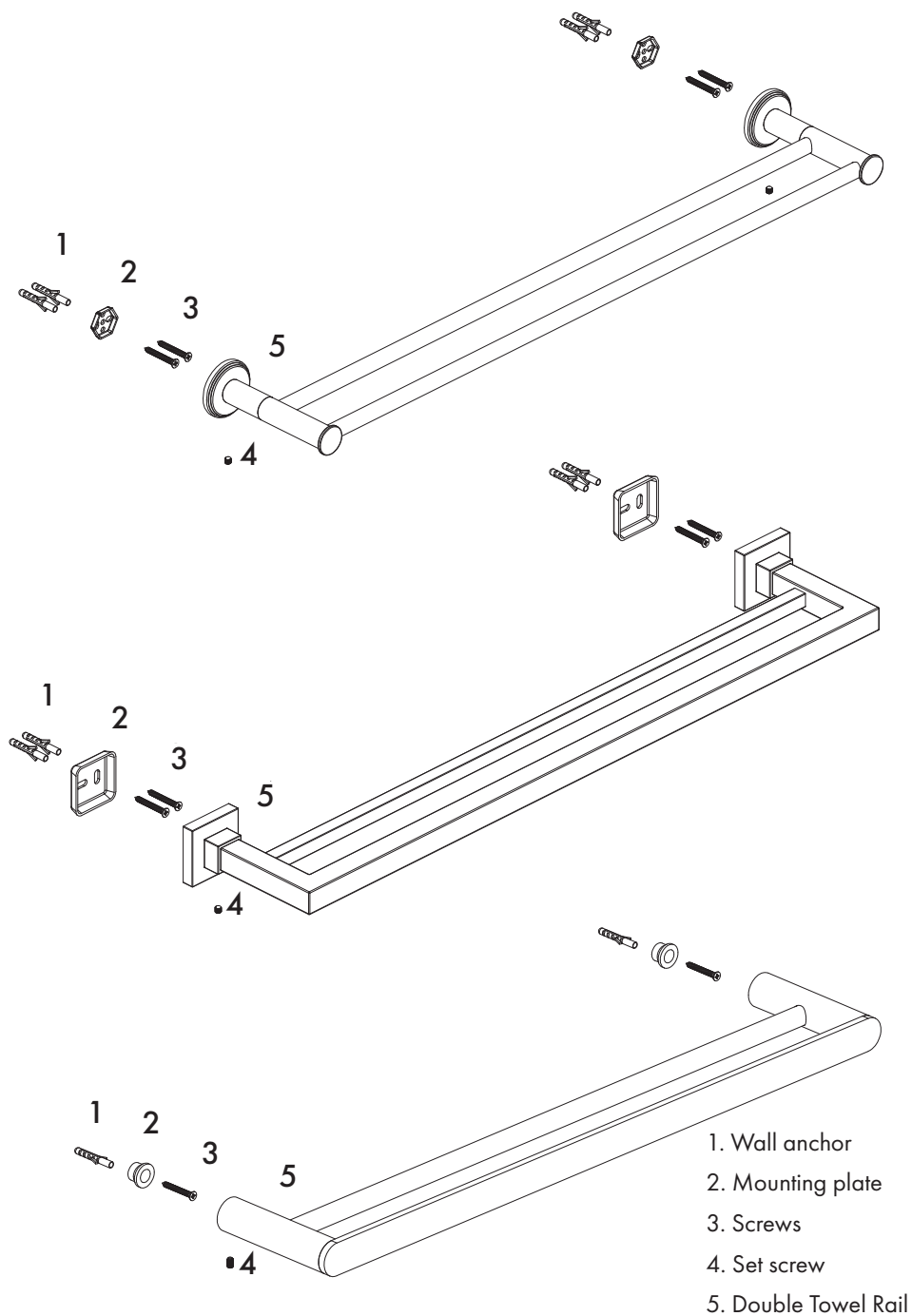


Secure the mounting plates into place.



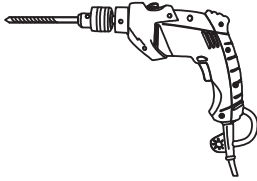
Secure the towel rail into place with the hex key.

DOUBLE TOWEL RAIL

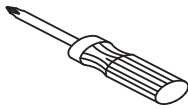


DOUBLE TOWEL RAIL

Tools:



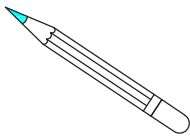
Drill



Phillips-head screwdriver



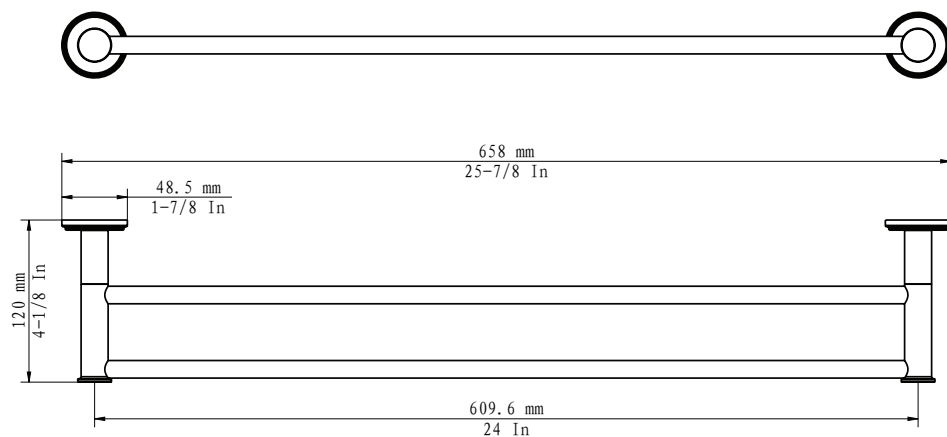
Level



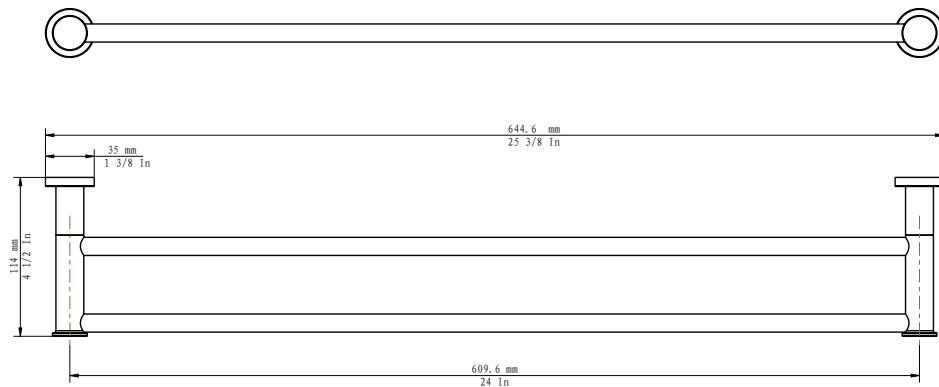
Pencil

DOUBLE TOWEL RAIL

ELD-TRD

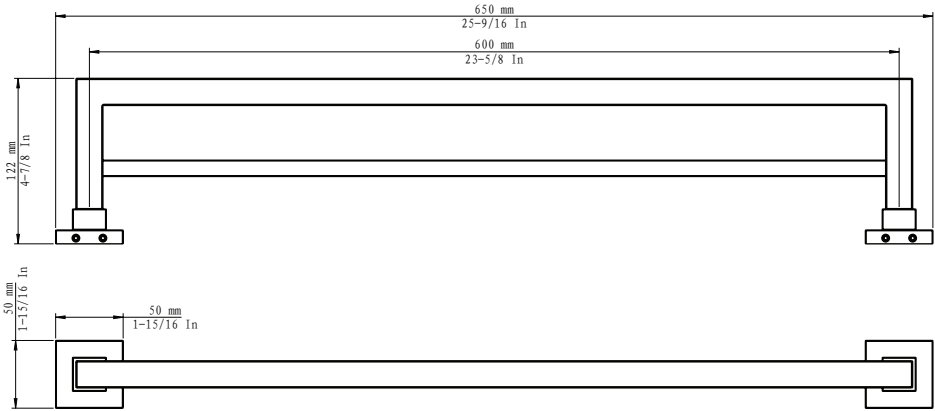


EMBY-TRD

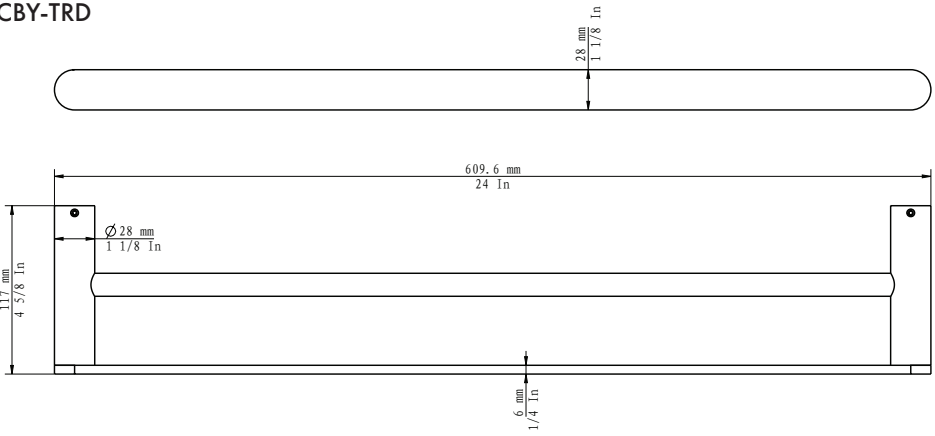


DOUBLE TOWEL RAIL

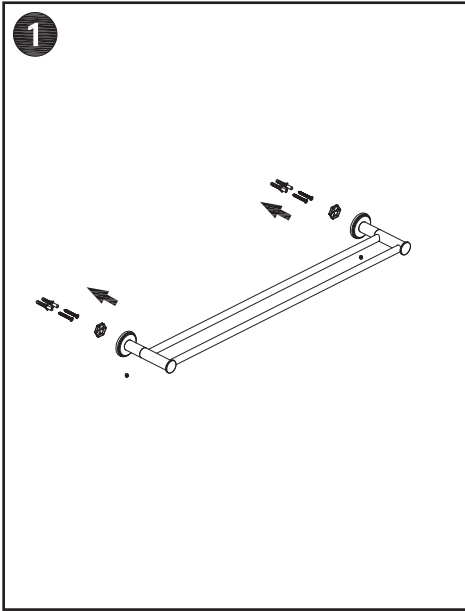
BLS-TRD



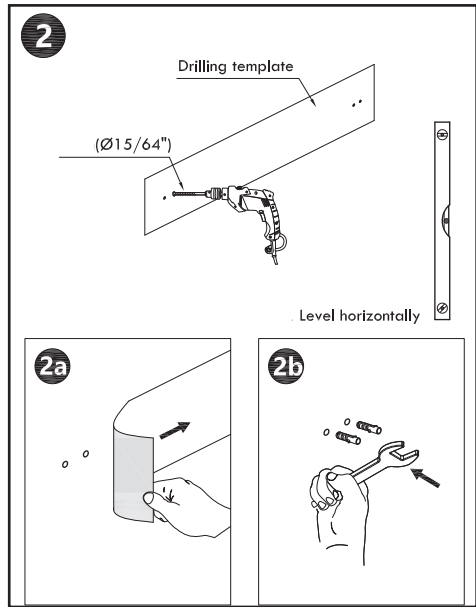
CBY-TRD



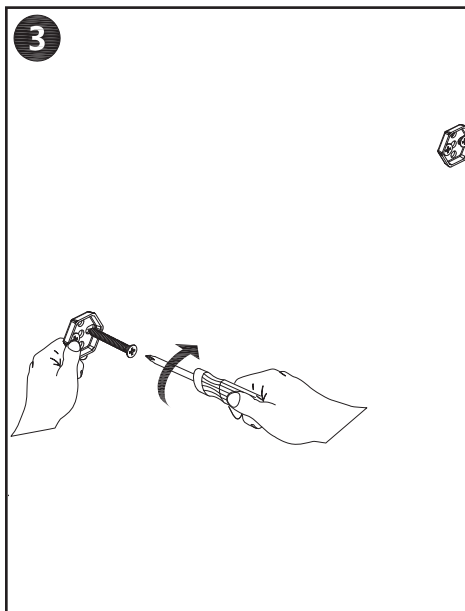
DOUBLE TOWEL RAIL



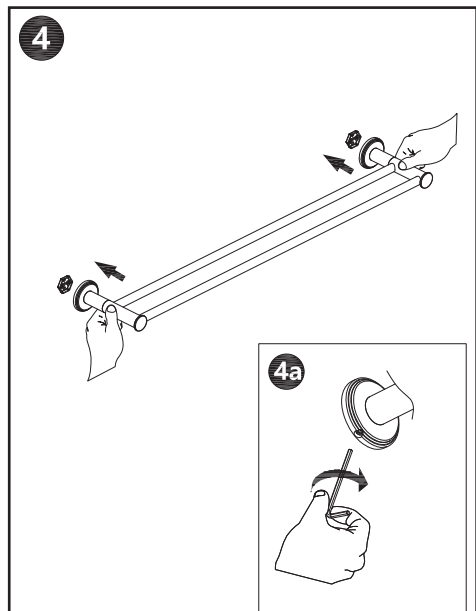
Plan where the double towel rail will hang on the wall.



Use the drilling template and level to set the position.

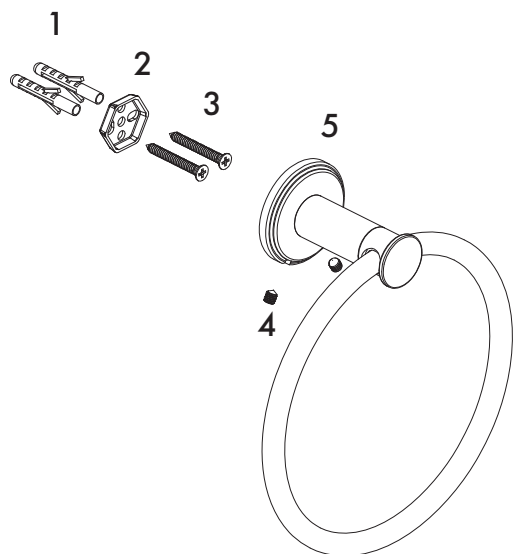


Secure the mounting plates into place.

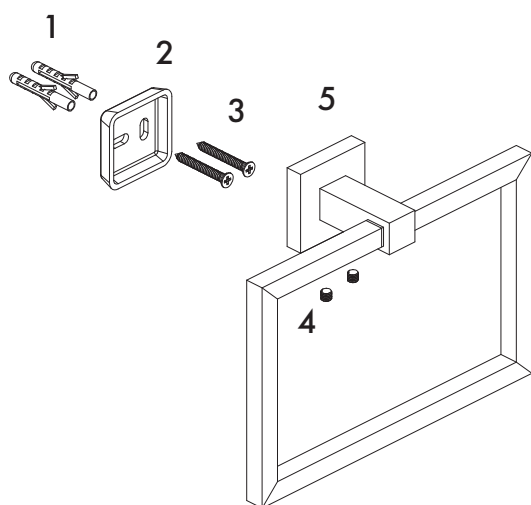


Secure the double towel rail into place with the hex key.

TOWEL RING

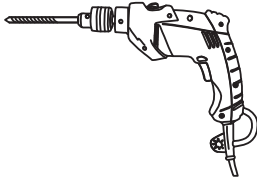


1. Wall anchor
2. Mounting plate
3. Screws
4. Set screw
5. Towel ring

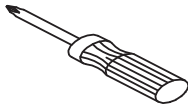


TOWEL RING

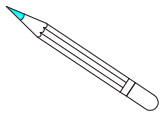
Tools:



Drill



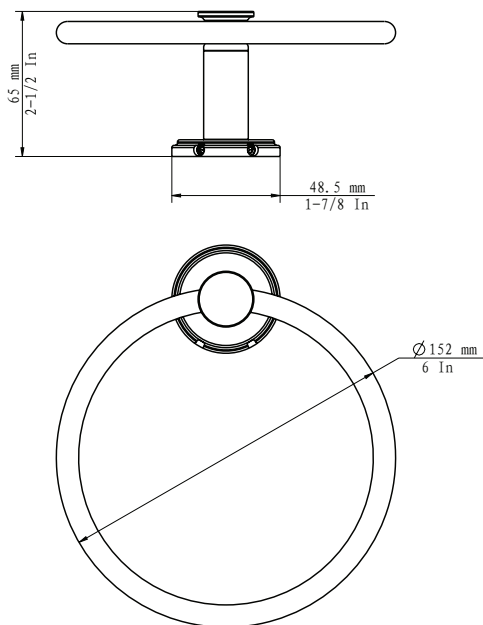
Phillips-head screwdriver



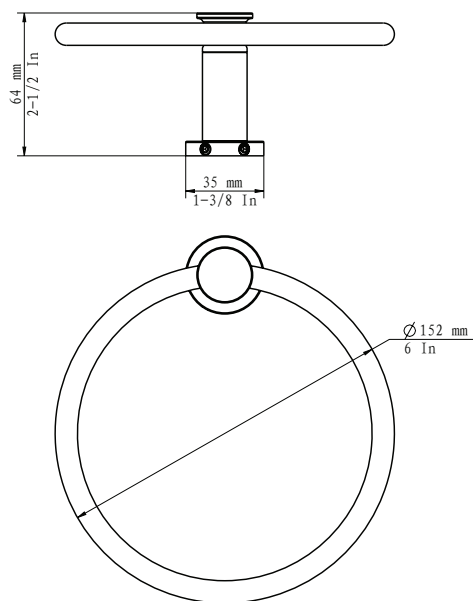
Pencil

TOWEL RING

ELD-TRNG

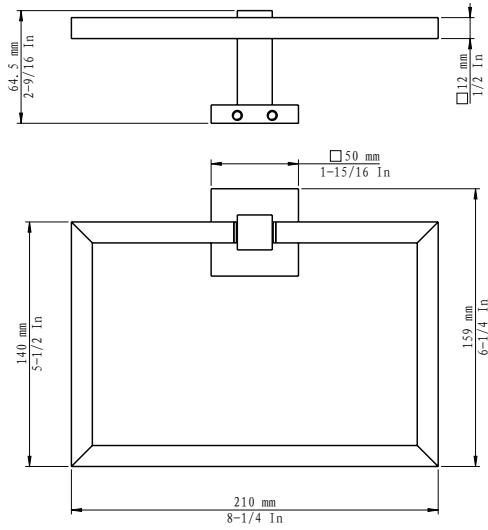


EMBY-TRNG

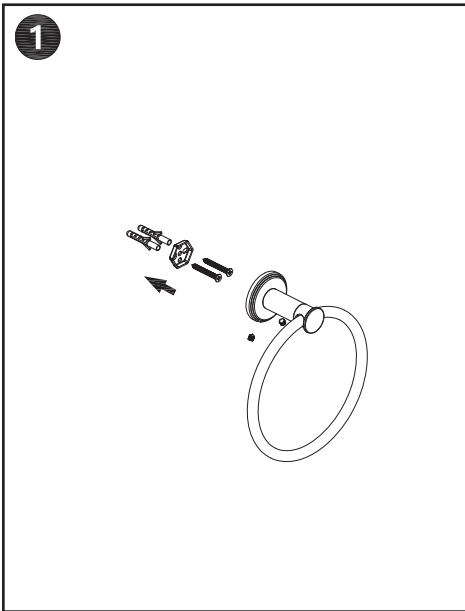


TOWEL RING

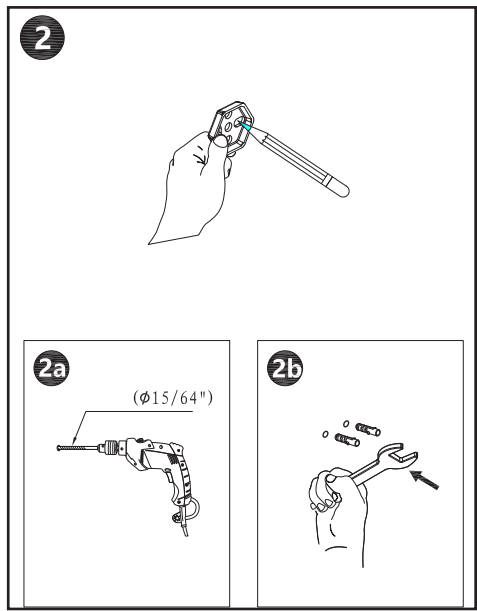
BLS-TRNG



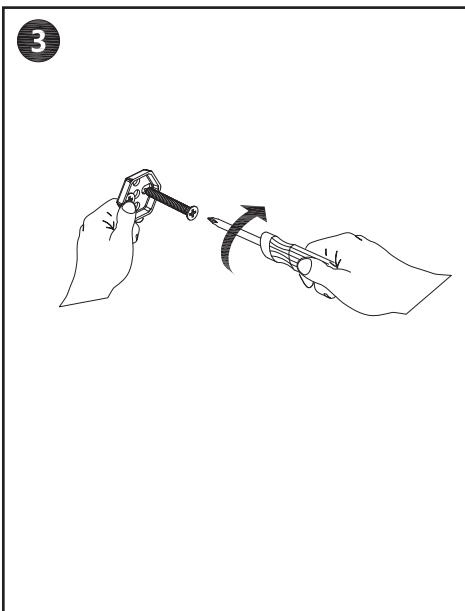
TOWEL RING



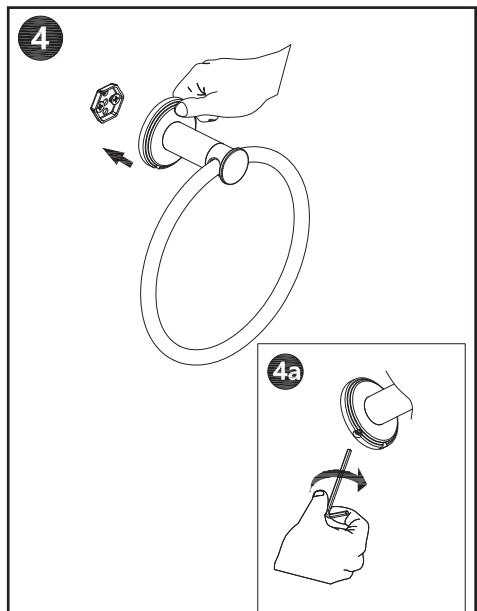
Plan where the towel ring will hang on the wall.



Secure the hardware into place.

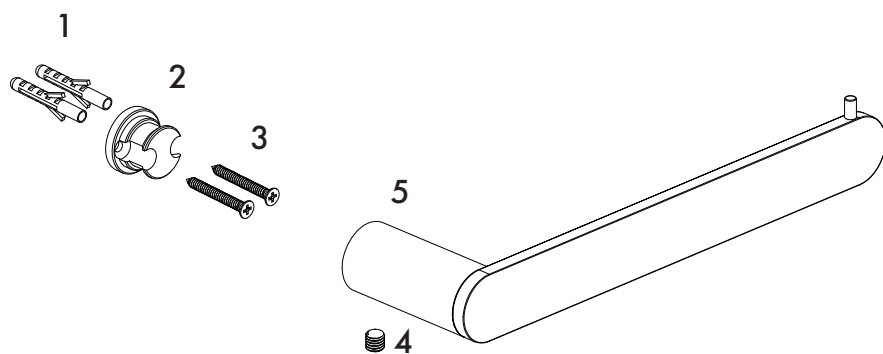


Secure the mounting plates into place.



Secure the towel ring into place with the hex key.

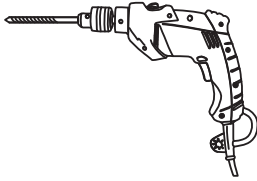
HAND TOWEL HOLDER



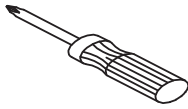
1. Wall anchor
2. Mounting plate
3. Screws
4. Set screw
5. Toilet paper holder

HAND TOWEL HOLDER

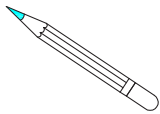
Tools:



Drill



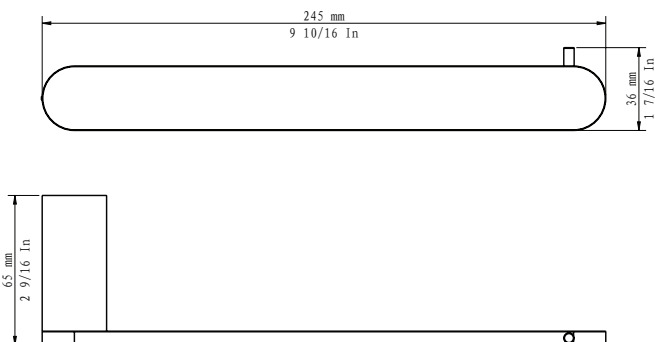
Phillips-head screwdriver



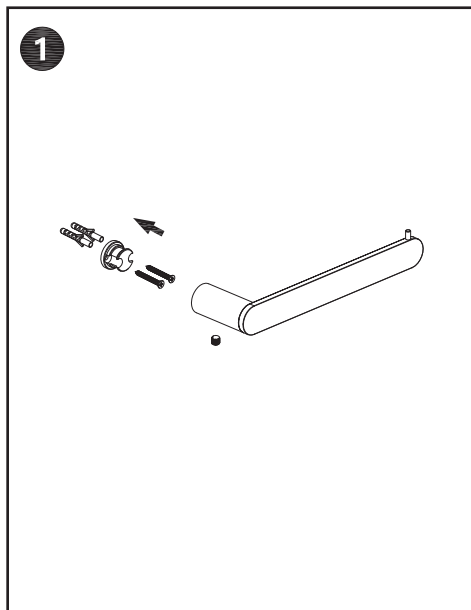
Pencil

HAND TOWEL HOLDER

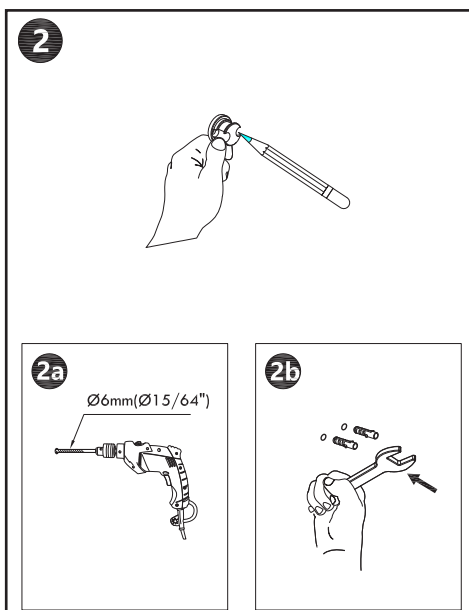
CBY-THD



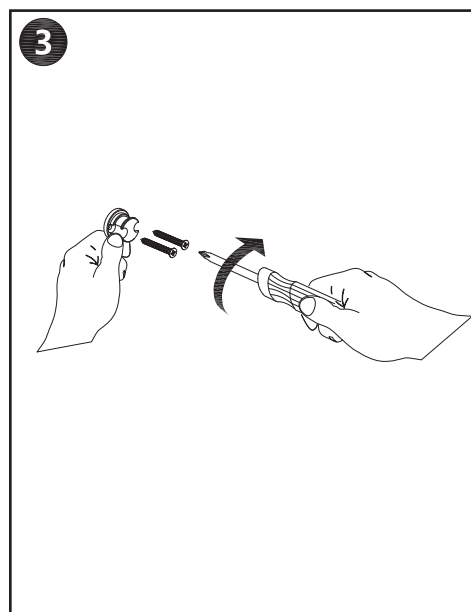
HAND TOWEL HOLDER



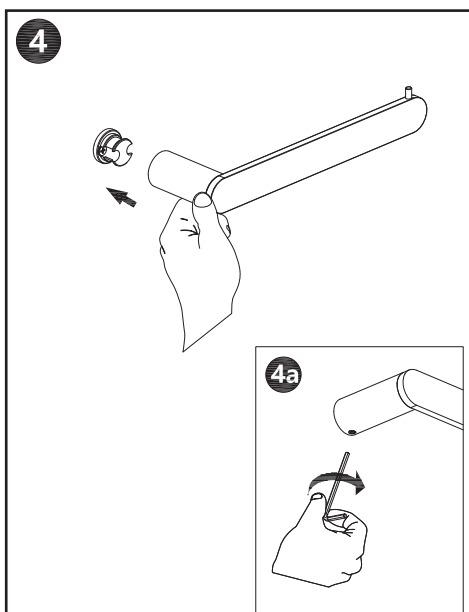
Plan where the hand towel holder will hang on the wall.



Use the drilling template and level to set the position.

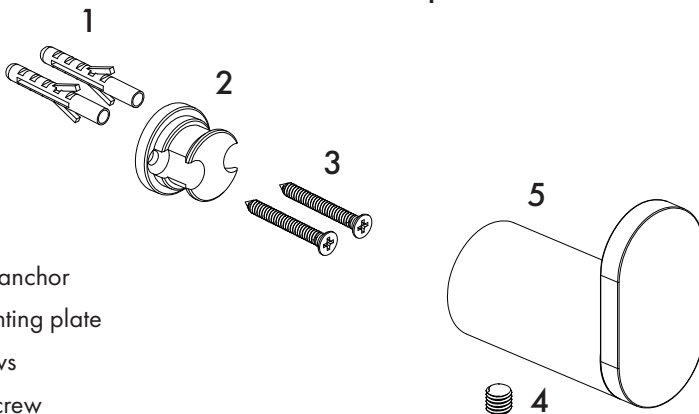
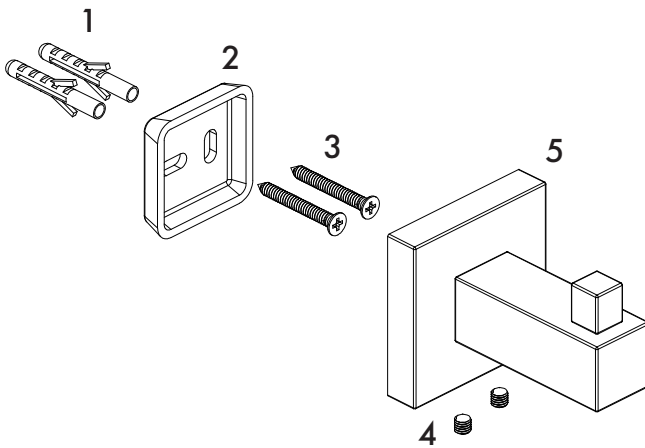
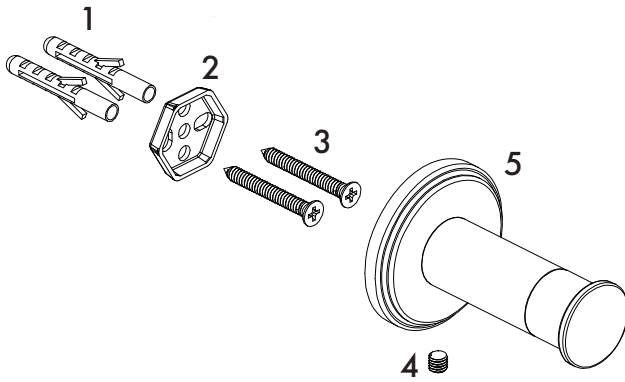


Secure the mounting plates into place.



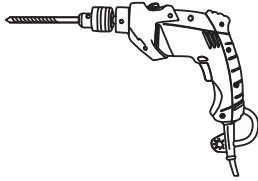
Secure the hand towel holder into place with the hex key.

ROBE HOOK

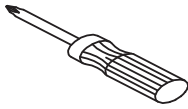


1. Wall anchor
2. Mounting plate
3. Screws
4. Set screw
5. Robe hook

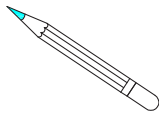
Tools:



Drill



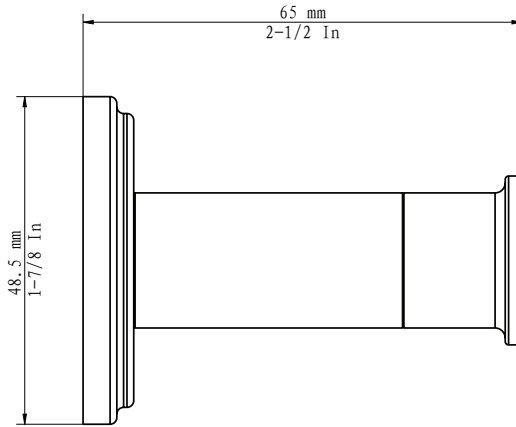
Phillips-head screwdriver



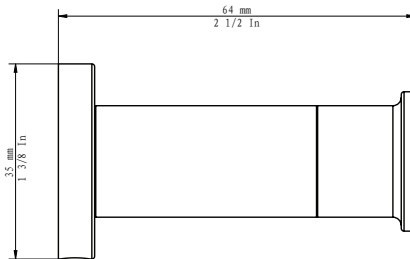
Pencil

ROBE HOOK

ELD-HK

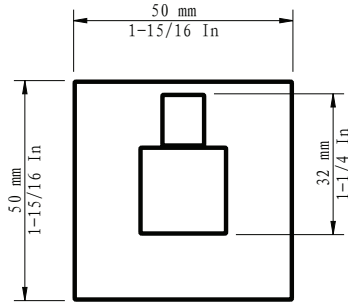


EMBY-HK

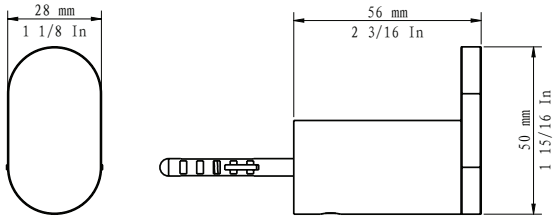


ROBE HOOK

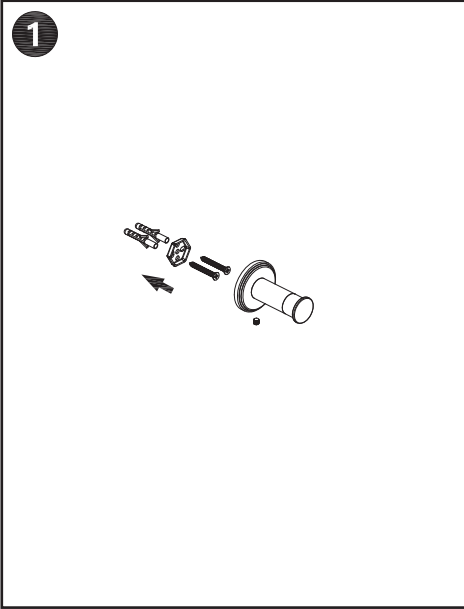
BLS-HK



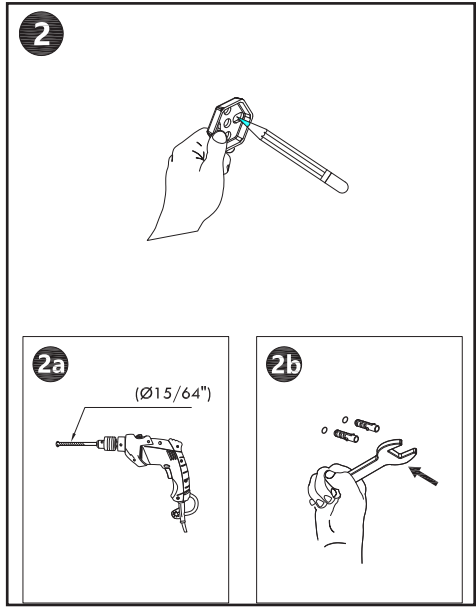
CBY-HK



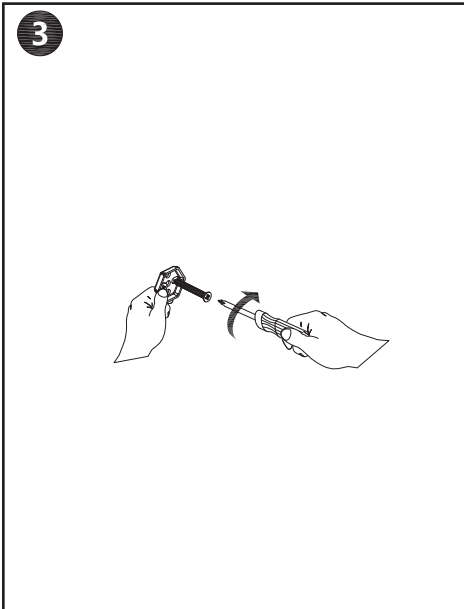
ROBE HOOK



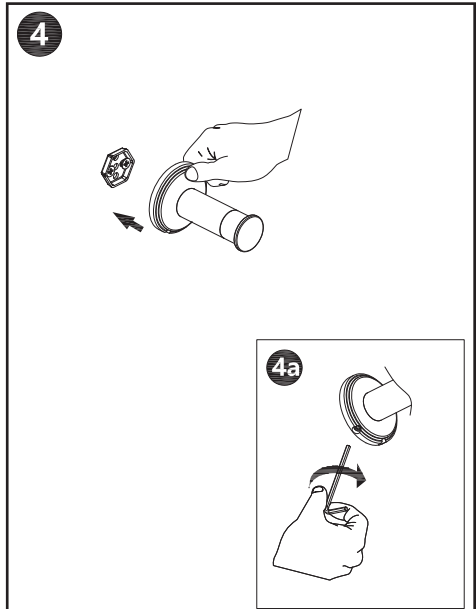
Plan where the robe hook will hang on the wall.



Use the drilling template and level to set the position.

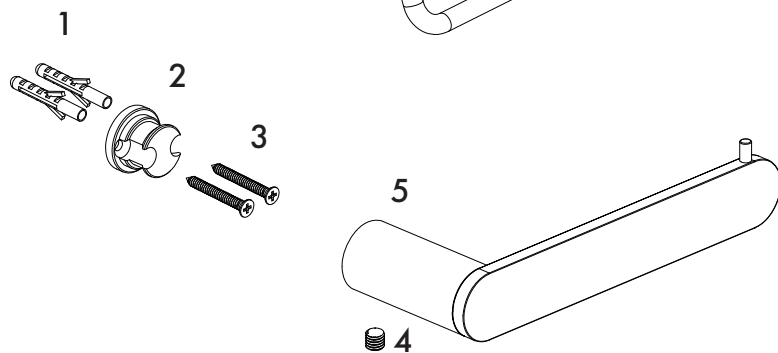
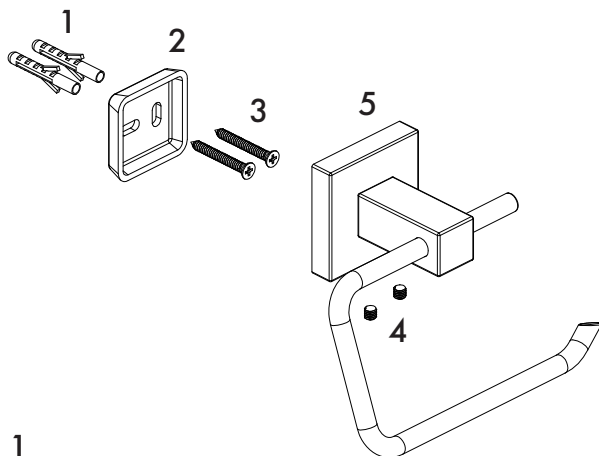
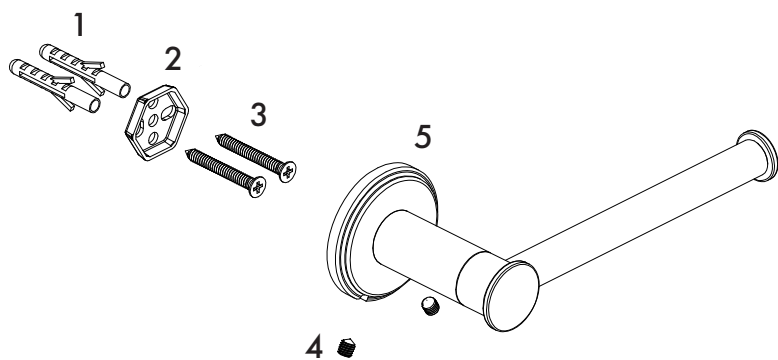


Secure the mounting plates into place.



Secure the robe hook into place with the hex key.

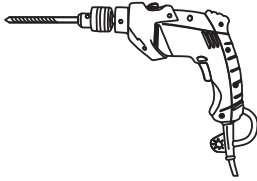
TOILET PAPER HOLDER



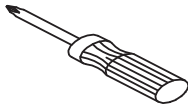
- 1. Wall anchor
- 2. Mounting plate
- 3. Screws
- 4. Set screw
- 5. Toilet paper holder

TOILET PAPER HOLDER

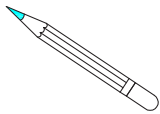
Tools:



Drill



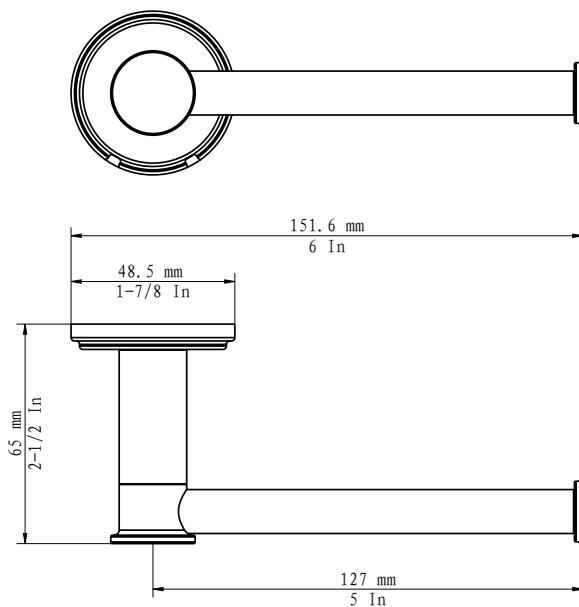
Phillips-head screwdriver



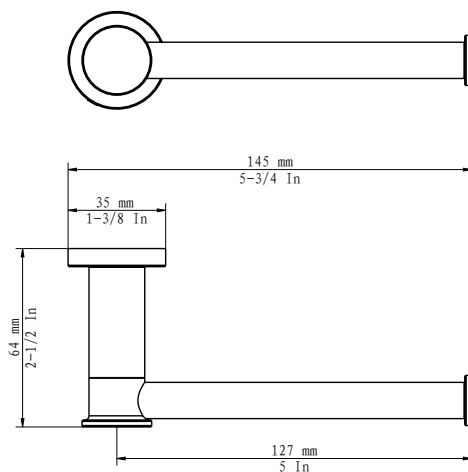
Pencil

TOILET PAPER HOLDER

ELD-TRD

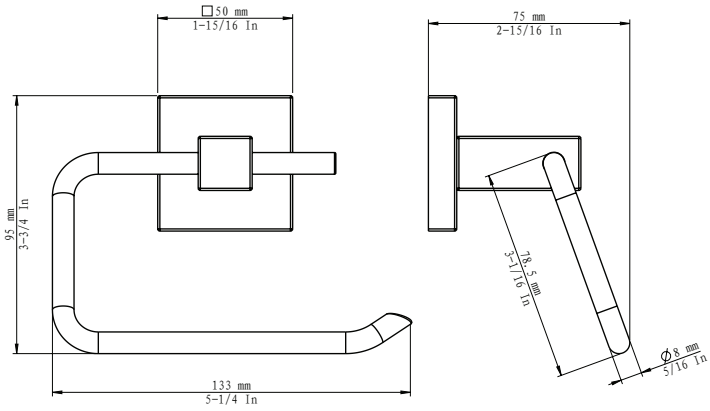


EMBY-TR

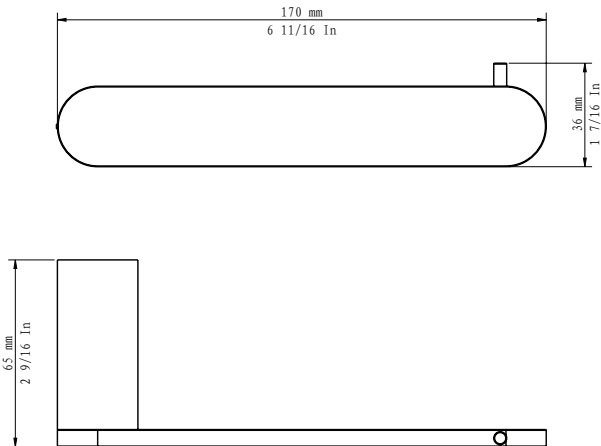


TOILET PAPER HOLDER

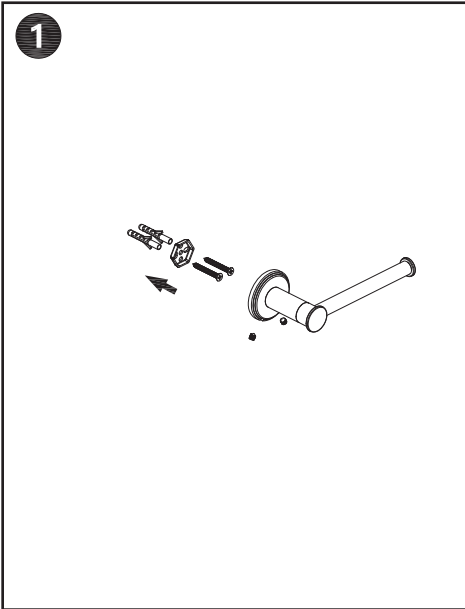
BLS-TR



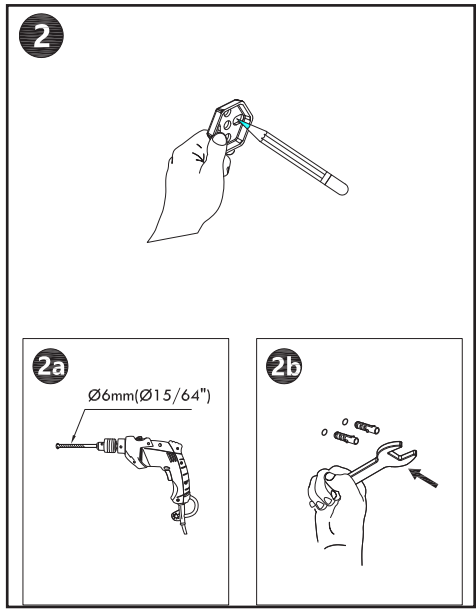
CBY-TRD



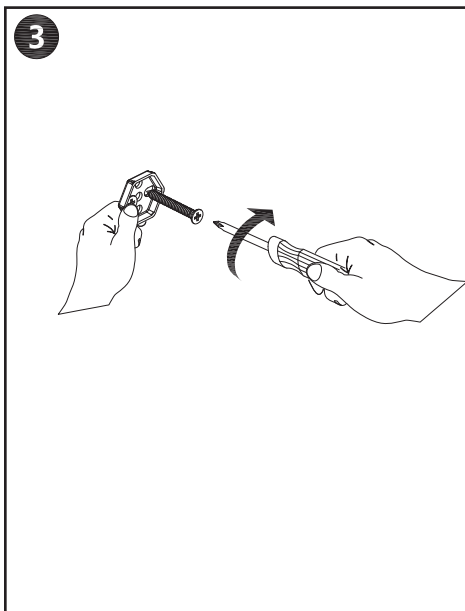
TOILET PAPER HOLDER



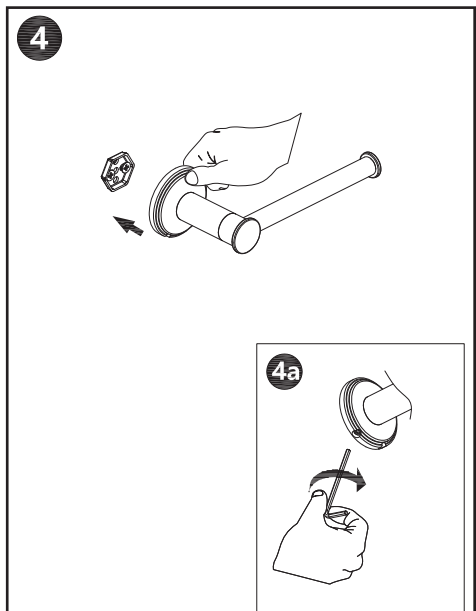
Plan where the toilet paper holder will hang on the wall.



Use the drilling template and level to set the position.



Secure the mounting plates into place.



Secure the toilet paper holder into place with the hex key.



ZLINE
KITCHEN AND BATH

Three Locations:

350 Parr Circle
Reno, NV 89512

916 Delaware Avenue
Marysville, OH 43040

427 Rowland Mill Road
Bruceston, TN 38317

www.zlinekitchen.com

1-614-777-5004