

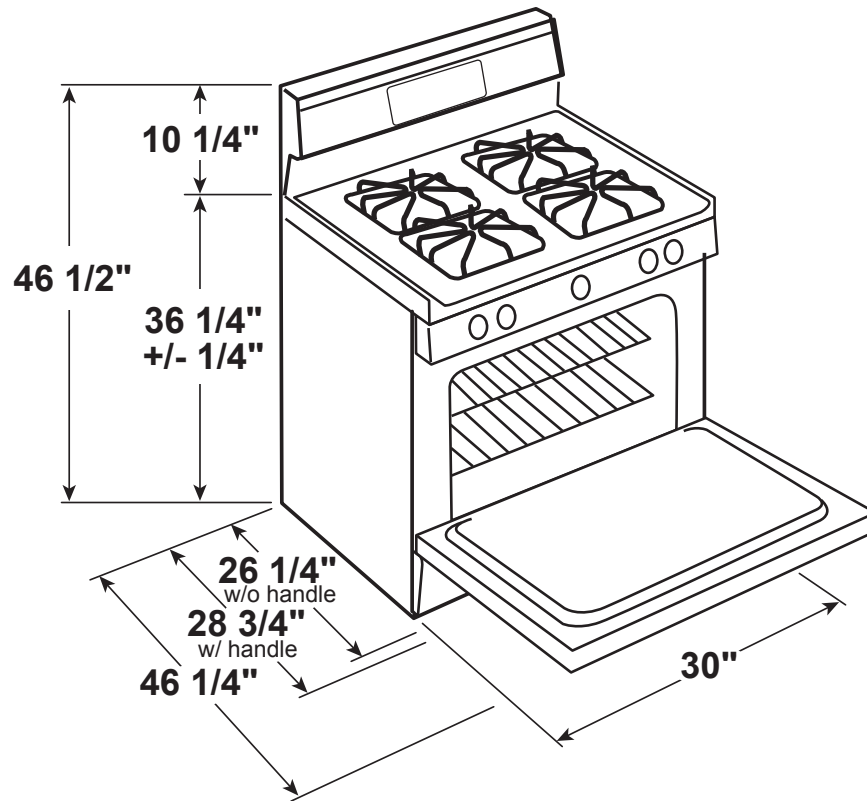
# RGBS330DR

## Hotpoint 30" Free-Standing Gas Range

### DIMENSIONS AND INSTALLATION INFORMATION

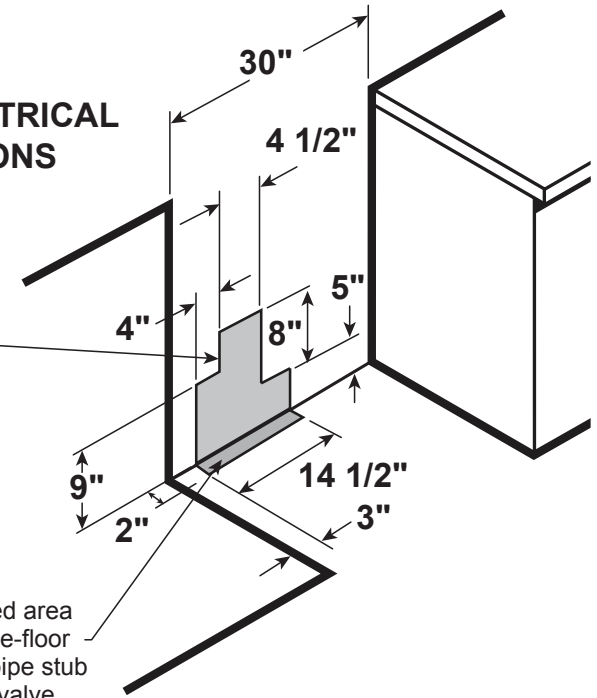
**ELECTRICAL RATING:** 120V, 60Hz, 15A

**INSTALLATION INFORMATION:** Before installing, consult installation instructions packed with product for current dimensional data.



### GAS PIPE AND ELECTRICAL OUTLET LOCATIONS

Recommended area for 240V outlet on rear wall and area for through-the-wall connection of pipe stub and shut-off valve.



**Hotpoint**®

For answers to your Hotpoint product questions, visit our website at [hotpoint.com](http://hotpoint.com) or call 800.626.2000.



All GE Appliances ranges are equipped with an Anti-Tip device. The installation of this device is an important, required step in the installation of the range.

Specification Revised 2/22

# RGBS330DR

## *Hotpoint 30" Free-Standing Gas Range*

### **FEATURES AND BENEFITS**

Front controls – Minimize need to reach

4.8 cu. ft. oven capacity – Enough room to cook an entire meal at once

Sealed cooktop burners – Contains spills and make cleaning quick and easy

Heavy-duty grates – Durable grates are easy to clean and can hold a wide variety of cookware on the stove

Broil option – A versatile heating element allows for more cooking options in the oven

Standard clean oven – Smooth surface makes cleaning by hand easier

Sabbath Mode

Model RGBS330DRBB – Black

Model RGBS330DRWW – White

