



**Color Variants**  
AL400792  
stainless steel  
Width 36" (90 cm)

**AL400792**  
**Retractable downdraft ventilation**  
**stainless steel**  
**Width 36" (90 cm)**  
**Air recirculation with 400 series**  
**AR410710 or AR413722 blowers. Air**  
**Extraction with AR 400 742, AR 403 722,**  
**or AR 401 742 blowers.**  
**Comes without blower**

Downdraft for combination with all Gaggenau cooktops, completely retractable when not in use. Can be combined perfectly with all Vario cooktops 400 series. Dimmable LED light for optimum illumination of the entire cooktop. Precision crafted 3mm stainless steel frame. For surface-mount installation with a visible edge or for flush installation. For operation with 400 series AR400742 inline, AR401742 remote or AR413722 and AR410710 recirculation blowers.

**Output**  
Noise level depends on the built-in situation.

**Features**  
3 electronically controlled power levels and 1 intensive mode.  
Interval ventilation, 6 min.  
Run-on function, 6 min.  
Grease filter saturation indicator.  
2 large-scale metal grease filters included, easy to remove and dishwasher-safe.  
Grease drip trays, easy to remove and dishwasher-safe.  
Neutral white surface LED light (3600 K), continuously dimmable.  
Lamp output 4 x LED 6medium power 5W stripe.  
Illuminance 200 lx.  
Flexible connection options based upon blower selection: at the bottom, at the front or at the back.  
In all the options, it is possible to have space for drawers in front of the retractable downdraft.

**Consumption data**  
Consumption data is referred to a configuration with the recirculation blower AR 410 710.

**Planning notes**  
Combinable with all cooktops Vario 400 series, 400 series and 200 series.  
Maximum cooktops width: 36" (90 cm).  
Depending on the type of installation, the corresponding accessories must be ordered separately.  
Air recirculation is not recommended in combination with Vario electric grill.  
Operation of Vario cooking appliances only possible without appliance cover.  
Max. output of cooktops 60,000 BTU.  
The retractable downdraft must have its own countertop cut-out and may not be placed directly against the cooktop(s).  
The bearing capacity and stability, in the case of thin countertops in particular, must be supported using suitable substructures. Take into account the appliance weight and additional loads.  
The remaining surface of the worktop (min. 50 mm) between the cut-outs must be reinforced with a support. It is recommended to use furniture support AA 409 401/431.  
Additional instructions for flush mounting:

**Product Features**  
**Operating Mode**  
Convertible: Ducted / Recirculating  
**Number of speed settings**  
**Delay Shut off modes**  
6  
**Silence level**  
**Required accessories**  
**Optional accessories**  
AA400510  
**Number of lights**  
4  
**Type of lamps used**  
LED  
**Total power of the lamps**  
20  
**Grease filter material**  
Washable stainless steel  
**Grease filter type**  
Multilayer cassette  
**Clean filter reminders**

**Consumption and connection features**  
2022-03-04  
Page 1

Flush installation is possible in countertops made of stone, synthetics or solid wood. Heat resistance and watertight sealing of the edges must be observed. For other materials, please consult with your countertop manufacturer.

Depending on the type of installation, ovens can be combined with the retractable downdraft. The electronic control unit for the retractable downdraft should be accessible and be secured to a panel of the cabinet that avoids any risk of flooding.

**Rating**  
Total rating: 65 W.  
100 - 120 V / 60 Hz.  
Total amps: 10 A.  
Connecting cable 60" with plug.

AL400792

Retractable downdraft ventilation  
stainless steel

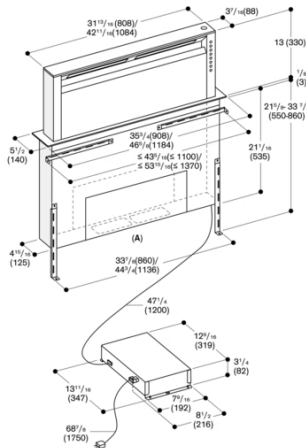
Width 36" (90 cm)

Air recirculation with 400 series  
AR410710 or AR413722 blowers. Air  
Extraction with AR 400 742, AR 403 722,  
or AR 401 742 blowers.

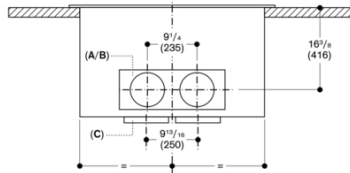
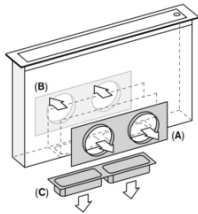
Comes without blower

2022-03-04

Page 2

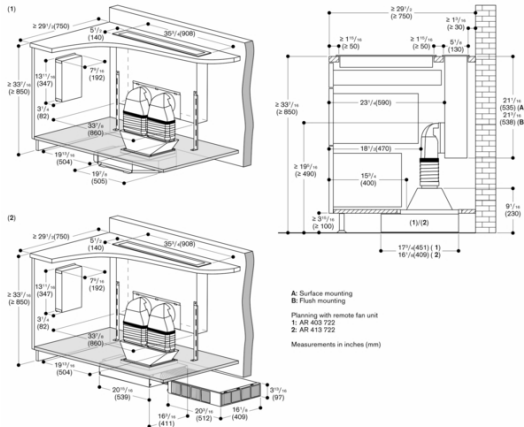


A: Flexible connection of the hood at the front, the back, or at the bottom  
Measurements in inches (mm)



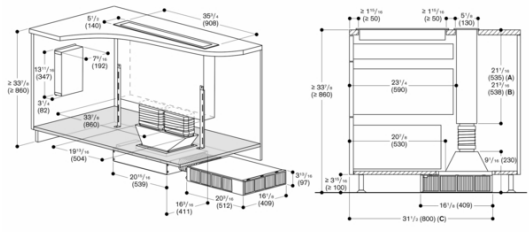
A: Connection at the front with AD 754 049  
B: Connection at the back with AD 754 049  
C: Connection at the bottom with AD 854 050

Measurements in inches (mm)



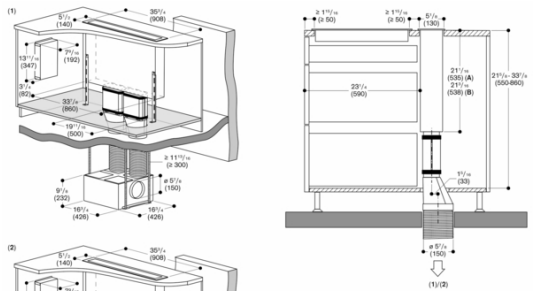
A: Surface mounting  
B: Flush mounting  
Flushing with remote fan unit  
1: AR 403 722  
2: AR 413 722

Measurements in inches (mm)



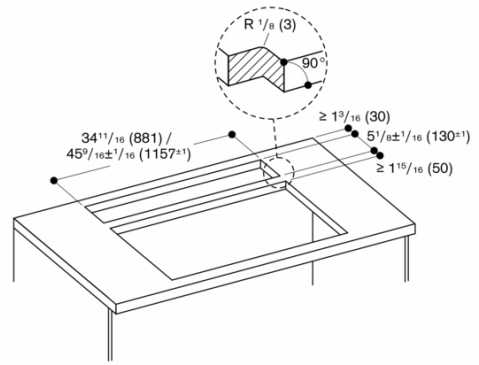
A: Surface mounting  
B: Flush mounting  
C: 29 1/2" (750 mm) with a worktop at min. height 36 1/2" (920 mm)

Measurements in inches (mm)



A: Surface mounting  
B: Flush mounting  
Extraction mode with remote fan unit  
1: AR 400 742  
2: AR 401 742

Measurements in inches (mm)



Measurements in inches (mm)

AL400792

Retractable downdraft ventilation

stainless steel

Width 36" (90 cm)

Air recirculation with 400 series

AR410710 or AR413722 blowers. Air

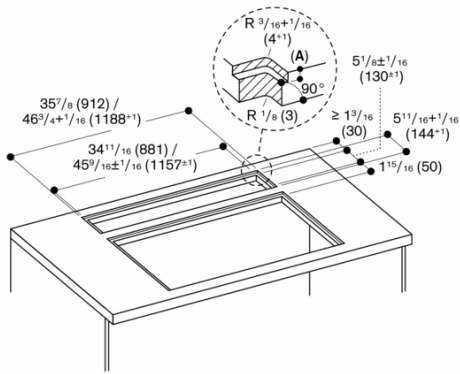
Extraction with AR 400 742, AR 403 722,

or AR 401 742 blowers.

Comes without blower

2022-03-04

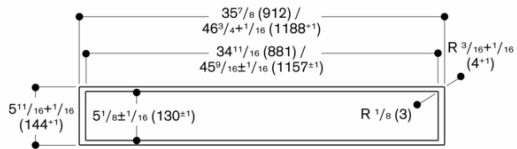
Page 3



A: 1/8" (3.5<sup>0.5</sup> mm)

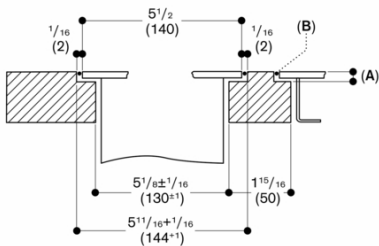
Measurements in inches (mm)

View from above



Measurements in inches (mm)

Cross-section

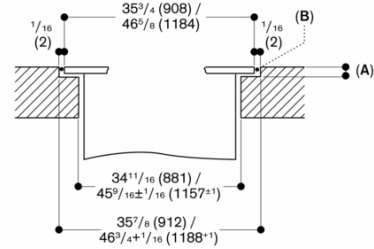


A: 1/8" (3.5<sup>0.5</sup> mm)

B: Fill with silicone

Measurements in inches (mm)

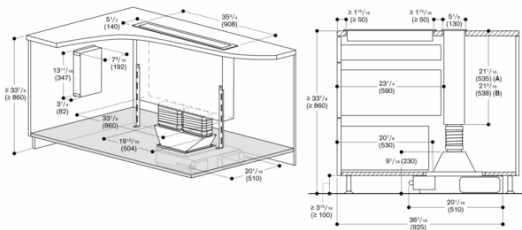
Longitudinal section



A: 1/8" (3.5<sup>0.5</sup> mm)

B: Fill with silicone

Measurements in inches (mm)



A: Surface mounting

B: Flush mounting

Measurements in inches (mm)