

Frigidaire Gallery



Install Trim Kit Required. Multiple sizes available.

Built-In Microwave

2.2 Cu. Ft. Built-In Microwave

GMBS3068AF, GMBS3068AD

Available Colors : Stainless Steel, Black Stainless Steel

Version : 01/22

Cooking Controls

| | |
|------------------------|------------|
| Cooking Power | 1100 Watts |
| Number of Power Levels | 10 |

Microwave Cooking

| | |
|----------------|-----|
| Auto Cook | Yes |
| Bacon | Yes |
| Beverage | Yes |
| Defrost | Yes |
| Melt / Soften | Yes |
| Popcorn | Yes |
| Potato | Yes |
| Reheat | Yes |
| Sensor Cooking | Yes |
| Sensor Reheat | Yes |
| Veggies | Yes |

Microwave Control Features

| | |
|--------------|-----------------|
| + 10 Seconds | Yes - One Touch |
| + 30 Seconds | Yes - One Touch |
| Quick Start | Yes |

Additional Settings

| | |
|----------------------------|--------------------|
| Child Lock | Yes |
| Demo On / Off | Yes |
| Language Options | English and French |
| Setting Turntable On / Off | No |
| Setting Weight Lb / Kg | Yes |
| Timer On / Off | Yes |
| Volume # of Settings | 4 (Includes Off) |

Internal Specifications

| | |
|-------------------------|-----------|
| Interior Color | White |
| Interior Light Quantity | 1 |
| Interior Light Type | LED |
| Interior Light Wattage | 1.2 Watts |

| | |
|--------------------|---------|
| Turntable Diameter | 16 1/2" |
| Turntable Material | Glass |

Dimensions and Volume

| | |
|---------------------------|-------------|
| Height | 13 5/8" |
| Width | 24 7/16" |
| Depth | 19 5/8" |
| Microwave Interior Height | 11 1/4" |
| Microwave Interior Width | 17 7/8" |
| Microwave Interior Depth | 19 1/8" |
| Microwave Capacity | 2.2 Cu. Ft. |

Electrical Specifications

| | |
|-------------------|-------------|
| Voltage Rating | 120 V |
| Watts @ 120 Volts | 1,100 Watts |

Installation

| | |
|----------------------------------|-----------|
| Power Supply Connection Location | Right Top |
|----------------------------------|-----------|

General Specifications

| | |
|------------------|--------|
| Prop 65 Label | Yes |
| Warranty - Labor | 1 Year |
| Warranty - Parts | 1 Year |

Safety Certifications and Approvals

| | |
|------------|-----|
| UL Listed | Yes |
| cUL Listed | Yes |

Note: For planning purposes only. Always consult local and national electric, gas and plumbing codes.

Refer to Product Installation Guide for detailed installation instructions on the web at frigidaire.com / frigidaire.ca

Specifications subject to change. Accessories information available on the web at frigidaire.com / frigidaire.ca

USA • 10200 David Taylor Drive • Charlotte, NC 28262 • 1-800-FRIGIDAIRE • frigidaire.com

CANADA • 5855 Terry Fox Way • Mississauga, ON L5V 3E4 • 1-800-265-8352 • frigidaire.ca

Frigidaire Gallery

2.2 Cu. Ft. Built-In Microwave

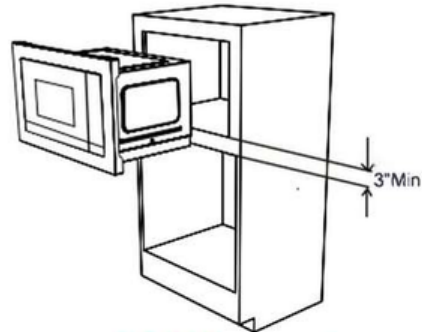
GMBS3068AF, GMBS3068AD

Version : 01/22

CABINET OR WALL CUTOUT

Cutout Dimensions

| | | |
|------------|---------------------------------|-----------|
| Height (A) | | |
| Minimum | 16" ³ / ₄ | (42.5 cm) |
| Maximum | 17" | (43.2 cm) |
| Width (B) | | |
| Minimum | 24" ³ / ₄ | (62.9 cm) |
| Maximum | 25" | (63.5 cm) |
| Depth (C) | | |
| Minimum | 20" | (50.8 cm) |



30" TRIM KIT



30" STAINLESS TRIMKIT
(GMTK3068AF)

27" TRIM KIT



27" STAINLESS TRIMKIT
(GMTK2768AF)

*MICROWAVE (GMBS3068AF) PICTURED ABOVE PAIRED WITH STAINLESS STEEL TRIM KIT (GMTK3068AF / GMTK2768AF)

*** Trim Kit Sold Separately**

30" TRIM KIT



30" DARK STAINLESS TRIMKIT
(GMTK3068AD)

27" TRIM KIT



27" DARK STAINLESS TRIMKIT
(GMTK2768AD)

*MICROWAVE (GMBS3068AD) PICTURED ABOVE PAIRED WITH BLACK STAINLESS STEEL TRIM KIT (GMTK3068AD / GMTK2768AD)

*** Trim Kit Sold Separately**

| Model Number | Color | Description |
|--------------|----------|----------------|
| GMBS3068AF | SS | Microwave |
| GMBS3068AD | Black SS | Microwave |
| GMTK3068AF | SS | * 30" trim kit |
| GMTK2768AF | SS | * 27" trim kit |
| GMTK3068AD | Black SS | * 30" trim kit |
| GMTK2768AD | Black SS | * 27" trim kit |

*** Trim Kit Sold Separately**

| | Trim Kit Overall Dimensions | |
|--------|-----------------------------|------------------|
| | 27" | 30" |
| Height | 18" (460.8 mm) | 18" (460.8 mm) |
| Width | 27" (685.8 mm) | 30" (759 mm) |
| Depth | 1 3/5" (40.9 mm) | 1 3/5" (40.9 mm) |

Note: For planning purposes only. Always consult local and national electric, gas and plumbing codes.

Refer to Product Installation Guide for detailed installation instructions on the web at frigidaire.com / frigidaire.ca

Specifications subject to change. Accessories information available on the web at frigidaire.com / frigidaire.ca

USA • 10200 David Taylor Drive • Charlotte, NC 28262 • 1-800-FRIGIDAIRE • frigidaire.com

CANADA • 5855 Terry Fox Way • Mississauga, ON L5V 3E4 • 1-800-265-8352 • frigidaire.ca