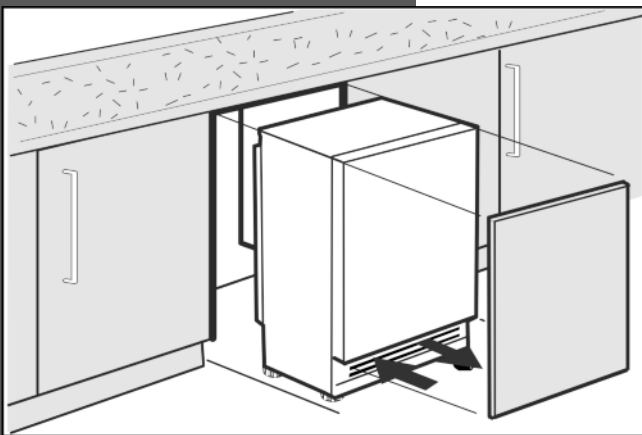


LIEBHERR

Installation Instructions

Refrigerators and freezers for
integrated use, door-on-door



UR 500 UF 501 UB 501
060418 7086652 - 00

General safety information

Contents

1	General safety information.....	2
2	Transporting the appliance.....	2
3	Setting up the device.....	2
3	Appliance dimensions.....	4
5	Recess dimensions.....	4
6	Cabinet door.....	4
7	Reversing the door.....	5
8	Installing the appliance in the recess.....	8
9	Installation.....	8
9.1	Assembling the appliance.....	9
9.2	Installing the unit door.....	11
10.2	Disposal of packaging.....	13
11	Connecting the appliance.....	13

Congratulations on the purchase of your new appliance. With this purchase, you have chosen all the advantages of the latest refrigeration technology, guaranteeing you a high-quality appliance with a long life span and high operating safety.

The equipment of your appliance gives you the highest level of day-to-day ease of operation.

Together we are making an active contribution to the conservation of our environment by purchasing this appliance which is manufactured in an environmentally friendly process with the use of recyclable materials.

We hope you enjoy your new appliance.

The manufacturer is constantly working to improve all models. Therefore please understand that we reserve the right to make design, equipment and technical modifications.

To get to know all the benefits of your new appliance, please read the information contained in these instructions carefully.




The instructions apply to several models, so there may be differences. Sections which only apply to certain appliances are indicated with an asterisk (*).

Instructions for action are marked with a ►, the results of action are marked with a ▷.

1 General safety information

- Read and follow these instructions. They contain safety advice which is important for safe and problem-free installation and operation. Always read and follow the safety advice.
- It is important that the guidelines and instructions in this manual are followed so that the appliance is correctly installed and operates properly. Read and understand all information in this manual before the appliance is installed

- Risk of asphyxiation and crushing: Remove doors and shelves from old appliances to prevent them from becoming a potential hazard to children at play.
- Only install, connect and dispose of the appliance in accordance with the instructions. Pay particular attention to “niche dimensions” and “ventilation and fume extraction in kitchen units”.
- The socket must be easily accessible so that the appliance can be disconnected from the mains quickly in an emergency. It must not be behind the back of the appliance.

	DANGER	indicates a hazardous situation, which if not avoided, will result in death or serious injury.
	WARNING	indicates a hazardous situation, which if not avoided, could result in death or serious injury.
	CAUTION	indicates a hazardous situation, which if not avoided, will result in minor or moderate injury.
	NOTICE	indicates a hazardous situation, which if not avoided, could result in damage to property.
	Note	indicates useful advice and tips.

2 Transporting the appliance

CAUTION

Risk of injury or damage if incorrectly transported.

- Transport the appliance in its packaging.
- Transport the appliance upright.
- Do not move the appliance on your own.

3 Setting up the device

WARNING

Risk of fire due to short circuit.

If the power cable or plug of the appliance or another appliance and the back of the appliance touch each other the power cable or plug will be damaged by the vibrations of the appliance which could lead to a short circuit.

- Install the appliance so that it does not touch any plugs or power cables.
- Do not connect the appliance or other appliances to the sockets on the back of the appliance.



WARNING

Risk of fire due to moisture!

If live parts or the power cord get wet, this can cause a short circuit.

- ▶ The appliance is designed for use in enclosed spaces. Do not operate the appliance in open space or in damp areas or where there is spray.
- ▶ Only operate the appliance after it has been installed.



WARNING

Risk of fire due to refrigerant.

The refrigerant contained within the appliance, R 600a, is environmentally friendly, but flammable. Leaking refrigerant can ignite.

- ▶ Do not damage the pipes of the refrigerant circuit.



WARNING

Danger of fire and damage!

- ▶ Do not place devices that give off heat, e.g. microwaves, toasters, etc. on the appliance.

NOTICE

Risk of damage caused by condensation

Installing the appliance next to any other refrigerator or freezer can cause condensation or damage to the Liebherr appliance.

- ▶ Do not install this appliance next to any other refrigerator or freezer except another Liebherr model. Liebherr models are designed to allow side-by-side installation. They are equipped with a heating system to eliminate condensation when refrigerators or freezers are installed side-by-side.

NOTICE

Risk of damage for the finished floor surface!

- ▶ Protect the finished floor surface before you uncrate the unit.



WARNING

Danger of damage from overheating. May restrict operation.

- ▶ Keep ventilation openings, in the appliance enclosure or in the built-in structure, clear of obstruction.



WARNING

Danger of tilting.

- ▶ To avoid a hazard due to instability of the appliance, it must be fixed in accordance with the instructions.

- If possible, have a professional install the appliance in your kitchen cabinet unit.
- If the appliance is damaged check with the supplier immediately before connecting it.

- The floor of the installation site must be horizontal and level.
- Do not install the appliance in direct sunlight or next to an oven, heater or similar heat source.
- Do not install the appliance on your own. It is better to do this with two or more people.
- The more R 600a refrigerant is in the appliance, the larger the room must be where the device is located. In the case of a leak, a flammable gas-air mixture may be created in a room that is too small. In accordance with standard EN 378, for every 0.39 oz (11 g) R 600a coolant, the installation space must be at least 35.5 ft³ (1 m³). The amount of refrigerant in your appliance is indicated on the identification plate inside the appliance.
- If the appliance is installed in a very damp environment condensate water may form on the outside of the appliance. Always ensure good ventilation.
- The load-bearing capacity of the floor must be sufficient for the weight of the appliance plus about 1200 pounds (544 kg) of food weight.
- The electrical socket must be assessed precisely to ensure the correct position and fuse.
- Do not restrict ventilation. Sufficient ventilation is required for the appliance to operate correctly. The ventilation grid fitted at the factory guarantees an effective ventilation gap on the appliance of 31 in.² (200 cm²). If you replace the ventilation grid with a fascia, this must have at least the same size or larger ventilation gap as the manufacturer's ventilation grid.
- ▶ Note down the type (model, number), appliance name, appliance or serial number, date of purchase and manufacturer's address in the place provided for this in the Use & Care Manual.
- ▶ Remove all materials that could prevent it from being installed properly or prevent proper ventilation from the back or the side panels of the appliance.

After installation:

- ▶ Remove protective films, adhesive tapes and transport safety devices, etc.

Note

- ▶ Clean the appliance (**see operating instructions, "Cleaning the appliance" section**).

Appliance dimensions

3 Appliance dimensions

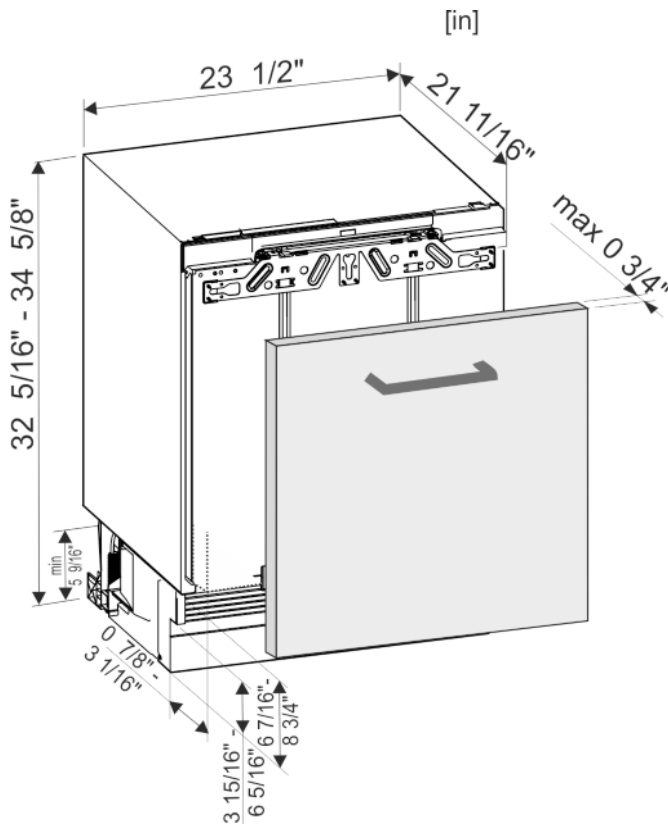


Fig. 1

5 Recess dimensions

This is an under-worktop appliance and is installed below the worktop. The kitchen cabinet surrounding the appliance must be designed exactly in accordance with the specified dimensions and must allow sufficient air circulation to ensure correct operation of the appliance.

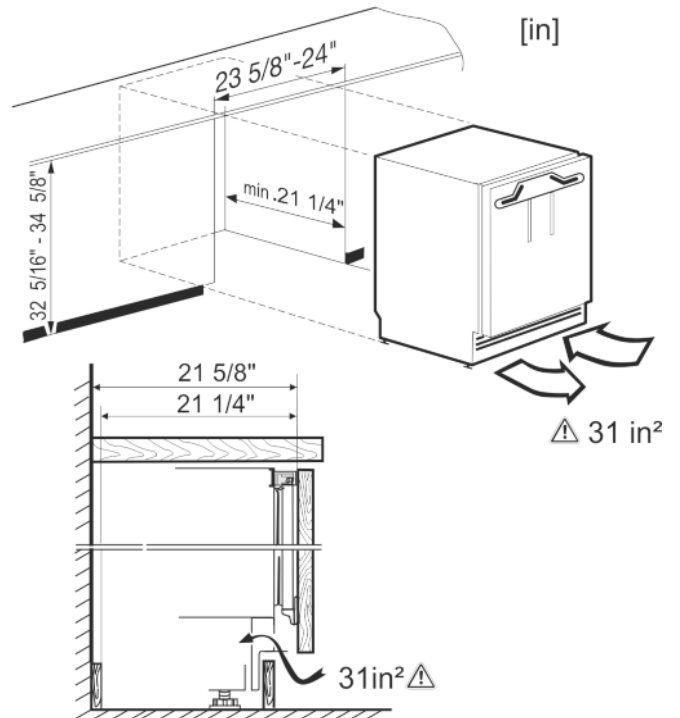


Fig. 2

The declared energy consumption was determined with a kitchen cabinet depth of 560 mm. The appliance is fully functional with a kitchen cabinet depth of 550 mm but will have a slightly increased level of energy consumption.

- ▶ Check the wall thickness of adjacent cabinets: It must be at least 5/8 in. (16 mm).
- ▶ Align the cabinets with a spirit level and a try square. If necessary level them by putting something underneath them.
- ▶ Ensure that the floor and the side panels of the cabinet are at right angles to each other.

6 Cabinet door

- A door is required for the kitchen cabinet.
- The door must be at least 5/8 in. (16 mm) and no more than 3/4 in. (19 mm) thick.
- There must be a gap of at least 1/8 in. (3 mm) between the door and the cupboard door above it (if there is one).
- The width of the cabinet door depends on the style of the kitchen and the size of the gap between the door panels of the cupboard. Normally a vertical gap of 1/8 in. (3 mm) should be left between the cabinet doors.
- If there are other cabinets the top edge of the cabinet door should be at the same height as the doors on the adjacent cabinets.
- The cabinet door must be assembled flat and free from tension.

Reversing the door

NOTICE

An excessively heavy unit door can cause potential damage!

If the unit door is too heavy, we cannot rule out damage to the hinges, which may compromise the use of the unit.

- ▶ Before installing the unit door, ensure the door does not exceed the permissible weight.

Appliance type	Maximum weight of unit door
UR 500 / UF 501 / UB 501	22 lbs (10 kg)

7 Reversing the door



WARNING

Risk of bodily injury due to the door falling off.

If the fasteners are not installed with the proper torque, the door may fall off. In addition, the door may not close, thus impairing the cooling performance of the appliance.

- ▶ Tightly secure the hinges along ball stud of the soft stop mechanism by applying a torque of 3 lb-ft (4 Nm).
- ▶ Tighten the soft stop mechanism retainer firmly with 2.5 lb-ft (3 Nm).
- ▶ Check all screws and retighten if necessary.

Note

The door stop can only be changed if there is sufficient space above to remove the hinge fixing bracket and fit it on the opposite side again. This is not normally the case when installing in a recess.

- ▶ Change the door stop before the appliance is installed in the recess.

	There is the risk of injury when doing this. Obey the safety instructions.
	The instructions apply to several models. Only perform this step if it applies to your appliance.
	Select one of the alternatives shown.
	Only undo the screw. Don't take it out.
	Check the screws and if necessary tighten them.

Required tool:

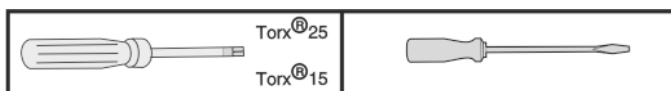


Fig. 3

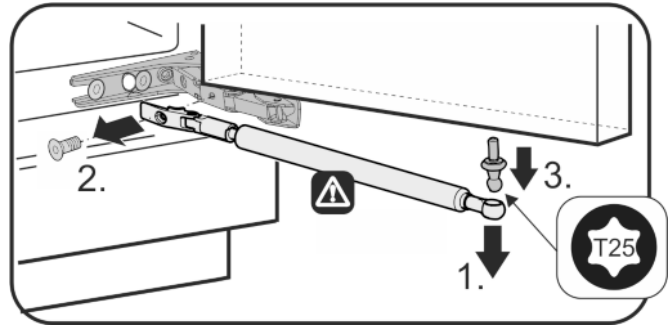


Fig. 4



CAUTION

Risk of injury if soft stop contracts!

- ▶ Carefully remove soft stop damper.

- ▶ Removing the soft stop damper: Remove the soft stop damper from the ball stud (1). Unscrew the retainer (2). Remove the ball stud with a screwdriver (3).

Reversing the door

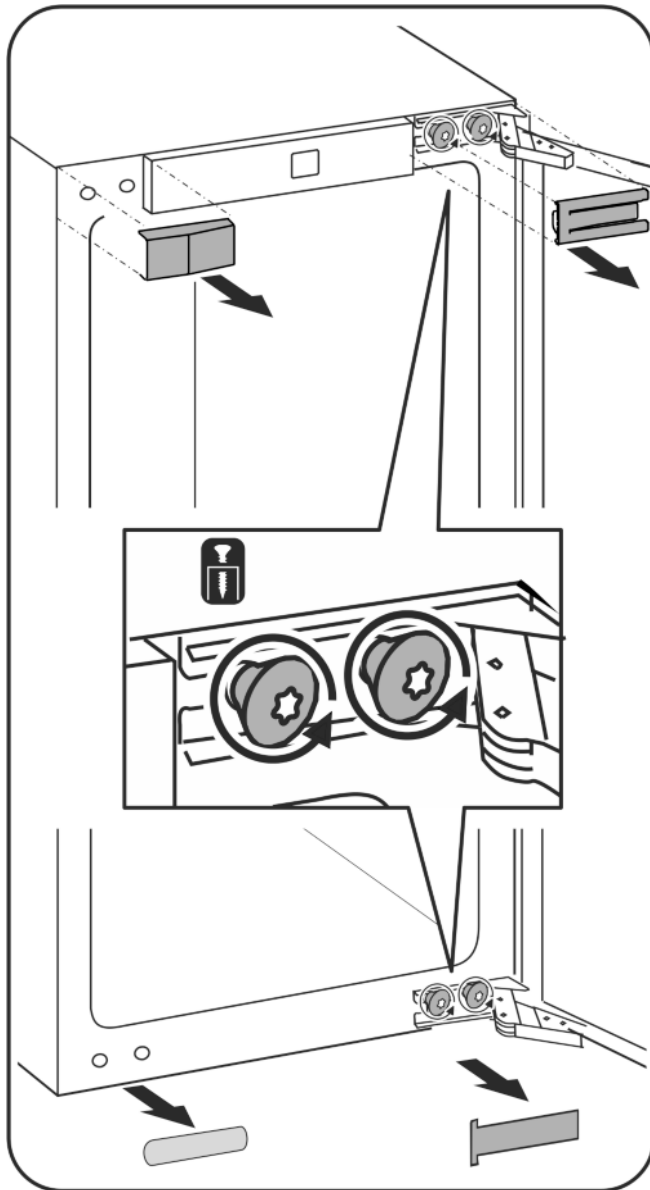


Fig. 5

- ▶ Remove covers.
- ▶ Undo the screws on the hinges but do not remove them.
- ▶ Unscrew the screws only when the door is removed with the hinges.

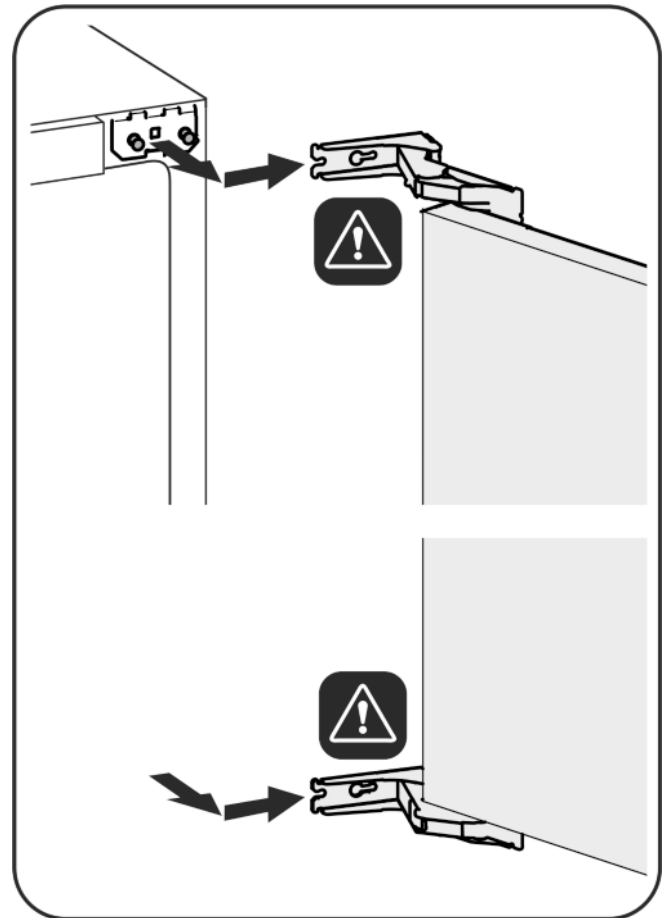


Fig. 6



CAUTION

Hinges are spring-loaded and can cause pinching injuries!

- ▶ Leave hinges open.
- ▶ Removing the door: Push the door forward and then out, unhook it and put it to one side.

Reversing the door

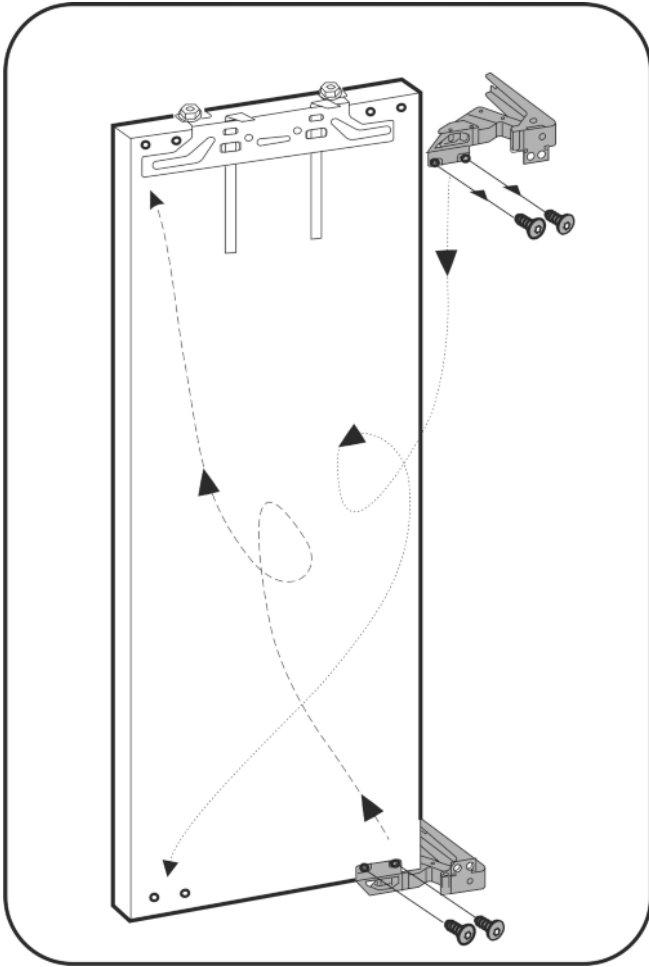


Fig. 7

- Swap the hinges.

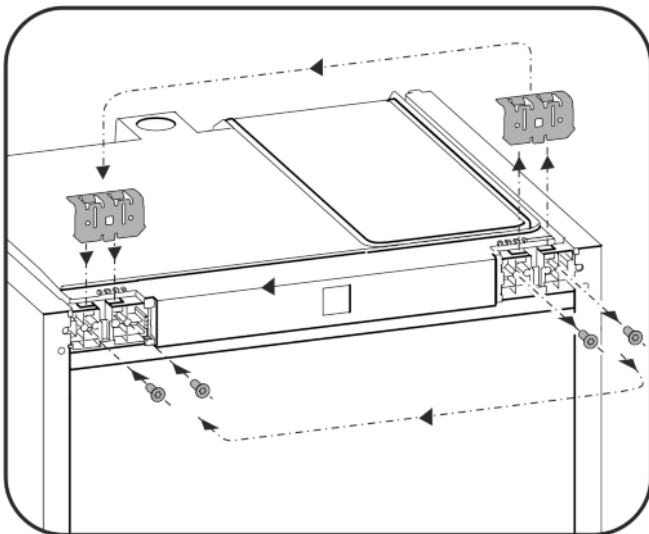


Fig. 8

- Swap the fixing bracket to the opposite side.

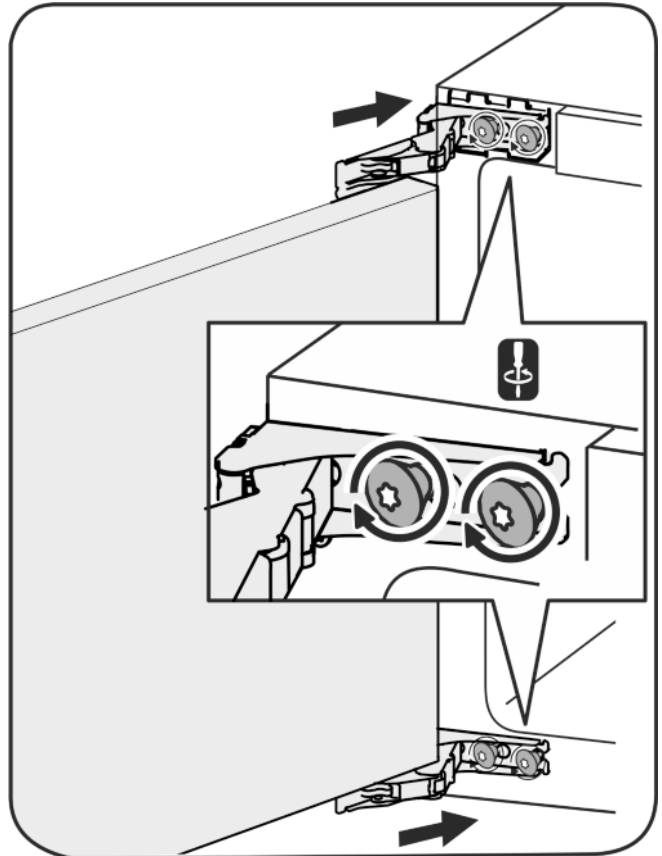


Fig. 9

- Fitting the door again: Reattach the door to the hinges and tighten the screws.

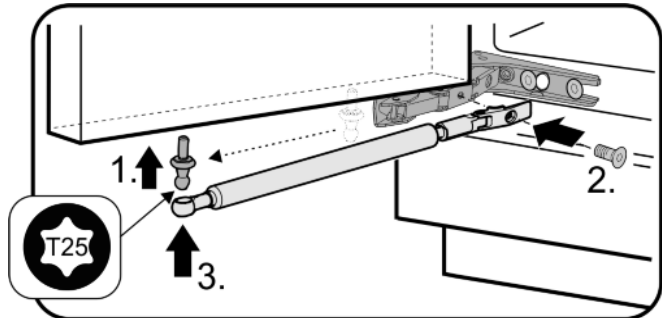


Fig. 10

- Re-attaching the soft stop mechanism: Screw in the ball studs (1), tighten the retainer (2) and attach the soft stop dampers into the ball studs.

Installing the appliance in the recess

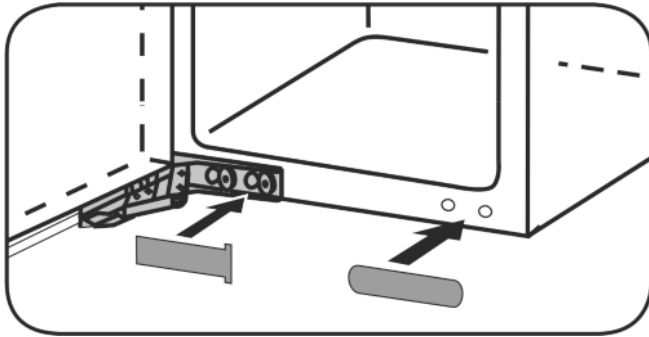


Fig. 11

- ▶ Check all screws and retighten if necessary.
- ▶ Re-fit the covers.

8 Installing the appliance in the recess



WARNING

Risk of fire due to short circuit!

- ▶ When inserting the appliance into the recess do not squash, jam or damage the power cable.
- ▶ Do not operate the appliance with a faulty power cable.

NOTICE

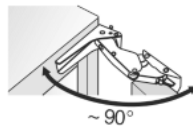
Risk of damage to the hinges!

The hinges could be damaged if the appliance gets caught on the door when it is being moved.

- ▶ Always hold onto the body when relocating and moving the appliance.

The following accessories are available from Customer Services for installing the appliance in a recess:

Set to restrict the door opening angle to 90°



There is the risk of injury when doing this! Obey the safety instructions!

- ▶ Observe the explanation of symbols during installation.

9 Installation

All fasteners are supplied with the appliance.

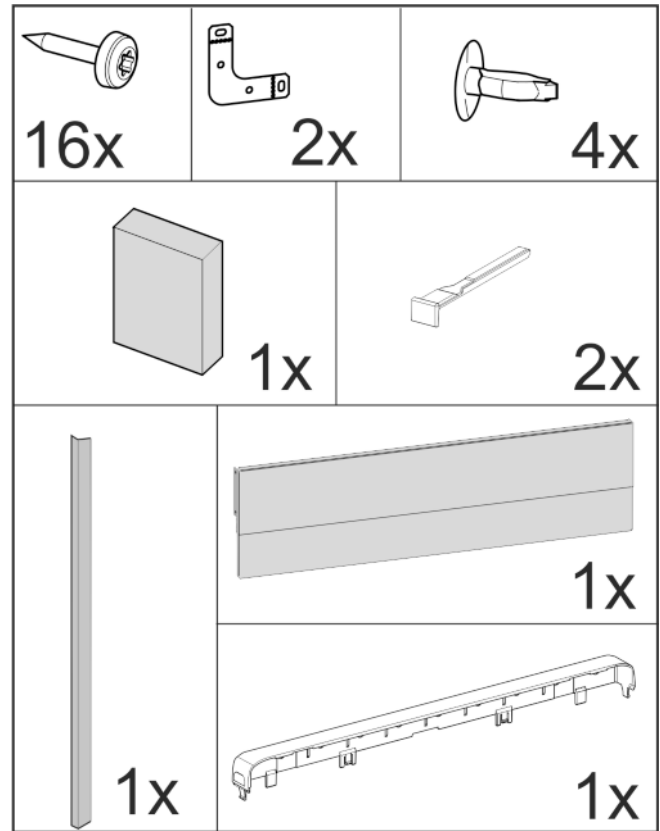


Fig. 12

Make sure you have the following tools on hand:

- Cordless screwdriver Torx® 15, 25
- Hex wrench 13
- Torx® 15 screwdriver
- Slot screwdriver 6
- Allen key 8
- Tape measure
- Pencil
- String
- Spirit level



WARNING

Risk of fire due to short circuit!

- ▶ When inserting the appliance into the recess do not squash, jam or damage the power cable.
- ▶ Do not operate the appliance with a faulty power cable.

NOTICE

Risk of damage caused by water condensate!

- ▶ For Side-by-Side installation, freezer and refrigerator side by side, always install the freezer on the right side of the refrigerator (seen from the front). No condensate forms between the appliances thanks to the side wall heating system foamed in on the left.

Make sure the electrical sockets can be accessed.

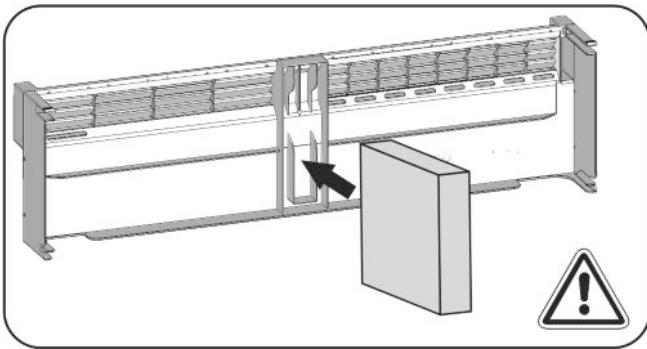


Fig. 13

Fix the **foam element** centrally in the appliance plinth trim.

The foam element is used to separate the incoming and outgoing air currents and permits sufficient ventilation.

Side fastening

- Installation below hard worktops such as granite.
- With the adjusting feet completely screwed out, the appliance is lower than the counter top.
- Requirement: Cabinet side panel for the screw connection.

Top fastening

- When the adjusting feet are screwed out completely, the appliance sits slightly tensioned below the worktop.
- No granite top.

9.1 Assembling the appliance

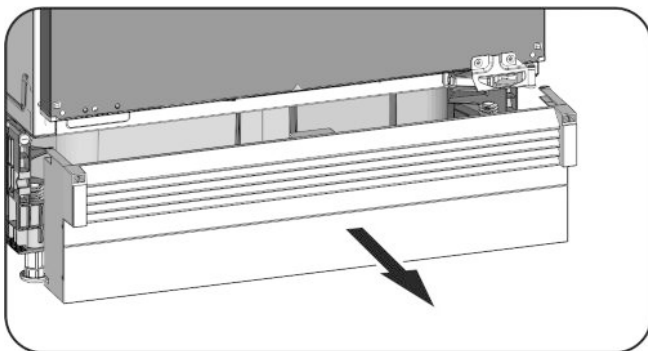


Fig. 14

- ▶ If the appliance plinth trim is already installed, remove it from the front.
- ▶ Remove the mains cable from the back of the appliance. Also remove the cable holder, otherwise there will be vibration noise!
- ▶ Position the mains cable using a piece of string so that the appliance can easily be connected to the electricity supply after it has been built-in



Fig. 15

NOTICE

Risk of damage to delicate floors!

- ▶ Place a strip of cardboard under the height-adjustable feet, approx. 4 in.x24 in. (10 cm x 60 cm), one at either side. Cut the strips out of the packaging. If the recess heights are smaller than (826 mm) cut the strips out of a firm but thin material.
- ▶ After the appliance has been slid in, remove the strips.

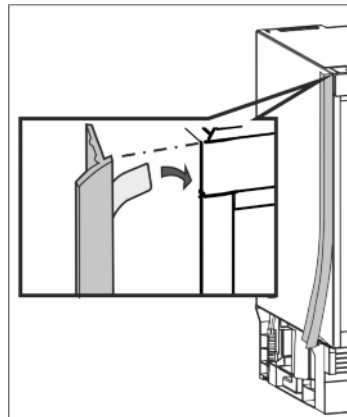


Fig. 16

With a 23-5/8 " (600 mm) wide recess: Do not use strips.

With a 24-1/32 " (610 mm) wide recess: Place the strips on the side.

- The appliance is to the right of the adjacent cabinet: Fit the strip to the left.
- The appliance is to the left of the adjacent cabinet: Fit the strip to the right.
- ▶ Place the strip under the top edge and stick it to the side panel. The strip must not be shortened.

Top fastening

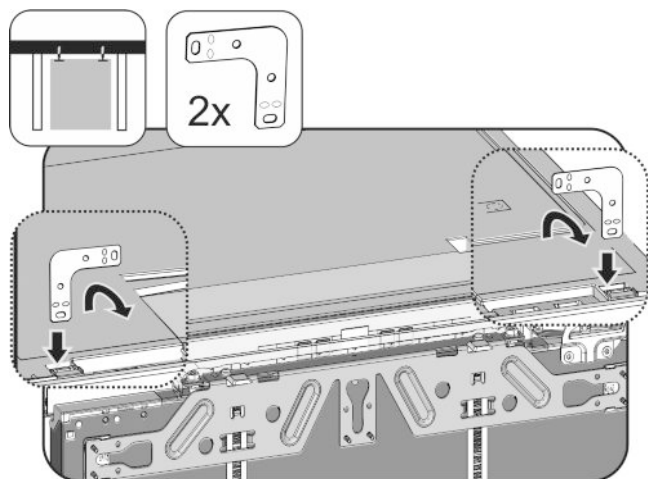


Fig. 17

- ▶ Insert the bracket in the opening in the top of the appliance and turn it forward.
- ▶ Push the appliance into the recess and align it, see **Aligning the appliance.**

Side fastening:

Installation

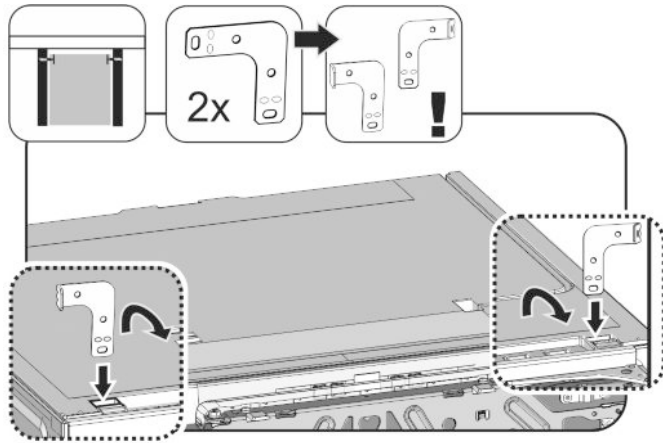


Fig. 18

- ▶ Turn both brackets prior to assembly on one end. Insert the straight side in the opening in the top of the appliance and turn it forward.
- ▶ Push the appliance into the recess and align it, see **Aligning the appliance**.

Aligning the appliance

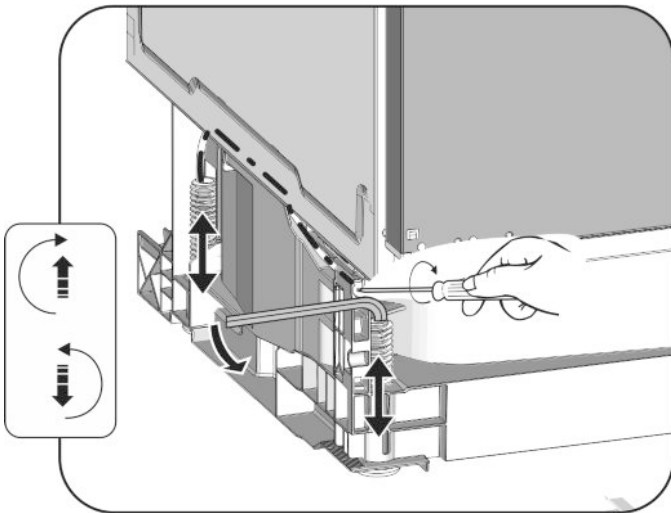


Fig. 19

- ▶ Unscrew the rear adjusting feet with a screwdriver and the front adjusting feet with an Allen key 8 in an alternating manner until they are below the worktop.
- ▶ Align the appliance vertically, using a spirit level.
- ▷ The distance between the front edge of the unit side wall and the appliance itself is 1-5/8 " (41.5 mm) on both sides.
- ▷ If there is no cabinet side panel, align it with the work top.
- In units with door stop components (knobs, sealing lips, etc.)**
- ▶ Subtract the additional distance (for depth of the door stop components) from the 1-5/8 " (41.5 mm) insertion depth.

- ▶ Unscrew the rear adjusting feet with a screwdriver and the front adjusting feet with an Allen key 8 (for screwed in adjusting feet) or screwdriver (with unscrewed adjusting feet) in an alternating manner as far as possible. The maximum adjustment distance is 2-3/8 " (60 mm).
- ▷ The appliance is aligned vertically
- ▷ The appliance is blocked slightly in the recess between the floor and the worktop.

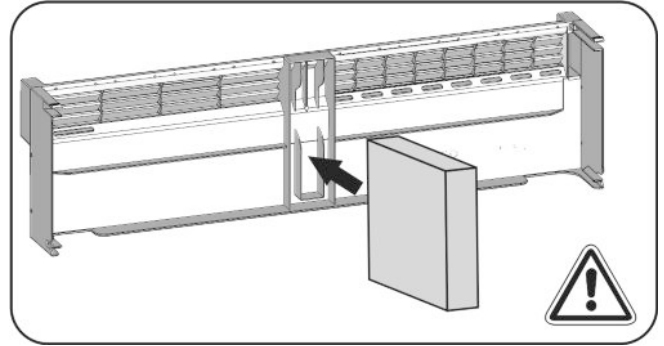


Fig. 20

- ▶ Insert the foam element in the appliance plinth trim - functionally important for separate air currents!

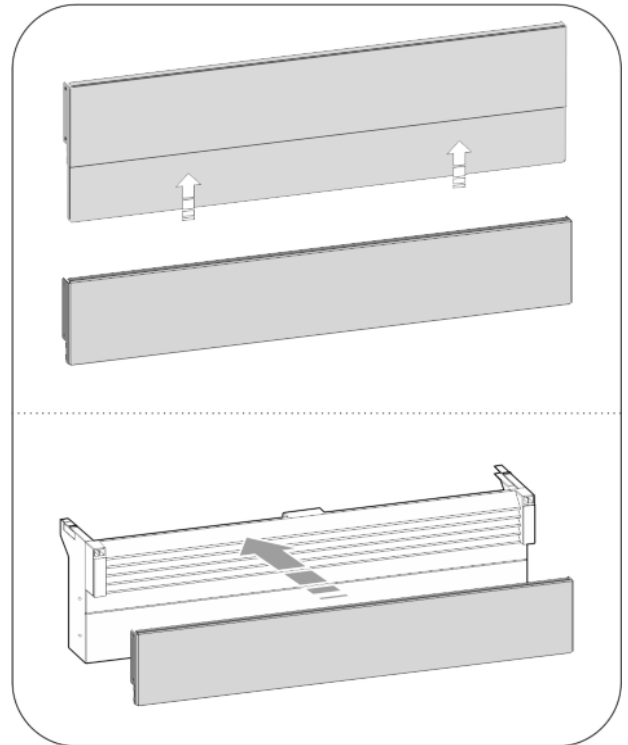


Fig. 21

- ▶ Push the supplied stainless steel cover trim together and place it on the white appliance plinth trim.

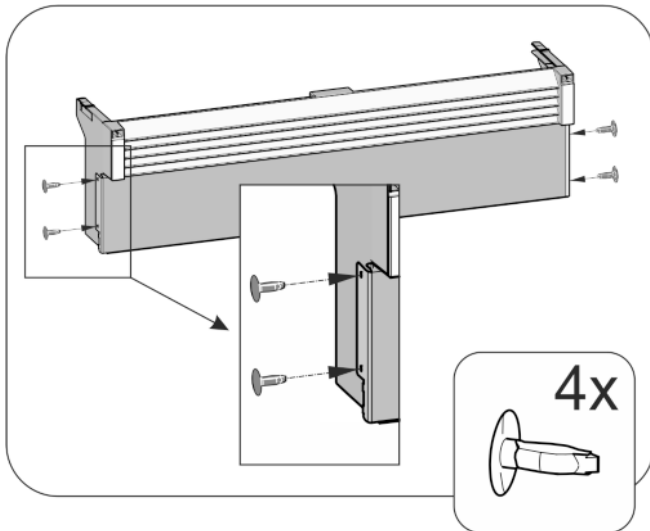


Fig. 22

- ▶ With the supplied plugs, fasten the cover trim on the right and left on the appliance plinth trim.

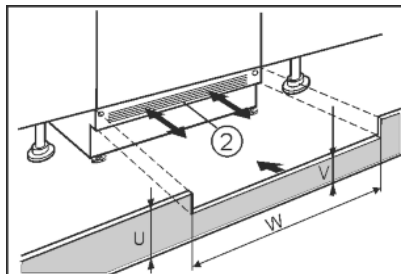


Fig. 23

- ▶ Position the appliance plinth trim (2) but do not fix it yet.
- ▶ Position the unit door and unit plinth trim for testing
- ▶ If the plinth trim (2) is visible, pull it forward as far as possible so that the front edge of the ventilation grid and the unit plinth trim lie flush.
- or-
- ▶ If the plinth trim (2) is covered, push it fully back.
- ▶ Make sure the ventilation slots are completely unobstructed: If necessary, crop the height of the unit plinth trim (U)!
- ▶ Adjust the height of the rack (V) below the appliance plinth trim (2) along the width of the recess (W).

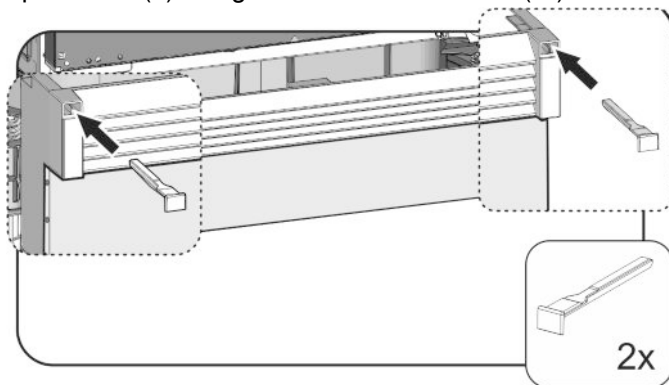


Fig. 24

- ▶ To position and fix the appliance plinth trim: Keep a steady grip on the appliance plinth trim and insert the latch.
- ▶ Fix the unit plinth trim.

To secure the appliance in the recess

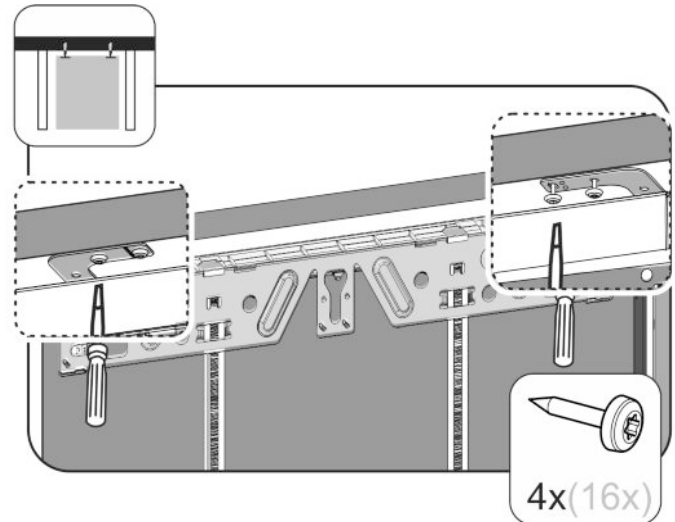


Fig. 25

- ▶ To fasten the appliance below the worktop, fasten the mounting brackets with two screws each below the worktop.

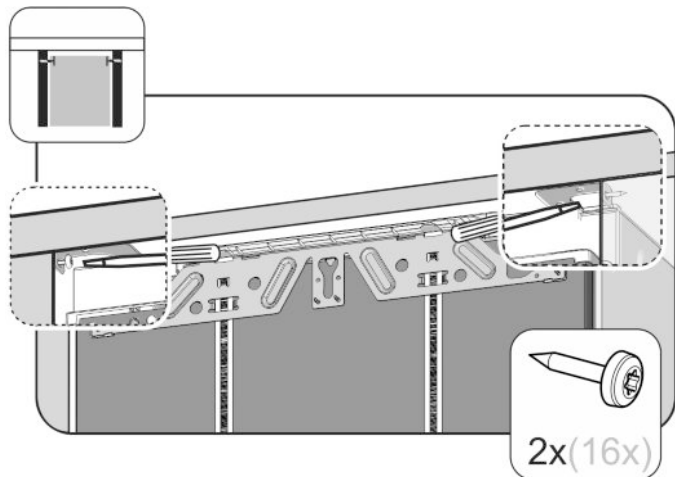


Fig. 26

- ▶ For side fastening, fasten the mounting bracket with a screw on the right and on the left in the recess.

9.2 Installing the unit door

- ▶ Installing the handle on the unit door

Installation

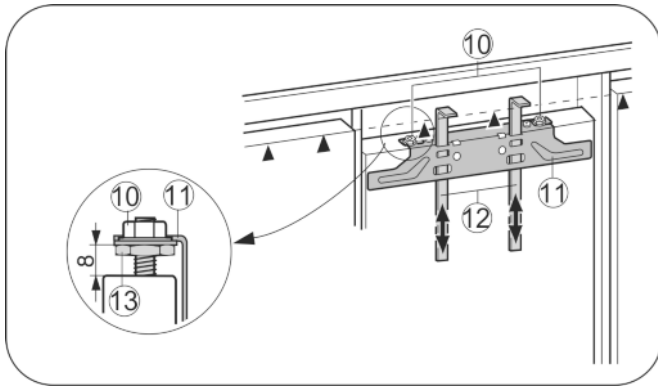


Fig. 27

- ▶ Check the 5/16 " (8 mm) presetting. (Distance between appliance door and lower edge of crosspiece)
- ▶ Raise the fitting aids Fig. 27 (12) to unit door height. Bottom stop edge of ▲the fitting aid = top edge of the unit door to be fitted.
- ▶ Unscrew the crosspiece Fig. 27 (11) by undoing the locknuts Fig. 27 (10).

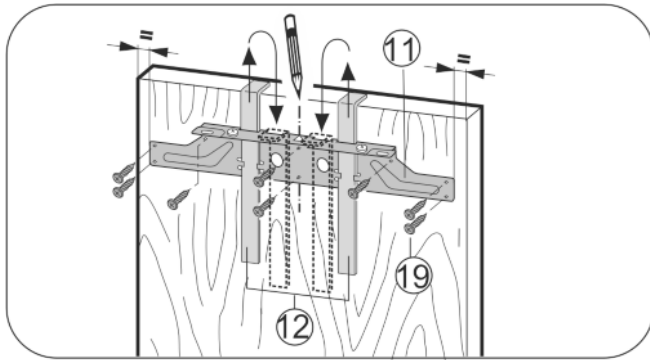


Fig. 28

- ▶ Hang the crosspiece Fig. 28 (11) on the inside of the unit door using the fitting aids Fig. 28 (12).
With a 23-5/8 " (600 mm) wide recess:
- ▶ Align the crosspiece Fig. 28 (11) to the middle of the door.
With a 24-1/32 " (610 mm) wide recess:
- ▶ Align the crosspiece (11) to the middle of the door.
- ▶ Left strip: Move the crosspiece (11) 1/4 (6 mm) to the left.
- or-
- ▶ Right strip: Move the crosspiece (11) 1/4 (6 mm) to the right.

For chipboard doors

- ▶ Secure the crosspiece Fig. 28 (11) with at least 6 screws Fig. 28 (19).

For frame and panel doors

- ▶ Secure the crosspiece Fig. 28 (11) with 4 screws Fig. 28 (19) at the edge.
- ▶ Lift up fitting aids Fig. 28 (12), turn round and insert into the adjacent openings.

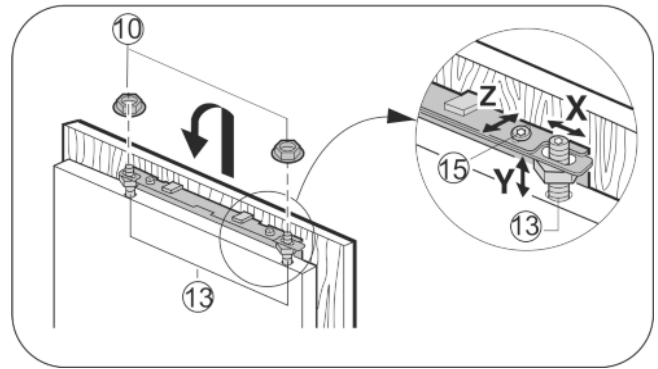


Fig. 29

- ▶ Attach the unit door on the adjusting bolts Fig. 29 (13) and loosely screw locknuts Fig. 29 (10) onto the adjusting bolts.
- ▶ Close the door.
- ▶ Check the gap between the door and the surrounding unit doors
- ▶ To laterally align the unit door Move the unit door in the X direction.
- ▶ To align the unit door in the Y direction (height) and in lateral inclination: Adjust the adjusting bolts Fig. 29 (13) with a screwdriver.
- ▷ The unit door is flush and in alignment with the surrounding unit fronts
- ▶ Tighten the locknuts Fig. 29 (10).

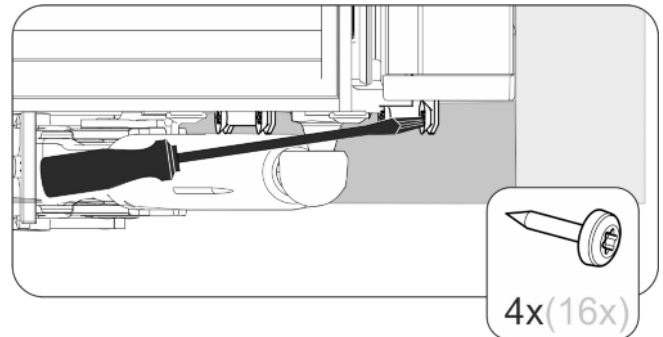


Fig. 30

- ▶ Screwing the unit door to the appliance door.
- ▶ Drill pilot holes in the door of the unit (you could make a preliminary hole with a bradawl)
- ▶ Screw the appliance door to the unit door with screws through the mounting brackets.

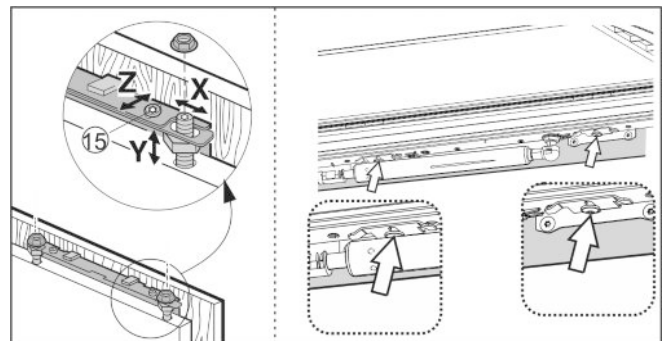


Fig. 31

- ▶ Align the unit door in depth Z : loosen the upper and lower screws on the door, then move the door.

- ▶ To ensure better access to the screws below the door, open the door approx. 45°.
- ▶ Do not allow the knobs and sealing lips to contact the door - important for function
- ▶ Set an air gap of 3/32 " (2 mm) between the unit door and the body of the unit.

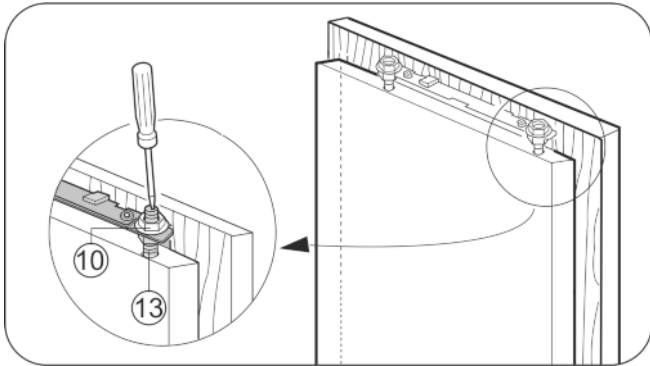
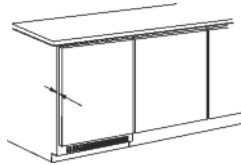


Fig. 32

- ▶ Check the fit of the door and re-adjust, if necessary
- ▶ Tighten all screws
- ▶ Tighten the locknuts Fig. 32 (10) with a hex wrench 13, while counter-holding the adjusting bolts Fig. 32 (13) with a screwdriver.

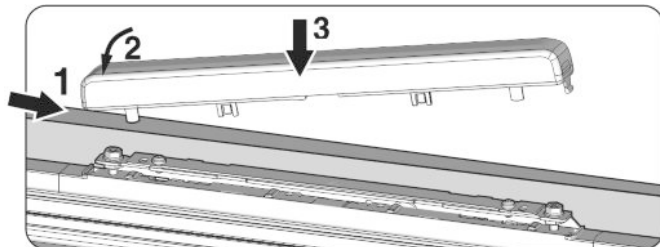


Fig. 33

- ▶ Position the upper cover and snap it into place.

Check the following points to make sure the appliance is installed correctly. Otherwise, icing up, the formation of condensate, and malfunctions can occur

- ▷ The door must close properly
- ▷ The unit door must not touch the body of the unit

10.2 Disposal of packaging



WARNING

Danger of suffocation from packaging materials and films!

- ▶ Do not allow children to play with packaging materials.

The packaging is made from recyclable materials:

- Corrugated card/cardboard
- Parts made of foamed polystyrene
- Films and bags from polyethylene
- Packing bands from polypropylene
- Wood frame nailed together with a polyethylene window*



- ▶ Take the packaging material to an official collection point.

11 Connecting the appliance



WARNING

Electrical shock hazard!

- ▶ Start-up should only take place once the appliance has been installed according to these instructions.
- ▶ Electrically ground appliance.
- ▶ Do not ground to a gas pipe.
- ▶ Check with a qualified electrician if you are not sure the appliance is properly grounded.
- ▶ Do not have a fuse in the neutral or grounding circuit.
- ▶ Do not use an extension cord, power bar or a multiple socket adapter.
- ▶ Do not use a power cord that is frayed or damaged.



WARNING

Electrical shock hazard!

This appliance is equipped with a three-prong (grounding) polarized plug for your protection against possible shock hazards. Electrical Grounding Required.

- ▶ Do not remove the round grounding prong from the plug.
- ▶ Use only an grounded adapter.

- Wait 1 hour after installation before you plug in the appliance. This allows the refrigerant and system lubrication to reach equilibrium.
- Make sure incoming voltage is the same as the appliance rating. A 110-120 Volt, 60 Hz, 15 Amp electrical supply (20 Amp for side-by-side installations) circuit that is controlled by a circuit breaker or fuse is required.
- We recommend using a dedicated circuit for this appliance to prevent electrical overload.
- Follow all Federal, State and local electrical, fire and building codes and ordinances when installing the receptacle and / or the appliance.
- In some communities, a wall switch is required to turn power to the appliance ON and OFF.
- To reduce the risk of fire, electric shock, or personal injury, installation work and electrical wiring must be done by a qualified electrician in accordance with all applicable codes and standards, including fire-rated construction.
- The Power Plug must be easily accessible so that the appliance can be disconnected from the mains quickly in an emergency. It must not be behind the back of the appliance.
- The top of the electric outlet must be located within 82-5/8 in. (2100 mm) from the top of the base in the cabinet.

For Service in the U.S.:

Liebherr Service Center

Toll Free: 1-866-LIEBHER or 1-866-543-2437

Service-appliances.us@liebherr.com
PlusOne Solutions, Inc.
3501 Quadrangle Blvd, Suite 120
Orlando, FL 32817

For Service in Canada:

Liebherr Service Center

Toll Free: 1-888-LIEBHER or 1-888-543-2437

www.euro-parts.ca
EURO-PARTS CANADA
39822 Belgrave Road
Belgrave, Ontario, N0G 1E0
Phone: (519) 357-3320
Fax: (519) 357-1326



www.liebherr-appliances.com