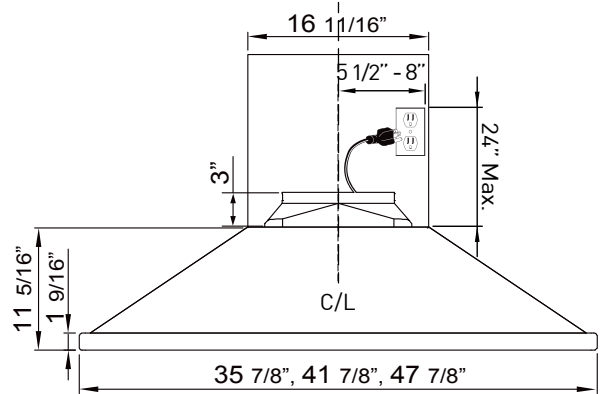


RH011

chimney wall hood

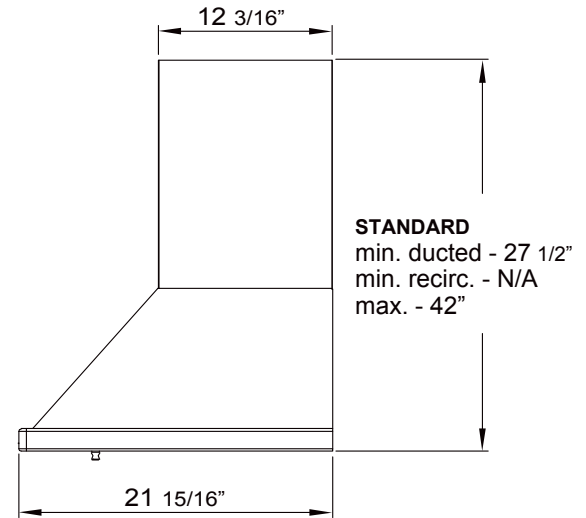


36" model shown

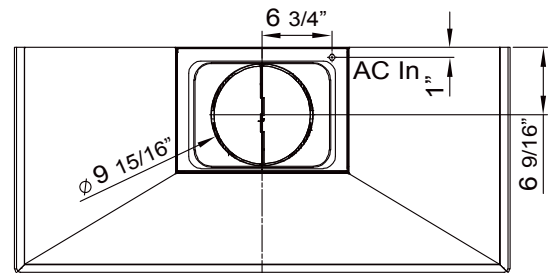


FRONT

| | |
|------------------------------|---|
| MODEL | RH01136AS RH01142AS RH01148AS |
| SIZE | 36" 42" 48" |
| NET WIDTH | 35-7/8" 41-7/8" 47-7/8" |
| MAX. CFM | 1,200 |
| CFM SELECTOR* | 590, 390 |
| MAX. SONES | 9 |
| FEATURES | |
| color | stainless steel |
| controls | 3-speed, capacitive touch |
| delay off | yes, 5 minute |
| lighting | 9W LED strip |
| dual level lighting | yes |
| filters | hybrid baffle (2) - 36", 42" hybrid baffle (3) - 48" |
| recirculating option | no |
| DUCT SPECIFICATIONS | |
| vertical | 10" round |
| horizontal | n/a |
| AC INPUT | 120v, 60hz |
| AC POWER | max. 760w @ 6.3a |
| INSTALLATION HEIGHT** | 24" - 34" |



SIDE



C/L

TOP

*CFM Selector enables the installer to limit the maximum CFM to meet local codes. When enabled, the fan speeds will be reduced as follows; 590 CFM = 2 speeds, 390 CFM = 1 speed.

**installation height is the distance between top of cooking surface and bottom of hood.



2018.07

vsupport@ventingservices.com | 1.888.750.1698