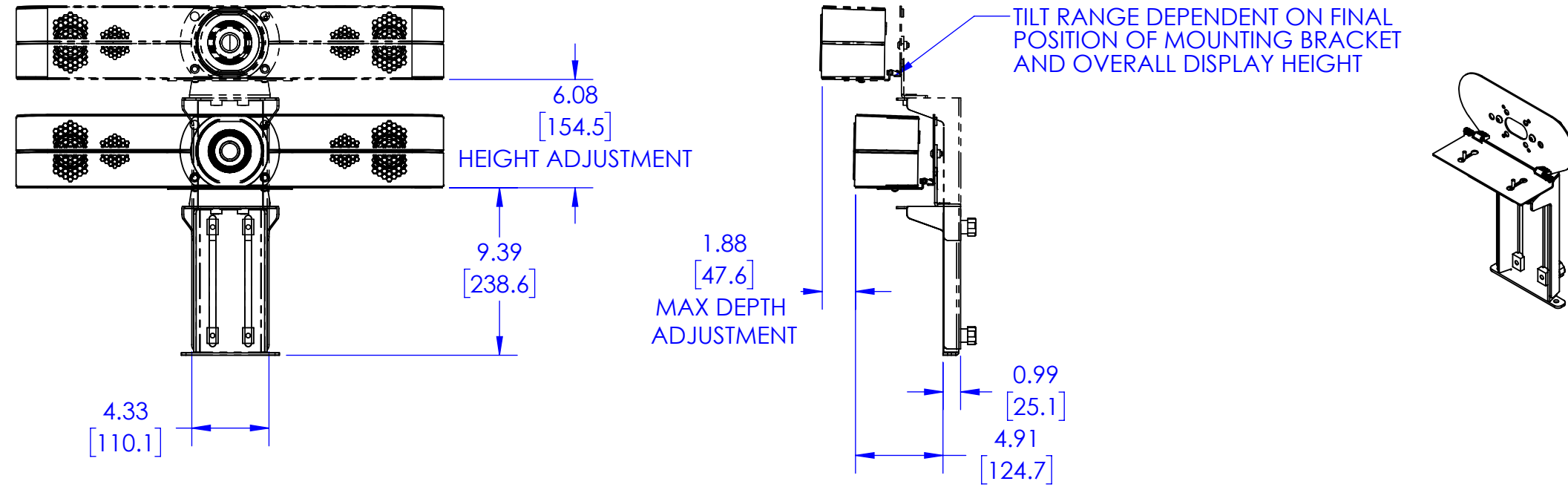
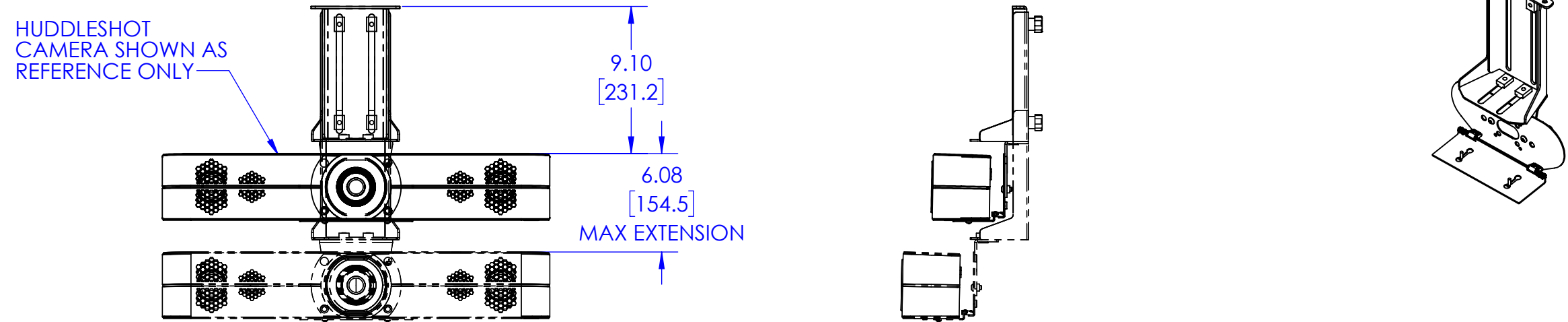


HUDDLESHOT CAMERA INSTALLED ABOVE DISPLAY



HUDDLESHOT CAMERA INSTALLED BELOW DISPLAY



THE INFORMATION AND DESIGNS CONTAINED IN THIS DRAWING ARE CONFIDENTIAL AND THE PROPRIETARY PROPERTY OF LEGRAND | AV. NEITHER THIS DESIGN NOR ANY INFORMATION CONTAINED IN THIS DRAWING MAY BE REPRODUCED OR DISCLOSED TO OTHERS WITHOUT THE EXPRESS WRITTEN CONSENT OF LEGRAND | AV.

CAD GENERATED DRAWING, DO NOT MANUALLY UPDATE.				6436 CITY WEST PKWY EDEN PRAIRIE, MN, 55344 PHONE: 866-977-3901 FAX: 877-894-6918	
DRAWN BY	PMS	DESCRIPTION			
ENG APPROVAL		PAC800HS TECH DRAWING			
MFG APPROVAL		MODEL NO.			
QA APPROVAL		PAC800HS			
SHEET 1 OF 1		SCALE	SIZE	DWG. NO.	REV.
		1:8	B	TECH-001048	00