

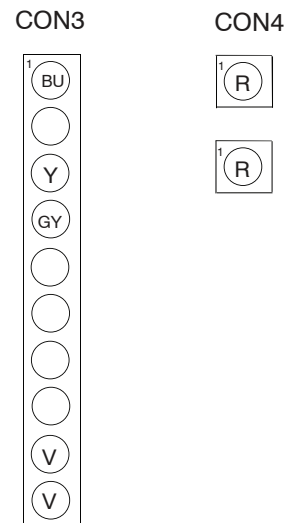
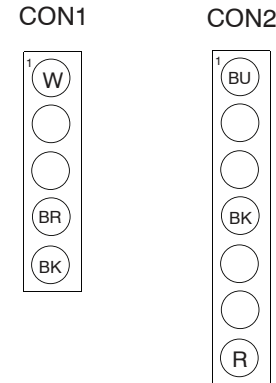
# FOR SERVICE TECHNICIAN'S USE ONLY

## Wiring Diagram

Do Not Remove Or Destroy

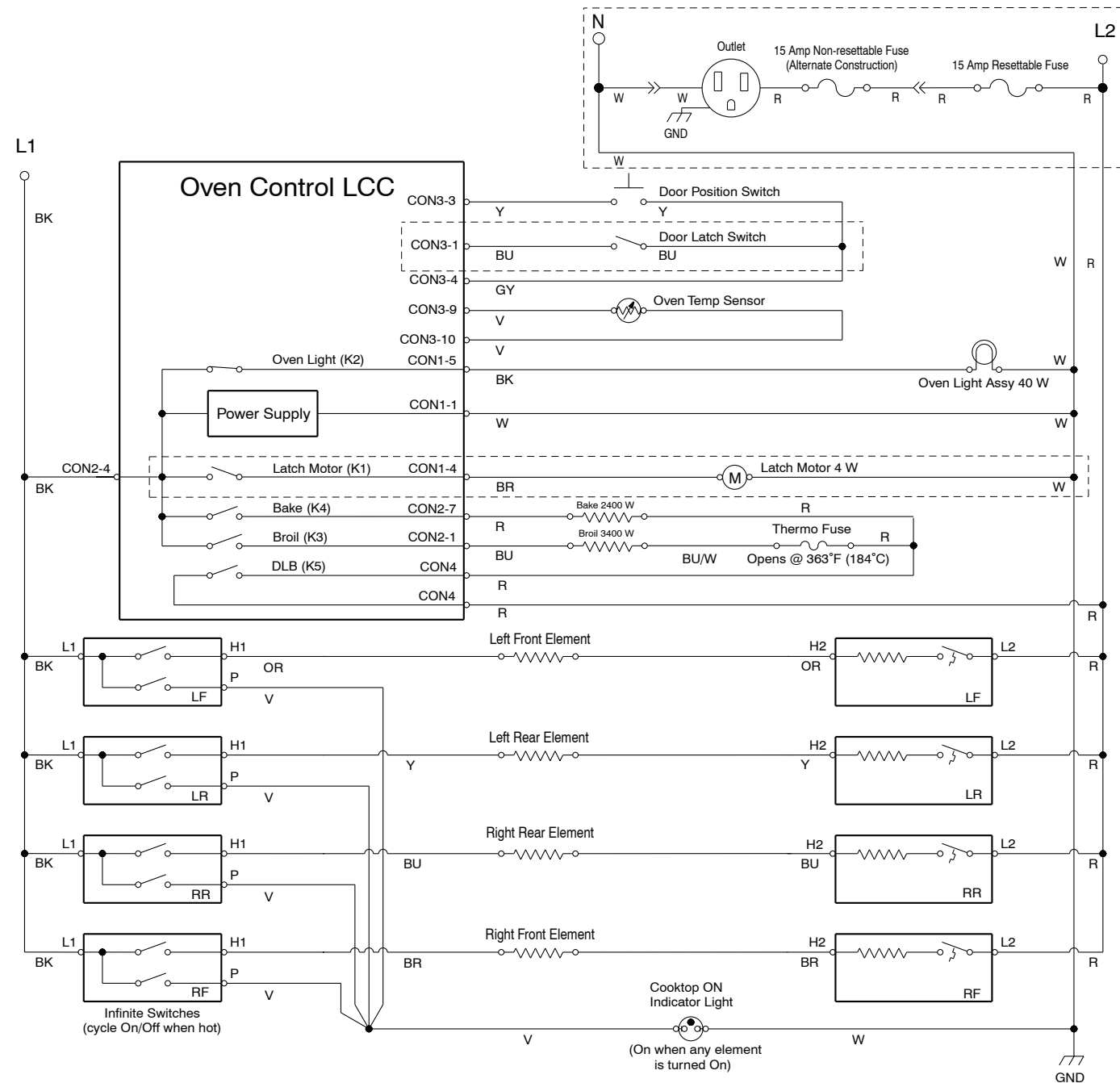
### Quick Connect Plugs

For oven controls



### Oven Control Wiring Diagram

NOTE: Schematic shows door latch switch in the COOK position with oven door open and elements off.



Coil Cooktop Configuration	Left Front Element	Left Rear Element	Right Rear Element	Right Front Element
1	2400 W	1500 W	2400 W	1500 W

### LEGEND

															CON1-2 = Connector 1 CON1 Position 2		
--	--	--	--	--	--	--	--	--	--	--	--	--	--	--	---	--	--