



4.8 cu. ft. Electric Range

WFC150M0E



Black
WFC150M0EB

Also available in:



White

WFC150M0EW

Capacity	
Oven	4.8 cu. ft.

Electrical Details	
Amps	40
Volts	120/240

Technical Details	
Fuel Type	Electric
Range Type	Freestanding Single Oven
Oven Cooking System	Thermal
Number of Oven Racks	2
Cleaning Type	Manual Clean
Number of Elements	4
Element Type	Coil
Element Size/Power	(2) 8" 2100W (2) 6" 1250W

Dimensions	
Product Dimensions (H x W x D)	47-7/8" x 29-7/8" x 27-3/4"
Depth with Door Open 90°	46-3/4"

Reference Material

[Dimension Guide](#)

[Install Guide](#)

[Use & Care Guide](#)

[Warranty](#)

Key Features & Benefits

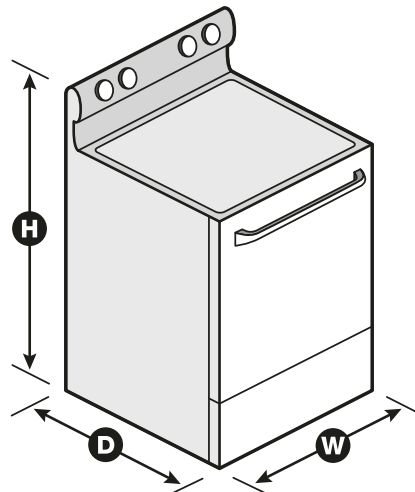
Counter Depth Range

Designed to fit within 2" of a standard 25" depth countertop.

EasyView™ Large Oven Window

Offers a clear view of food in the oven.

#1 Selling Appliance Brand in the U.S.A.*



*Based on 12-month average of unit sales. Refrigeration, Cooking, Dishwashers and Laundry appliances. TraQline 2018. NOTE: Dimensions are for planning purposes only. For complete details, see Installation Instructions packed with product. Specifications subject to change without notice. ®/™ © 2020. All rights reserved. Printed in the U.S.A. D200052XXB. WFC150M0ESPECSHEETV01.