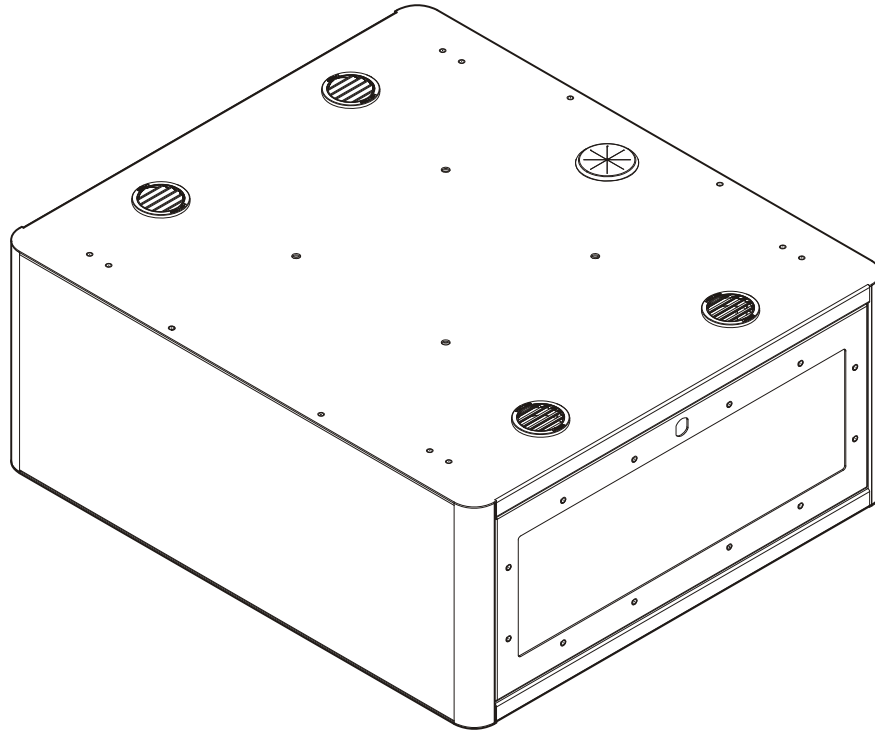


---

# INSTALLATION INSTRUCTIONS

---



---

## Secure Storage Cabinet

---

---

 **CHIEF**<sup>®</sup>

A brand of  **legrand**<sup>®</sup>

**PAC735**

---

## DISCLAIMER

Legrand | AV and its affiliated corporations and subsidiaries (collectively "Legrand | AV"), intend to make this manual accurate and complete. However, Legrand | AV makes no claim that the information contained herein covers all details, conditions or variations, nor does it provide for every possible contingency in connection with the installation or use of this product. The information contained in this document is subject to change without notice or obligation of any kind. Legrand | AV makes no representation of warranty, expressed or implied, regarding the information contained herein. Legrand | AV assumes no responsibility for accuracy, completeness or sufficiency of the information contained in this document.

## DEFINITIONS

**MOUNTING SYSTEM:** A MOUNTING SYSTEM is the primary Chief product to which an accessory and/or component is attached.

**ACCESSORY:** AN ACCESSORY is the secondary Chief product which is attached to a primary Chief product, and may have a component attached or setting on it.

**COMPONENT:** A COMPONENT is an audiovisual item designed to be attached or resting on an accessory or mounting system such as a video camera, CPU, screen, display, projector, etc.



**WARNING:** A WARNING alerts you to the possibility of serious injury or death if you do not follow the instructions.



**CAUTION:** A CAUTION alerts you to the possibility of damage or destruction of equipment if you do not follow the corresponding instructions.



## IMPORTANT SAFETY INSTRUCTIONS



**WARNING:** Failure to read, thoroughly understand, and follow all instructions can result in serious personal injury, damage to equipment, or voiding of factory warranty! It is the installer's responsibility to make sure all accessories are properly assembled and installed using the instructions provided.



**WARNING:** Exceeding the weight capacity can result in serious personal injury or damage to equipment! It is the installer's responsibility to make sure the combined weight of all equipment stored within the PAC735 does not exceed 40 lbs (18.14 kg).



**WARNING:** Use this accessory only for its intended use as described in these instructions. Do not use attachments not recommended by the manufacturer.



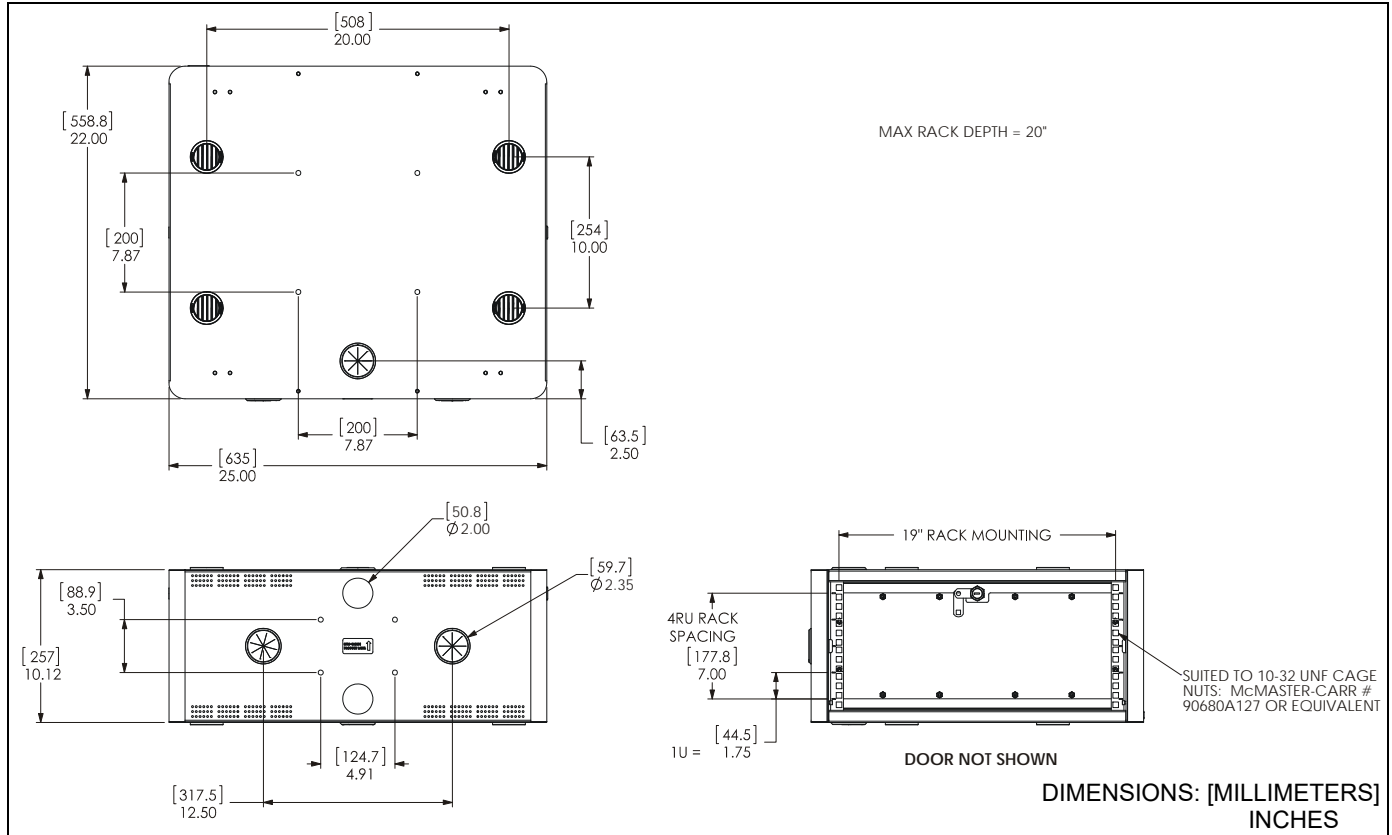
**WARNING:** Never operate this accessory if it is damaged. Return the accessory to a service center for examination and repair.



**WARNING:** Do not use this accessory outdoors.

**--SAVE THESE INSTRUCTIONS--**

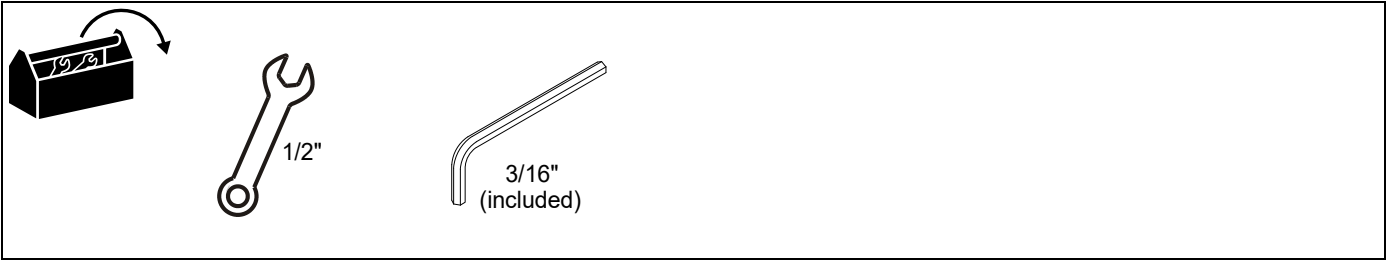
**DIMENSIONS**



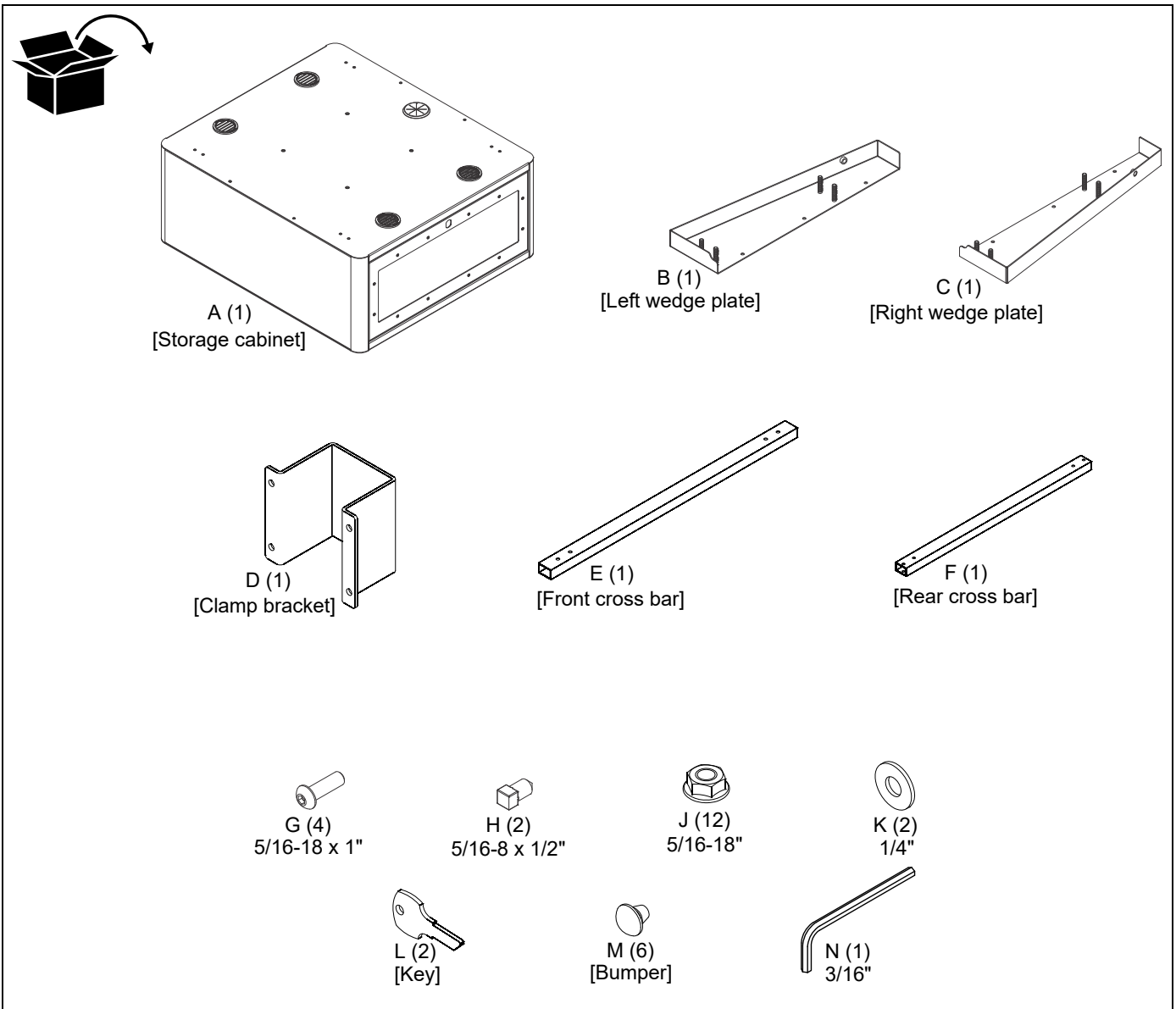
**LEGEND**

	<b>Tighten Fastener</b>
	Apretar elemento de fijación
	Befestigungsteil festziehen
	Apertar fixador
	Serrare il fissaggio
	Bevestiging vastdraaien
Serrez les fixations	
	<b>Loosen Fastener</b>
	Aflojar elemento de fijación
	Befestigungsteil lösen
	Desapertar fixador
	Allentare il fissaggio
	Bevestiging losdraaien
Desserrez les fixations	
	<b>Open-Ended Wrench</b>
	Llave de boca
	Gabelschlüssel
	Chave de bocas
	Chiave a punte aperte
	Steeksleutel
Clé à fourche	
	<b>By Hand</b>
	A mano
	Von Hand
	Com a mão
	A mano
	Met de hand
À la main	
	<b>Hex-Head Wrench</b>
	Llave de cabeza hexagonal
	Sechskantschlüssel
	Chave de cabeça sextavada
	Chiave esagonale
	Zeskantsleutel
Clé à tête hexagonale	

### TOOLS REQUIRED FOR INSTALLATION



### PARTS



## ASSEMBLY AND INSTALLATION

### Assemble Base Support (Cart Installation ONLY!)

**NOTE:** If installing PAC735 to a stand rather than a cart, the base support is not needed as the PAC735 will sit directly on the base of the stand. Proceed to Mount Storage Cabinet section.

1. Place left wedge plate (B) and right wedge plate (C) on a flat surface with threaded bolts facing up. (See Figure 1)
2. Place front cross bar (E) and rear cross bar (F) on top of wedge plates and insert bolts through corresponding holes on cross bars. (See Figure 1)
3. Install eight 5/16-18" hex nuts (J) over each threaded bolt and tighten until cross bars are secured to wedge plates. (See Figure 1)

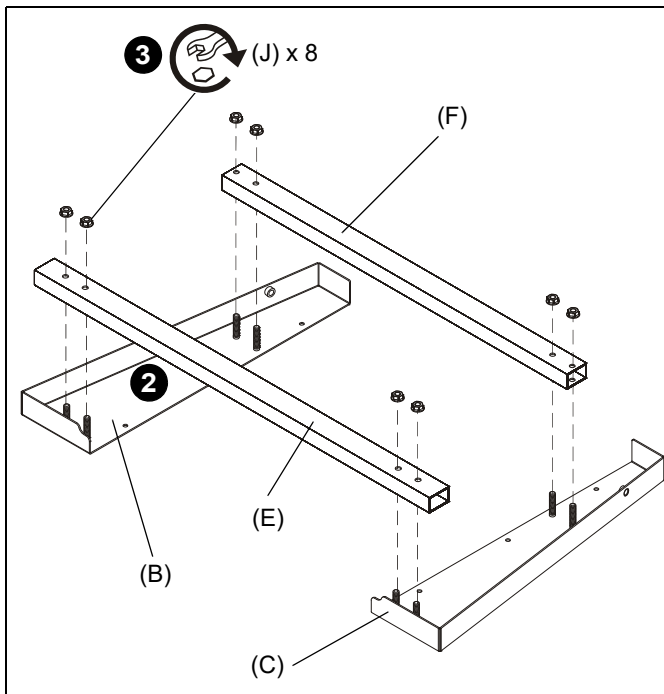


Figure 1

### Attach Base Support to Cart

1. Partially install two 5/16-18 x 1/2" square head cap screws (H) and two 1/4" flat washers (K) into side holes on wedge plates. DO NOT TIGHTEN! (See Figure 2)

**NOTE:** Screws should protrude approximately 1/8" beyond wedge plate edge.

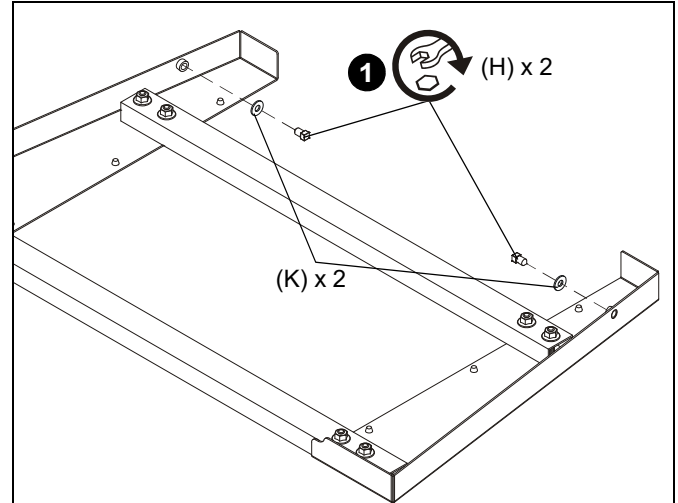


Figure 2

2. Slightly loosen (approximately three turns) the front button head cap screw on either side of the cart base. (See Figure )

**NOTE:** Only **one** screw should be loosened on only **one** side of the cart base.

3. Add six bumpers (M) to top of base support. (See Figure 3)
4. Place base support inside legs of cart and push toward cart back. (See Figure )

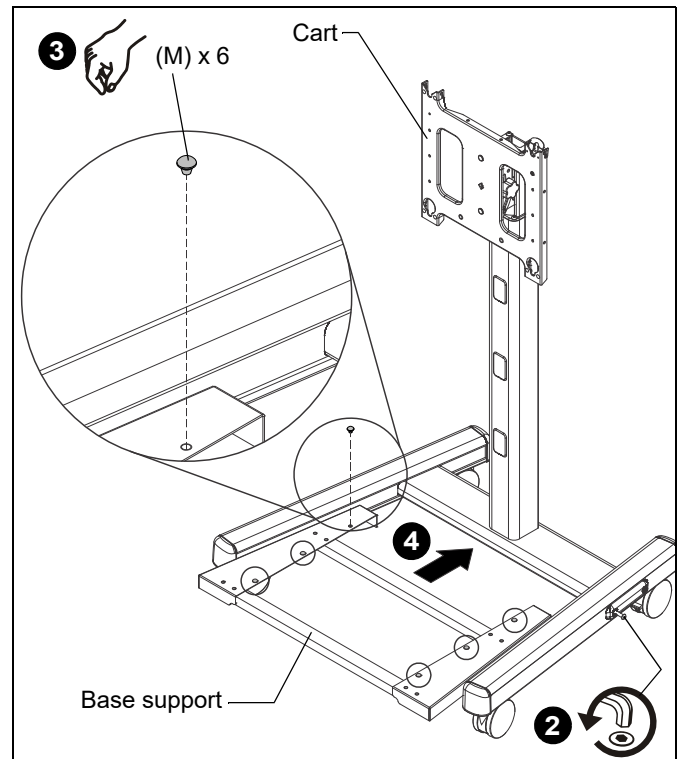


Figure 3

5. Push base support back until it snaps in behind front cap of cart base. (See Figure 4)
6. Tighten button head cap screw on cart side which was loosened in Step 2. (See Figure 4)
7. Tighten two 5/16-18 x 1/2" square head cap screws (H) from Step 1 further into cart until base support is secured to cart. (See Figure 4)

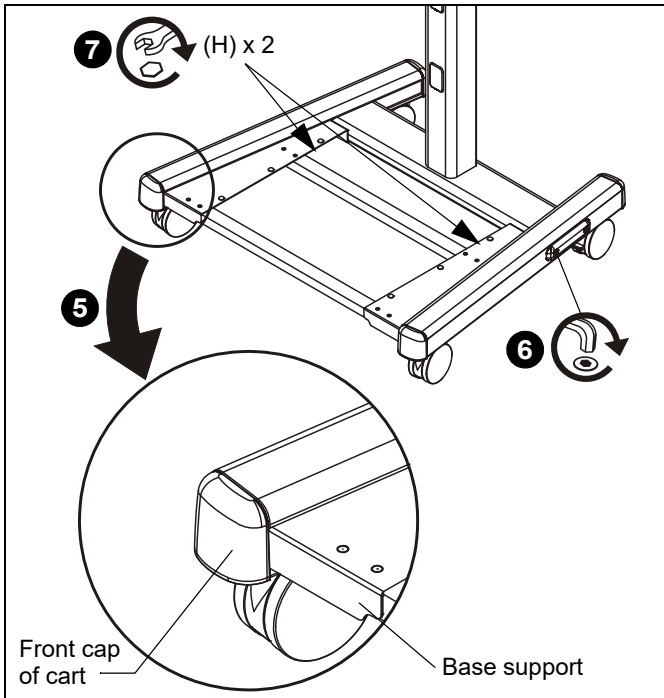


Figure 4

**Mount Storage Cabinet**

1. Place storage cabinet (A) on top of base support. (See Figure 5)

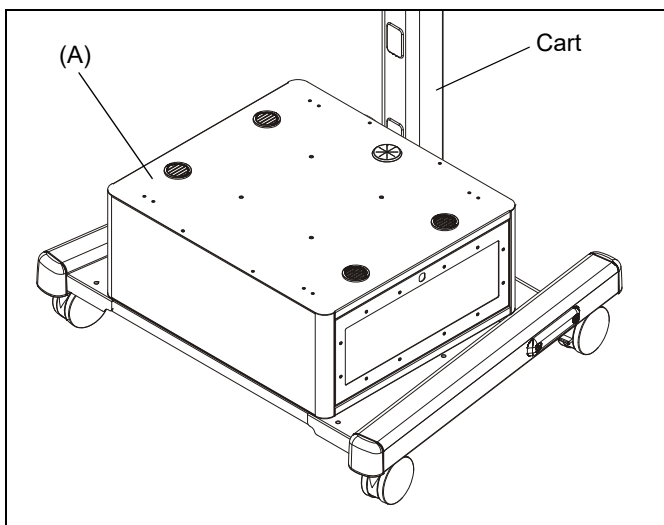


Figure 5

2. Place clamp bracket (D) around cart/stand and line up with holes on back of storage cabinet (A). (See Figure 6)

3. Insert four 5/16-18 x 1" button head cap screws (G) through clamp bracket holes and into holes on back of storage cabinet (A). (See Figure 6) and (See Figure 7)

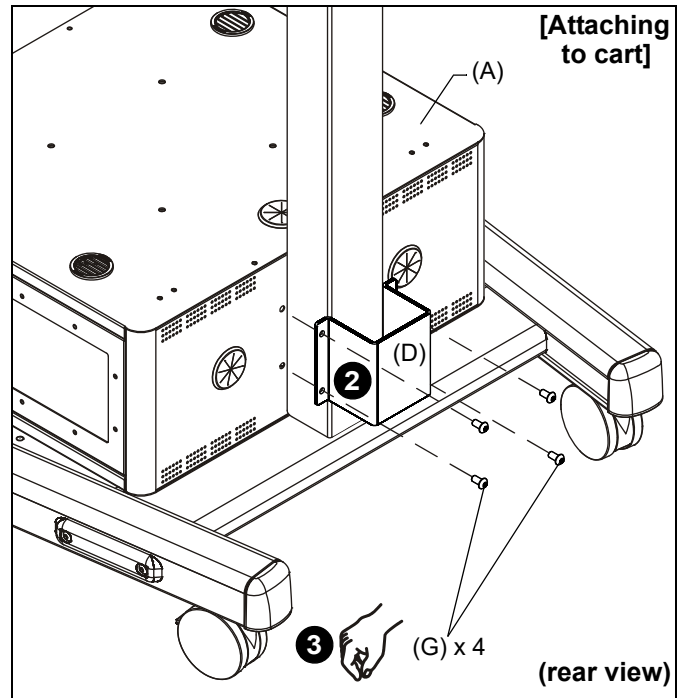


Figure 6

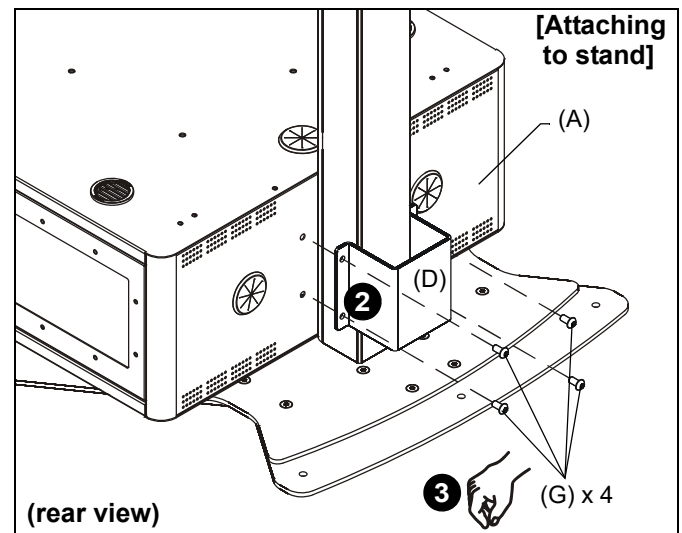


Figure 7

4. Open either door on accessory to install remaining four 5/16-18" hex nuts (J) onto four 5/16-18 x 1" button head cap screws (G) until accessory is fully secured to cart/stand. (See Figure 6)
5. Remove the protective layer from both the inside and outside of glass.
6. Up to three storage cabinets can be stacked vertically on top of each other per cart/stand. Repeat steps 1-4 for additional cabinets and use holes on top of cabinets to bolt cabinets together.

**Rack Installation (Optional)**

1. Open windowed door.
2. Slide rack equipment (not included) into storage cabinet.

**NOTE:** Each storage cabinet supports 19" (483 mm) wide rack mount equipment and has a capacity of 4 U.

3. Use #10-32 cage nuts (not included) to secure storage racks to storage cabinet.



A brand of  **legrand**

8800-003114 Rev00  
©2019 Legrand | AV  
[www.legrandav.com](http://www.legrandav.com)  
02/19

<b>USA/International</b>	<b>A</b> 6436 City West Parkway, Eden Prairie, MN 55344 <b>P</b> 800.582.6480 / 952.225.6000 <b>F</b> 877.894.6918 / 952.894.6918
<b>Europe</b>	<b>A</b> Franklinstraat 14, 6003 DK Weert, Netherlands <b>P</b> +31 (0) 495 580 852 <b>F</b> +31 (0) 495 580 845
<b>Asia Pacific</b>	<b>A</b> Office No. 918 on 9/F, Shatin Galleria 18-24 Shan Mei Street Fotan, Shatin, Hong Kong <b>P</b> 852 2145 4099 <b>F</b> 852 2145 4477

