

## Grill Set-Up and Assembly

- 1** Cut the plastic bands and open the shipping container.
- 2** Open the dome of the grill and remove the components from the inside of the grill. Handle the internal ceramic parts with care.
- 3** Once the internal components of the grill have been removed, lift the grill out of the container and set it aside. Use the rear hinge and the front lower vent opening as lifting points.
- 4** Remove the plastic wrapping from the base of the grill cart.
- 5** Lift the grill into the stand. Adjust the grill in the stand so the lower grill vent is facing the front of the stand.

# Internal Assembly

**Building a better grill starts with a few easy steps and the parts below.**

## ASSEMBLY

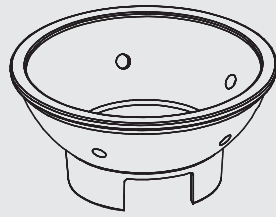
**1** Open the dome and place the base of the FireBox in the bottom of the grill.



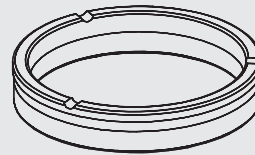
**2** Place the FireBox Ring on top of the Firebox.



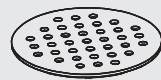
## PARTS



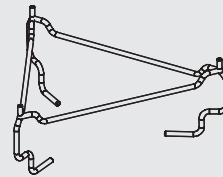
Ceramics FireBox x1



FireBox Ring x1

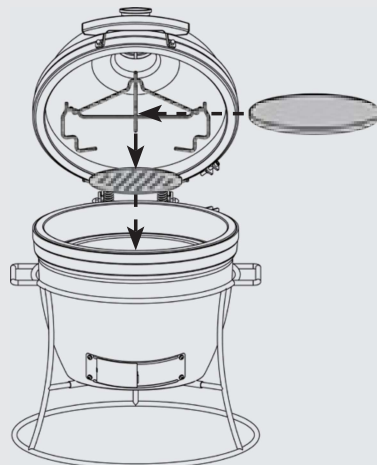


Cast Iron Fire Grate x1



Accessory Rack x1

**3** Set the Cast Iron Fire Grate on top of the base. Note: the ribbed side of the fire grate should face downward.



**4** Place the Accessory Rack on top of the FireBox Ring. Note: the rack should fit on the indents of the ring.

