

PELLET JOE OWNER'S MANUAL

A GUIDE TO KAMADO COOKING



PELLETJOE

Manual Code: 9826200036 | 201021-GH

Table of Contents

Warnings	2
Parts List & Tools Required	8
Grill Set-Up Instructions	9
Assembly Instructions	10
Quick Start Guide	16
Wifi	17
Air Lift Hinge Adjustments	18
Latch Adjustments	19
Cleaning & Care	20
Part Replacement	21
Trouble Shooting	22

PELLETS ARE NOT INCLUDED.



WARNING

- This manual contains important information necessary for the proper assembly and safe use of the appliance.
- READ AND FOLLOW ALL WARNINGS AND INSTRUCTIONS BEFORE ASSEMBLING AND USING THE APPLIANCE.
- KEEP THIS MANUAL FOR FUTURE REFERENCE.
- Contact local building or fire officials about restrictions and installation inspection requirements in your area.



Failure to follow these instructions could result in fire, explosion or burn hazard which could cause property damage, personal injury or death.



CARBON MONOXIDE HAZARD

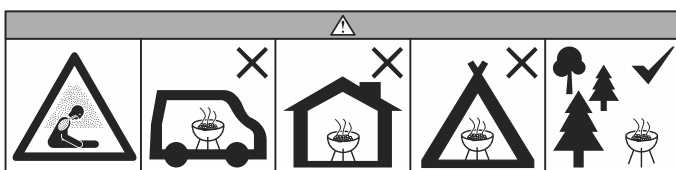
Burning pellets gives off carbon monoxide, which has no odor and can cause death. Use only outdoors where it is well ventilated. Follow these guidelines to prevent this colorless, odorless gas from poisoning you, your family or others. Pellets do not come with this grill.

- Know the symptoms of carbon monoxide poisoning: headache, dizziness, weakness, nausea, vomiting, sleepiness and confusion. Carbon monoxide reduces the blood's ability to carry oxygen. Low blood oxygen levels can result in loss of consciousness and death.
- See a doctor if you or others develop cold or flu-like symptoms while cooking or in the vicinity of this appliance. Carbon monoxide poisoning, which can easily be mistaken for a cold or flu, is often detected too late.
- Alcohol consumption and drug use increase the effects of carbon monoxide poisoning.
- Carbon monoxide is especially toxic to mother and child during pregnancy, infants, the elderly, smokers and people with blood or circulatory system problems, such as asthma or heart disease.

! WARNINGS AND IMPORTANT SAFEGUARDS

READ ALL INSTRUCTIONS

- **WARNING!** This grill will become very hot. Do not move it during operation.
- **WARNING!** Do not use indoors!
- **WARNING!** Never use gasoline-type lantern fuel, kerosene, charcoal lighter fluid, or similar liquids to start or freshen up a fire in this grill. Keep all such liquids well away from the grill when in use.
- **WARNING!** Keep children and pets away from grill at all times. Do NOT allow children to use grill. Close supervision is necessary when children or pets are in the area where grill is being used.



• A MAJOR CAUSE OF FIRES IS FAILURE TO MAINTAIN REQUIRED CLEARANCES (AIR SPACES) TO COMBUSTIBLE MATERIALS. IT IS OF UTMOST IMPORTANCE THAT THIS PRODUCT BE INSTALLED ONLY IN ACCORDANCE WITH THESE INSTRUCTIONS.

- Do not use the grill in a confined and/or habitable space e.g. houses, tents, caravans, motor homes, boats. Danger of carbon monoxide poisoning fatality.
- Always use grill in accordance with all applicable local, state and federal fire codes.
- Before each use check all nuts, screws and bolts to make sure they are tight and secure.
- Never operate grill under overhead construction such as roof coverings, carports, awnings or overhangs.
- Grill is for OUTDOOR USE ONLY.
- Keep a minimum 10 ft. (3m) clearance of all combustible materials such as wood, dry plants, grass, brush, paper or canvas. Extension cords may be used if care is exercised in their use (See page 7).



WARNINGS AND IMPORTANT SAFEGUARDS

- Never use grill for anything other than its intended use. This grill is NOT for commercial use.
- Accessory attachments that are not expressly designed for this grill are NOT recommended and may cause injury.
- Use of alcohol, prescription or non-prescription drugs may impair user's ability to assemble or safely operate grill.
- Keep a fire extinguisher accessible at all times while operating grill.
- When cooking with oil or grease, have a type BC or ABC fire extinguisher readily available.
- In the event of an oil or grease fire do not attempt to extinguish with water. Immediately call the fire department. A type BC or ABC fire extinguisher may, in some circumstances, contain the fire.
- Use grill on a level, non-combustible, stable surface such as dirt, concrete, brick or rock. An asphalt surface (blacktop) may not be acceptable for this purpose.
- Grill **MUST** be on the ground. Do not place grill on tables or counters. Do NOT move grill across uneven surfaces.
- Do not use grill on wooden or flammable surfaces.
- Keep grill clear and free from combustible materials such as gasoline and other flammable vapors and liquids.
- Do not leave grill unattended.
- Do NOT allow anyone to conduct activities around grill during or following its use until it has cooled.
- Never use glass, plastic or ceramic cookware in grill. Never place empty cookware in grill while in use.
- Never move grill while in use. Allow grill to cool completely (below 115°F (45°C)) before moving or storing.
- Do not store grill with hot ashes or pellets inside grill. Store only when fire is completely out and all surfaces are cold.
- Never use grill as a heater. **READ CARBON MONOXIDE HAZARD.**
- Use only food grade wood pellets. Do not use heating fuel pellets labeled as having additives.
- The grill is **HOT** while in use and will remain **HOT** for a period of time afterwards and during cooling process. Use **CAUTION**. Wear protective gloves/mitts.
- **DO NOT** bump or impact the grill to prevent personal harm, damage to grill or spillage/splashing of hot cooking liquid.



WARNINGS AND IMPORTANT SAFEGUARDS

- Be careful when removing food from grill. All surfaces are HOT and may cause burns. Use protective gloves/mitts or long, sturdy cooking tools for protection from hot surfaces or splatter from cooking liquids.
- Do not touch HOT surfaces.
- Grill is HOT during use. To avoid burns, keep face and body away from vents and when opening lid. Steam and hot air are expelled during use.
- When cooking above 350°F (175°C), carefully open the grill (or burp the grill) each time you lift the grill dome to prevent flashback – a surge of white-hot heat caused by a rush of oxygen. Partially opening the lid 2-3 inches (5-8cm) and allowing heat to escape for about 5 seconds should prevent this.
- Air dampers are HOT while the grill is in use and during cooling. Wear protective gloves when adjusting.
- Grill has an open flame. Keep hands, hair and face away from flame. Loose hair and clothing may catch fire.
- DO NOT obstruct flow of combustion and ventilation.
- Do not cover cooking racks with metal foil. This will trap heat and may cause damage to the grill.
- Always use appliance in accordance with all applicable local, state and federal fire codes.
- Disposal of Ashes - Ashes should be placed in a metal container with a tight fitting lid. The closed container of ashes should be placed on a noncombustible floor or on the ground, well away from all combustible materials, pending final disposal. If the ashes are dispersed or by burial in soil or otherwise locally dispersed, they should be retained in the closed container until all cinders have thoroughly cooled.
- Do not store appliance with HOT ashes inside appliance. Store only when all surfaces are cold.
- When using electrical appliances, basic safety precautions should always be followed including the following: 1) Do not plug in the appliance until fully assembled and ready for use. 2) Use only approved grounded electrical outlet. 3) Do not use during an electrical storm. 4) Do not expose appliance to rain or water at anytime.



WARNINGS AND IMPORTANT SAFEGUARDS

- To protect against electrical shock do not immerse cord, plug or control panel in water or other liquid.
- Do not operate any appliance with a damaged cord or plug, or after appliance malfunctions or has been damaged in any manner.
- Extension cords may be used if care is exercised in their use.
- If an extension cord is used: 1. The marked electrical rating of the extension cord should be at least as great as the electrical rating of the appliance; and 2. The cord should be arranged so that it will not drape over a counter top or tabletop where it can be pulled by children or tripped over unintentionally.
- The extension cord must be a grounding-type 3-wire cord.
- Outdoor extension cords must be used with outdoor use products and are marked with suffix "W" and with the statement "Suitable for Use with Outdoor Appliances."
- CAUTION - To reduce the risk of electric shock, keep extension cord connection dry and off the ground.
- Do not let cord hang on or touch hot surfaces.
- Do not place cord on or near a hot gas or electric burner, or in a heated oven.
- Fuel, such as charcoal briquettes, wood chips or chunks, or heating fuel pellets, are not to be used in the appliance.
- To disconnect, turn controller "OFF" then remove plug from outlet.
- Unplug from outlet when not in use and before cleaning. Allow appliance to cool completely before adding/removing racks, grease deflector or water tray.
- Do not clean this product with a water sprayer or the like.
- Always operate grill on a level surface.
- You must only use all natural wood pellets that have been designed for burning in pellet barbecue grills. Do not use pellet fuel with additives.



ELECTRIC REQUIREMENTS

- USA/CA 100-120VAC, 5AMP, 50/60HZ, 120W, 3-Prong Grounded Plug.

⚠️ WARNINGS AND IMPORTANT SAFEGUARDS

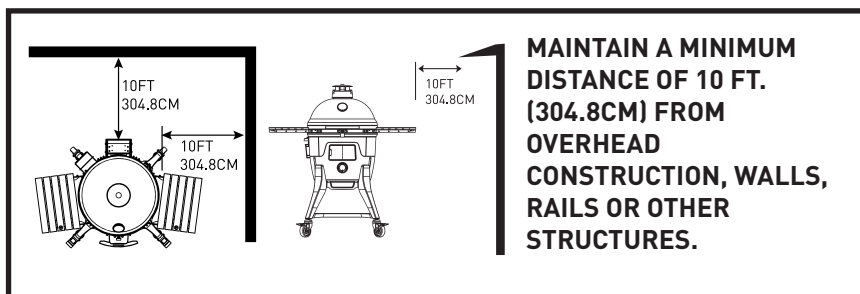
⚠️ CREOSOTE - FORMATION AND NEED FOR REMOVAL.

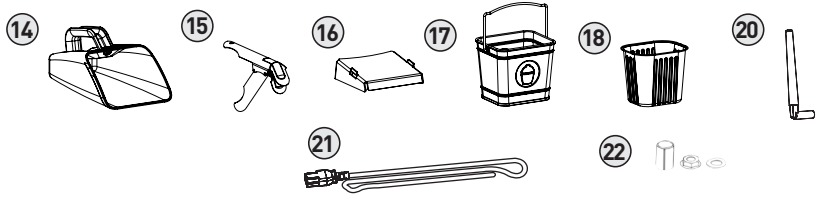
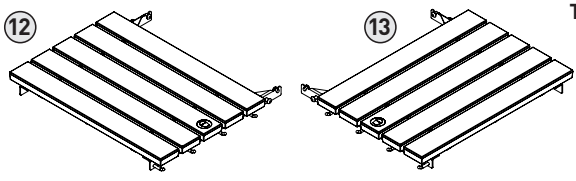
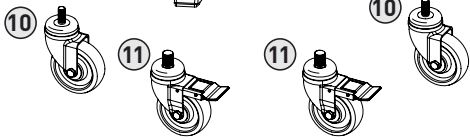
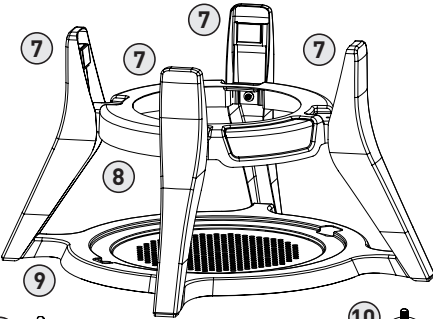
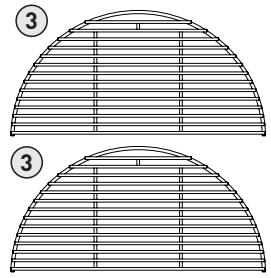
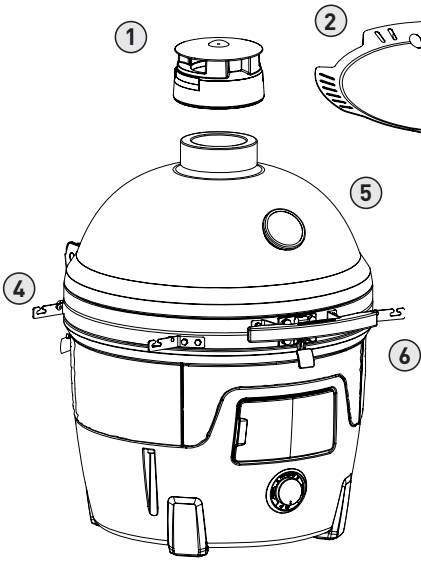
When wood pellets are burned slowly, they produce tar and other organic vapors that combine with expelled moisture to form creosote. The creosote vapors condense in the relatively cool air damper exhaust of a slow burning fire. As a result, creosote accumulates on the air damper and grill lining. When ignited, this creosote makes an extremely hot fire. The drip tray should be inspected often for signs of grease buildup. When creosote or grease has accumulated, it should be removed to reduce the risk of fire.

WARNING! It is important to follow these steps if, at any time, the smoker fails to light, or the fire in the crucible goes out while cooking or smoking, when sufficient pellets are still in the pellet hopper. Failure to do so may cause a hazardous “over-firing” of your grill due to an excess of unburned pellets in the crucible.

- 1) Turn the ON/OFF dial to turn OFF the grill. Once the fan has stopped, unplug the power cord. If the grill is still hot, allow it to thoroughly cool. Open the lid and remove all food, all grates, drip tray and the heat deflector.
- 2) **WARNING!** Remove all unburned pellets and ash from inside and around the crucible (see instructions for proper handling and disposal of ash in **CLEANING and CARE INSTRUCTIONS**).
- 3) Before replacing the heat deflector, drip tray and all grates, plug the power cord into an appropriate, grounded electrical outlet and restart the grill. Pellets should fall into the crucible and the element should begin to heat **CAUTION!** Do not touch it.
- 4) If this procedure is successful, you will soon see flames come out of the crucible. Then turn the ON/OFF dial to turn OFF the grill. Let the grill cool down. Position the heat deflector, the drip tray and grates in their proper locations. Turn the ON/OFF dial to ON position. Set the temperature. In approximately 2 minutes you will notice whitish-gray smoke coming out of the grill as the pellets ignite.

SAVE THESE INSTRUCTIONS





1. PELLET JOE TOP VENT (1)
2. DRIP TRAY (1)
3. HALF GRATES (2)
4. SIDE SHELF BRACKETS (4)
5. PELLET JOE ASSEMBLY (1)
6. FRONT HANDLE (1)
7. LEGS (4)
8. TOP PLATE (1)
9. BOTTOM PLATE (1)
10. CASTERS (2)
11. LOCKING CASTERS (2)
12. LEFT SIDE SHELF (1)
13. RIGHT SIDE SHELF (1)
14. PELLET SCOOP (1)
15. GRATE GRIPPER TOOL (1)
16. GREASE ROOF (1)
17. GREASE BUCKET (1)
18. FOIL GREASE BUCKET LINER (3)
19. MEAT PROBE (2)
20. WIFI ANTENNA (1)
21. POWER CORD (1)
22. HINGE DISENGAGEMENT TOOL KIT (1)

Grill Set-Up

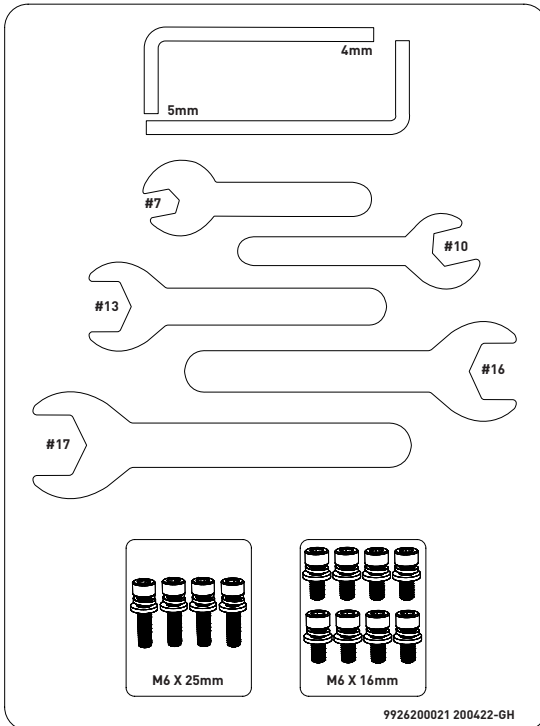
PELLET JOE GRILL

- 1 Due to the weight of this grill, we highly recommend two people lift the grill. Do NOT lift the grill by the side shelf tabs. Use the rear hinge and front hopper opening as lifting points.
- 2 Remove the plastic wrapping from the base of the grill cart.
- 3 Assemble the grill cart and lock the casters on the grill cart.
- 4 With the same lifting technique used previously, lift the grill into the cart. Adjust the grill in the cart so the pellet hopper is facing the front of the cart. The front side of the cart is the side with the two locking casters.

UNBOXING YOUR GRILL

1. Assemble the grill cart and lock the front casters on the grill cart. See assembly steps 1 - 3.
2. Due to the weight of this grill, it is recommended two people lift the grill. Use the rear hinge and front hopper opening as lifting points. Pull out the pellet load chute and use the hopper opening.
3. Place the grill in the cart so the pellet hopper is facing the front. The front side of the cart is the side with the two locking casters.

Hardware



1

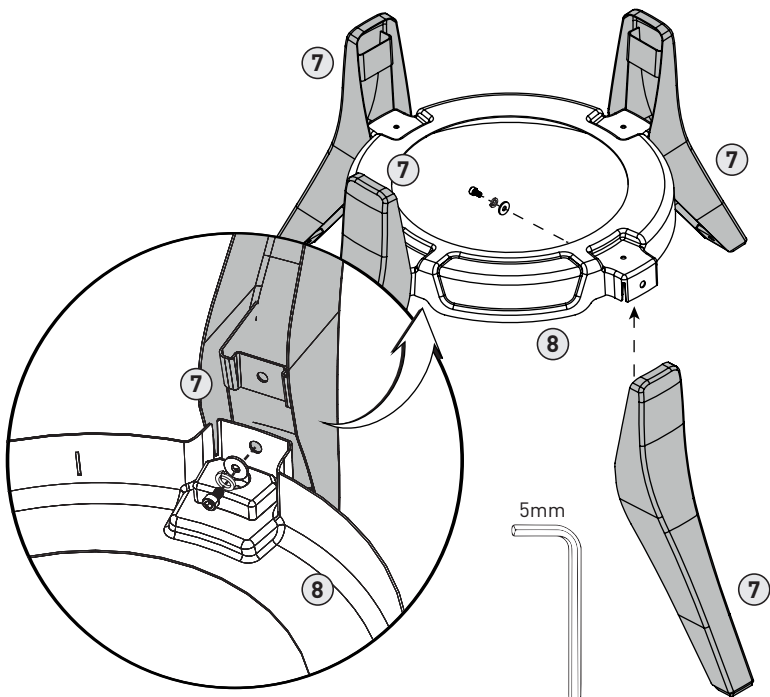
M6X16
X4



M6
X4



M6
X4



2

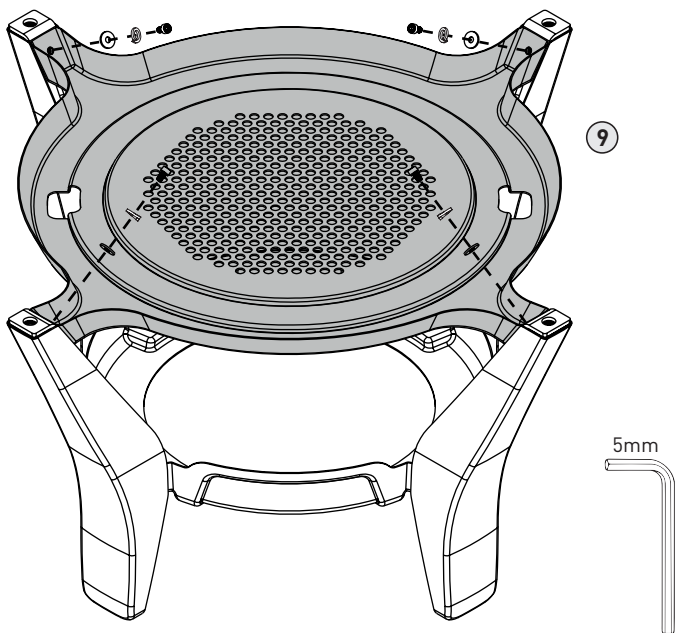
M6X16
X4

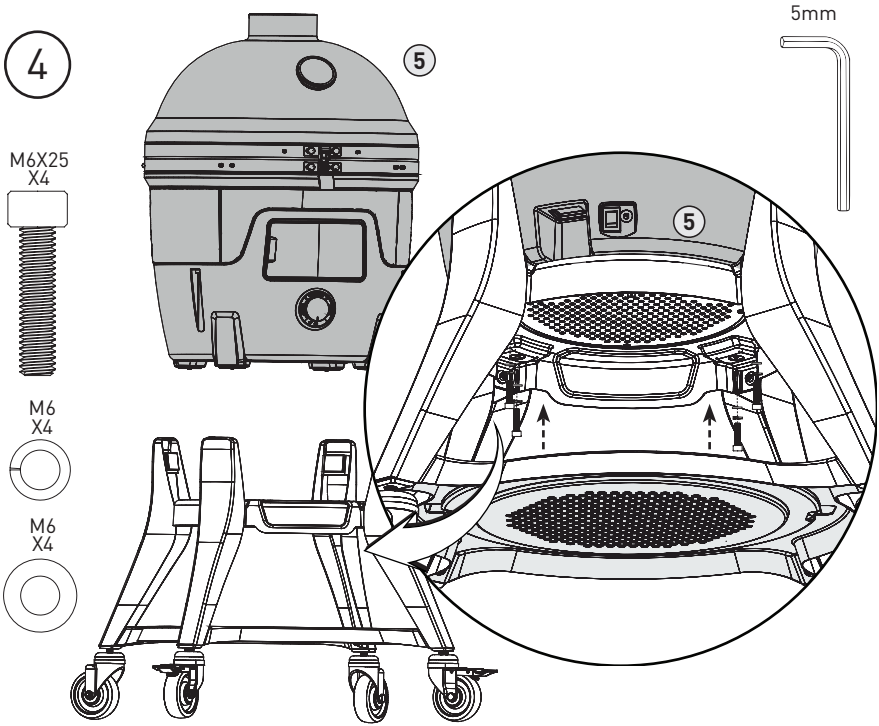
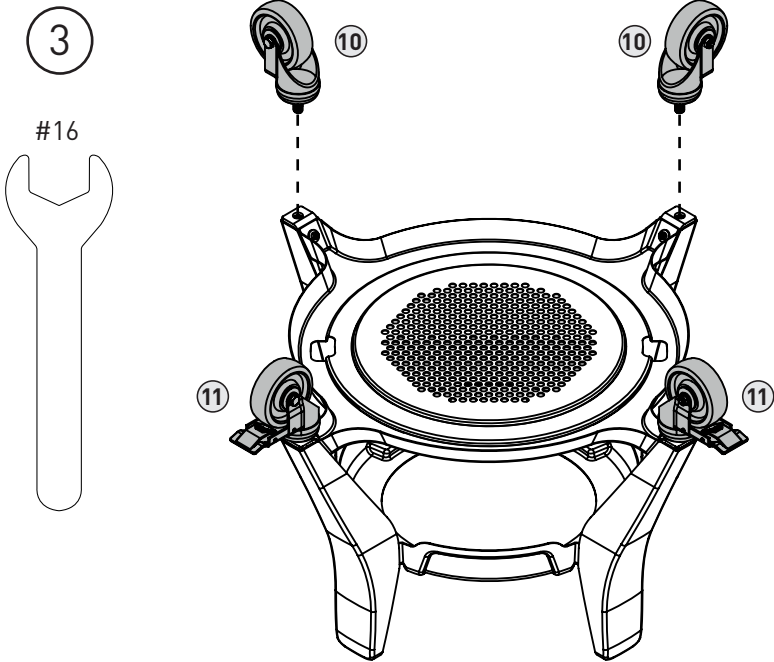


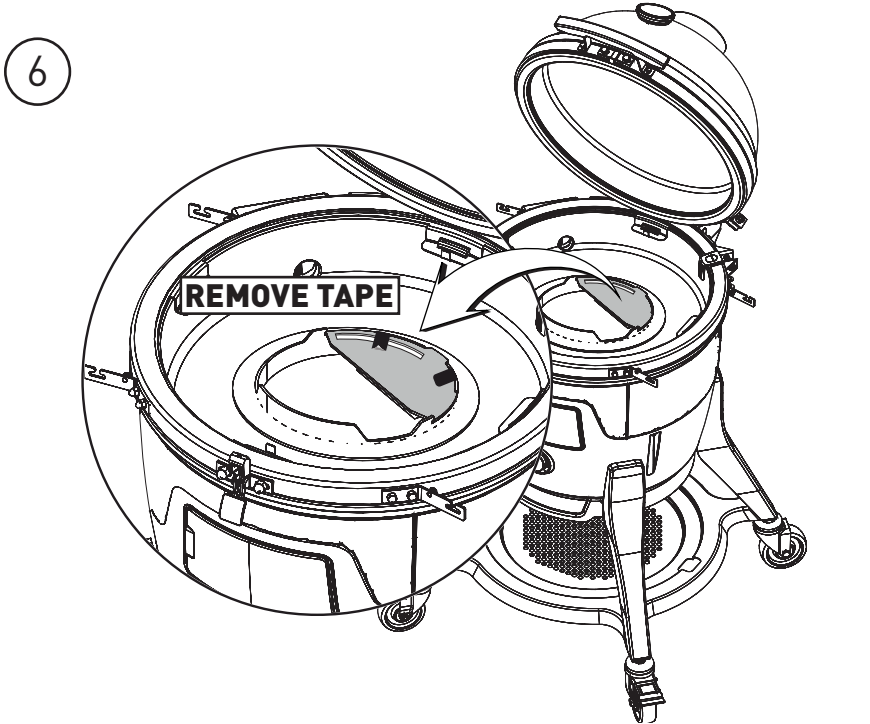
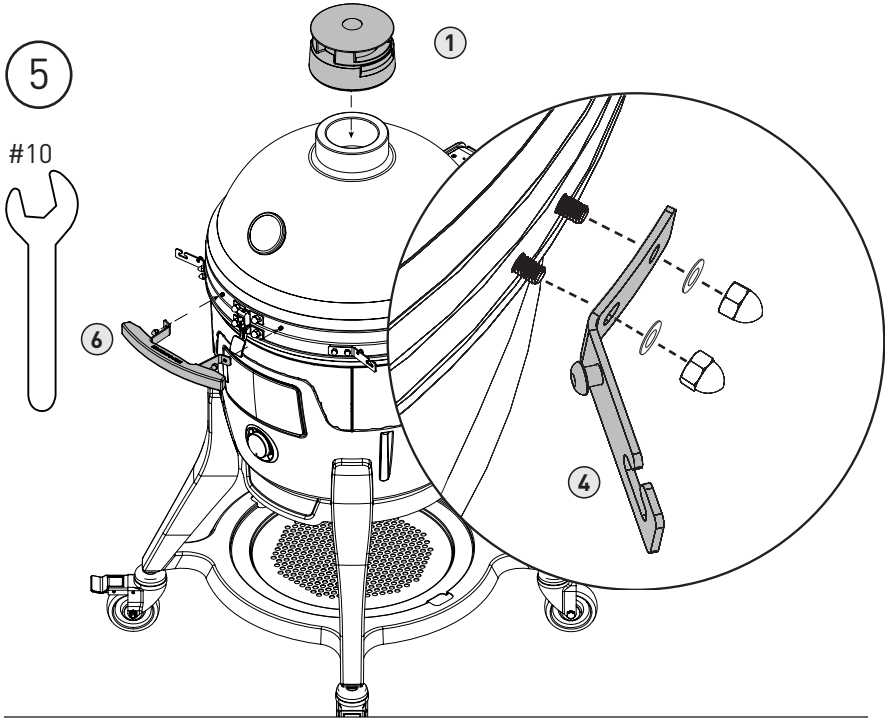
M6
X4

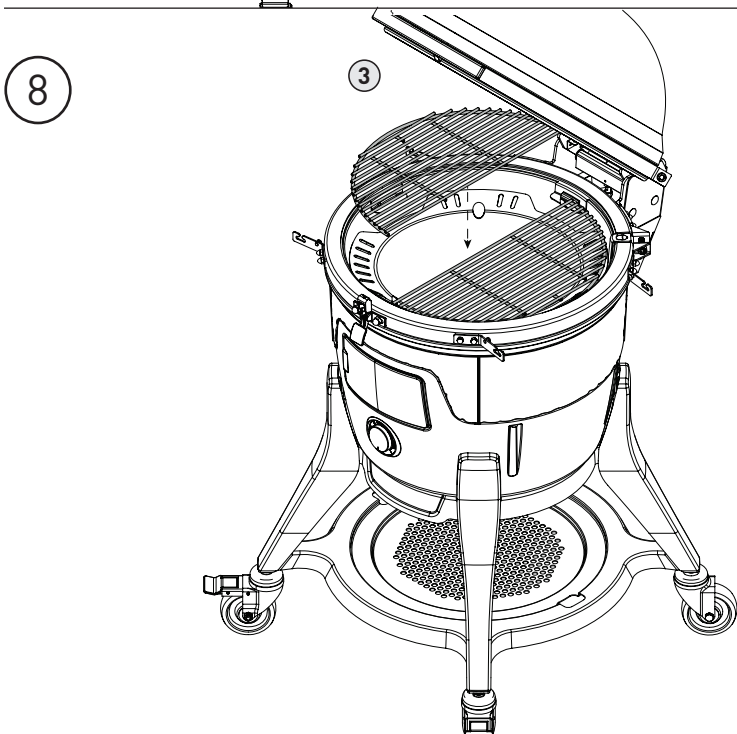
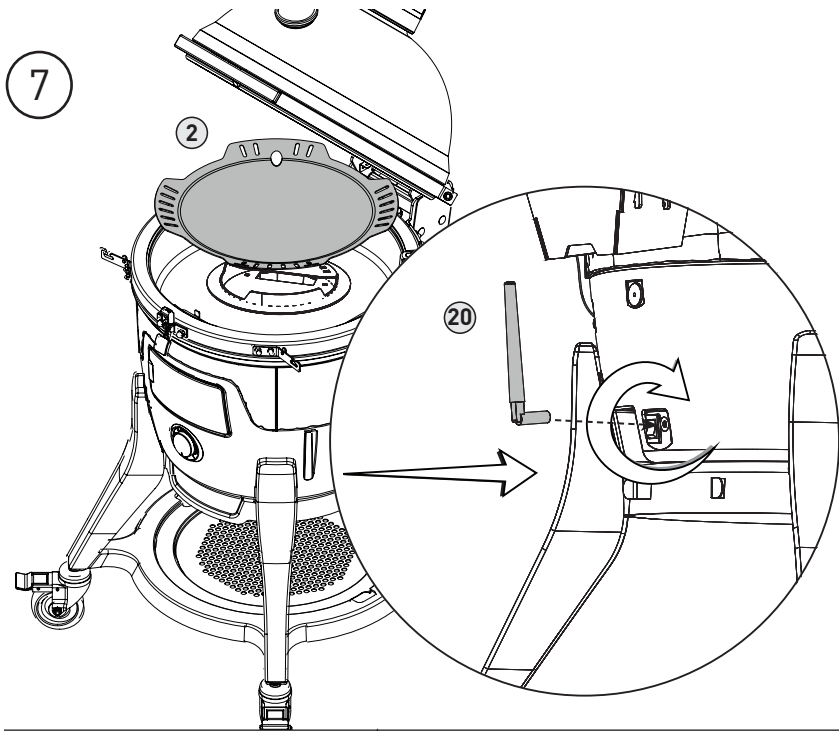


M6
X4







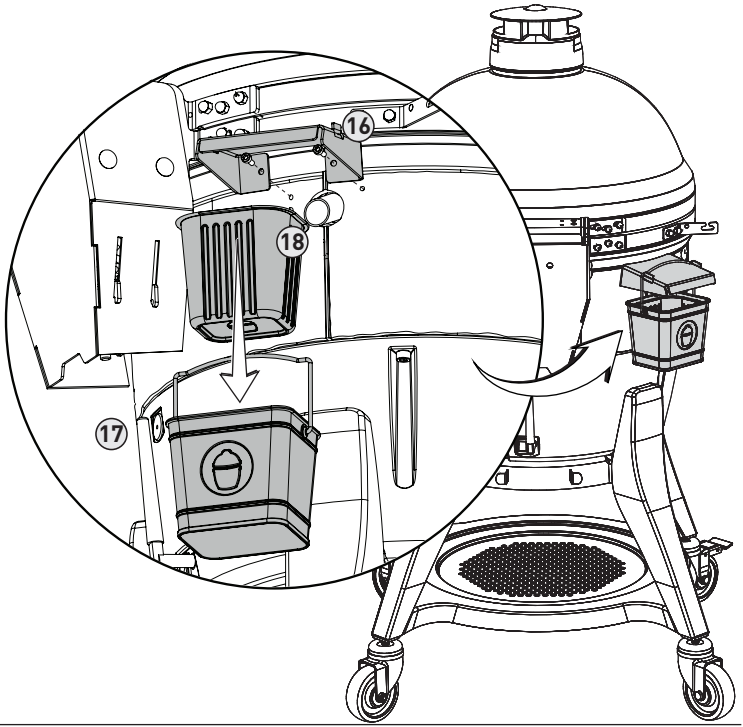
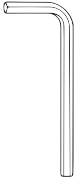


9

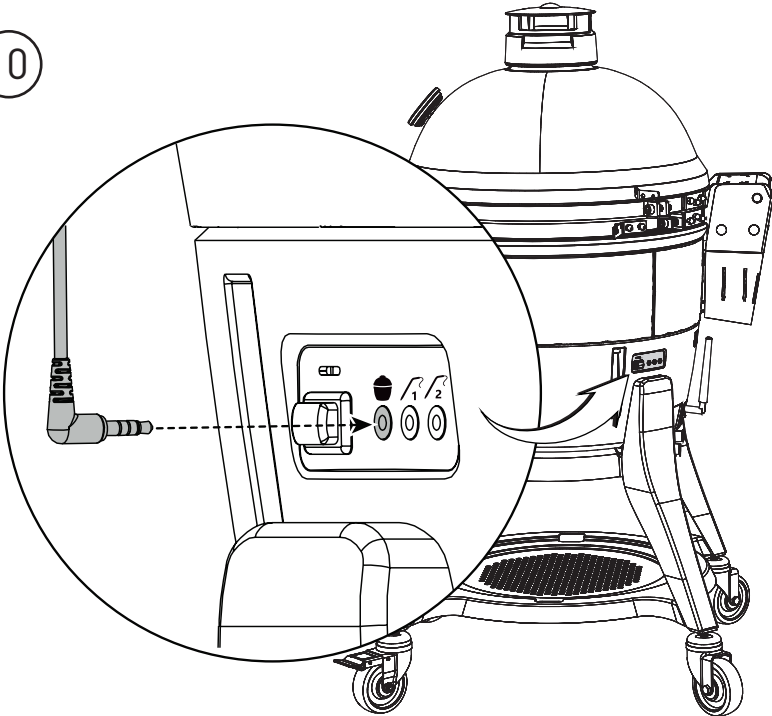
M5X10
X2



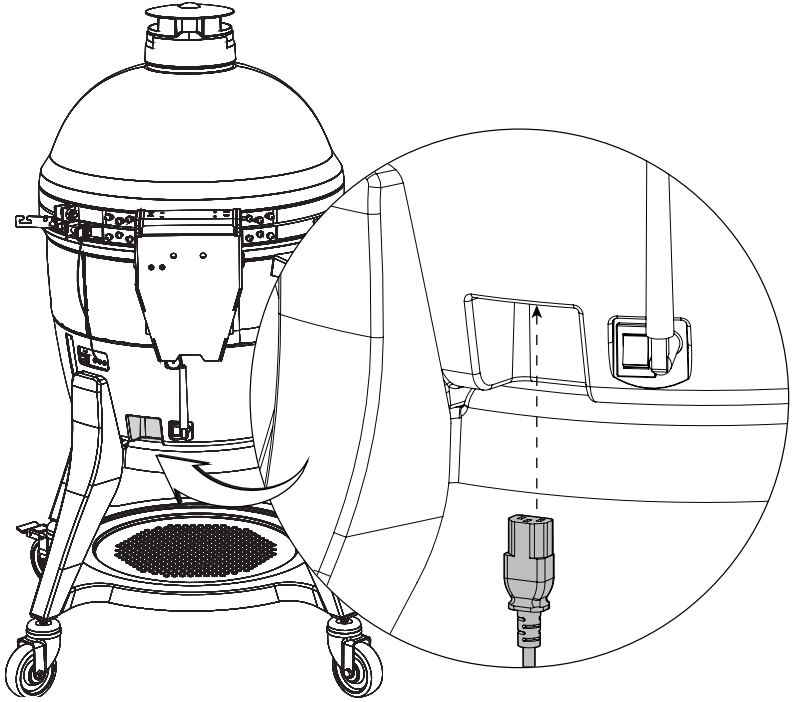
4mm



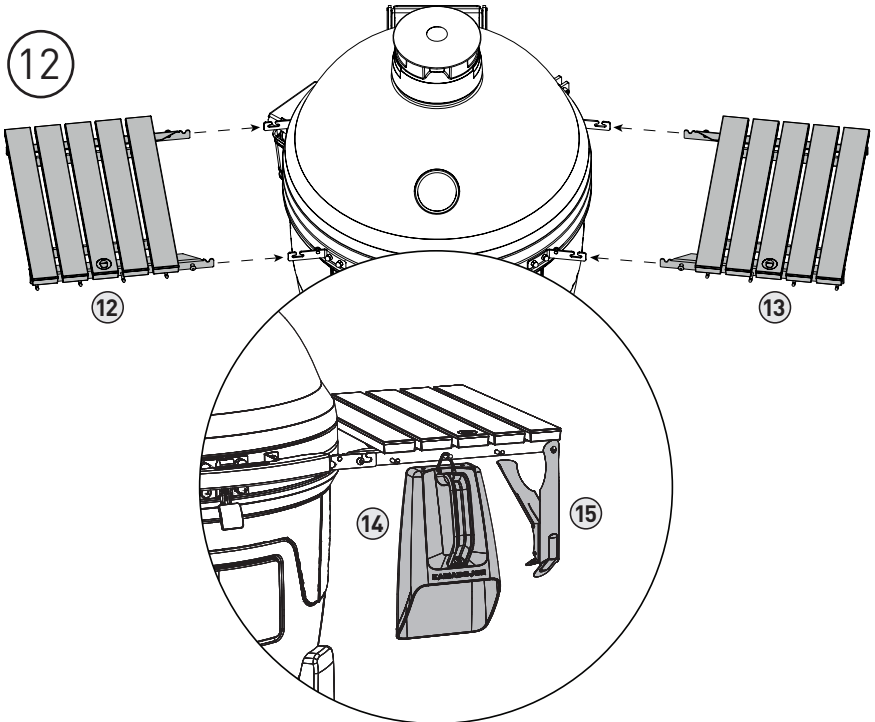
10



11



12



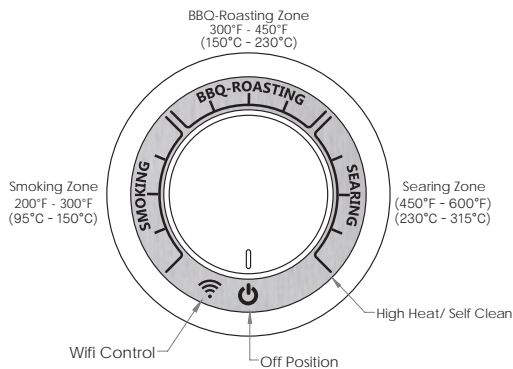
Quick Start Guide

OPERATING YOUR PELLET JOE

- 1 Before turning the grill on, fill the hopper with up to 10lbs. of food grade wood pellets.
- 2 To turn the grill on, plug it in and flip the switch on the back of the grill.
A status light will illuminate near the Probe Ports on the back of the grill.
- 3 Turn the front knob to the desired temperature or, turn the knob to the wifi setting to control wirelessly via the app. If the knob is not turned to wifi, the app will not be able to control the grill.
- 4 ALWAYS KEEP TOP VENT IN OPEN POSITION WHEN OPERATING THE GRILL.
- 5 Vent should be opened anytime the grills ON.
- 6 Once cooking is complete turn the knob to the off position. Do not unplug or power off the grill at this time. The grill is off, but the fan will continue to run for 15 minutes. This will prevent any burn back in the auger. Once the fan has automatically shut off, flip the switch on the back of the grill. Once the grill has cooled, unplug the grill, cover, and store in dry environment.
- 7 Close vent after grill is OFF and has completed the shutdown sequence.
- 8 Always store pellets in a cool dry place. Any contact or exposure to moisture will result in lower heat output or cause the pellets to swell and break apart. Use a moisture proof, resealable tub or bucket for proper storage.
- 9 If the grill is stored outside during the rainy season or seasons of high humidity, care should be taken to insure that water does not get into the hopper. When wet or exposed to high humidity, wood pellets will expand greatly, decompose, and may jam the feed system. Always disconnect the power, before performing any service or maintenance.

ADDITIONAL INFO:

- 1 Hopper door must be closed in order for the Pellet Joe to run.
- 2 The Pellet Joe takes approximately 10 minutes for the pellets to fully ignite. An additional 10 minutes is required to reach the set temperature.
- 3 Convecting air can cause the temperature on the Lid Thermometer to vary slightly from the set temperature.
- 4 Never open grill lid while the grill smoking heavily, this could cause the pellets suddenly ignite which could result in injury. Keeping the lid closed will control and contain the pellet ignition.
- 5 Clean-burning barbecue wood pellets generate about 8200 BTU's per pound with very little ash, a low moisture content (5-7%), and are carbon neutral.



WiFi

DEVICE PROVISIONING

1. Download the Kamado Joe app from the Apple App Store or Google Play Store onto your smart device(s).
2. Once the download is complete, open the Kamado Joe app and follow the instructions for provisioning grill and smart device(s).

USING WIFI TO CONTROL GRILL

1. Rotate the front knob to the wifi setting. [see figure 2] if the knob is not turned to wifi, the app will not be able to control the grill.
2. Follow in app directions.

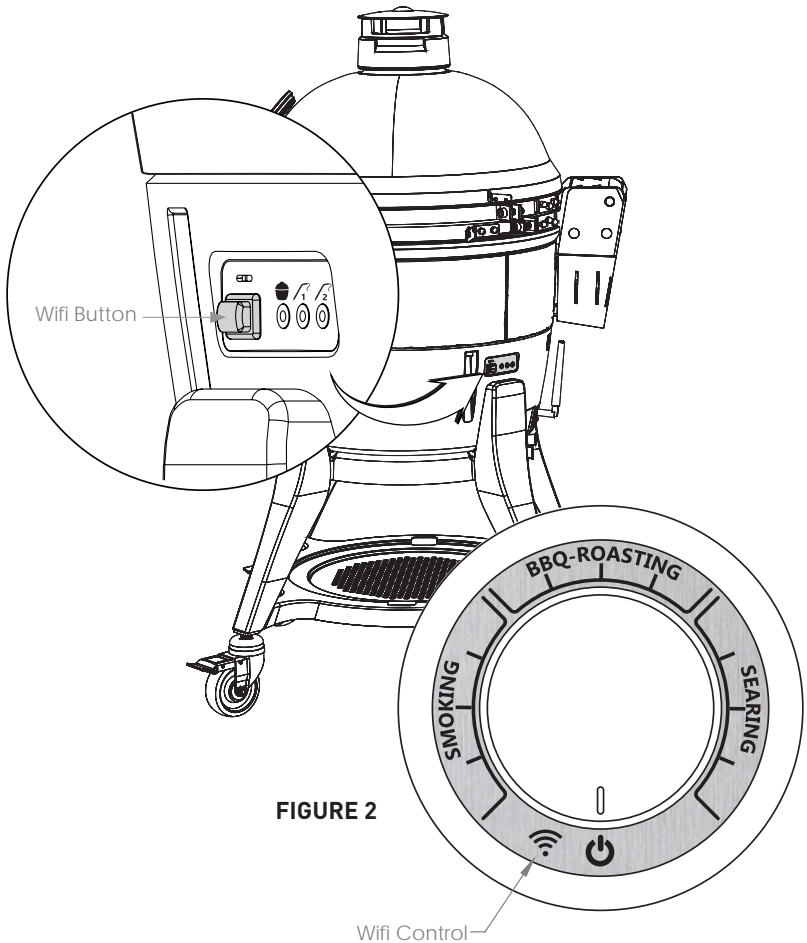


FIGURE 2

Classic Air Lift Hinge Adjustments

The Air Lift Hinge on your Pellet Joe is already pre-adjusted for ideal balance and stability. Follow these instructions for any additional adjustment to suit your personal preferences.

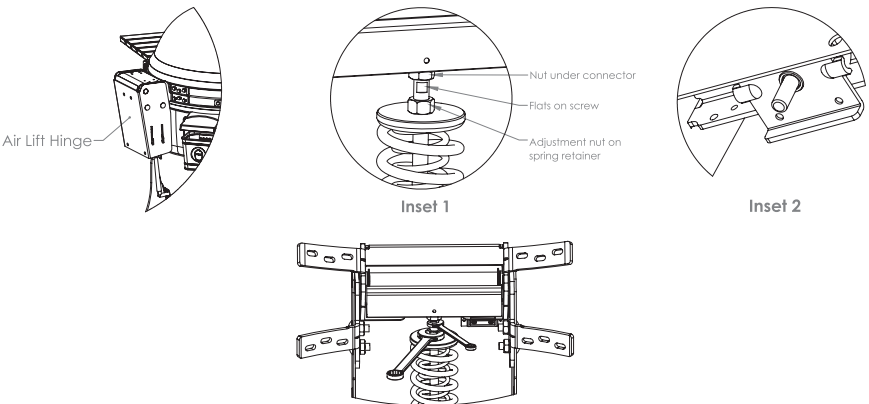
Caution: Air Lift Hinge under high tension.

PELLET JOE HINGE

- 1 Open the dome of your Pellet Joe grill.
- 2 With the dome open, place wrench on the flats on the screw (see Inset 1). If your unit does not have the flats, place a socket wrench on the bottom end of the screw instead wrench (see Inset 2).
- 3 Place wrench on the nut on top of the spring retainer (see Inset 1).
- 4 To make the dome easier to raise, hold one wrench stationary and rotate the other wrench clockwise as shown. Remove the wrenches and check the dome action for every full rotation of the nut. If you want the dome to feel heavier, rotate the nut counter-clockwise. Remove the wrenches and check the dome action for every full rotation of the nut. Do not adjust the nut so that it contacts the nut under the connector (see Inset 1).

HINGE SAFETY INFORMATION

Do not attempt to disassemble the hinge from your grill without the proper hardware. If attempting to use the hinge as a lifting point, grasp the hinge near the mounting point and/or bands, not the bottom. Only minor adjustments to the weight of the dome should be made per the instructions on the previous page.

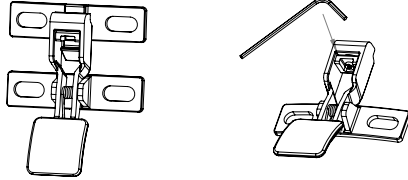


Latch Adjustments

The latch on your Pellet Joe is already preset for an ultra-tight seal. Use these instructions if any adjustments should be needed.

PELLET JOE LATCH

To tighten and loosen the latch setting, use a small Allen wrench. Adjust the set screw to lower the latch plate and add the spacer. Once the spacer is added, reinstall the latch plate by tightening the set screw.



Safety Information

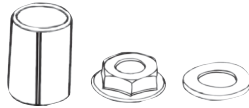
CAUTION

Hinge and band is under high tension, failure to follow instruction steps in order may result in severe injury.

HINGE

Do not attempt to disassemble the hinge or loosen bands from your grill without the hinge disengagement tool kit.

NOTE: Hinge disengagement tool kit (spacer, washer, and hex nut are included). Store these parts in case the hinge needs to be removed later. The hinge cannot be removed safely without these parts.



Use the bottom face and the front lower vent opening as lifting points (Do not lift the grill by the hinge, bands brackets or handle as this could cause the dome to become dislodged from the band).

Only minor adjustments to the weight of the dome should be made per the instructions on page 18.

GASKET

Self-cleaning through natural heat cycle recommended.

Do not use chemical based cleaners on the gasket.

If absolutely necessary, gently wipe off any spills or moisture. Do not scrub or abrade the gasket if cleaning. Excessive rubbing can cause wear.

Cleaning & Care

We have designed and crafted your Pellet Joe grill with quality materials, so general care and maintenance is minimal. Do the easy, self-clean maintenance process regularly and be sure to protect your Pellet Joe from the elements with a grill cover.

MAINTENANCE CLEANING

- 1 Make sure that the heat deflector and drip tray are in place.
- 2 Turn the knob to the highest heat setting and allow the temperature inside the grill to rise to at least 600°F (315°C) with the dome closed.
- 3 Hold the temperature at around 600°F (315°C) for 10 minutes.
- 4 Turn the knob to the OFF position.

This self-cleaning process will burn off any unwanted residue from the inside of the grill and drip tray. Before cooking again, brush the the cooking grate with a standard grill brush. Use a soft bristle brush on the ceramics, drip tray, and heat deflector to remove any residue.

GENERAL CLEANING

After every cook, there may be ashes left inside the grill from the burning of pellets. Use a vacuum to clean the inside of the grill after every cook. **ONLY** do this when the grill is completely cool.

Once or twice a year, you should do a more thorough cleaning of the inside of the grill. Remove the internal components and remove any residual ash or debris that has collected between the grill body and the internal components. Use a plastic bristle brush to clean the inside ceramic surface and scoop or vacuum debris from the bottom of the grill before replacing the internal components. Empty the hopper. Vacuum all the pellet debris that have collected inside the hopper.

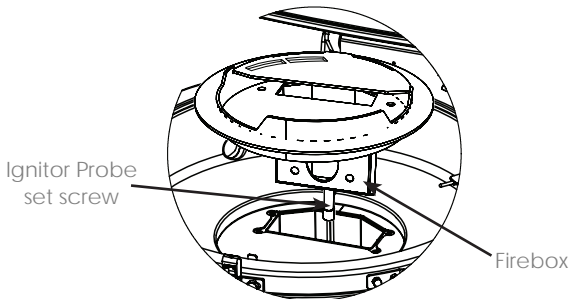
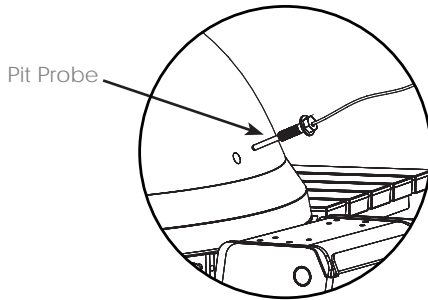
Part Replacement

PIT PROBE REPLACEMENT

- 1 Remove the damaged probe, reinstall the Pit probe.
- 2 Make sure to plug the new probe into the corresponding probe port behind the grill.

IGNITOR PROBE REPLACEMENT

- 1 Remove the two thumb screws that secure the firebox.
- 2 Lift out the firebox and unscrew the small set-screw underneath the firebox. Reach into the grill crucible area and un-clip the igniter wire
- 3 Replace the damaged ignitor probe, tighten the set screw, and secure the firebox. Igniter should protrude into the firebox by 3/4" (20MM)



Troubleshooting

If something goes wrong, the LED near the probe ports will flash a specific color or an alarm will sound, corresponding to one of the error codes below. These codes will also display in the app.

Symptom	Color	Alarm	Cause	Possible Solution
Err 1	SOLID RED	ON	Pit Probe is not connected	<ol style="list-style-type: none"> 1. Check connection is fully seated. 2. Unplug pit probe from grill, wait 10 seconds and reconnect. 3. Pit Probe is defective. Please contact Customer Service.
Err 2	FLASHING RED & YELLOW	OFF	Meat Probe Malfunction	<ol style="list-style-type: none"> 1. Meat probe damaged or over heated, replace meat probe.
Err 3	FLASHING RED	ON	Grill overheated. Pit Probe reached temperature greater than 800F.	<ol style="list-style-type: none"> 1. Fan will run at 50%, auger will remain off until set temperature is reached. 2. Turn off your grill by turning the control dial to the OFF position. 3. Check for potential cause of overheat. <ul style="list-style-type: none"> *Grease fire *Too many pellets in the crucible 4. Restart the grill.
Err 4	SOLID YELLOW	ON 5 Minutes	Pit Probe has not reached 150F in 20 minutes.	<p>Your grill needs 3 things to start a cook:</p> <ul style="list-style-type: none"> *Air (oxygen) *Fuel (pellets) *Heat (smoke or fire) <ol style="list-style-type: none"> 1. Once grill has cooled and is safe to touch, remove the cooking surface and drip tray assembly from the grill. Remove the heat deflector. Look in to the firebox to ensure the firebox is clean and there is full visibility of the ignitor element. 2. Ensure pellet hopper is full of pellets and grill is powered on (plugged in, switched on, and your control dial is set to high heat). 3. Turn control dial to high heat. Look in to firebox carefully, to see if pellets are dropping in to the firebox (fuel). Feet 3 inches above firebox to ensure fan is on and blowing air through fire box (oxygen). Smell the air for smoke or look for visual signs of smoke or fire (heat). 4. If your grill is not heating, check ignitor connection, or change out the ignitor element. 5. If pellets are not dropping into the crucible, check for jams in the auger, check auger connections, or replace auger motor. 6. If the fan is not blowing air, check connections for fan, or replace fan.
Err 5	FLASHING GREEN & YELLOW	OFF	Meat Probe temperature is greater than 300F.	<ol style="list-style-type: none"> 1. Using protective gloves, remove meat probe from grill. 2. Unplug meat probe from controller. 3. Allow meat probe to cool before plugging back in.
Err 6	SOLID PURPLE	OFF	Hopper Door is open. Auger motor and pellet agitators will not operate while hopper door is open.	<ol style="list-style-type: none"> 1. Shut hopper door. 2. Check connection for hopper door. 3. Replace hopper door switch.
Err 7	FLASHING YELLOW	ON	Auger has sensed a pellet jam and is attempting to remove the jam. Grill will try to unjam twice, then will enter shut down sequence.	<ol style="list-style-type: none"> 1. If your grill has entered shut down sequence, allow it to cool completely. 2. Try to remove jam in auger by removing all pellets from pellet hopper, then turn the grill off and back on with the hopper door closed. 3. If you cannot remove the jam from the auger, take your grill apart to remove the auger and clean. *See detailed instructions on how to do this here: www.kamadojoe.com/pages/support
Err 8	FLASHING PURPLE	ON	Fan is blocked.	<ol style="list-style-type: none"> 1. Make sure the grill does not have anything blocking the lower air intake grate on the bottom of grill. 2. Make sure top vent is in the open position. 3. Check connections for fan.
Err 9	FLASHING BLUE THEN YELLOW	ON	Agitator is jammed and not able to turn.	<ol style="list-style-type: none"> 1. Remove any jammed pellets around agitator arms to fix jamming issue.
Err 10	FLASHING BLUE	OFF	Weak WiFi signal.	<ol style="list-style-type: none"> 1. Angle the antenna on back of the grill to point at the ground.
Err 11	FLASHING GREEN	5 BEEPS WHEN COMPLETE	Grill is updating firmware. Please allow grill to finish update before continuing to use.	<ol style="list-style-type: none"> 1. Do not try and cook while the grill is updating. 2. Grill needs to complete the update before you can continue cooking.
Err 12	FLASHING PURPLE & YELLOW	ON	Grill could not complete the firmware update.	<ol style="list-style-type: none"> 1. Turn grill off to allow the grill to reboot with the old firmware. 2. Turn grill back on and try to update again.
EXCESSIVE SMOKING		OFF	Grill may be preheating.	<ol style="list-style-type: none"> 1. Pellets will cause a large amount of smoke in the ignition process. 2. Please allow the grill to reach set temperature before adding food. 3. If excessive smoke continues, restart your grill.
MANUAL MODE ENABLED	SOLID GREEN	OFF	Grill is in manual cook mode. Lid is open.	<ol style="list-style-type: none"> 1. The grill is operating in manual cook mode. 2. The grill is cooking at the selected temperature on the control dial 3. You cannot use the app to set the grill temperature in manual mode.
WiFi MODE ENABLED	SOLID BLUE	OFF	Grill is in WiFi Mode.	<ol style="list-style-type: none"> 1. Use the app to control the temperature of the grill. 2. The grill is cooking at the set temperature in the app. 3. If you do not wish to use the app, put your grill in manual mode by selecting a temperature on the control dial.

FIRE IT UP.

SLOW IT DOWN.

KAMADOJOE.COM

MODE D'EMPLOI DE PELLET JOE

UN GUIDE POUR LA CUISSON SUR UN BARBECUE KAMADO JOE



PELLETJOE


Table des matières

Avertissements	2
Liste des pièces et des outils requis	8
Instructions d'installation du barbecue	9
Instructions d'assemblage	10
Guide de démarrage rapide	16
WiFi	17
Ajustement de la charnière « Air Lift »	18
Ajustement du loquet	19
Nettoyage et entretien	20
Remplacement des pièces	21
Dépannage	22

LES GRANULES NE SONT PAS FOURNIES.

AVERTISSEMENT

- Ce manuel contient des informations qui sont nécessaires pour une utilisation sûre et appropriée de cet appareil.
- **LISEZ ET SUIVEZ LA TOTALITÉ DES AVERTISSEMENTS ET DES INSTRUCTIONS FOURNIS AVANT D'ASSEMBLER ET D'UTILISER L'APPAREIL.**
- **CONSERVEZ CE MANUEL POUR RÉFÉRENCE ULTÉRIEURE.**
- Prenez contact avec votre service du bâtiment ou votre service d'incendie pour connaître les restrictions et les exigences d'inspection de l'installation de votre municipalité.

 **À défaut de suivre ces instructions, un incendie, une explosion ou des brûlures pourraient survenir, entraînant des dommages matériels ou des blessures, voire la mort.**

DANGER LIÉ AU MONOXYDE DE CARBONE

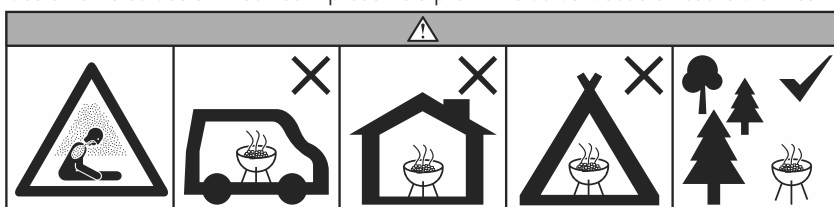
La combustion de granules dégage du monoxyde de carbone qui n'a pas d'odeur et peut causer la mort. Utilisez uniquement à l'extérieur avec de bonnes conditions de ventilation. Respectez ces directives pour empêcher ce gaz incolore et inodore de vous empoisonner, vous, votre famille ou d'autres personnes.

- Connaissez les symptômes de l'empoisonnement au monoxyde de carbone : maux de tête, étourdissements, faiblesse, nausées, vomissements, somnolence et confusion. Le monoxyde de carbone réduit la capacité du sang à transporter de l'oxygène. De faibles niveaux d'oxygène dans le sang peuvent entraîner une perte de conscience et la mort.
- Consultez un médecin si d'autres personnes ou vous développez des symptômes du rhume ou de la grippe pendant que vous cuisinez ou vous vous trouvez près de cet appareil. L'empoisonnement au monoxyde de carbone, que l'on peut facilement méprendre pour un rhume ou une grippe, est souvent détecté trop tard.
- La consommation d'alcool et de drogues aggrave les effets de l'empoisonnement au monoxyde de carbone.
- Le monoxyde de carbone est particulièrement toxique pour la mère et l'enfant pendant la grossesse, les bébés, les personnes âgées, les fumeurs et les personnes ayant des troubles sanguins ou circulatoires, par exemple l'asthme ou une maladie cardiaque.



AVERTISSEMENTS ET MISES EN GARDE IMPORTANTES LISEZ TOUTES LES INSTRUCTIONS

- **AVERTISSEMENT !** Ce barbecue deviendra très chaud. Ne pas le déplacer pendant qu'il fonctionne.
- **AVERTISSEMENT !** Ne pas utiliser à l'intérieur !
- **AVERTISSEMENT !** Ne jamais utiliser de combustible pour lanternes de type essence, de kérosène, de liquide d'allumage pour charbon ou de liquides semblables pour allumer ou maintenir un feu dans ce barbecue. Garder tous ces liquides loin du barbecue pendant l'utilisation de celui-ci.
- **AVERTISSEMENT !** Garder les enfants et les animaux à distance du barbecue en tout temps. Ne PAS laisser les enfants utiliser le barbecue. Une surveillance attentive est nécessaire si des enfants ou des animaux sont présents à proximité du barbecue en cours d'utilisation.



• LE NON-RESPECT DES DÉGAGEMENTS (ESPACES LIBRES) REQUIS POUR LES MATÉRIEAUX COMBUSTIBLES EST L'UNE DES PRINCIPALES CAUSES D'INCENDIE. IL EST EXTREMEMENT IMPORTANT D'INSTALLER CE PRODUIT CONFORMÈMENT À CES INSTRUCTIONS SEULEMENT.

- Ne pas utiliser le barbecue dans un espace clos ou habitable, par exemple une maison, une tente, une roulotte, une maison mobile ou un bateau. Danger de décès causé par l'empoisonnement au monoxyde de carbone.
- Toujours utiliser le barbecue conformément à tous les codes d'incendie locaux applicables.
- Avant toute utilisation, vérifier la totalité des écrous, des vis et des boulons afin de vous assurer qu'ils sont bien serrés.
- Ne jamais faire fonctionner le barbecue sous une structure surélevée comme une couverture, un abri d'auto, une marquise ou un porte-à-faux.
- Ce barbecue est conçu pour une UTILISATION À L'EXTÉRIEUR SEULEMENT.
- Garder une distance minimale de 3 m entre l'appareil et tout matériau combustible comme le bois, les plantes sèches, le gazon, la broussaille, le papier ou la toile. Des cordons de rallonge peuvent être utilisés en faisant preuve de prudence (voir page 7).



AVERTISSEMENTS ET MISES EN GARDE IMPORTANTES

- Utiliser le barbecue uniquement pour la fonction pour laquelle il a été conçu. Ce barbecue n'est PAS destiné à une utilisation commerciale.
- Les accessoires accessoires qui ne sont pas expressément conçus pour ce gril ne sont PAS recommandés et peuvent provoquer des blessures.
- La consommation d'alcool ou de médicaments, sous ordonnance ou en vente libre, peut affecter la capacité de l'utilisateur à assembler le barbecue ou à le faire fonctionner de manière sûre.
- Conserver un extincteur accessible à tout moment pendant le fonctionnement du barbecue.
- Lorsque vous cuisez des aliments avec de l'huile ou de la graisse, ayez un extincteur de type BC ou ABC à portée de main.
- En cas de feu d'huile ou de graisse, ne pas tenter de l'éteindre avec de l'eau. Appeler immédiatement le service d'incendie. Un extincteur de type BC ou ABC peut parfois confiner l'incendie.
- Utiliser le barbecue sur une surface stable, plate et non combustible, comme la terre battue, le béton, la brique ou la pierre. Il est possible qu'une surface asphaltée ne convienne pas.
- Le barbecue DOIT être posé sur le sol. Ne pas poser le barbecue sur une table ou un comptoir.
NE PAS déplacer le barbecue sur des surfaces inégales.
- Ne pas utiliser le barbecue sur une surface en bois ou inflammable.
- Garder le barbecue à distance et libre de tout matériau combustible comme l'essence ou tout autre liquide ou gaz inflammable.
- Ne pas laisser le barbecue sans surveillance.
- Ne permettre à PERSONNE de mener des activités autour du barbecue pendant ou après son fonctionnement, tant qu'il n'a pas refroidi.
- Ne jamais mettre de verre, de plastique, ni de céramique dans le barbecue. Ne pas mettre d'articles de cuisine vides dans le barbecue pendant son utilisation.
- Ne jamais déplacer le barbecue pendant l'utilisation. Attendre que le barbecue ait refroidi complètement (température inférieure à 45 °C) avant de le déplacer ou de l'entreposer.
- Ne pas ranger le barbecue s'il contient des cendres ou des granules chauds. Ne le ranger qu'une fois que le feu est complètement éteint et que toutes les surfaces ont refroidi.
- Ne jamais utiliser le barbecue comme appareil de chauffage. Lire « DANGER LIÉ AU MONOXYDE DE CARBONE ».



AVERTISSEMENTS ET MISES EN GARDE IMPORTANTES

- Utiliser uniquement des granules de bois de qualité alimentaire. Ne jamais utiliser de granules de bois de chauffage contenant des additifs.
- Le barbecue est CHAUD en cours d'utilisation et restera CHAUD pendant un certain temps ensuite et pendant le refroidissement. Faites ATTENTION. Portez des gants de protection.
- NE PAS heurter ou bousculer le barbecue, car cela pourrait causer des blessures, endommager le barbecue ou renverser des liquides de cuisson chauds.
- Faites preuve de prudence lorsque vous retirez des aliments du barbecue. Toutes les surfaces sont CHAUDES et peuvent provoquer des brûlures. Utiliser des mitaines/gants de protection ou des ustensiles de cuisine robustes à long manche pour vous protéger des surfaces chaudes ou des éclaboussures provenant des liquides de cuisson.
- Ne pas toucher de surfaces CHAUDES.
- Le barbecue est CHAUD lorsqu'il est en marche. Pour éviter les brûlures, garder le visage et le corps loin des événements et du couvercle lorsque vous l'ouvrez. L'utilisation génère de la vapeur et de l'air chaud.
- Lorsque vous cuisinez à une température supérieure à 175 °C, ouvrez prudemment le barbecue (ou dépressurisez-le) chaque fois que vous ouvrez le dôme pour empêcher le retour de flamme, c'est-à-dire une vague de chaleur blanche causée par une ruée d'oxygène. Pour éviter une telle situation, ouvrir partiellement le couvercle de 5 à 8 cm et laisser la chaleur s'échapper pendant environ 5 secondes.
- Les entrées d'air sont CHAUDES pendant l'utilisation du barbecue et la période de refroidissement. Porter des gants de protection lorsque vous les ajustez.
- Le barbecue génère une flamme nue. Garder les mains, les cheveux et le visage à distance de la flamme. Les cheveux non attachés ou les vêtements amples peuvent s'enflammer.
- NE PAS obstruer la circulation des gaz de combustion ou les orifices de ventilation.
- Ne pas couvrir les grilles de cuisson avec des feuilles métalliques. Cela emprisonnerait la chaleur et pourrait endommager le barbecue.
- Toujours utiliser l'appareil conformément à tous les codes d'incendie locaux, applicables.
- Avant de jeter les cendres, elles devraient être mises dans un contenant métallique doté d'un couvercle hermétique. Le contenant fermé de cendres devrait être déposé sur un plancher non combustible ou sur le sol, loin de tout matériel combustible, en attente de l'élimination. Si les cendres sont enfouies dans le sol ou dispersées localement, elles doivent rester dans le contenant fermé jusqu'à ce que toutes les braises soient complètement refroidies.
- Ne pas ranger l'appareil avec des cendres CHAUDES présentes à l'intérieur. Procédez au rangement uniquement lorsque toutes les surfaces sont froides.
- Lorsque vous utilisez des appareils électriques, des précautions de sécurité



AVERTISSEMENTS ET MISES EN GARDE IMPORTANTES

de base doivent toujours être suivies, dont les suivantes : 1) Brancher l'appareil uniquement lorsqu'il est complètement assemblé et prêt à l'emploi. 2) N'utiliser qu'une prise électrique mise à la terre approuvée. 3) Ne pas utiliser l'appareil pendant un orage électrique. 4) Ne jamais exposer l'appareil à la pluie ou à l'eau.

- Pour vous protéger contre les chocs électriques, ne pas immerger le cordon, les fiches ou une partie du panneau de commande dans de l'eau ou d'autres liquides.
- Ne pas faire fonctionner d'appareil avec une fiche ou un cordon d'alimentation endommagé, après qu'il a présenté un dysfonctionnement ou s'il est endommagé d'une quelconque manière.
- Des cordons de rallonge peuvent être utilisés en faisant preuve de prudence.
- Si vous utilisez un cordon de rallonge : 1. La puissance électrique indiquée sur le cordon de rallonge doit être au moins aussi élevée que celle de l'appareil; et 2. Le cordon doit être disposé de telle sorte qu'il ne pende pas du comptoir ou de la table, ce qui permettrait à des enfants de tirer dessus ou qui présenterait un risque de chute.
- La rallonge doit consister en un cordon à 3 fils avec mise à la terre.
- Les rallonges extérieures doivent être utilisées avec des appareils destinés à une utilisation en extérieur et doivent être marquées d'un « W » accompagné de la mention « Suitable for Use with Outdoor Appliances » (Approuvée pour usage extérieur).
- ATTENTION – Pour réduire le risque de décharge électrique, maintenez la rallonge sèche et au-dessus du sol.
- Ne pas laisser le cordon pendre sur des surfaces chaudes ou les toucher.
- Ne pas mettre l'appareil sur ou à proximité d'une plaque à gaz ou électrique allumée, ou bien dans un four chaud.
- Il ne faut pas utiliser de combustible, comme des briquettes de charbon, des copeaux ou des morceaux de bois, ou encore des granulés de chauffage, dans l'appareil.
- Pour procéder au débranchement, tournez le bouton de contrôle sur « OFF », puis retirez la fiche de la prise.
- Débranchez l'appareil lorsqu'il ne sert plus et avant le nettoyage. Laissez l'appareil refroidir complètement avant d'ajouter ou d'enlever des grilles, le déflecteur de graisse ou la cuvette d'eau.
- Ne pas nettoyer ce produit avec un système de pulvérisation d'eau ou similaire.
- Faites toujours fonctionner le grill sur une surface plane.
- Vous ne devez utiliser que des granules de bois complètement naturelles conçues pour être brûlées dans les barbecues aux granules de bois. Ne pas utiliser de granules de bois contenant des additifs.



EXIGENCES ÉLECTRIQUES

- USA/CA 100-120VAC, 5AMP, 50/60HZ, 120W, Fiche mise à la terre à 3 broches.



AVERTISSEMENTS ET MISES EN GARDE IMPORTANTES



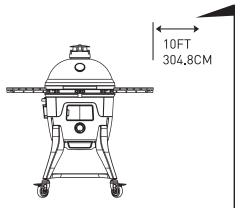
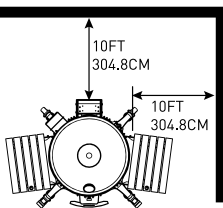
CRÉOSOTE – FORMATION ET BESOIN DE L'ENLEVER.

Lorsque les granules de bois brûlent lentement, elles génèrent du goudron et d'autres vapeurs organiques qui se combinent avec l'humidité expulsée pour former de la créosote. Les vapeurs de créosote se concentrent dans le clapet à air d'échappement relativement frais d'un feu à combustion lente. Par conséquent, la créosote s'accumule sur le clapet à air et la garniture du barbecue. Lorsqu'elle est allumée, cette créosote génère un feu extrêmement chaud. La lèchefrite doit être inspectée souvent pour vérifier l'accumulation de graisse. Lorsqu'il y a une accumulation de créosote ou de graisse, elle devrait être enlevée pour réduire le risque de feu.

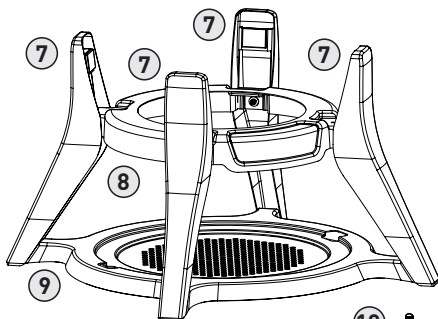
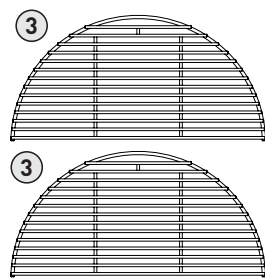
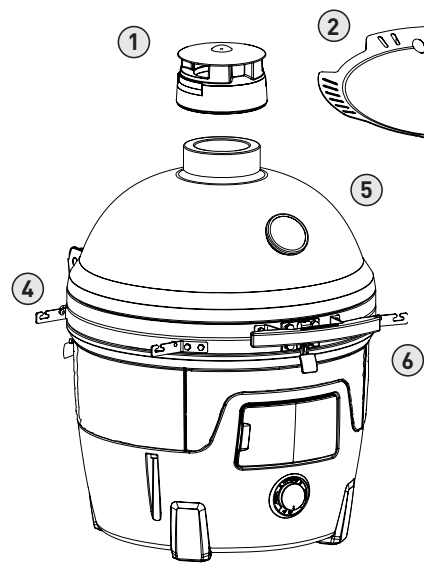
AVERTISSEMENT! Il est important de suivre ces étapes si jamais le fumoir ne s'allume pas ou le feu dans le creuset s'éteint pendant la cuisson ou le fumage alors qu'il reste suffisamment de granules dans la trémie à granules. Tout manquement à le faire pourrait entraîner une « surcombustion » dangereuse de votre barbecue en raison d'un excédent de granules non brûlées dans le creuset.

- 1) Tournez le bouton ON/OFF pour éteindre le barbecue. Une fois que le ventilateur s'est arrêté, débranchez le cordon d'alimentation. Si le barbecue est encore chaud, laissez-le refroidir complètement. Ouvrez le couvercle et enlevez tous les aliments, toutes les grilles, le lèchefrite et le déflecteur de chaleur.
- 2) **AVERTISSEMENT !** Enlevez la totalité des granules non brûlés et de la cendre de l'intérieur et des alentours du creuset (voir les instructions de manutention et d'élimination de la cendre dans la section **NETTOYAGE ET ENTRETIEN.**)
- 3) Avant de remettre le diffuseur de chaleur, le lèchefrite et toutes les grilles de cuisson, branchez le cordon d'alimentation sur une prise électrique appropriée mise à la terre et remettez le barbecue en marche. Les granules devraient tomber dans le creuset et l'élément devrait commencer à chauffer. **ATTENTION !** Ne le touchez pas.
- 4) Si cette procédure réussit, vous ne tarderez pas à voir des flammes sortir du creuset. Ensuite, tournez le bouton ON/OFF pour éteindre le barbecue. Laissez le barbecue refroidir. Mettez le diffuseur de chaleur, le lèchefrite et les grilles à l'emplacement approprié. Tournez le bouton ON/OFF sur la position ON. Réglez la température. Au bout d'environ 2 minutes, vous verrez une fumée gris-blanc sortir du barbecue lorsque les granules s'allumeront.

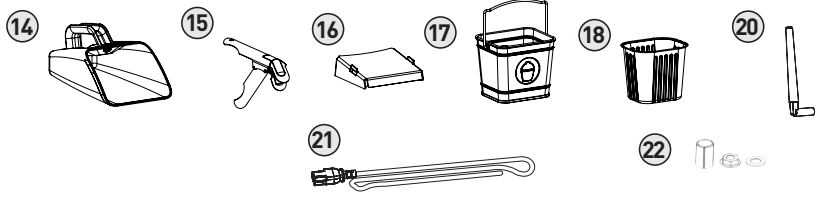
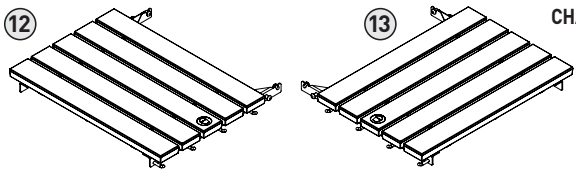
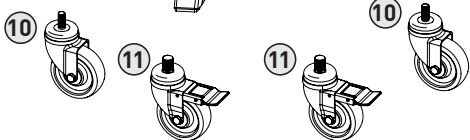
CONSERVEZ CES INSTRUCTIONS.



MAINTENEZ UN MINIMUM DISTANCE DE 10 PI. (304.8 CM) PAR LE HAUT CONSTRUCTION, MURS, RAILS OU AUTRES STRUCTURES.



1. ÉVENT SUPÉRIEUR DU PELLET JOE (1)
2. LÈCHEFRITE (1)
3. GRILLES EN DEMI-LUNE (2)
4. ÉTAGÈRE DE BRACKET (4)
5. ASSEMBLAGE DU PELLET JOE (1)
6. POIGNÉE AVANT (1)
7. PIEDS (4)
8. PLAQUE SUPÉRIEURE (1)
9. PLAQUE INFÉRIEURE (1)
10. ROULETTES (2)
11. ROULETTES BLOQUANTES (2)
12. ÉTAGÈRE DE GAUCHE (1)
13. ÉTAGÈRE DE DROITE (1)
14. MESURE À GRANULES (1)
15. PINCE POUR GRILLE (1)
16. TOIT À GRAISSE (1)
17. SEAU À GRAISSE (1)
18. GARNITURE EN PAPIER D'ALUMINIUM DU SEAU À GRAISSE (3).
19. THERMOMÈTRE À VIANDE
20. ANTENNE WIFI
21. CORDON D'ALIMENTATION
22. TROUSSE DE DÉTACHEMENT DE LA CHARNIÈRE (1)



Installation du barbecue

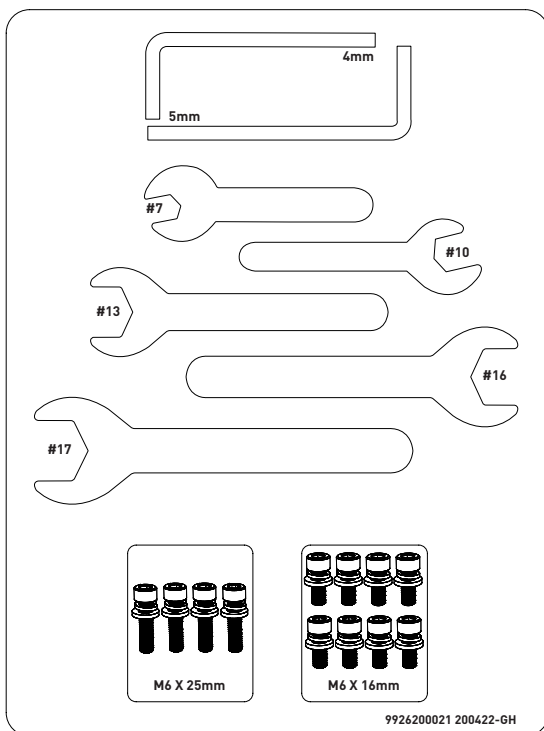
BARBECUE PELLET JOE

- 1 Couper les bandes de plastique et retirer les panneaux de côté et du dessus du conteneur.
- 2 Soulever la partie supérieure du chariot et retirer le plastique du dessus du barbecue.
- 3 Ouvrir le dôme et retirer les composants intérieurs du barbecue. Manipuler les parties internes en céramique avec soin.

DÉBALLER VOTRE BARBECUE

1. Assembler le chariot et verrouiller les roulettes avant sur le chariot. Voir les étapes 1-3 d'assemblage.
2. En raison du poids de ce barbecue, il est recommandé que le barbecue soit soulevé par deux personnes. Utiliser la charnière arrière et l'ouverture avant de la trémie comme points de levage. Sortir la goulotte de chargement des granules et utiliser l'ouverture de la trémie.
3. Mettre le barbecue dans le chariot de façon à ce que la trémie à granules fasse face à l'avant. Le devant du chariot est le côté avec les deux roulettes verrouillables.

Hardware



1

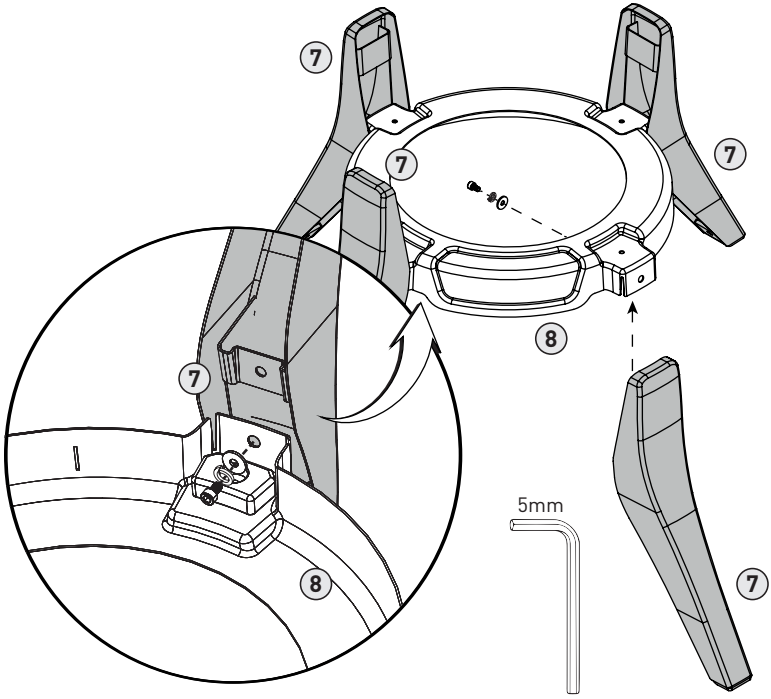
M6X16
X4



M6
X4



M6
X4



2

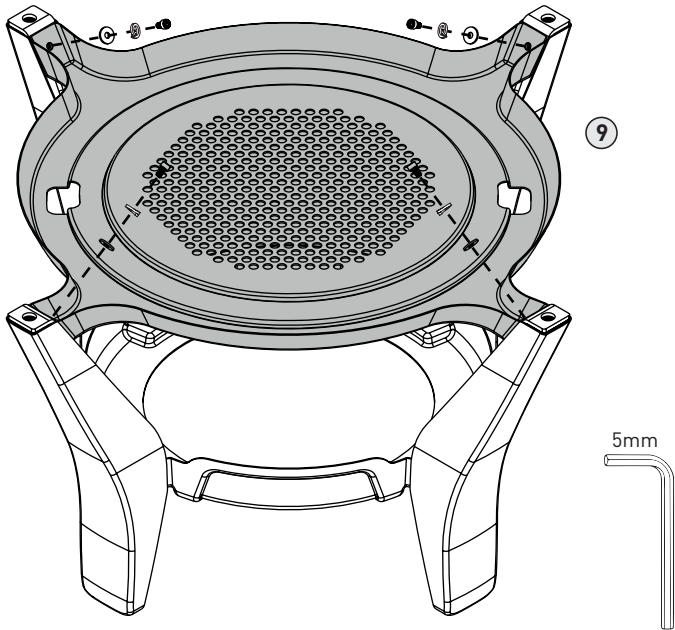
M6X16
X4



M6
X4

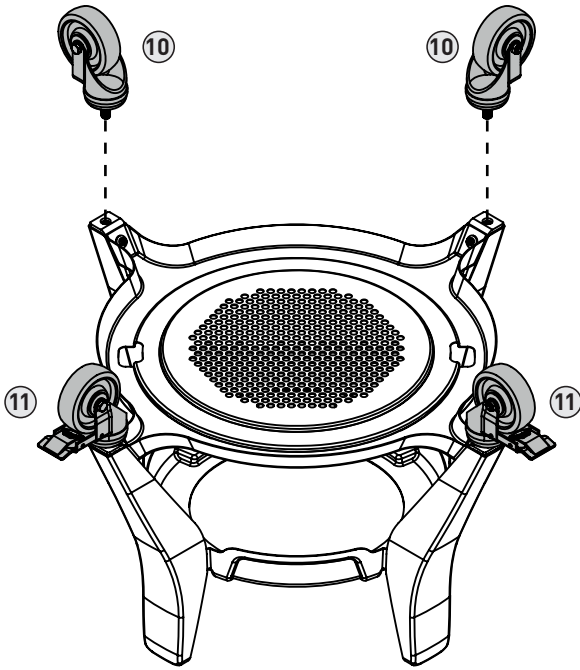
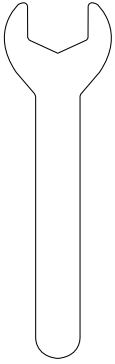


M6
X4



3

#16



4

M6X25

X4



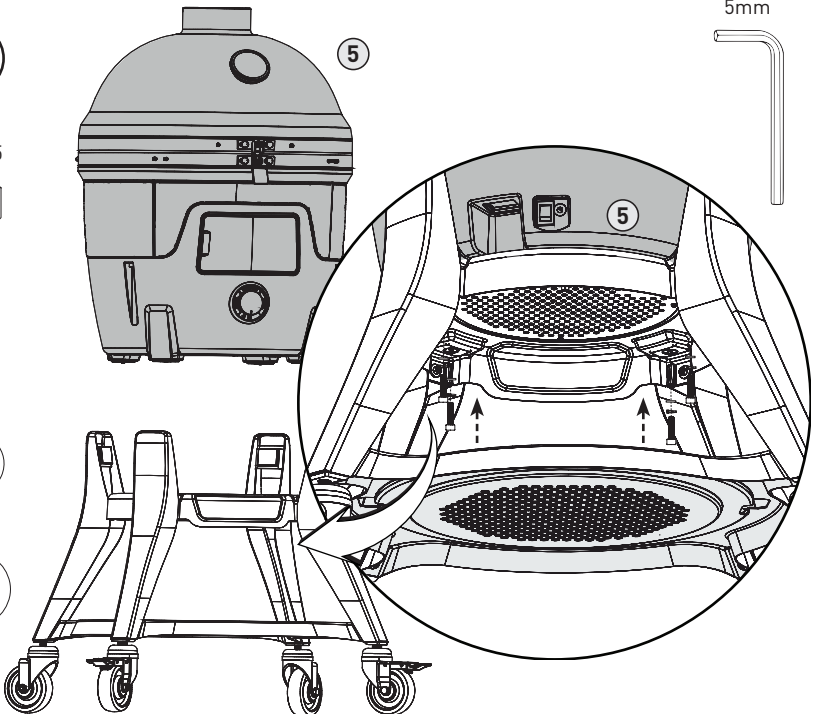
M6

X4

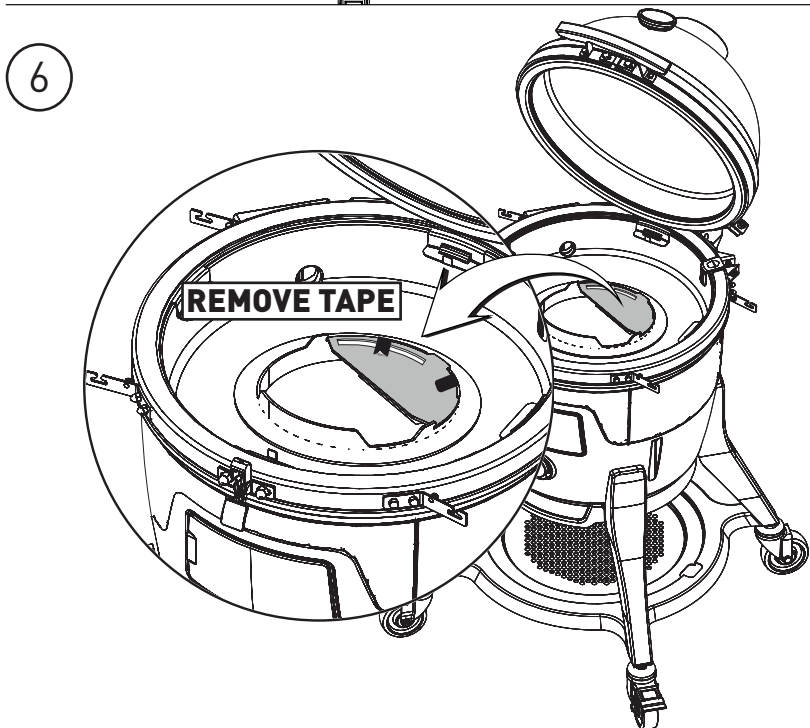
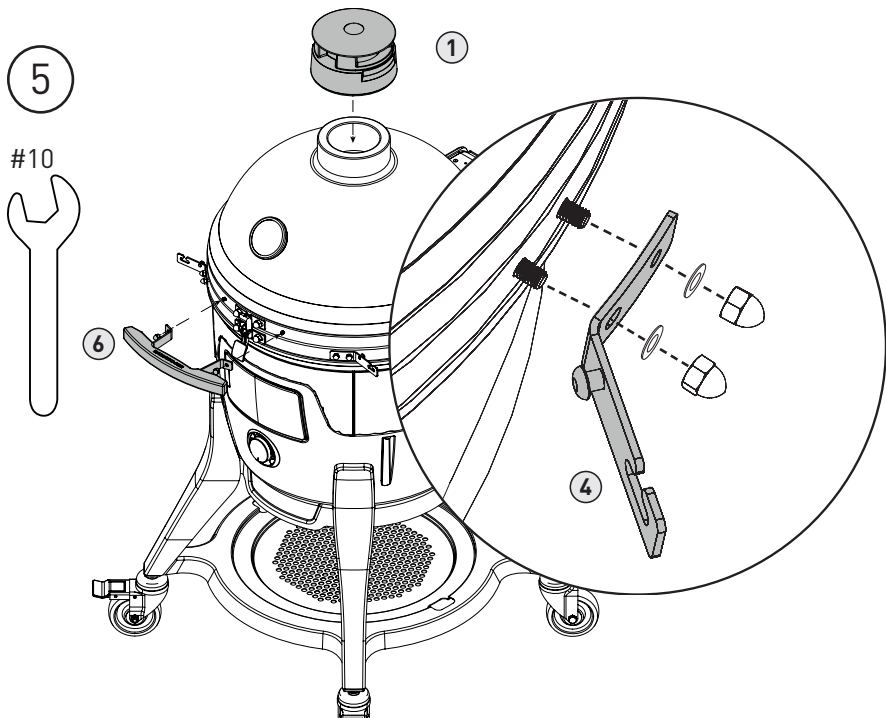


M6

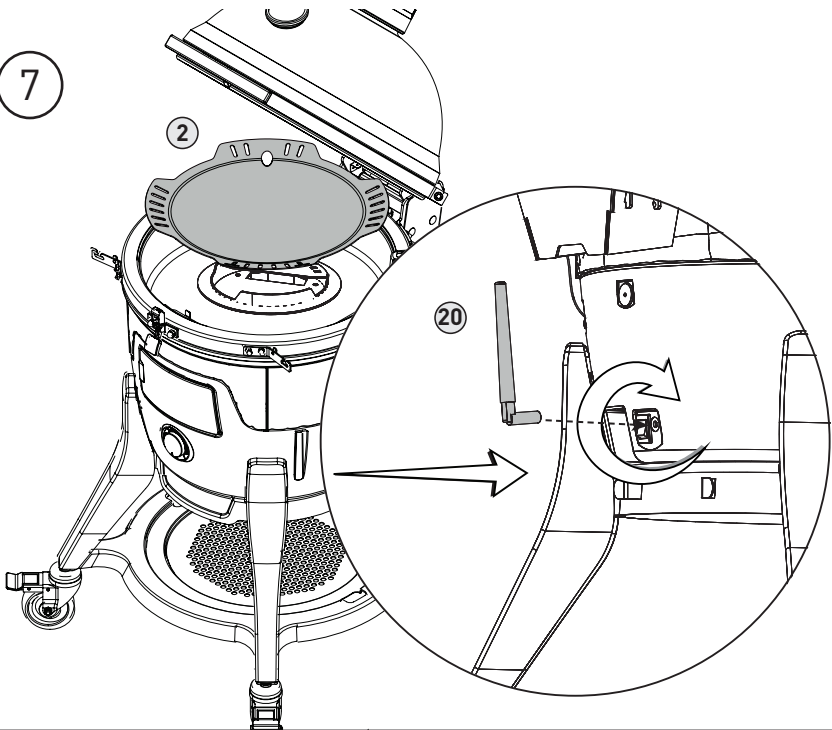
X4



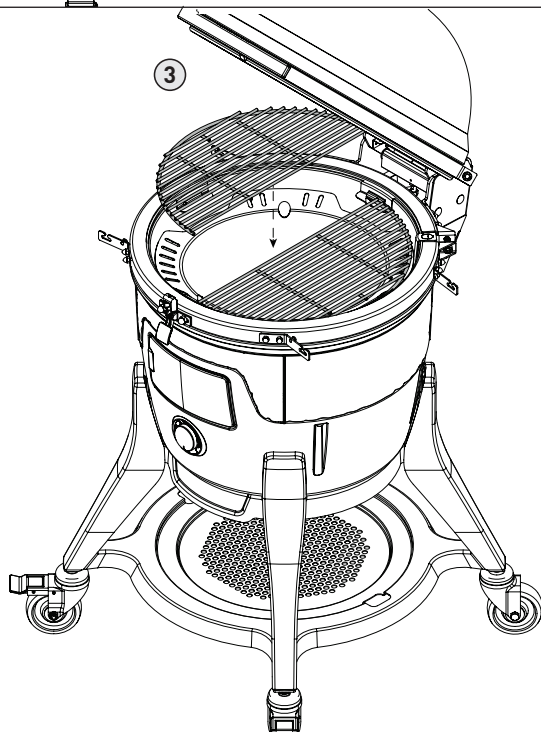
5mm



7



8

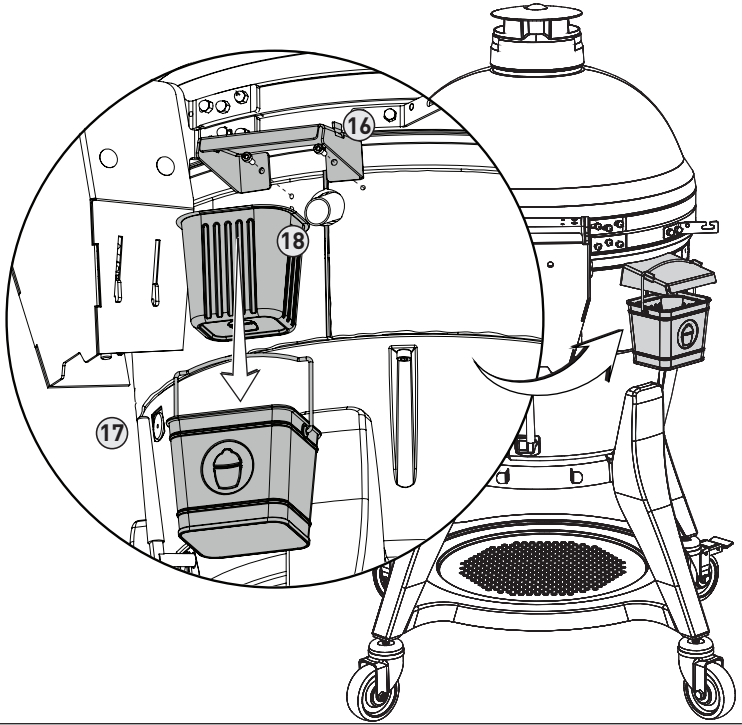
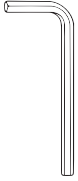


9

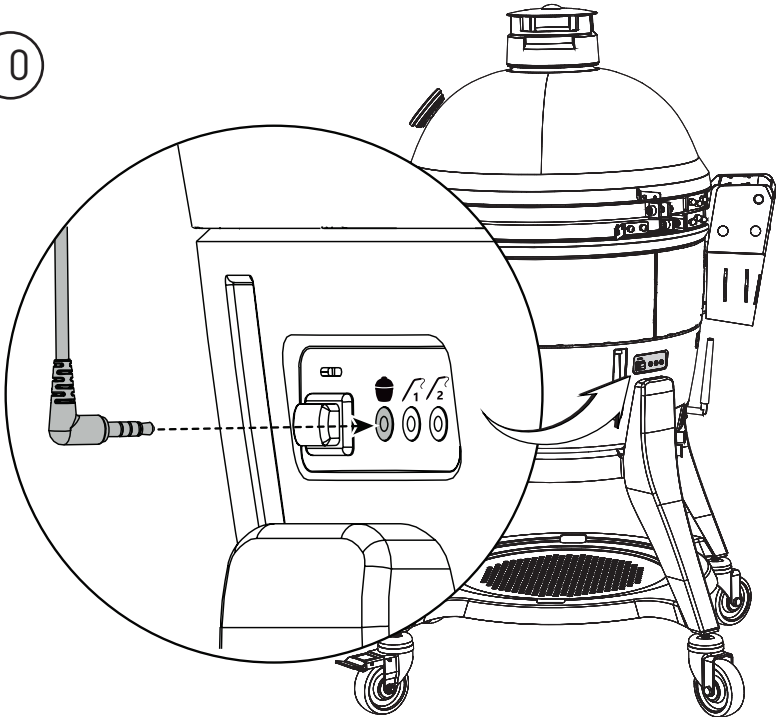
M5X10
X2



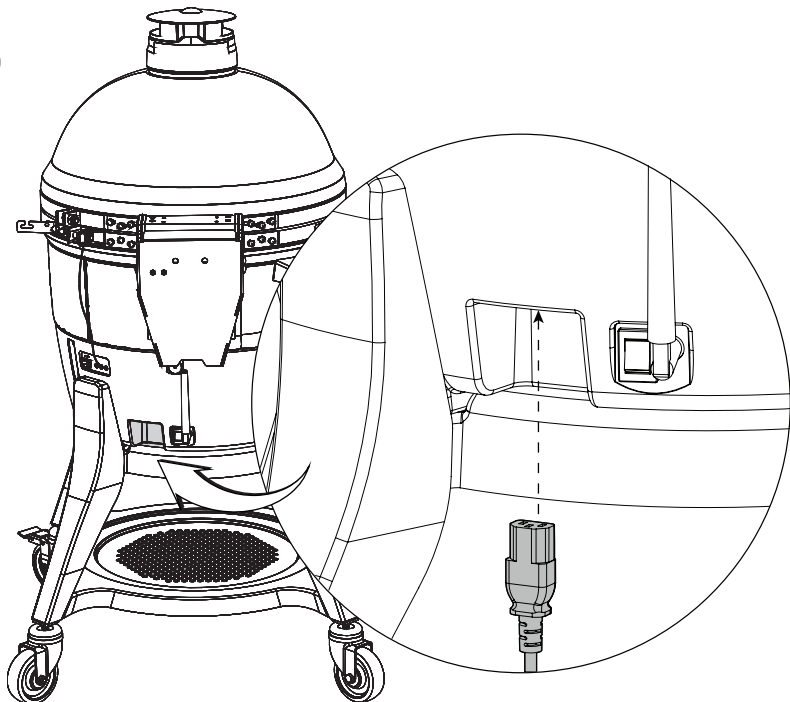
4mm



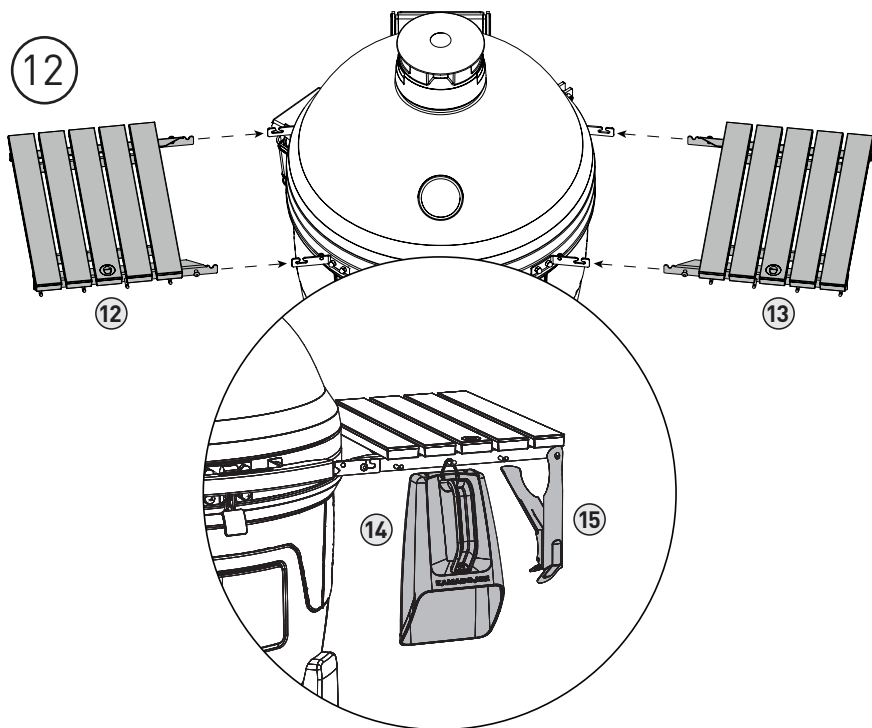
10



11



12



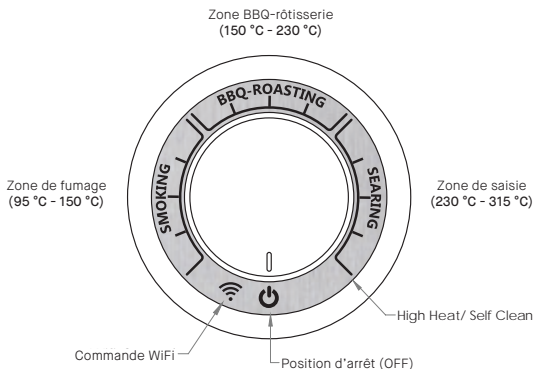
Guide de démarrage rapide

UTILISATION DE VOTRE PELLET JOE

- 1 Avant de mettre le gril en marche, remplir la trémie avec un maximum de 4,5 kg de granulés de bois de qualité alimentaire.
- 2 Pour allumer le barbecue, le brancher et appuyer sur l'interrupteur situé à l'arrière du barbecue. Un voyant d'état s'allumera près des ports des sondes à l'arrière du barbecue.
- 3 Tourner le bouton avant à la température désirée ou tourner le bouton sur le réglage WiFi pour contrôler le barbecue sans fil par l'entremise de l'appli. Si le bouton n'est pas tourné sur la position WiFi, l'appli ne pourra pas contrôler le barbecue.
- 4 **TOUJOURS GARDER L'ÉVENT SUPÉRIEUR EN POSITION OUVERTE LORS DE L'UTILISATION DU BARBECUE.**
- 5 L'évent doit être ouvert chaque fois que le gril est allumé.
- 6 À la fin de la cuisson, tourner le bouton sur la position OFF. Ne pas débrancher ou éteindre le barbecue tout de suite. Le barbecue est arrêté, mais le ventilateur continuera à fonctionner pendant 15 minutes. Cela évitera toute combustion dans la vis sans fin. Une fois que le ventilateur s'est arrêté automatiquement, appuyer sur l'interrupteur à l'arrière du barbecue. Lorsque le barbecue a refroidi, le débrancher, le couvrir et le ranger dans un endroit sec.
- 7 Fermez l'évent une fois que le gril est éteint et a terminé la séquence d'arrêt.
- 8 Toujours entreposer les granulés dans un endroit frais et sec. Le contact avec l'humidité ou l'exposition à celle-ci entraînera une baisse de la production de chaleur ou provoquera le gonflement et la rupture des granulés. Utiliser un contenant ou un seau refermable à l'épreuve de l'humidité pour un entreposage approprié.
- 9 Si le barbecue est entreposé à l'extérieur pendant la saison des pluies ou les périodes de forte humidité, il faut veiller à ce que l'eau ne pénètre pas dans la trémie. Lorsqu'ils sont mouillés ou exposés à une forte humidité, les granulés de bois se dilatent beaucoup, se décomposent, et peuvent bloquer le système d'alimentation. Toujours débrancher l'électricité avant d'effectuer des travaux d'entretien ou de réparation.

RENSEIGNEMENTS SUPPLÉMENTAIRES :

- 1 Pour que le Pellet Joe fonctionne, la porte de la trémie doit être fermée.
- 2 Il faut environ 10 minutes pour que les granulés s'allument complètement dans le Pellet Joe. Dix minutes de plus sont requises pour atteindre la température réglée.
- 3 En raison de la convection de l'air, la température sur le thermomètre du couvercle peut être légèrement différente de la température réglée.
- 4 Ne jamais ouvrir le couvercle du barbecue lorsque le barbecue fume abondamment, cela pourrait provoquer l'inflammation soudaine des granulés, ce qui pourrait entraîner des blessures. Garder le couvercle fermé pour contrôler et limiter l'allumage des granulés.
- 5 Les granulés de bois pour barbecue à combustion propre génèrent environ 8 200 BTU par 0,45 kg avec très peu de cendres, elles ont une faible teneur en humidité (5-7 %) et sont neutres en carbone.



WiFi

CONFIGURATION DE L'APPAREIL

1. Télécharger l'appli Kamado Joe à partir du App Store de Apple ou du Google Play Store sur votre téléphone intelligent.
2. Une fois le téléchargement terminé, ouvrir l'appli Kamado Joe et suivre les instructions pour appairer le barbecue et l'appareil intelligent.

UTILISATION DE WIFI POUR CONTRÔLER LE BARBECUE

1. Tourner le bouton avant sur le réglage WiFi (voir la figure 2). Si le bouton n'est pas tourné sur la position WiFi, l'appli ne pourra pas contrôler le barbecue.
2. Suivre les instructions dans l'appli.

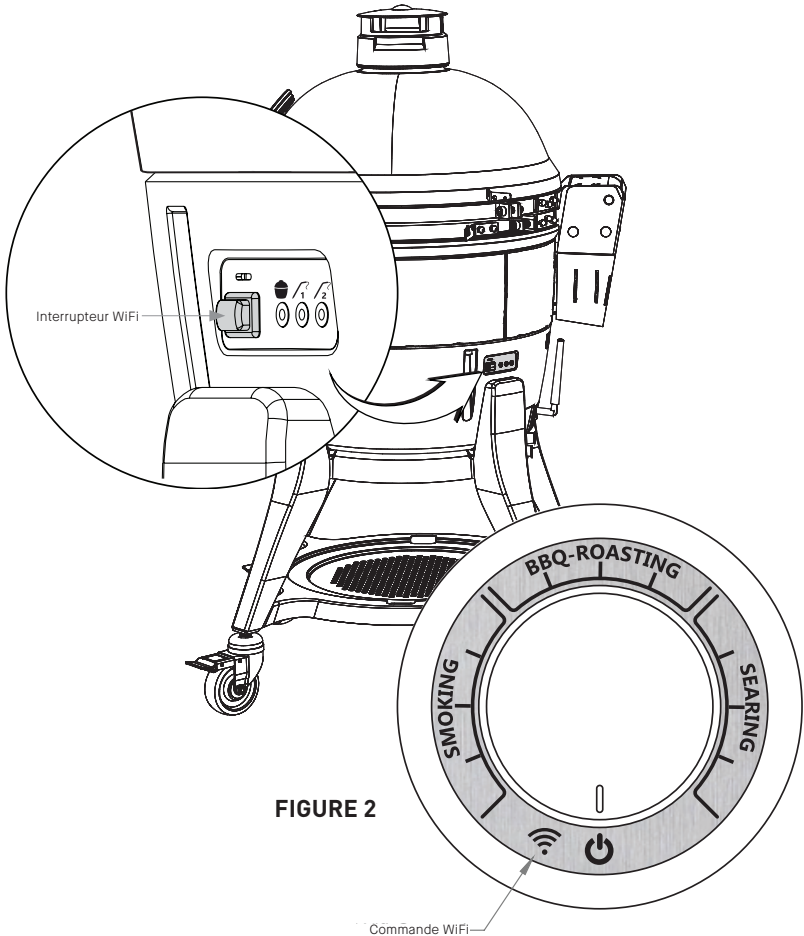


FIGURE 2

Ajustement de la charnière « Air Lift » du Classic

La charnière « Air Lift » de votre Pellet Joe est préajustée pour vous offrir équilibre et stabilité. Pour tout ajustement supplémentaire convenant mieux à vos préférences personnelles, veuillez suivre ces instructions.

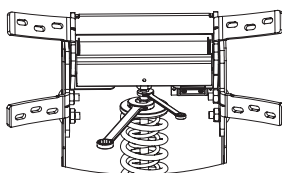
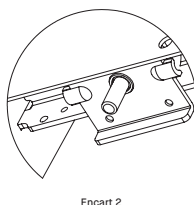
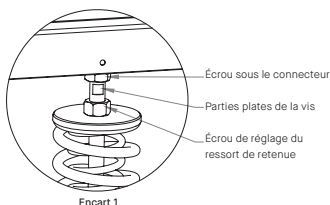
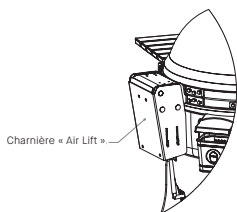
Attention : La charnière « Air Lift » est sous tension.

CHARNIÈRE PELLETT JOE

- 1 Ouvrir le dôme de votre Pellet Joe.
- 2 Une fois le dôme ouvert, placer la clé sur les parties plates de la vis (voir l'encart 1).
Si votre barbecue n'est pas doté des parties plates, placer plutôt une clé à douille sur l'extrémité inférieure de la vis (voir l'encart 2).
- 3 Placer la clé sur l'écrou du dispositif de retenue du ressort (voir l'encart 1).
- 4 Pour rendre le dôme plus facile à soulever, tenir une clé stationnaire et tourner l'autre clé dans le sens des aiguilles d'une horloge, de la façon illustrée. Retirer les clés et vérifier le mouvement du dôme pour chaque rotation complète de l'écrou. Si vous voulez que le dôme semble plus lourd, tourner l'écrou dans le sens antihoraire. Retirer les clés et vérifier le mouvement du dôme pour chaque rotation complète de l'écrou. Ne pas ajuster l'écrou de façon à ce qu'il entre en contact avec l'écrou situé sous le connecteur (voir l'encart 1).

INFORMATIONS RELATIVES À LA SÉCURITÉ DE LA CHARNIÈRE

Ne pas tenter de démonter la charnière de votre barbecue sans le matériel approprié. Si vous tentez d'utiliser la charnière comme point de levage, saisir la charnière près du point d'ancrage ou des bandes, pas au bas. Seuls des ajustements mineurs au poids du dôme devraient être effectués, conformément aux instructions sur la page précédente.

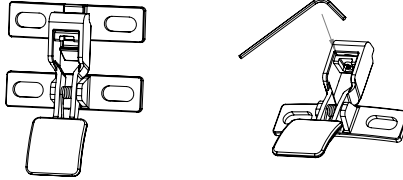


Ajustement du loquet

Le loquet de votre Pellet Joe est pré réglé pour un joint d'étanchéité ultra serré. Pour tout ajustement supplémentaire, veuillez suivre ces instructions.

LOQUET DU PELLETT JOE

Pour serrer ou desserrer le loquet, utiliser une petite clé Allen. Ajuster l'écrou de réglage pour baisser la plaque du loquet et ajouter le dispositif d'espacement. Une fois le dispositif d'espacement installé, réinstaller la plaque du loquet en serrant l'écrou de réglage.



Renseignements sur la sécurité

MISE EN GARDE

La charnière et la bande sont fortement tendues. Le manquement à suivre les étapes dans l'ordre pourrait causer des blessures graves.

CHARNIÈRE

Ne pas tenter de démonter la charnière ou de desserrer les bandes de votre barbecue sans utiliser la trousse d'outil de détachement de la charnière.

REMARQUE : Trousse d'outil de détachement de la charnière (la plaque d'espacement, la rondelle et l'écrou hexagonal sont inclus). Conserver ces pièces au cas où il faudrait enlever la charnière plus tard. Il est impossible d'enlever la charnière de façon sécuritaire sans ces pièces.

Utiliser la surface intérieure et l'ouverture de l'évent inférieur à l'avant comme points de levage. (Ne pas soulever le barbecue par la charnière, les supports des bandes ou la poignée, car cela pourrait détacher le dôme de la bande.)

Seuls des ajustements mineurs au poids du dôme devraient être effectués, conformément aux instructions sur la page 20.

JOINT D'ÉTANCHÉITÉ

Un autonettoyage avec le cycle de chaleur naturelle est recommandé.

Ne pas utiliser de nettoyeurs à base de produits chimiques sur le joint d'étanchéité.

Si c'est absolument nécessaire, essuyer doucement les renversements ou l'humidité. Ne pas frotter ou abraser le joint pendant le nettoyage. Un frottement excessif peut causer de l'usure.

Nettoyage et entretien

Nous avons conçu et fabriqué votre Pellet Joe avec des matériaux de qualité afin de minimiser l'entretien et le nettoyage généraux. Exécutez régulièrement le processus d'autonettoyage d'entretien facile et assurez-vous de protéger votre Pellet Joe contre les éléments en utilisant une housse.

NETTOYAGE D'ENTRETIEN

- 1 S'assurer que le déflecteur de chaleur et le lèche-frite sont en place.
- 2 Tourner le bouton sur le réglage de température le plus élevé et laisser la température à l'intérieur du barbecue augmenter jusqu'à au moins 315 °C en gardant le dôme fermé.
- 3 Maintenir la température à environ 315 °C pendant 10 minutes.
- 4 Tourner le bouton jusqu'à la position OFF.

Ce processus d'autonettoyage brûlera tout résidu indésirable logé à l'intérieur du barbecue et du lèche-frite. Avant de cuisiner à nouveau, brosser la grille de cuisson avec une brosse à barbecue standard. Utiliser une brosse à soies souples sur les pièces en céramique, le plateau ramasse-gouttes et le déflecteur de chaleur pour enlever les résidus.

NETTOYAGE GÉNÉRAL

Après une longue cuisson, il peut rester à l'intérieur du barbecue des cendres provenant de la combustion des granules. Utiliser un aspirateur pour nettoyer l'intérieur du barbecue lorsque c'est nécessaire. Le faire SEULEMENT lorsque le barbecue a complètement refroidi.

Une ou deux fois l'an, vous devriez faire un plus gros nettoyage de l'intérieur du barbecue. Retirer les composantes internes et retirer les cendres ou débris résiduels qui se sont accumulés entre le corps du barbecue et les composantes internes. Utiliser une brosse à poil souple en plastique pour nettoyer la surface intérieure de céramique, et vider ou aspirer les débris du fond du barbecue avant de replacer les composantes internes. Vider la trémie. Utiliser l'aspirateur pour nettoyer tous les débris des granules qui se sont accumulés dans la trémie.

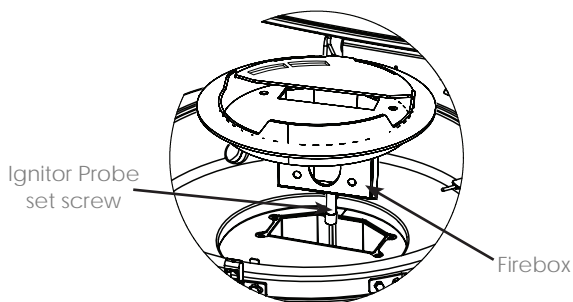
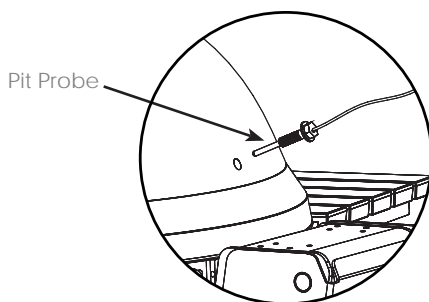
Remplacement des pièces

REPLACEMENT DE LA SONDE DE TEMPÉRATURE

- 1 Remplacer la sonde endommagée, réinstallez la sonde de température.
- 2 Veiller à brancher la nouvelle sonde dans le port de sonde correspondant derrière le barbecue.

REPLACEMENT DE LA SONDE DE L'ALLUMEUR

- 1 Retirez les deux écrous à oreilles qui fixent le foyer.
- 2 Soulever le foyer pour le sortir et dévisser la petite vis de réglage située sous le foyer.
- 3 Remplacer la sonde de l'allumeur endommagée, serrer la vis de réglage, puis fixer le foyer. L'allumeur doit faire saillie dans le foyer de $\frac{3}{4}$ « (20MM)





Dépannage

En cas de problème, le voyant à DEL près des ports des sondes clignotera une couleur précise ou une alarme se fera entendre, correspondant à un des codes d'erreur ci-dessous. Ces codes s'afficheront également dans l'appli.

Symptôme	Couleur	Alarme	Cause	Solution possible
Err 1	ROUGE FIXE	ACTIVÉE	La sonde de température n'est pas connectée	<ol style="list-style-type: none"> Vérifier que le raccord est bien inséré. Débrancher la sonde de température du barbecue, attendre 10 secondes, puis la rebrancher. La sonde de température est défectueuse. Veuillez prendre contact avec le service à la clientèle.
Err 2	ROUGE ET JAUNE CLIGNOTANTS	DÉSACTIVÉE	Thermomètre à viande Défaut	<ol style="list-style-type: none"> Thermomètre à viande endommagé ou surchauffé, le remplacer.
Err 3	ROUGE CLIGNOTANT	ACTIVÉE	Le barbecue a surchauffé. La sonde de température a atteint une température supérieure à 425 °C.	<ol style="list-style-type: none"> Le ventilateur fonctionnera à 50 %, la vis sans fin restera arrêtée jusqu'à ce que la température régle soit atteinte. Eteindre votre barbecue en tournant le bouton de réglage sur la position OFF. Chercher la cause potentielle de la surchauffe. <ul style="list-style-type: none"> * Feu de graisse * Trop de granules dans le creuset Remettre le barbecue en marche.
Err 4	JAUNE FIXE	ACTIVÉE 5 minutes	La sonde de température n'a pas atteint 65 °C en 20 minutes.	<p>Votre barbecue a besoin de 3 choses pour commencer à cuire :</p> <ul style="list-style-type: none"> * Air (oxygène) * Combustible (granules) * Chaleur (fumée ou feu) <ol style="list-style-type: none"> Une fois que le barbecue a refroidi et peut être touché sans danger, retirer la surface de cuisson et l'assemblage du plateau ramasse-gouttes du barbecue. Retirer le détecteur de chaleur. Regarder dans le foyer pour s'assurer qu'elle est propre et que l'élément de l'allumeur est complètement visible. S'assurer que la trémie à granules est pleine de granules et que le barbecue est en marche (branché, allumé et le bouton de réglage est réglé à la chaleur élevée). Tourner le bouton de réglage à la chaleur élevée. Regarder prudemment dans le foyer pour voir si les granules tombent dans la cuve (combustible). Tâter 8 cm au-dessus du foyer pour vous assurer que le ventilateur est en marche et soufflé de l'air dans le foyer (oxygène). Humer l'air pour voir si vous sentez de la fumée ou chercher des signes visuels de fumée ou de feu (chaleur). Si votre barbecue ne chauffe pas, vérifier la connexion de l'allumeur ou remplacer l'élément de l'allumeur. Si les granules ne tombent pas dans le creuset, vérifier si la vis sans fin est bloquée, vérifier les connexions de la vis sans fin ou remplacer le moteur de la vis sans fin. Si le ventilateur ne souffle pas d'air, vérifier les connexions du ventilateur ou remplacer le ventilateur.
Err 5	VERT ET JAUNE CLIGNOTANTS	DÉSACTIVÉE	La température du thermomètre à viande est supérieure à 150 °C.	<ol style="list-style-type: none"> En portant des gants de protection, retirer le thermomètre à viande du barbecue. Débrancher le thermomètre à viande du contrôleur. Laisser refroidir le thermomètre à viande avant de le rebrancher.
Err 6	VIOLET FIXE	DÉSACTIVÉE	La porte de la trémie est ouverte. Le moteur de la vis sans fin et les agitateurs de granules ne fonctionnent pas lorsque la porte de la trémie est ouverte.	<ol style="list-style-type: none"> Fermer la porte de la trémie. Vérifier la connexion de la porte de la trémie. Remplacer l'interrupteur de la porte de la trémie.
Err 7	JAUNE CLIGNOTANT	ACTIVÉE	La vis sans fin a détecté un blocage de granules et tente de l'enlever. Le barbecue tentera de se débloquer à deux reprises avant de lancer la séquence d'arrêt.	<ol style="list-style-type: none"> Si votre barbecue a lancé la séquence d'arrêt, le laisser refroidir complètement. Essayer de débloquer la trémie en enlevant toutes les granules de la trémie à granules, puis éteindre et rallumer le barbecue après avoir fermé la porte de la trémie. Si vous ne pouvez pas débloquer la trémie, démonter le barbecue pour enlever la vis sans fin et la nettoyer. <ul style="list-style-type: none"> * Des instructions détaillées sont disponibles ici : www.kamadojoe.com/pages/support
Err 8	VIOLET CLIGNOTANT	ACTIVÉE	Le ventilateur est bloqué.	<ol style="list-style-type: none"> S'assurer que rien ne bloque la grille inférieure d'entrée d'air sur le fond du barbecue. S'assurer que l'évent supérieur est sur la position ouverte. Vérifier les connexions du ventilateur.
Err 9	BLEU CLIGNOTANT, PUIS JAUNE	ACTIVÉE	L'agitateur est bloqué et ne peut pas tourner.	<ol style="list-style-type: none"> Pour corriger le problème, enlever les granules bloquées autour des bras de l'agitateur.
Err 10	BLEU CLIGNOTANT	DÉSACTIVÉE	Signal WiFi faible.	<ol style="list-style-type: none"> Incliner l'antenne à l'arrière du barbecue afin qu'elle soit orientée vers le sol.
Err 11	VERT CLIGNOTANT	5 BIPS À LA FIN	Le barbecue met à jour son micrologiciel. Veuillez laisser le barbecue terminer sa mise à jour avant de continuer à l'utiliser.	<ol style="list-style-type: none"> Ne pas tenter de cuisiner pendant la mise à jour du barbecue. Le barbecue doit terminer la mise à jour avant que vous puissiez continuer à cuisiner.
Err 12	VIOLET ET JAUNE CLIGNOTANTS	ACTIVÉE	Le barbecue n'a pas pu terminer la mise à jour du micrologiciel.	<ol style="list-style-type: none"> Eteindre le barbecue pour le laisser redémarrer avec l'ancien micrologiciel. Rallumer le barbecue et essayer d'effectuer la mise à jour de nouveau.
FUMÉE EXCESSIVE		DÉSACTIVÉE	Il est possible que le barbecue soit en train de préchauffer.	<ol style="list-style-type: none"> Les granules causeront beaucoup de fumée pendant l'allumage. Veuillez laisser le barbecue atteindre la température réglée avant d'ajouter les aliments. Si la fumée excessive dure, redémarrer votre barbecue.
MODE MANUEL ACTIVÉ	VERT FIXE	DÉSACTIVÉE	Le barbecue est en mode manuel de cuisson.	<ol style="list-style-type: none"> Le barbecue fonctionne en mode manuel de cuisson. Le barbecue cuit à la température sélectionnée sur le bouton de réglage. En mode manuel, vous ne pouvez pas utiliser l'appli pour régler la température du barbecue.
MODE WIFI ACTIVÉ	BLEU FIXE	DÉSACTIVÉE	Le barbecue est en mode WiFi.	<ol style="list-style-type: none"> Utiliser l'appli pour contrôler la température du barbecue. Le barbecue cuit à la température sélectionnée dans l'appli. Si vous ne souhaitez pas utiliser l'appli, régler votre grill en mode manuel en sélectionnant une température sur le bouton de réglage.

ALLUMEZ LE FEU.

DÉTENDEZ-VOUS.

KAMADOJOE.COM

MANUAL DE USUARIO DEL PELLETT JOE

UNA GUÍA PARA LA COCCIÓN CON KAMADO



PELLETTJOE

Código del manual: 9826200036 | 201021-GH

Índice

Advertencias	2
Lista de partes y herramientas requeridas	8
Instrucciones de configuración de la parrilla	9
Instrucciones de ensamblaje	10
Guía de inicio rápido	16
Wifi	17
Ajustes de la bisagra neumática	18
Ajustes del seguro	19
Limpieza y cuidado	20
Reemplazo de piezas	21
Detección y Solución de Problemas	22

LAS PERLAS NO ESTÁN INCLUIDAS.



ADVERTENCIA

- Este manual contiene información importante necesaria para el correcto ensamblaje y uso seguro del aparato.
- LEA Y SIGA TODAS LAS ADVERTENCIAS E INSTRUCCIONES ANTES DE ENSAMBLAR Y USAR EL ARTEFACTO.
- CONSERVE ESTE MANUAL PARA REFERENCIA FUTURA.
- Contacte a los funcionarios locales de incendios o de construcción para averiguar las restricciones y los requisitos de inspección e instalación en su área.



Si no sigue estas instrucciones, podría producirse un peligro de incendio, explosión o quemadura, lo cual podría causar daños a la propiedad, lesiones personales o la muerte.



PELIGRO DE MONÓXIDO DE CARBONO

Quemar perlas genera monóxido de carbono, el cual no tiene olor y puede causar la muerte. Use solamente las áreas exteriores donde está bien ventilado. Siga estas pautas para evitar que este gas incoloro e inodoro lo intoxique a usted, a su familia o a otras personas.

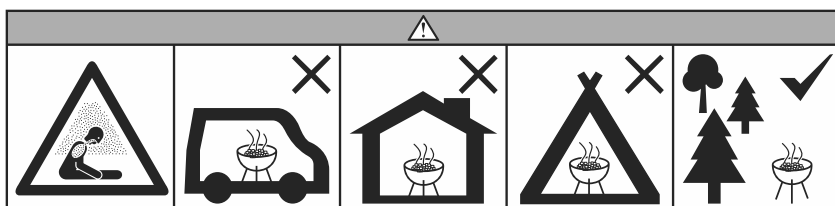
- Identifique los síntomas de intoxicación por monóxido de carbono: dolor de cabeza, mareos, debilidad, náuseas, vómitos, somnolencia y confusión. El monóxido de carbono reduce la capacidad de la sangre de transportar el oxígeno. Los niveles bajos de oxígeno en la sangre pueden provocar pérdida de la consciencia y la muerte.
- Vea a un médico si usted u otros desarrollan un resfrío o síntomas parecidos a la gripe mientras cocine o esté cerca de este artefacto. La intoxicación por monóxido de carbono, la cual puede confundirse con una gripe o resfrío, con frecuencia se detecta demasiado tarde.
- El consumo de alcohol y medicinas aumenta los efectos de la intoxicación por monóxido de carbono.
- El monóxido de carbono es especialmente tóxico para la madre y el bebé durante el embarazo, los niños, los ancianos, los fumadores y las personas con problemas en la sangre o del sistema circulatorio, como asma o enfermedad cardíaca.



ADVERTENCIAS Y SALVAGUARDAS IMPORTANTES

LEA TODAS LAS INSTRUCCIONES

- **¡ADVERTENCIA!** Esta parrilla se tornará muy caliente. No la mueva mientras esté en funcionamiento.
- **¡ADVERTENCIA!** ¡No usar en interiores!
- **¡ADVERTENCIA!** Nunca use combustible de lámparas de tipo gasolina, kerosene, líquido encendedor para carbón vegetal o líquidos similares para iniciar o refrescar un fuego en esta parrilla. Conserve tales líquidos muy lejos de la parrilla cuando esté en uso.
- **¡ADVERTENCIA!** Mantenga a los niños y mascotas lejos de la parrilla en todo momento. NO permita que los niños usen la parrilla. Es necesaria una supervisión cercana cuando haya niños o mascotas en el área donde se usa la parrilla.



- **UNA CAUSA IMPORTANTE DE INCENDIOS ES NO MANTENER LOS ESPACIOS DESPEJADOS (ESPACIOS ABIERTOS) REQUERIDOS PARA LOS MATERIALES COMBUSTIBLES. ES DE SUMA IMPORTANCIA QUE ÉSTE PRODUCTO SE INSTALE SOLAMENTE EN CONFORMIDAD CON ESTAS INSTRUCCIONES.**

- No use la parrilla en un espacio confinado y/o habitable, p. ej. en casas, tiendas, remolques, casas rodantes, botes. Peligro: Muerte por envenenamiento por monóxido de carbono.
- Siempre use la parrilla en conformidad con todos los códigos contra incendios locales, estatales y federales aplicables.
- Antes de cada uso, verifique todas las tuercas, tornillos y pernos para asegurarse que estén firmes y asegurados.
- Nunca opere la parrilla bajo ninguna construcción aérea, como cubiertas de techos, porches de autos, toldos o voladizos.
- La parrilla es SOLO PARA USO EN EXTERIORES.
- Mantenga un mínimo de 3m de espacio libre de todos los materiales combustibles como madera, plantas secas, césped, escobillas, papel o lienzos. Se pueden usar cables de extensión si se tiene cuidado en su uso (Ver página 7).



ADVERTENCIAS Y SALVAGUARDAS IMPORTANTES

- Nunca use la parrilla para ninguna otra cosa que no sea su propósito intencionado. Esta parrilla NO es para uso comercial.
- NO se recomiendan accesorios que no estén expresamente diseñados para esta parrilla. Estos pueden causar lesiones.
- El uso de alcohol y de medicamentos con o sin receta pueden obstaculizar la habilidad del usuario de ensamblar u operar la parrilla.
- Conserve un extintor de incendios accesible en todo momento mientras opere la parrilla.
- Cuando cocine con aceite o grasa, tenga un extintor tipo BC o ABC a disponibilidad.
- En caso de un incendio de aceite o grasa, no intente extinguirlo con agua. Llame inmediatamente al departamento de bomberos. En ciertos casos, un extintor tipo BC o ABC puede contener el incendio.
- Use la parrilla sobre una superficie no combustible y estable tal como tierra, concreto, ladrillo o piedra. Mejor no utilizar una superficie de asfalto (bituminosa) para este propósito.
- La parrilla DEBE estar sobre el suelo. No coloque la parrilla en mesas o mostradores.
NO mueva la parrilla por superficies desniveladas.
- No use la parrilla en superficies de madera o inflamables.
- Mantenga la parrilla despejada y libre de materiales combustibles, como gasolina y otros vapores y líquidos inflamables.
- No deje la parrilla desatendida.
- NO permita que nadie realice actividades alrededor de la parrilla durante o después de su uso hasta que se haya enfriado.
- Nunca use recipientes de vidrio, plástico o cerámica en la parrilla. Nunca coloque utensilios vacíos en la parrilla mientras esté en uso.
- Nunca mueva la parrilla cuando esté en uso. Deje que la parrilla se enfríe completamente (por debajo de los 45°C) antes de moverla o guardarla.
- No almacene la parrilla con perlas o cenizas calientes dentro de ella. Almacene únicamente cuando el fuego esté totalmente apagado y todas las superficies estén frías.
- Nunca use la parrilla como un calentador. LEA PELIGRO DEL MONÓXIDO DE CARBONO.
- Use solo perlas de madera de grado alimenticio. No use perlas combustibles de calentamiento que indican que contienen aditivos.



ADVERTENCIAS Y SALVAGUARDAS IMPORTANTES

- La parrilla está CALIENTE mientras está en uso y permanecerá CALIENTE por un cierto período de tiempo y durante el proceso de enfriamiento. Tenga PRECAUCIÓN. Use guantes/mitones de protección.
- NO choque o golpee la parrilla para evitar lesiones personales, daños a la parrilla o derrames/salpicaduras del líquido de cocción caliente.
- Tenga cuidado cuando retire los alimentos de la parrilla. Todas las superficies están CALIENTES y pueden causar quemaduras. Use guantes/mitones de protección o herramientas de cocción resistentes para protegerse de las superficies calientes o las salpicaduras de los líquidos de la cocción.
- No toque las superficies CALIENTES.
- La parrilla está CALIENTE durante su uso. Para evitar quemaduras, mantenga el rostro y cuerpo lejos de ductos cuando abra la tapa. Se expelen vapor y aire caliente durante el uso.
- Cuando cocine por encima de los 180°C, abra cuidadosamente la parrilla (o deje que la parrilla "eructe") cada vez que levante su domo para evitar estallidos, un disparo de calor caliente blanco provocado por una ráfaga de oxígeno. Abrir parcialmente la tapa 5-8 cm y dejar que el calor se escape por unos 5 segundos ("hacer eructar" la parrilla) debería evitar esto.
- Los reguladores de aire están CALIENTES mientras la parrilla esté en uso y durante el enfriamiento. Use guantes protectores cuando realice ajustes.
- La parrilla tiene una llama abierta. Mantenga las manos, cabello y rostro lejos de la llama. El cabello y la ropa sueltos pueden incendiarse.
- NO obstruya el flujo de combustión y ventilación.
- No cubra las rejillas de cocción con papel aluminio. Esto atraparé el calor y podría causar daños a la parrilla.
- Siempre use el artefacto en conformidad con todos los códigos contra incendios locales, estatales y federales aplicables.
- Eliminación de las cenizas: Las cenizas deben colocarse en un contenedor de metal con una tapa hermética. El contenedor de cenizas cerrado debe colocarse en un piso incombustible o en la tierra, bien lejos de todos los materiales combustibles, hasta que puedan ser finalmente eliminadas. Si las cenizas se dispersan locamente, deben retenerse en un contenedor cerrado hasta que todas se hayan enfriado bien.
- No guarde el artefacto con cenizas CALIENTES dentro. Almacene únicamente cuando todas las superficies estén frías.
- Cuando use artefactos eléctricos, siempre se deben seguir las



ADVERTENCIAS Y SALVAGUARDAS IMPORTANTES

precauciones básicas de seguridad, incluyendo las siguientes: 1) No enchufe el artefacto hasta que esté completamente ensamblado y listo para usarse. 2) Use únicamente un tomacorrientes eléctrico puesto a tierra aprobado. 3) No use la parrilla durante una tormenta eléctrica. 4) No exponga el artefacto a la lluvia o al agua en ningún momento. Para protegerse contra una descarga eléctrica, no sumerja el cable, enchufe o panel de control en agua u otro líquido.

- No opere ningún ahumador con un cable o enchufe dañado, o si el ahumador se malogra o se ha dañado de alguna manera.
- Se pueden usar cables de extensión si se tiene cuidado en su uso.
- Si se usa un cable de extensión: 1. La calificación eléctrica marcada del cable de extensión debe tener por lo menos la misma calificación eléctrica que el artefacto; y 2. El cable debe acomodarse de tal forma que no cuelgue de un mostrador o de una mesa, de donde pueda ser tirado por los niños o donde sea objeto de tropiezo inintencional.
- El cable de extensión debe ser uno de tipo 3 puesto a tierra.
- Se debe usar cables de extensión para exteriores con productos de uso para exteriores, los cuales deben llevar una marca del sufijo "W", además de la leyenda "Apropiado para uso con artefactos de uso en exteriores".
- PRECAUCIÓN - Para reducir el riesgo de descarga eléctrica, conserve seco el cable de extensión y fuera de la tierra.
- No permita que el cable está colgando o tocando superficies calientes.
- No lo coloque encima o cerca a una hornilla eléctrica o de gas caliente, o en un horno calentado.
- El combustible, como briquetas de carbón vegetal, trozos o leños de madera o perlas combustibles de calentamiento, no deben usarse en el artefacto.
- Para desconectar, apague el controlador, luego retire el enchufe del tomacorrientes.
- Desenchufe el enchufe del tomacorrientes cuando no esté en uso y antes de la limpieza. Deje que el artefacto se enfríe completamente antes de agregar/retirar las rejillas, el deflector de grasa o la bandeja de agua.
- No limpie este producto con un rociador de agua o producto similar.
- Siempre opere la parrilla en una superficie nivelada.
- Sólo debe usar perlas de madera natural que hayan sido diseñadas para arder en parrillas de barbacoa con uso de perlas. No use combustible de perlas con aditivos.



REQUISITOS ELÉCTRICOS

- USA/CA 100-120VAC, 5AMP, 50/60HZ, 120W, ENCHUFE CON TIERRA DE TRES PINES



ADVERTENCIAS Y SALVAGUARDAS IMPORTANTES



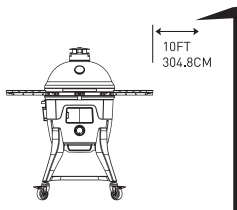
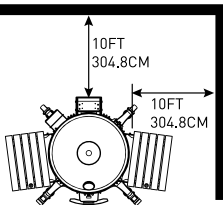
CREOSOTA - FORMACIÓN Y NECESIDAD DE REMOCIÓN.

Cuando las perlas de madera se queman lentamente, producen alquitrán y otros vapores orgánicos que se combinan con la humedad despedida para formar creosota. Los vapores de la creosota se condensan en el escape del regulador de aire relativamente frío de un fuego de quema lenta. Como resultado, la creosota se acumula en el regulador de calor y el revestimiento de la parrilla. Cuando se enciende, esta creosota produce un fuego extremadamente caliente. La bandeja de goteo debe inspeccionarse a menudo para detectar signos de acumulación de grasa. Cuando se ha acumulado la grasa o creosota, ésta debe eliminarse para reducir el riesgo de incendio.

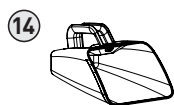
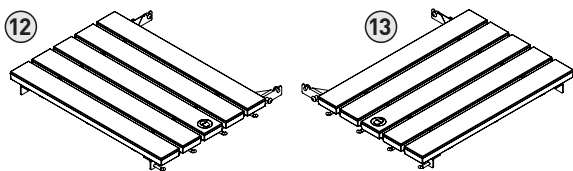
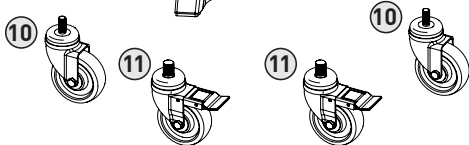
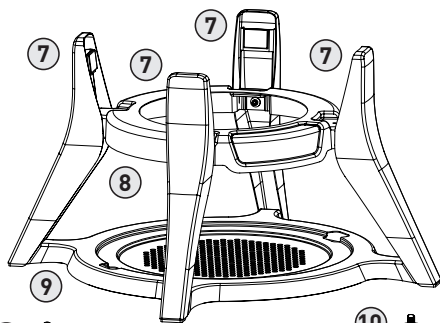
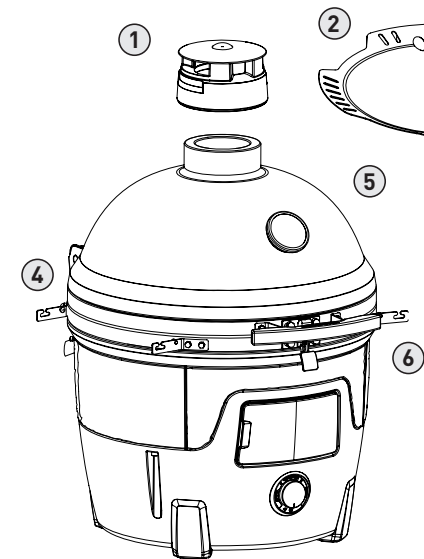
¡ADVERTENCIA! Es importante seguir estos pasos si, en cualquier momento, la parrilla no se enciende o si el fuego del crisol se sale durante la cocción o al ahumado cuando todavía hay suficientes perlas en la tolva de perlas. Si no lo hace, se podría producir un peligro "sobre incendio" de su parrilla debido a un exceso de perlas sin quemar en el crisol.

- 1) Gire la perilla de encendido/apagado (ON/OFF) para apagar la parrilla. Una vez que se ha detenido el ventilador, desenchufe el cable de alimentación. Si la parrilla sigue caliente, deje que se enfríe bien. Abra la tapa y retire todos los alimentos, todas las rejillas, la bandeja de goteo y el deflector de calor.
- 2) **¡ADVERTENCIA!** Retire todas las perlas sin quemar y las cenizas de la parte interna y circundante del crisol (ver instrucciones para un correcto manejo y eliminación de las cenizas en **INSTRUCCIONES de LIMPIEZA Y CUIDADO**).
- 3) Antes de reemplazar el deflector de calor, la bandeja de goteo y todas las rejillas, enchufe el cable de alimentación en un tomacorriente eléctrico adecuado puesto a tierra y reinicie la parrilla. Las perlas deben caer en el crisol y el elemento debe empezar a calentarse; **PRECAUCIÓN!** No lo toque.
- 4) Si este procedimiento es exitoso, pronto verá las llamar salir del crisol. Luego gire la perilla de encendido/apagado (ON/OFF) para apagar la parrilla. Deje que la parrilla se enfríe. Coloque el deflector de calor, la bandeja de goteo y las rejillas en sus lugares correctos. Gire el dial de encendido/apagado (ON/OFF) a la posición de ON. Configure la temperatura. En aproximadamente 2 minutos notará un humo gris blaucuzco que sale de la parrilla a medida que las perlas se encienden.

CONSERVE ESTAS INSTRUCCIONES



MANTENER UN MÍNIMO DISTANCIA DE 10 PIES (304,8 CM) DESDE ARRIBA CONSTRUCCIÓN, PAREDES, BARANDILLAS U OTROS ESTRUCTURAS.



1. DUCTO SUPERIOR DEL PELLET JOE (1)
2. BANDEJA DE GOTEO (1)
3. MEDIAS REJILLAS (2)
4. SOPORTE PARA ESTANTES (4)
5. ENSAMBLAJE DEL PELLET JOE (1)
6. ASA DELANTERA (1)
7. PATAS (4)
8. PLACA SUPERIOR (1)
9. PLACA INFERIOR (1)
10. RUEDECILLAS (2)
11. RUEDECILLAS CON BLOQUEO (2)
12. REPISA DEL LADO IZQUIERDO (1)
13. REPISA DEL LADO DERECHO (1)
14. CUCHARA PARA LAS PERLAS (1)
15. HERRAMIENTA DE AGARRE PARA LA REJILLA (1)
16. TECHO DE GRASA (1)
17. TAZÓN DE GRASA (1)
18. REVESTIMIENTO DE ALUMINIO DEL TAZÓN DE GRASA (3)
19. Sonda PARA CARNE (2)
20. ANTENA WIFI (1)
21. CABLE ELÉCTRICO (1)
22. DESENGANCHE DE LA BISAGRA KIT DE HERRAMIENTAS (1)

Configuración de la parrilla

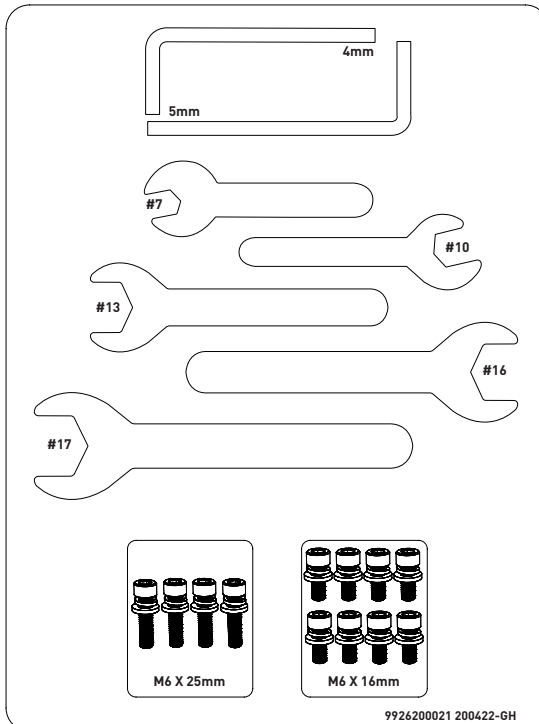
PARRILLA JOE DE PERLAS

- 1 Corte las bandas de plástico y retire los paneles superior y lateral del contenedor de envío.
- 2 Levante la pieza superior del carro de la parrilla y retire el plástico de la parte superior de la parrilla.
- 3 Abra el domo de la parrilla y retire los componentes de la parte interior de la parrilla. Manipule las partes de cerámica internas con cuidado.

DESEMPACANDO SU PARRILLA

1. Ensamble el carro de la parrilla y bloquee las ruedecillas delanteras en el carro de la parrilla. Ver los pasos de ensamblaje 1 - 3.
2. Debido al peso de esta parrilla, se recomienda que dos personas la levanten. Use la bisagra trasera y la abertura de la tolva delantera como puntos de elevación. Tire hacia afuera el conducto de carga de perlas y use la abertura de la tolva.
3. Coloque el carro de la parrilla de tal forma que la tolva de perlas esté mirando al frente. El lado delantero del carro es el lado con las dos ruedecillas de bloqueo.

Hardware



1

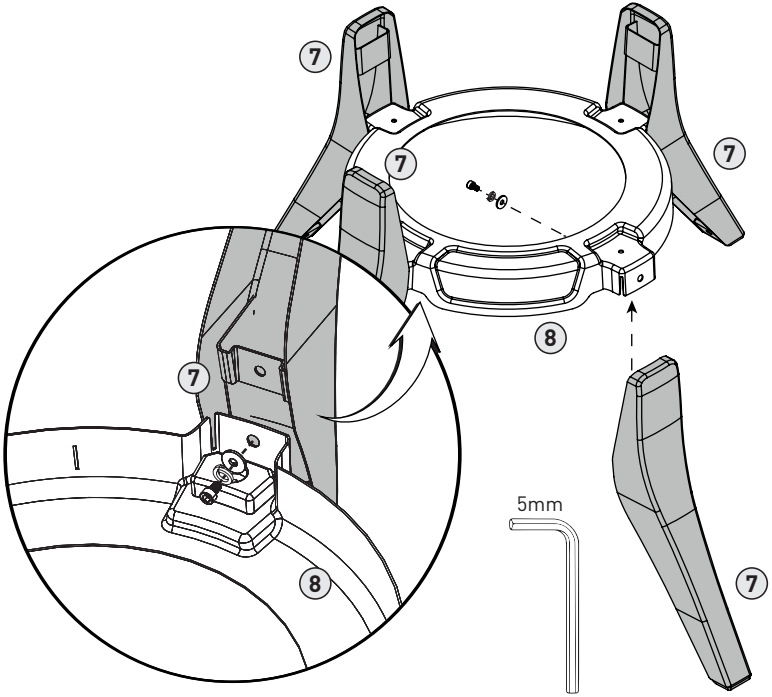
M6X16
X4



M6
X4



M6
X4



2

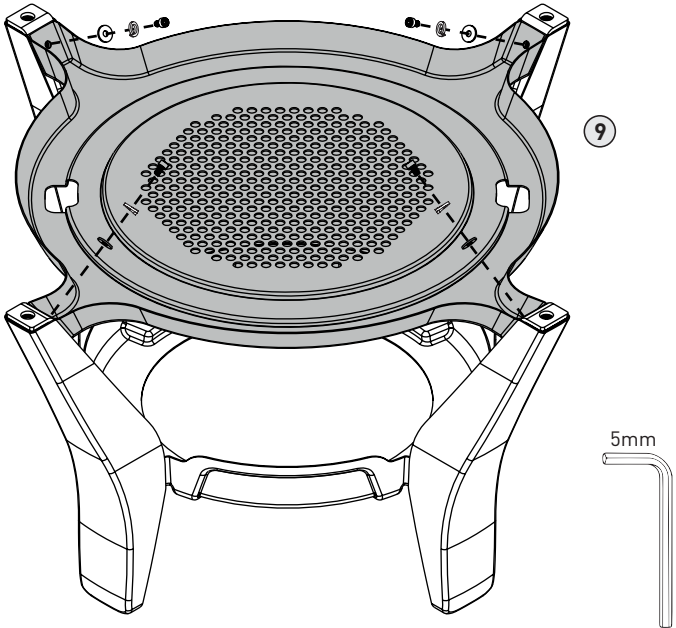
M6X16
X4



M6
X4

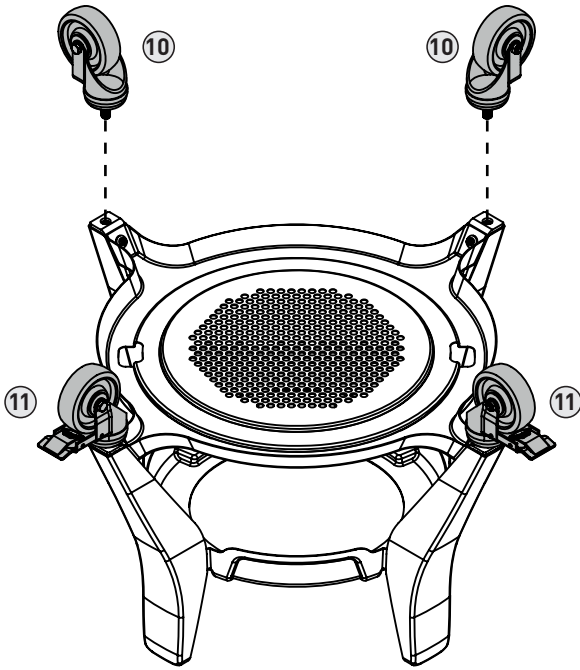
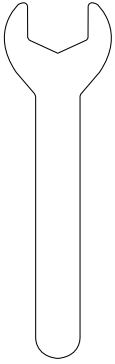


M6
X4



3

#16



4

M6X25

X4



M6

X4

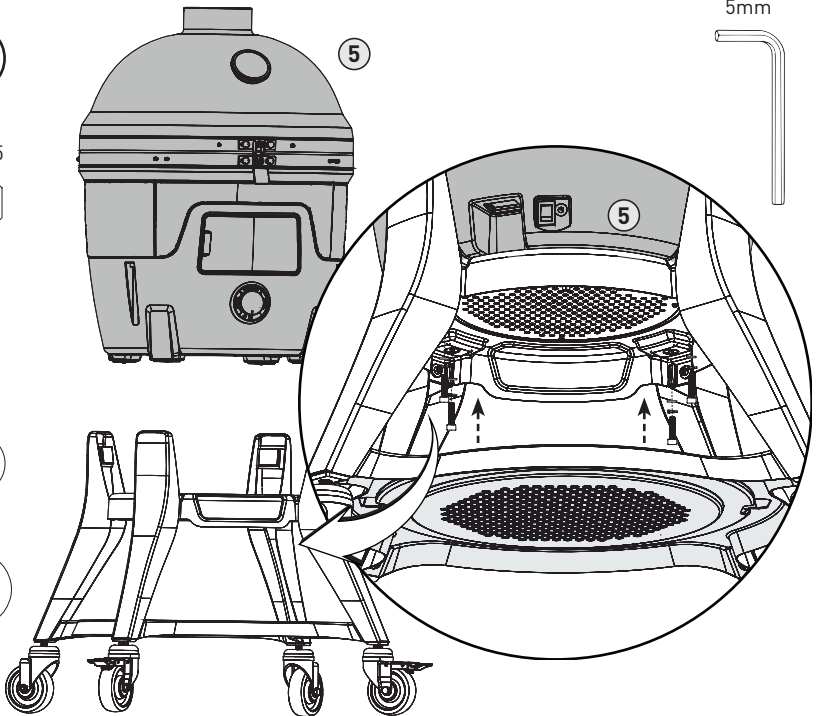
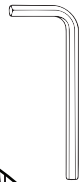


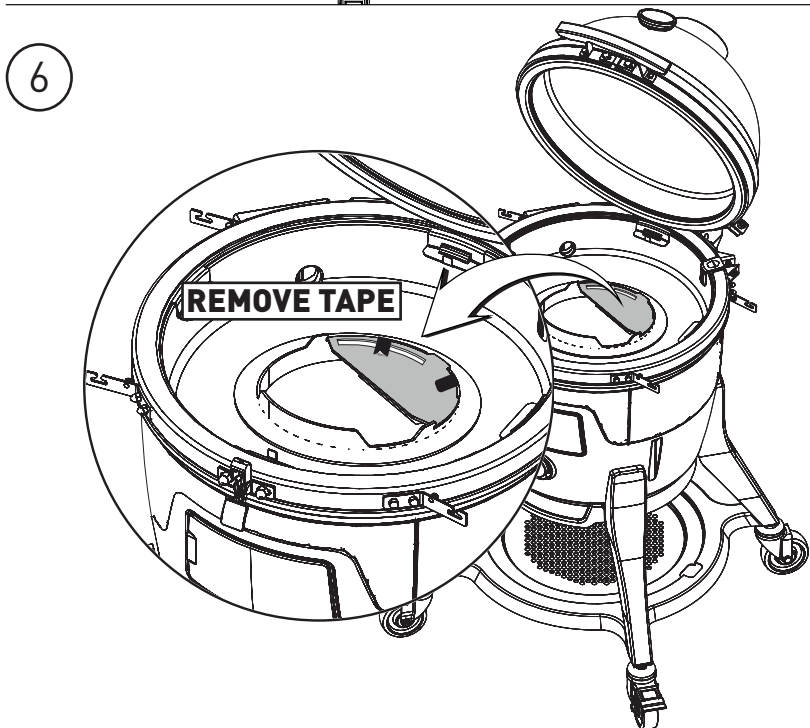
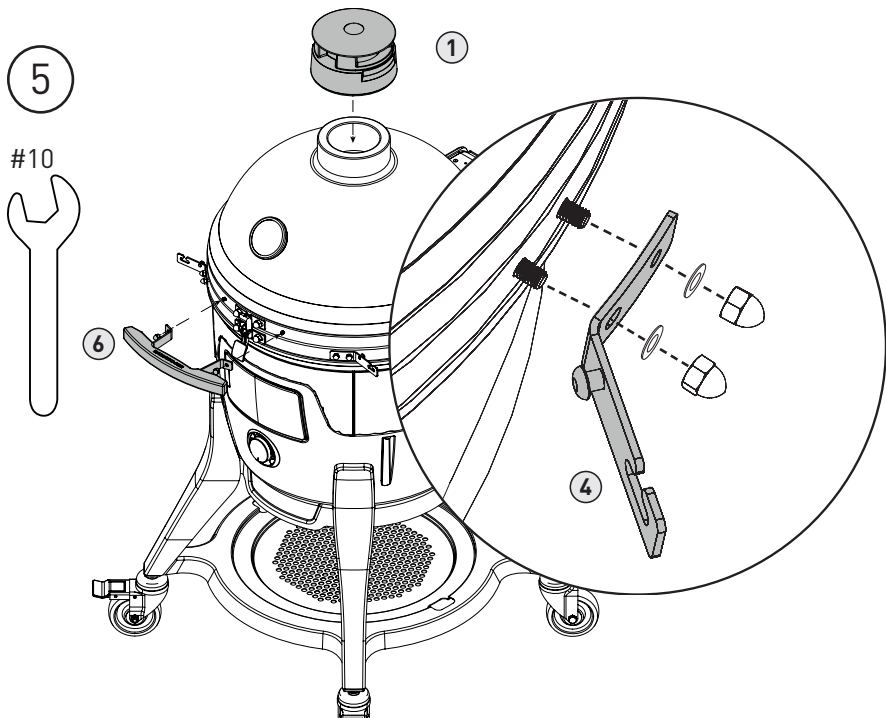
M6

X4

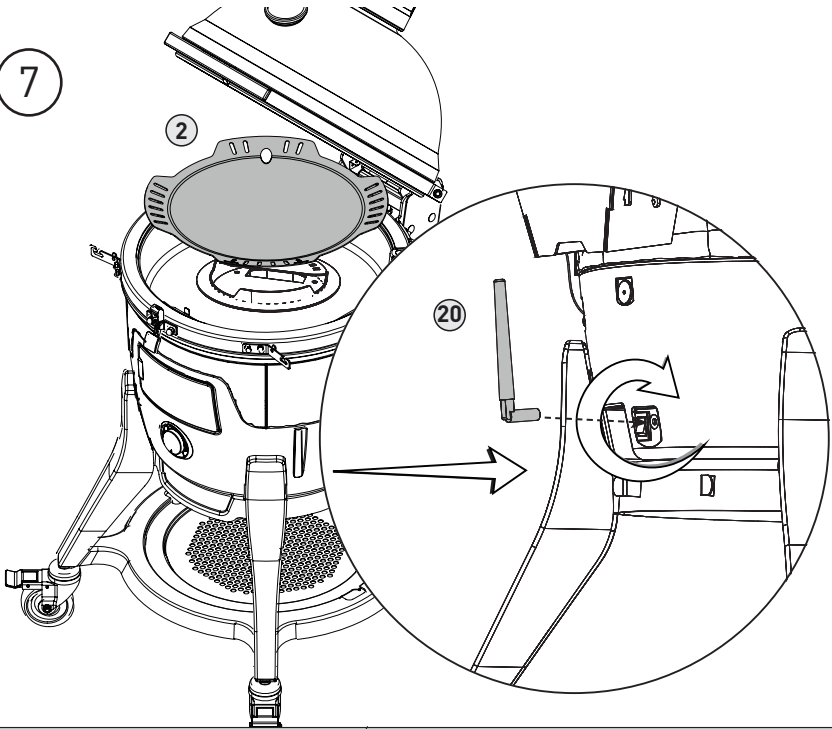


5mm

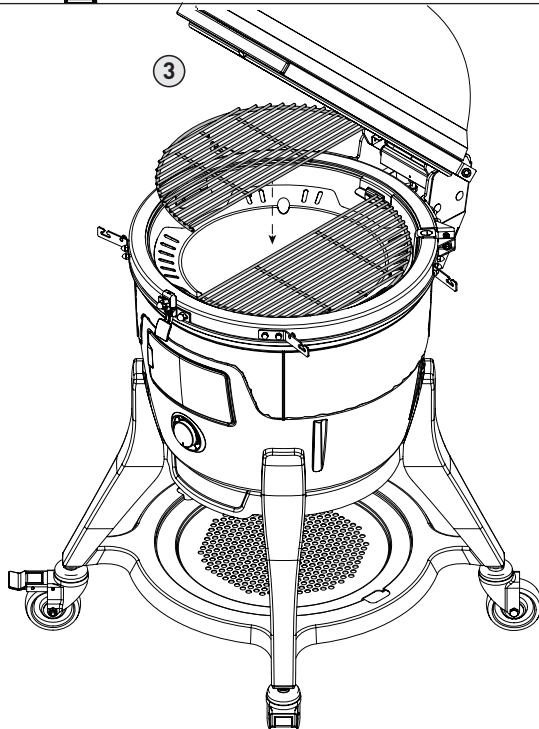




7



8

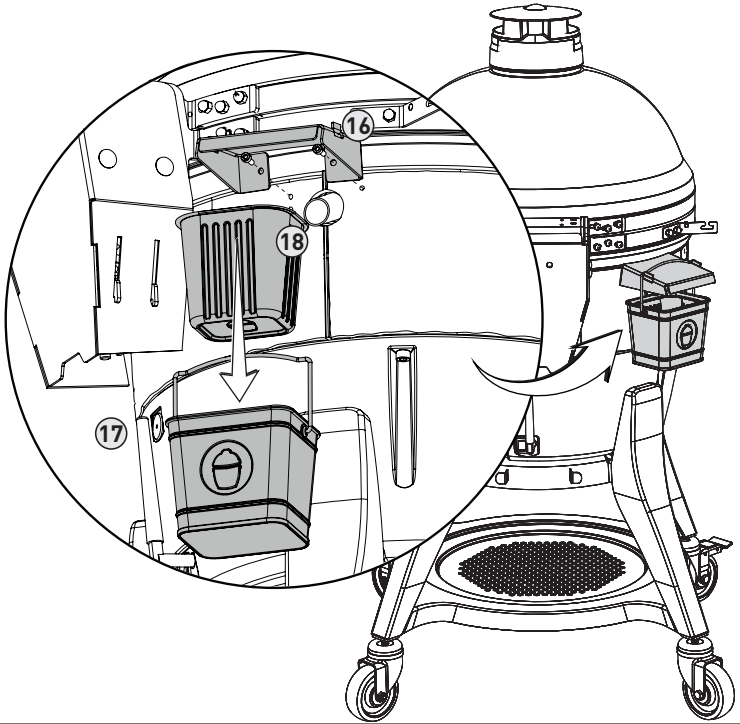


9

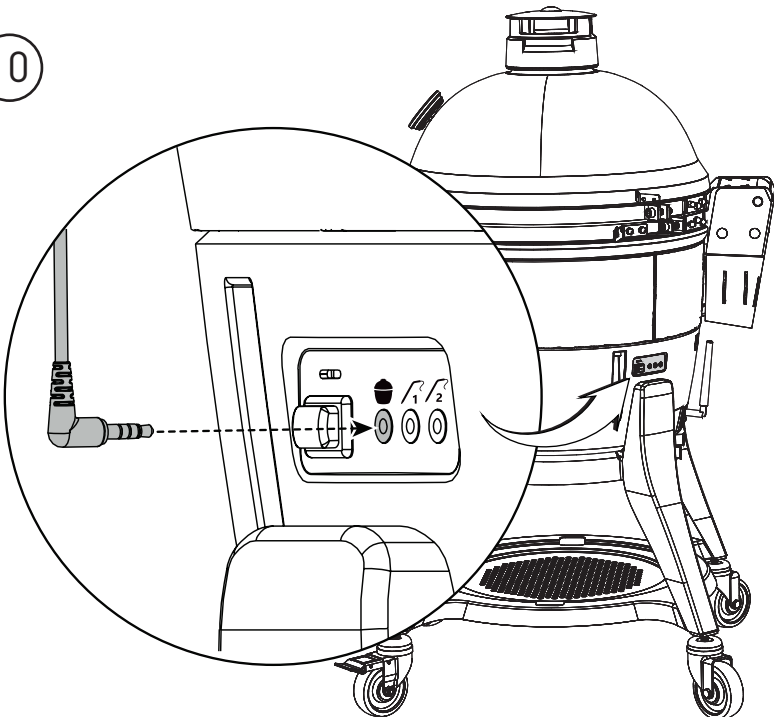
M5X10
X2



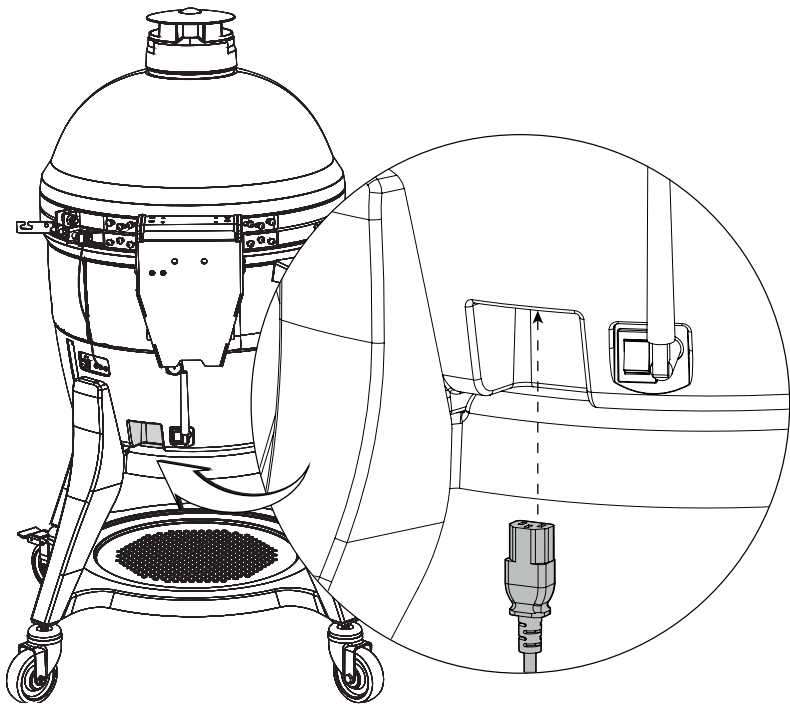
4mm



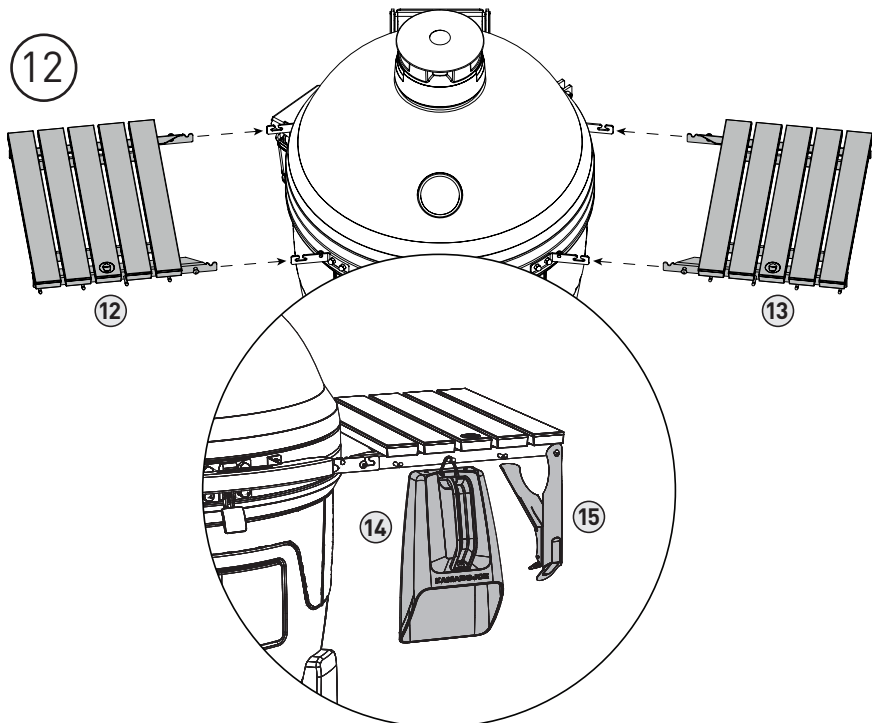
10



11



12



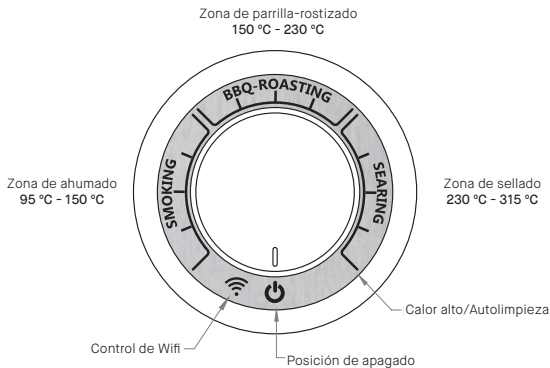
Guía de inicio rápido

OPERACIÓN DE SU PELLETT JOE

- 1 Antes de encender la parrilla, llene la tolva con hasta 4,5 kg de perlas de madera para alimentos.
- 2 Para encender la parrilla, enchúfela y dele vuelta al interruptor en la parte de atrás de la parrilla. Una luz de estado se iluminará cerca de los Puertos de la Sonda en la parte de atrás de la parrilla.
- 3 Gire la perilla frontal a la temperatura deseada o gire la perilla a la configuración de wifi para controlarla de manera inalámbrica a través de la aplicación. Si la perilla no se ajusta en wifi, la aplicación no podrá controlar la parrilla.
- 4 SIEMPRE CONSERVE EL DUCTO SUPERIOR EN POSICIÓN ABIERTA CUANDO OPERE LA PARRILLA.
- 5 La ventilación debe estar abierta siempre que la parrilla esté encendida.
- 6 Una vez completada la cocción, gire la perilla a la posición de apagado (OFF). No desenchufe o apague la parrilla en este momento. La parrilla está apagada, pero el ventilador seguirá funcionando por 15 minutos. Esto evitará cualquier quemadura en el barro. Una vez que el ventilador se ha apagado automáticamente, dele vuelta al interruptor en la parte de atrás de la parrilla. Una vez que se haya enfriado la parrilla, desenchúfela, cúbrala y guárdela en un lugar seco.
- 7 Cierre la ventilación después de que la parrilla esté APAGADA y haya completado la secuencia de apagado.
- 8 Siempre guarde las perlas en un lugar fresco y seco. Cualquier contacto o exposición a la humedad dará como resultado una salida menor del calor o hará que las perlas se hinchen y quiebran. Use un balde o cubeta resistente a la humedad y resellable para un correcto almacenamiento.
- 9 Si la parrilla se guarda al exterior durante la temporada de lluvias o estaciones de alta humedad, se debe tener cuidado de asegurar que el agua no ingrese a la tolva. Cuando se mojan o exponen a alta humedad, las perlas de madera se expanden bastante, se descomponen y pueden atascar el sistema de alimentación. Siempre desconecte la energía, antes de realizar cualquier servicio o mantenimiento.

INFORMACIÓN ADICIONAL:

- 1 La puerta de la tolva debe estar cerrada para que funcione el Pellet Joe.
- 2 El Pellet tarda aproximadamente 10 minutos para que las perlas se enciendan completamente. Se requieren unos 10 minutos adicionales para alcanzar la temperatura configurada.
- 3 El aire de convección puede hacer que la temperatura del termómetro de la tapa varíe ligeramente de la temperatura configurada.
- 4 Nunca abra la tapa de la parrilla cuando emita gran cantidad de humo, esto podría hacer que las perlas se enciendan súbitamente, lo que podría causar lesiones. Mantener la tapa cerrada controlará y contendrá la ignición de las perlas.
- 5 Las perlas de madera de ignición limpia para barbacoa generan unos 8200 BTU por libra (0,45 kg) con muy poca ceniza, un bajo contenido de humedad (5-7%) y son neutras en carbono.



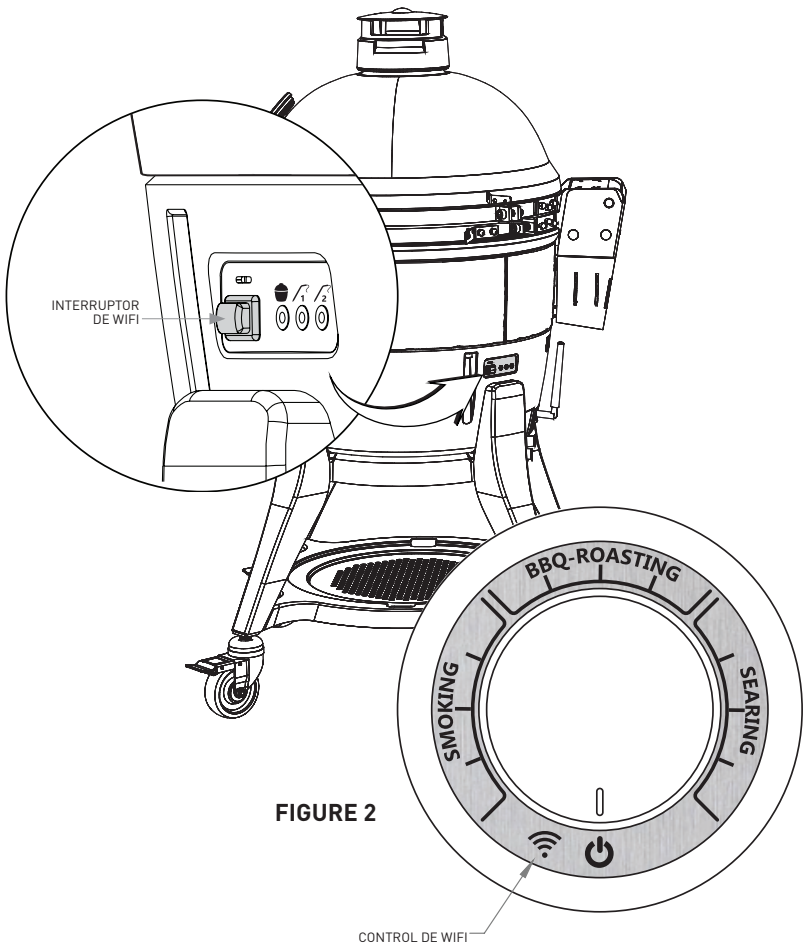
WiFi

EMPAREJAMIENTO DE DISPOSITIVOS

1. Descargue la aplicación del Kamado Joe del Apple Store o de Google Play a su(s) dispositivo(s) inteligente(s).
2. Una vez terminada la descarga, abra la aplicación del Kamado Joe y siga las instrucciones para el emparejamiento de la parrilla con el(los) dispositivo(s) inteligente(s).

USO DE WIFI PARA CONTROLAR LA PARRILLA

1. Gire la perilla frontal a la configuración de wifi. [ver figura 2] si la perilla no se gira a wifi, la aplicación no podrá controlar la parrilla.
2. Siga las instrucciones de la aplicación.



Ajustes de la bisagra neumática clásica

La bisagra neumática de su Pellet Joe ya viene previamente ajustada para un equilibrio y estabilidad ideales. Siga estas instrucciones para cualquier ajuste adicional, según sus preferencias personales.

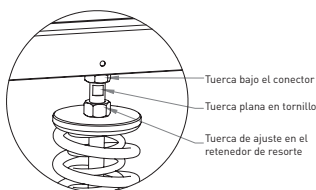
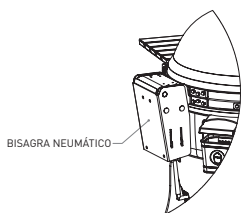
Precaución: Bisagra neumática bajo alta tensión.

BISAGRA DEL PELLET JOE

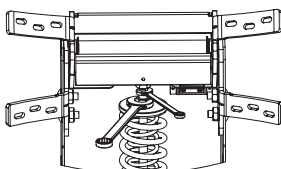
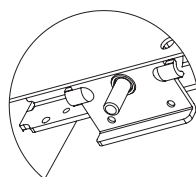
- 1 Abra el domo de su parrilla Pellet Joe.
- 2 Con el domo abierto, coloque la llave de 7 mm en los planos del tornillo (ver recuadro 1). Si su unidad no tiene planos, coloque una llave de tubo en el extremo inferior del tornillo en vez de usar la llave (ver recuadro 2).
- 3 Coloque la llave en la tuerca sobre el retenedor de resorte (ver recuadro 1).
- 4 Para facilitar la elevación del domo, sostenga la llave fija y gire la otra llave hacia la derecha como se muestra. Retire las llaves y verifique la acción del domo para cada rotación completa de la tuerca. Si desea que el domo se sienta más pesado, gire la tuerca hacia la izquierda. Retire las llaves y verifique la acción del domo para cada rotación completa de la tuerca. No ajuste la tuerca para que pueda contactar a la tuerca que está debajo del conector (ver recuadro 1).

INFORMACIÓN DE SEGURIDAD SOBRE LA BISAGRA

No intente desensamblar la bisagra de su parrilla sin los accesorios adecuados. Si intenta usar la bisagra como punto de elevación, sostenga a bisagra cerca del punto de montaje y/o las bandas, no de la parte inferior. Sólo deben hacerse pequeños ajustes al peso del domo, según las instrucciones de la página anterior.



INSERTO 1

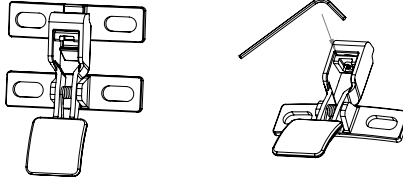


Ajustes del seguro

El seguro de su Pellet Joe ya está preconfigurado como sello ultra hermético. Use estas instrucciones si necesita hacer algún ajuste.

SEGURO DEL PELLET JOE

Para ajustar y aflojar la configuración del seguro, use una llave Allen pequeña. Ajuste el tornillo a presión para bajar la placa del seguro y añadir el espaciador. Una vez añadido el espaciador, reinstale la placa del seguro ajustando el tornillo a presión.



Información de seguridad

PRECAUCIÓN

La bisagra y banda están bajo alta tensión; si no se siguen los pasos de las instrucciones, podrían producirse lesiones graves.

BISAGRA

No intente desensamblar la bisagra o aflojar las bandas de su parrilla sin el kit de herramientas de desenganche de la bisagra.

NOTA: El kit de herramientas de desenganche de la bisagra (espaciador, arandela y tuerca hexagonal) viene incluido. Guarde estas piezas en caso que se tenga que retirar posteriormente la bisagra. La bisagra no puede retirarse con seguridad sin estas piezas.

Use la cara inferior y la abertura del ducto inferior frontal como puntos de elevación (No levante la parrilla por la bisagra, las abrazaderas de bandas o el asa, ya que esto podría hacer que el domo se desaloje de la banda).

Sólo deben hacerse pequeños ajustes al peso del domo, según las instrucciones de la página 20.

JUNTA

Se recomienda la autolimpieza a través de un ciclo de calor natural.

No use limpiadores químicos en la junta.

Si es absolutamente necesario, limpie suavemente cualquier derrame o traza de humedad. No frote o raspe la junta si está limpiándola. Raspar excesivamente puede causar desgaste.

Limpieza y cuidado

Hemos diseñado y creado su parrilla Pellet Joe con materiales de alta calidad, por lo que el mantenimiento y cuidado general son mínimos. Realice el fácil proceso de mantenimiento y autolimpieza con regularidad para asegurarse de proteger su Pellet Joe de los elementos con una cubierta para parrillas.

LIMPIEZA DE MANTENIMIENTO

- 1 Asegúrese de que el deflector de calor y la bandeja de goteo estén en su lugar.
- 2 Gire la perilla a la configuración de calor más alta y permita que la temperatura dentro de la parrilla alcance al menos los 315°C con el domo cerrado.
- 3 Mantenga la temperatura a unos 315°C por 10 minutos.
- 4 Gire la perilla del regulador a la posición de OFF.

Este proceso de autolimpieza quema cualquier residuo indeseado del interior de la parrilla y bandeja de goteo. Antes de volver a cocinar, cepille la rejilla de cocción con un cepillo para parrillas estándar. Use un cepillo de cerdas suaves en la cerámica, bandeja de goteo y deflector de calor para retirar cualquier residuo.

LIMPIEZA GENERAL

Luego de una larga cocción, pueden haber cenizas dentro de la parrilla del consumo de las perlas. Use una aspiradora para limpiar el interior de la parrilla cuando sea necesario. SÓLO haga esto cuando la parrilla esté completamente fría.

Una o dos veces al año, debe hacer una limpieza más profunda de la parte interna de la parrilla. Retire los componentes internos y retire cualquier ceniza o escombros residual que se haya recogido entre el cuerpo de la parrilla y los componentes internos. Use un cepillo de cerdas de plástico para limpiar la superficie cerámica interna y recoja con una cuchara los escombros de la parte inferior de la parrilla antes de reemplazar los componentes internos. Vacíe la tolva. Aspire todos los escombros de perlas que se hayan quedado dentro de la tolva.

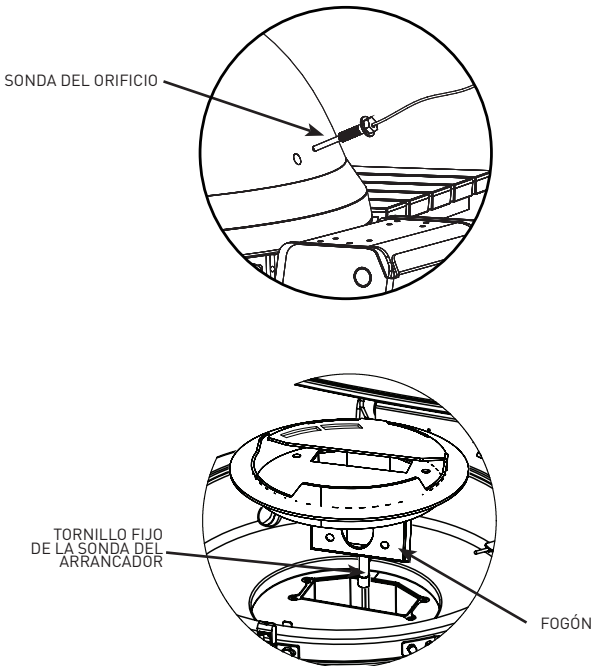
Reemplazo de piezas

REEMPLAZO DE LA Sonda DEL ORIFICIO

- 1 Deslice la sonda fuera del orificio. Reemplace la sonda dañada.
- 2 Asegúrese de enchufar la nueva sonda en el puerto de la sonda correspondiente detrás de la parrilla.

REEMPLAZO DE LA Sonda DEL ARRANCADOR

- 1 Retire las dos tuercas que aseguran la estufa.
- 2 Levante el fogón y destornille el tornillo a presión pequeño que está debajo del fogón.
- 3 Reemplace la sonda del arrancador dañada, ajuste el tornillo a presión y asegure el fogón. El encendedor debe sobresalir en la caja de fuego por $3/4$ "(20MM)



Detección y solución de problemas

Si algo no funciona bien, el LED cerca de los puertos de la sonda parpadean con un color específico o suena una alarma, correspondiente a uno de los errores a continuación. Estos códigos también se muestran en la aplicación.

Problema	Color	Alarma	Causa	Solución posible
Err 1	ROJO SÓLIDO	ON	La sonda del orificio no está conectada	1. Verifique que la conexión esté completamente asentada. 2. Desenchufe la sonda del orificio de la parrilla, espere 10 segundos y reconecte. 3. La sonda del orificio está defectuosa. Contacte al Servicio de atención al cliente.
Err 2	ROJO Y AMARILLO PARPADEANDO	OFF	Sonda para carne Mal funcionamiento	1. Sonda para carne dañada o sobrecalentada, reemplazar la sonda para carne.
Err 3	ROJO PARPADEANDO	ON	Parrilla sobrecalentada. La sonda del orificio alcanzó una temperatura mayor de 425 °C.	1. El ventilador funcionará al 50%, el barreno permanecerá apagado hasta que se alcance la temperatura configurada. 2. Apague su parrilla girando el dial a la posición de OFF (apagado). 3. Verifique la causa potencial del sobrecalentamiento. *Incendio de grasa *Demasiadas perlas en el crisol 4. Reinicie la parrilla.
Err 4	AMARILLO SÓLIDO	ON 5 minutos	La sonda del orificio no ha alcanzado los 65 °C en 20 minutos.	Su parrilla necesita 3 cosas para iniciar la cocción: *Aire (oxígeno) *Combustible (perlas) *Calor (humo o fuego) 1. Una vez que la parrilla se ha enfriado y está segura al tacto, retire la superficie de cocción y el ensamblaje de la bandeja de goteo de la parrilla. Retire el deflector de calor. Mire dentro del fogón para asegurarse que esté limpio y que haya una visibilidad total del elemento arrancador. 2. Asegúrese que la tolva de perlas y la parrilla estén encendidas (enchufadas, encendidas y su dial de control configurado en calor alto). 3. Gire el dial de control a calor alto. Mire dentro del fogón cuidadosamente, para ver si hay perlas cayendo en él (combustible). Sienta con la mano 8 cm por encima del fogón para asegurarse que el ventilador esté encendido y soplando aire a través de él (fogón). Huela el aire para ver si hay humo o busque señales visuales de humo o fuego (calor). 4. Si su parrilla no está calentando, verifique la conexión al arrancador o cambie el elemento arrancador. 5. Si las perlas no están cayendo en el crisol, verifique que no haya atascos, revise las conexiones del barreno o reemplace el motor del barreno. 6. Si el ventilador no está soplando aire, verifique las conexiones del ventilador o reemplácelo.
Err 5	VERDE Y AMARILLO PARPADEANDO	OFF	El termómetro de sonda para carne es mayor de 150 °C.	1. Con guantes de protección, retire la sonda para carne de la parrilla. 2. Desenchufe la sonda para carne del controlador. 3. Deje que la sonda para carne se enfrie antes de volver a enchufarla.
Err 6	MORADO SÓLIDO	OFF	La puerta de la tolva está abierta. El motor del barreno y los agitadores de perlas no van a funcionar si la puerta de la tolva está abierta.	1. Cierre la puerta de la tolva. 2. Verifique la conexión de la puerta de la tolva. 3. Reemplace el interruptor de la puerta de la tolva.
Err 7	AMARILLO PARPADEANDO	ON	El barreno ha sentido que hay un atasco de perlas y está intentando desatascarlo. La parrilla intentará desatascarse dos veces, luego pasará a una secuencia de cierre.	1. Si su parrilla ha pasado a la secuencia de cierre, deje que se enfrie completamente. 2. Intente retirar el atasco del barreno retirando todas las perlas de la tolva de perlas, luego apague la parrilla y vuelva a encenderla con la puerta de la tolva cerrada. 3. Si no puede eliminar el atasco del barreno, lleve su parrilla aparte para retirar el barreno y limpiarlo. *Vea instrucciones detalladas sobre cómo hacer esto aquí: www.kamadopro.com/pages/support
Err 8	MORADO PARPADEANDO	ON	El ventilador está bloqueado.	1. Asegúrese que la parrilla no tenga nada que bloquee la rejilla inferior de admisión de aire en la parte inferior de la parrilla. 2. Asegúrese que el ducto superior esté en la posición de abierto. 3. Verifique las conexiones del ventilador.
Err 9	AZUL PARPADEANDO, LUEGO AMARILLO	ON	El agitador está atascado y no puede voltearse.	1. Retire cualquier perla atascada alrededor de los brazos del agitador para arreglar el problema del atasco.
Err 10	AZUL PARPADEANTE	OFF	Señal de WiFi débil.	1. Coloque la antena en ángulo en la parte trasera de la parrilla para apuntar al suelo.
Err 11	VERDE PARPADEANTE	5 BIPS CUANDO HAYA TERMINADO	La parrilla está actualizando el firmware. Deje que la parrilla termine de actualizarse antes de seguir usándola.	1. No intente cocinar mientras la parrilla está actualizándose. 2. La parrilla necesita completa la actualización antes de que pueda seguir cocinando.
Err 12	MORADO Y AMARILLO PARPADEANDO	ON	La parrilla no pudo completar la actualización de firmware.	1. Apague la parrilla para permitir que ésta se reinicie con el firmware antiguo. 2. Vuelva a encender la parrilla e intente la actualización nuevamente.
HUMO EXCESIVO		OFF	La parrilla podría estarse precalentando.	1. Las perlas generan una gran cantidad de humo en el proceso de ignición. 2. Deje que la parrilla alcance la temperatura configurada antes de agregar los alimentos. 3. Si el humo excesivo continúa, reinicie su parrilla.
MODO MANUAL HABILITADO	VERDE SÓLIDO	OFF	La parrilla está en modo de cocción manual.	1. La parrilla está operando en modo de cocción manual. 2. La parrilla está cocinando en la temperatura seleccionada en el dial de control. 3. No puede usar la aplicación para configurar la temperatura de la parrilla en modo manual.
MODO WIFI HABILITADO	AZUL SÓLIDO	OFF	La parrilla está en modo WIFI.	1. Use la aplicación para controlar la temperatura de la parrilla. 2. La parrilla está cocinando en la temperatura configurada en la aplicación. 3. Si no desea usar la aplicación, coloque su parrilla en modo manual seleccionando una temperatura en el dial de control.

ENCIÉNDALO.

BÁJELE EL CALOR.

KAMADOJOE.COM