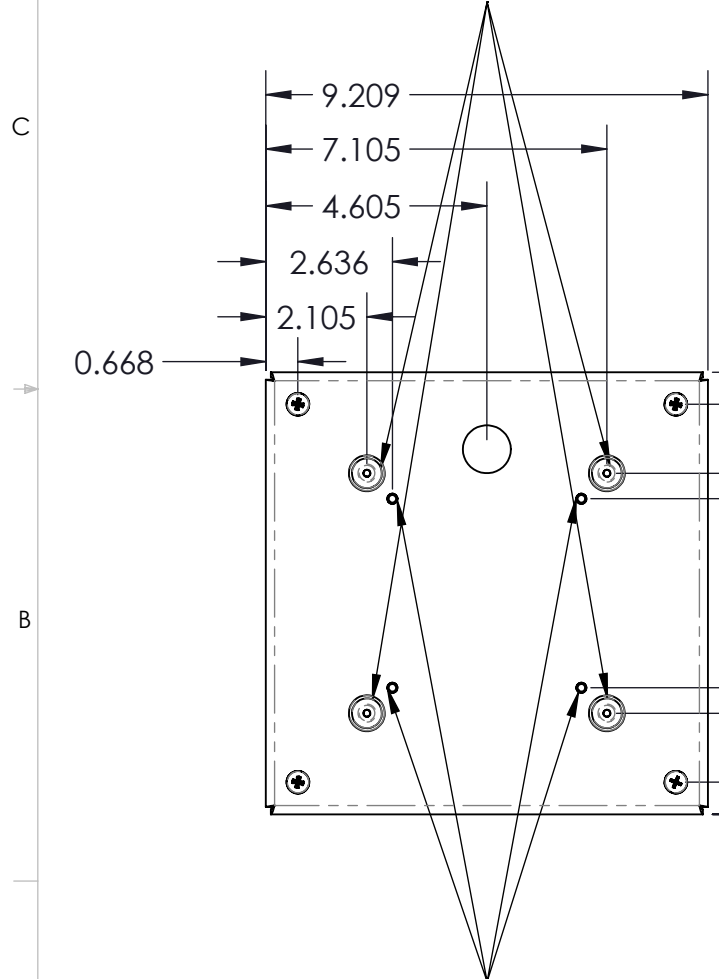
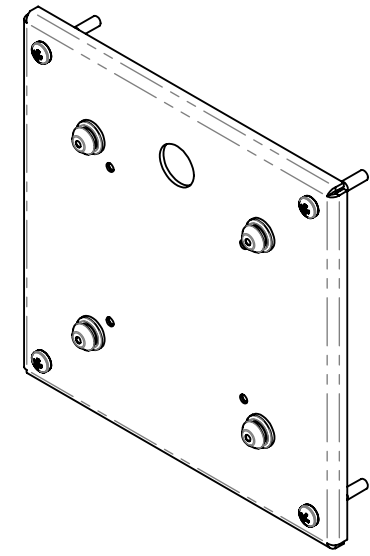


MOUNTING BUTTONS FIT INTO SLOTS ON Q2 SERIES MOUNT

THREAD ENGAGEMENT W/
40 MM SCREWS
1.095

THREAD ENGAGEMENT W/
25 MM SCREWS
0.505

THREAD ENGAGEMENT W/
20 MM SCREWS
0.286



ATTACH TO KONTOUR TYPE MOUNT USING THESE HOLES

ADDED DEPTH
W/ Q2 MOUNT
0.540

ADDED DEPTH
W/ KONTOUR MOUNT
0.480

THE INFORMATION AND DESIGNS CONTAINED IN THIS DRAWING ARE CONFIDENTIAL AND THE PROPRIETARY PROPERTY OF MILESTONE AV TECHNOLOGIES NEITHER THIS DESIGN NOR ANY INFORMATION CONTAINED IN THIS DRAWING MAY BE REPRODUCED OR DISCLOSED TO OTHERS WITHOUT THE EXPRESS WRITTEN CONSENT OF MILESTONE AV TECHNOLOGIES.

CAD GENERATED DRAWING.
DO NOT MANUALLY UPDATE.

DRAWN BY JS 12/9/2015

ENG APPROVAL

MFG APPROVAL

QA APPROVAL



6436 CITY WEST PKWY
EDEN PRAIRIE MN, 55344
PHONE: 866-977-3901
FAX: 877-894-6918

DESCRIPTION

FSB4226

SHEET 1 OF 1

SCALE
1:4

SIZE
A

DWG. NO.
TECH-000737

REV.
00