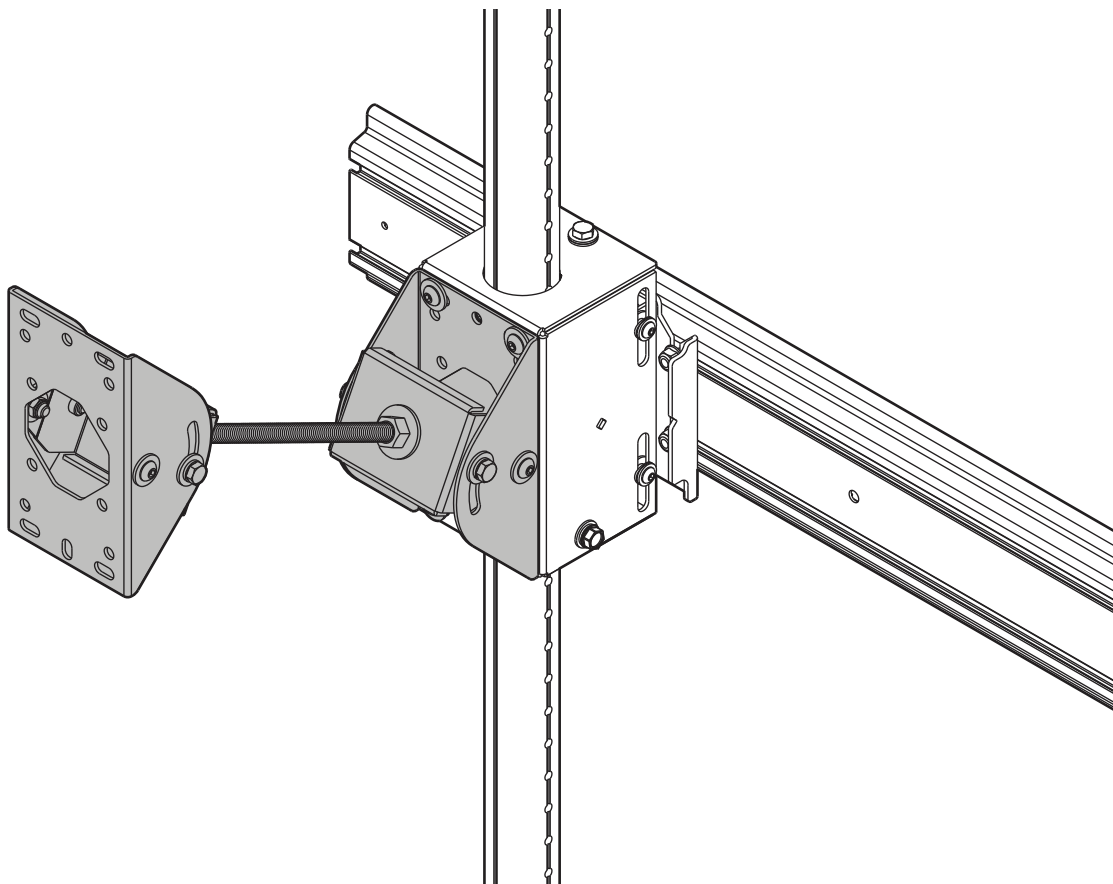

INSTALLATION INSTRUCTIONS



Threaded Rod Stabilizer Accessory

DISCLAIMER

Milestone AV Technologies and its affiliated corporations and subsidiaries (collectively "Milestone"), intend to make this manual accurate and complete. However, Milestone makes no claim that the information contained herein covers all details, conditions or variations, nor does it provide for every possible contingency in connection with the installation or use of this product. The information contained in this document is subject to change without notice or obligation of any kind. Milestone makes no representation of warranty, expressed or implied, regarding the information contained herein. Milestone assumes no responsibility for accuracy, completeness or sufficiency of the information contained in this document.

Chief® is a registered trademark of Milestone AV Technologies. All rights reserved.

DEFINITIONS

MOUNTING SYSTEM: A MOUNTING SYSTEM is the primary Chief product to which an accessory and/or component is attached.

ACCESSORY: AN ACCESSORY is the secondary Chief product which is attached to a primary Chief product, and may have a component attached or setting on it.

COMPONENT: A COMPONENT is an audiovisual item designed to be attached or resting on an accessory or mounting system such as a video camera, CPU, screen, display, projector, etc.



WARNING: A WARNING alerts you to the possibility of serious injury or death if you do not follow the instructions.



CAUTION: A CAUTION alerts you to the possibility of damage or destruction of equipment if you do not follow the corresponding instructions.



IMPORTANT SAFETY INSTRUCTIONS



WARNING: Failure to read, thoroughly understand, and follow all instructions can result in serious personal injury, damage to equipment, or voiding of factory warranty! It is the installer's responsibility to make sure all accessories are properly assembled and installed using the instructions provided.



WARNING: Failure to provide adequate structural strength for this accessory and the mounting system can result in serious personal injury or damage to equipment! It is the installer's responsibility to make sure the structure to which the mounting system and this accessory is attached can support five times the combined weight of all equipment.



WARNING: Exceeding the weight capacity can result in serious personal injury or damage to equipment! It is the installer's responsibility to make sure the combined weight of all components attached to mounting system does not exceed the weight capacity of the mounting system.



WARNING: Use this accessory only for its intended use as described in these instructions. Do not use attachments not recommended by the manufacturer.



WARNING: Never operate this accessory if it is damaged. Return the accessory to a service center for examination and repair.



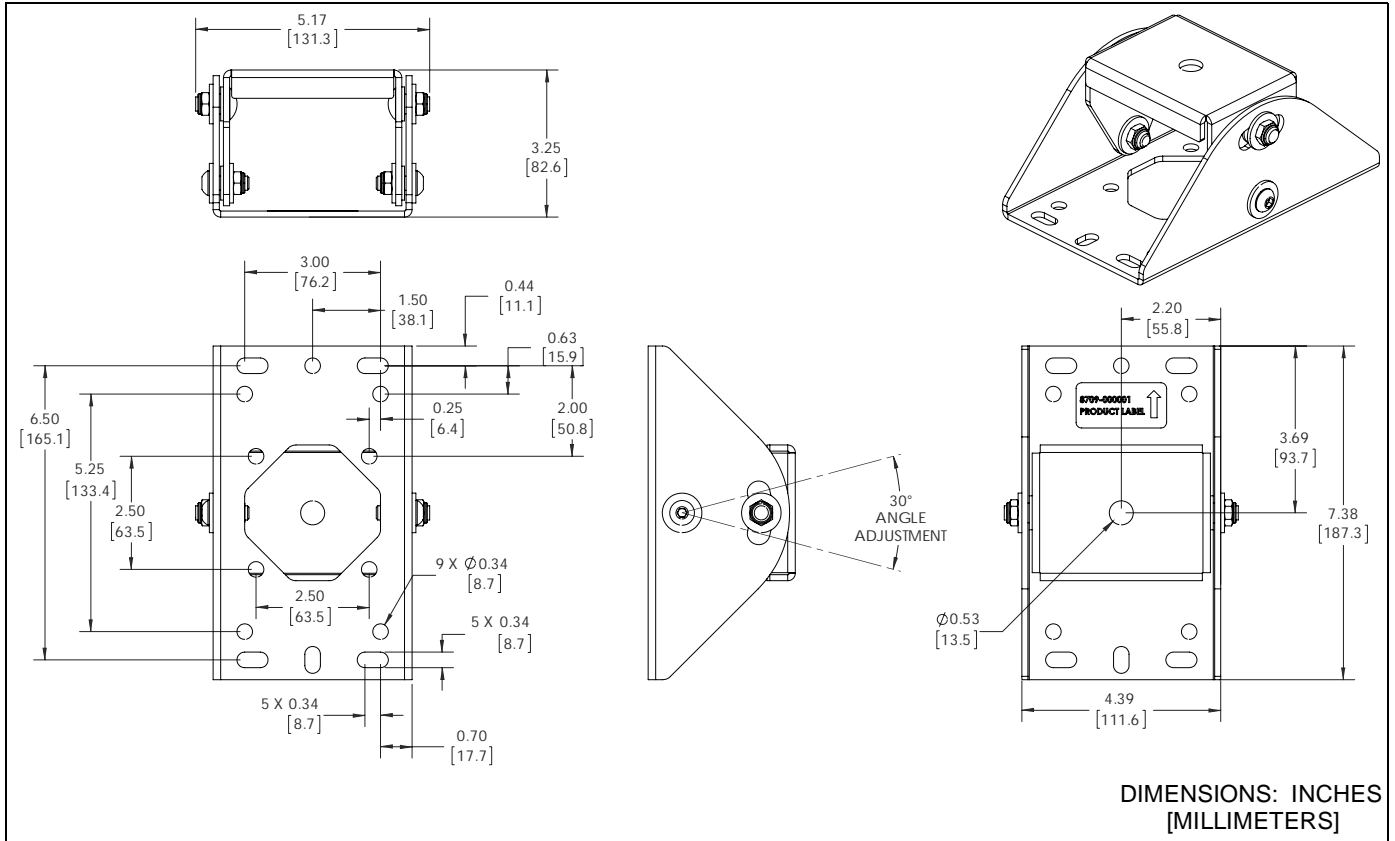
WARNING: Do not use this accessory outdoors.

IMPORTANT ! : The FMSSTRM accessory is designed to act as a threaded rod stabilizer between the Chief ceiling array head and walls or ceilings.

IMPORTANT ! : If attaching the stabilizer accessory to a metal or wood stud wall, the stabilizer accessory must be attached to the wall through a stud.

--SAVE THESE INSTRUCTIONS--

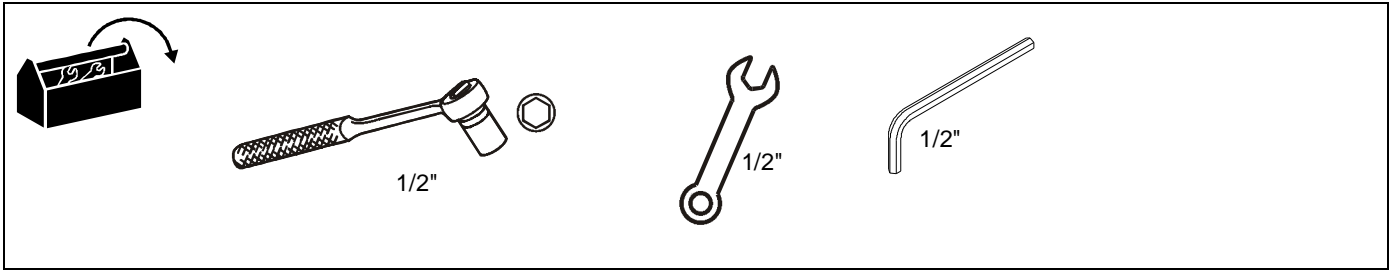
DIMENSIONS



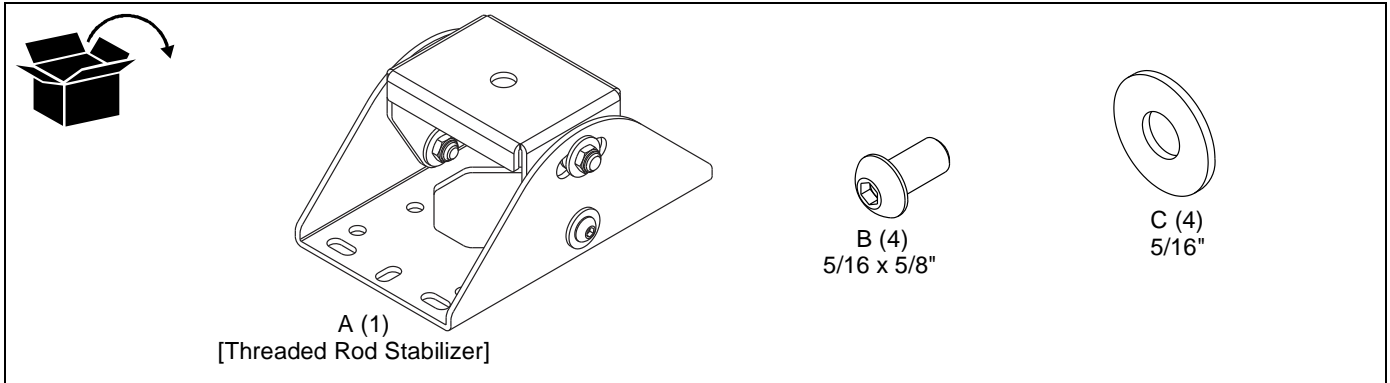
LEGEND

	Tighten Fastener		Open-Ended Wrench
	Apretar elemento de fijación		Llave de boca
	Befestigungsteil festziehen		Gabelschlüssel
	Apertar fixador		Chave de bocas
	Serrare il fissaggio		Chiave a punta aperte
	Bevestiging vastdraaien		Steeksleutel
Serrez les fixations	Clé à fourche		
	Loosen Fastener		Hex-Head Wrench
	Aflojar elemento de fijación		Llave de cabeza hexagonal
	Befestigungsteil lösen		Sechskantschlüssel
	Desapertar fixador		Chave de cabeça sextavada
	Allentare il fissaggio		Chiave esagonale
	Bevestiging losdraaien		Zeskantsleutel
Desserrez les fixations	Clé à tête hexagonale		

TOOLS REQUIRED FOR INSTALLATION

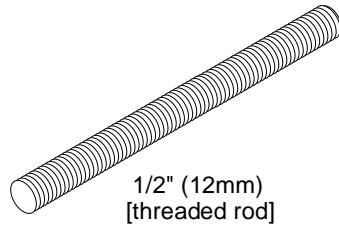


PARTS



REQUIRED PARTS - EXAMPLE (not included)

The FMSSTRM accessory requires threaded metal rods to complete installation of the stabilizer accessory. Appropriate hardware (suggested by threaded rod manufacturer) is also required.



ASSEMBLY AND INSTALLATION

IMPORTANT ! : The FMSSTRM accessory is designed to act as a threaded rod stabilizer between the Chief ceiling array head and walls or ceilings.

1. Attach threaded rod stabilizer accessory (A) to the ceiling mounting system using four 5/16 x 5/8" button head screws (B), and four 5/16" flat washers (C). (See Figure 1)

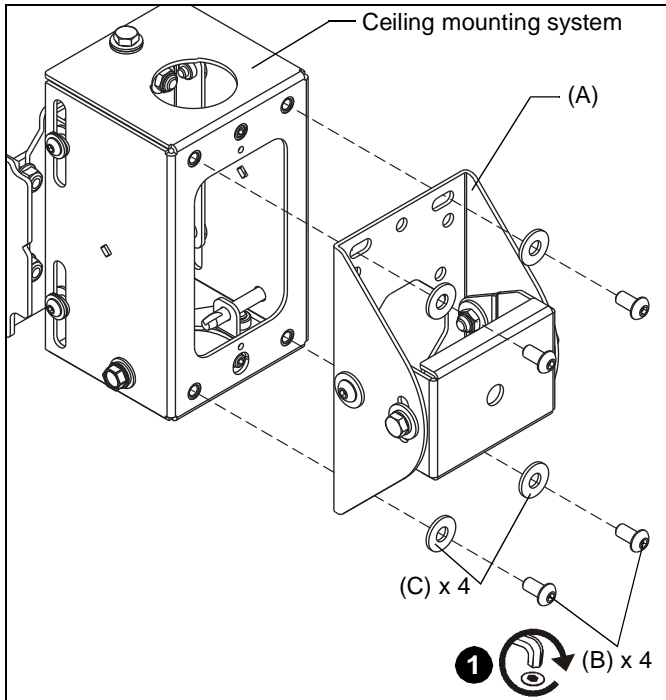


Figure 1

2. Attach 1/2" (or 12mm) threaded rod (not included) to threaded rod stabilizer accessory (A) using the appropriate hardware. (See Figure 2)

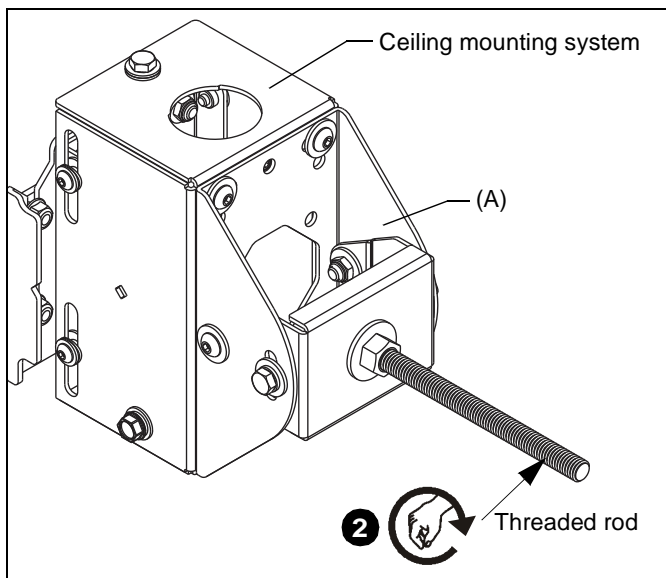


Figure 2

3. Attach a second threaded rod stabilizer accessory (A) to the opposite end of the threaded rod, using the appropriate hardware. (See Figure 3)

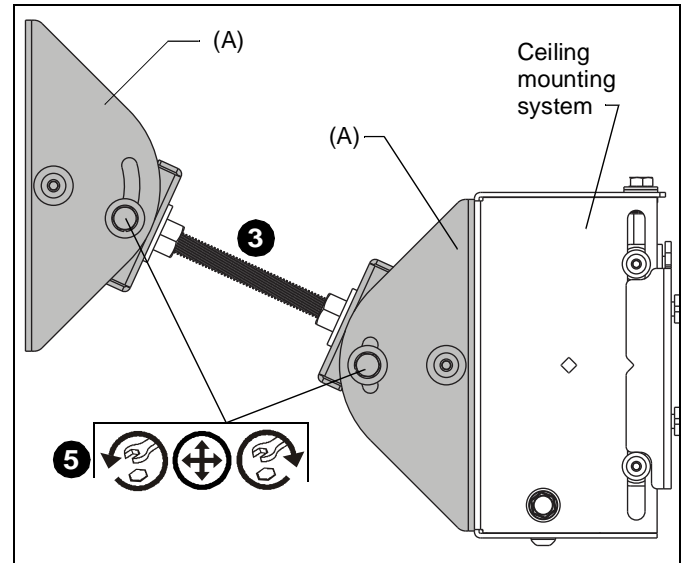


Figure 3

4. Decide where threaded rod stabilizer accessory should be attached to the walls or ceilings to offer the required stabilization.

NOTE: Attempt to keep threaded rod force in a straight line, and keep the threaded rod length as short as possible in order to maintain rigidity in the system.

NOTE: The FMSSTRM angle may be adjusted $\pm 15^\circ$.

5. Adjust the FMSSTRM angle so that stabilizer accessory is seated flat against the ceiling or wall. (See Figure 3)
 - Loosen lock nuts on each side of stabilizer accessory (A)
 - Adjust angle of stabilizer accessory (A)
 - Tighten lock nuts on each side of stabilizer accessory (A).
6. Mark locations for fasteners through the stabilizer accessory (A) mounting holes.
7. Attach threaded rod stabilizer accessory to wall or ceiling as desired for stabilizing, using appropriate hardware for various wall constructions.



Our Mounts. **Your Vision.**

Chief, a products division of
Milestone AV Technologies

8800-002974 Rev00
©2017 Milestone AV Technologies
www.milestone.com
05/17

USA/International	A 6436 City West Parkway, Eden Prairie, MN 55344
	P 800.582.6480 / 952.225.6000
	F 877.894.6918 / 952.894.6918
Europe	A Franklinstraat 14, 6003 DK Weert, Netherlands
	P +31 (0) 495 580 852
	F +31 (0) 495 580 845
Asia Pacific	A Office No. 918 on 9/F, Shatin Galleria 18-24 Shan Mei Street Fotan, Shatin, Hong Kong
	P 852 2145 4099
	F 852 2145 4477

