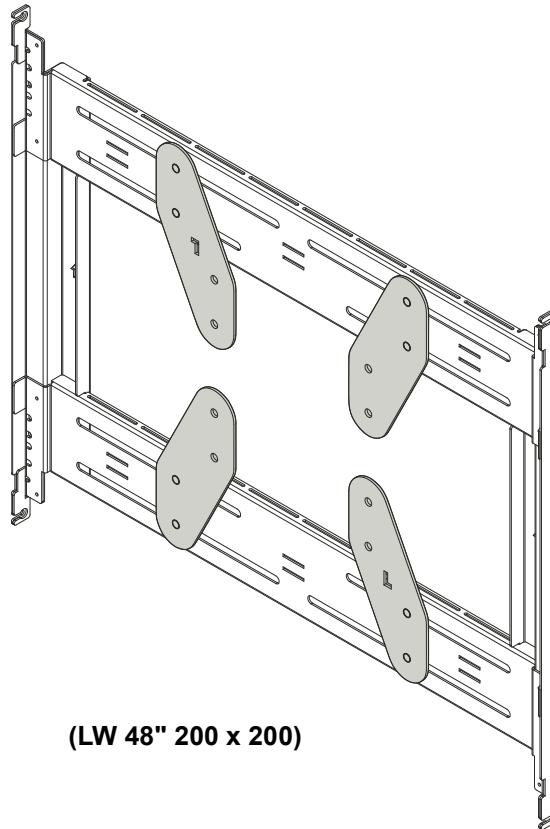

INSTALLATION INSTRUCTIONS



(LW 48" 200 x 200)

VESA Adapter for Kiosk Mounts

 **CHIEF**[®]

A brand of  **legrand**[®]

FHBUL

DISCLAIMER

Legrand | AV and its affiliated corporations and subsidiaries (collectively “Legrand | AV”), intend to make this manual accurate and complete. However, Legrand | AV makes no claim that the information contained herein covers all details, conditions or variations, nor does it provide for every possible contingency in connection with the installation or use of this product. The information contained in this document is subject to change without notice or obligation of any kind. Legrand | AV makes no representation of warranty, expressed or implied, regarding the information contained herein. Legrand | AV assumes no responsibility for accuracy, completeness or sufficiency of the information contained in this document.

Chief® is a registered trademark of Legrand AV Inc.

DEFINITIONS

MOUNTING SYSTEM: A MOUNTING SYSTEM is the primary Chief product to which an accessory and/or component is attached.

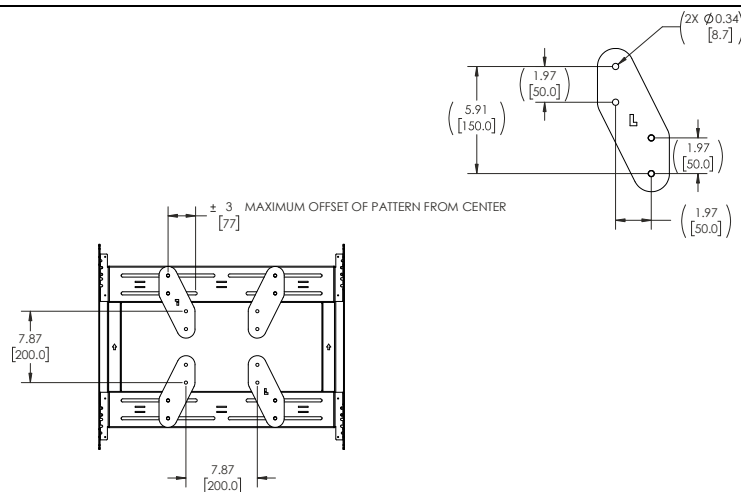
ACCESSORY: AN ACCESSORY is the secondary Chief product which is attached to a primary Chief product, and may have a component attached or setting on it.

COMPONENT: A COMPONENT is an audiovisual item designed to be attached or resting on an accessory or mounting system such as a video camera, CPU, screen, display, projector, etc.

WARNING: A WARNING alerts you to the possibility of serious injury or death if you do not follow the instructions.

CAUTION: A CAUTION alerts you to the possibility of damage or destruction of equipment if you do not follow the corresponding instructions.

DIMENSIONS



LW46, LW47, AND LW48 KIOSK, 200X200 PATTERN

NOTE:
 1. KIOSK/MONITOR DEPTH CAPACITY REDUCED BY .125 (3.2mm) WHEN BRACKETS USED
 2. KIOSK WEIGHT CAPACITY REDUCED BY 5lbs WHEN BRACKETS USED

IMPORTANT SAFETY INSTRUCTIONS

WARNING: Failure to read, thoroughly understand, and follow all instructions can result in serious personal injury, damage to equipment, or voiding of factory warranty! It is the installer’s responsibility to make sure all accessories are properly assembled and installed using the instructions provided.

WARNING: Exceeding the weight capacity can result in serious personal injury or damage to equipment! It is the installer’s responsibility to make sure the combined weight of all components attached to the FHBUL interface brackets up to and including the display does not exceed the LESSER of:

- 200 lbs (90.7 kg) or
- [the weight limit of the mounting system to which it is attached] minus 5 lbs (2.26 kg)

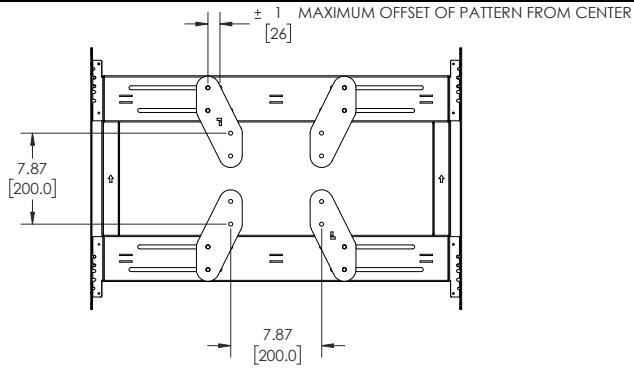
WARNING: Use this accessory only for its intended use as described in these instructions. Do not use attachments not recommended by the manufacturer.

WARNING: Never operate this accessory if it is damaged. Return the accessory to a service center for examination and repair.

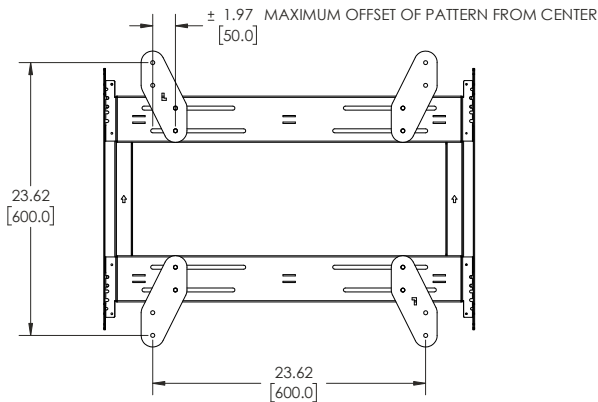
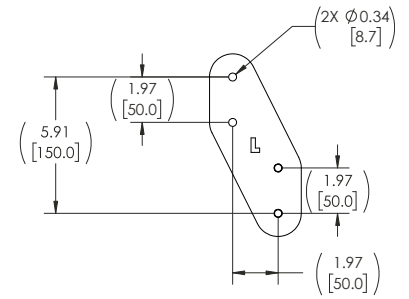
WARNING: Do not use this product outdoors.

--SAVE THESE INSTRUCTIONS--

DIMENSIONS (CONTINUED)

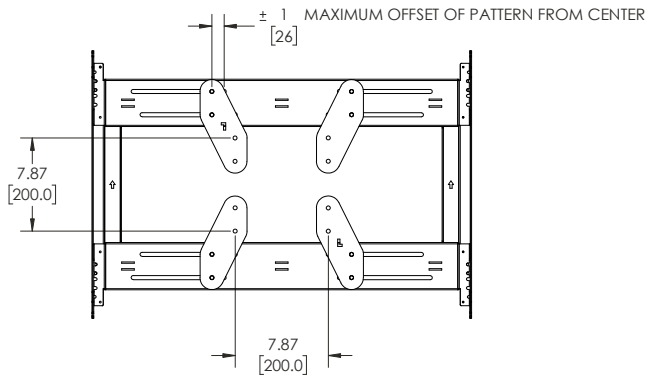


LW49, LW50, AND LW55 KIOSK, 200X200 PATTERN

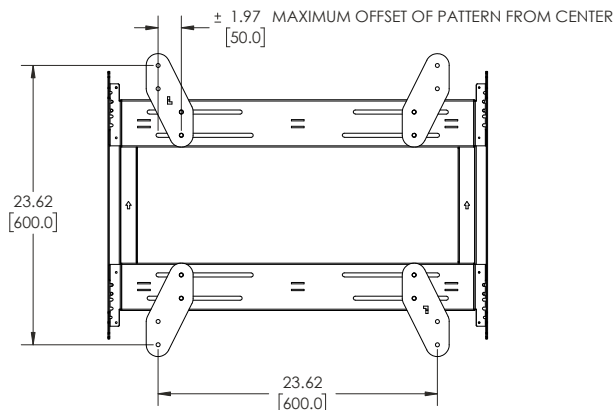
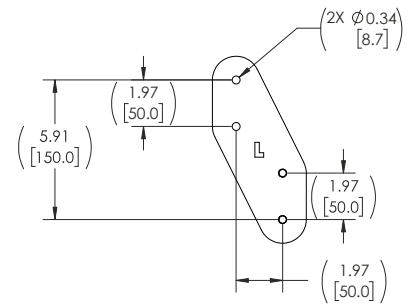


LW49, LW50, AND LW55 KIOSK, 600X600 PATTERN

- NOTE:
 1. KIOSK/MONITOR DEPTH CAPACITY REDUCED BY .125 (3.2mm) WHEN BRACKETS USED
 2. KIOSK WEIGHT CAPACITY REDUCED BY 5lbs WHEN BRACKETS USED



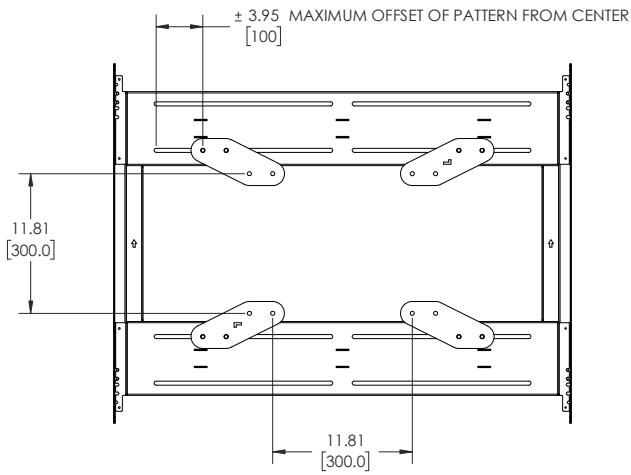
LW49, LW50, AND LW55 KIOSK, 200X200 PATTERN



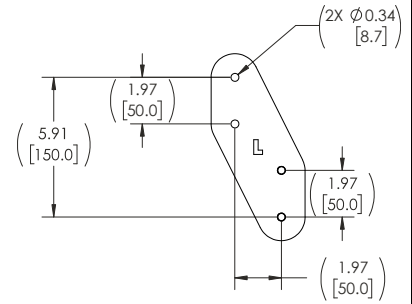
LW49, LW50, AND LW55 KIOSK, 600X600 PATTERN

- NOTE:
 1. KIOSK/MONITOR DEPTH CAPACITY REDUCED BY .125 (3.2mm) WHEN BRACKETS USED
 2. KIOSK WEIGHT CAPACITY REDUCED BY 5lbs WHEN BRACKETS USED

DIMENSIONS (CONTINUED)

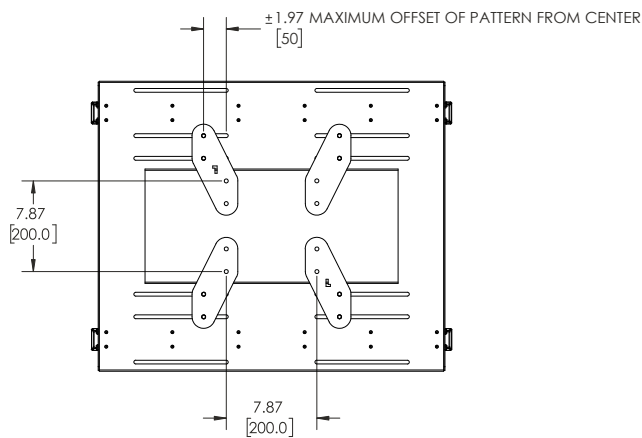


LW65 AND LW70 KIOSK, 300X300 PATTERN

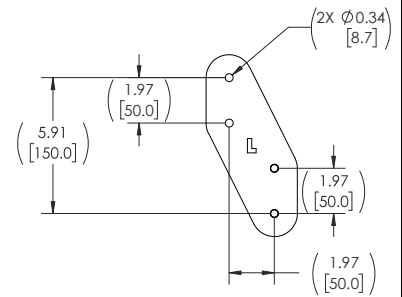


NOTE:

1. KIOSK/MONITOR DEPTH CAPACITY REDUCED BY .125 (3.2mm) WHEN BRACKETS USED
2. KIOSK WEIGHT CAPACITY REDUCED BY 5lbs WHEN BRACKETS USED



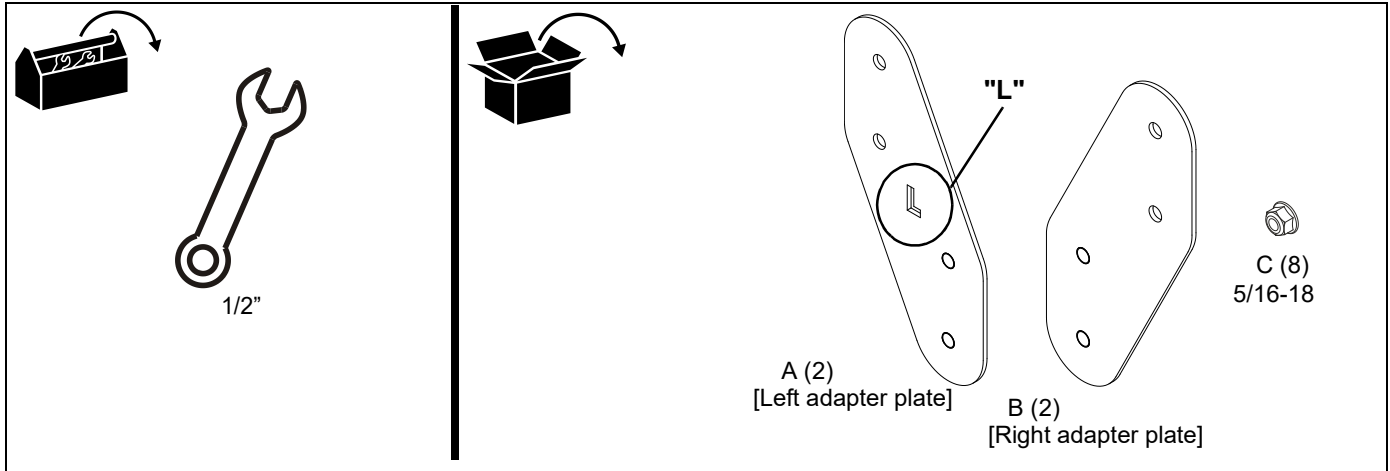
LF49, LF50, AND LF55 KIOSK, 200X200 PATTERN



NOTE:

1. KIOSK/MONITOR DEPTH CAPACITY REDUCED BY .125 (3.2mm) WHEN BRACKETS USED
2. KIOSK WEIGHT CAPACITY REDUCED BY 5lbs WHEN BRACKETS USED

TOOLS/PARTS REQUIRED FOR INSTALLATION



ASSEMBLY AND INSTALLATION

1. Fully assemble kiosk mounting system according to the installation instructions included with mounting system.
2. Review dimension drawings on pages 2-4 to find suggested mounting configurations based on kiosk model and VESA pattern of display being installed.
3. Use eight 5/16-18 hex nuts (C) to install adapter plates (A) and (B) to kiosk based on mounting configuration determined in previous step. (See Figure 1) or (See Figure 2) for examples.

NOTE: "Left" adapter plates can be identified by the "L" located on the center of the plate. See graphic on parts list.

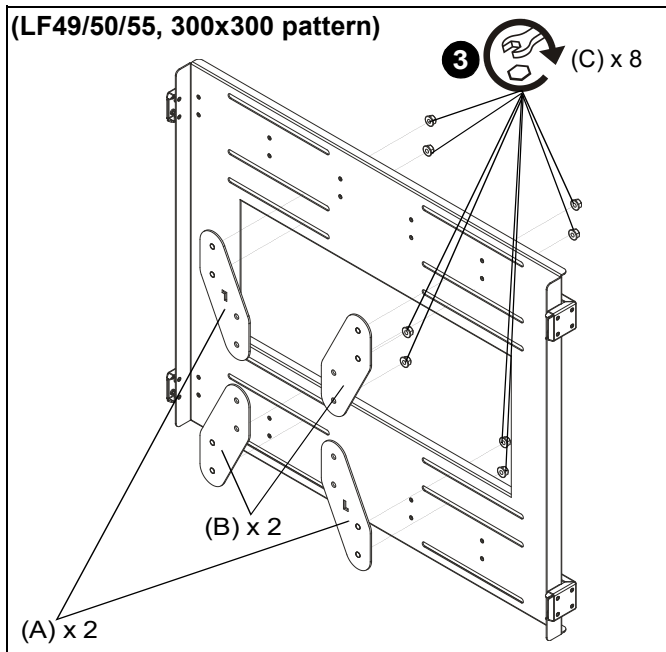


Figure 1

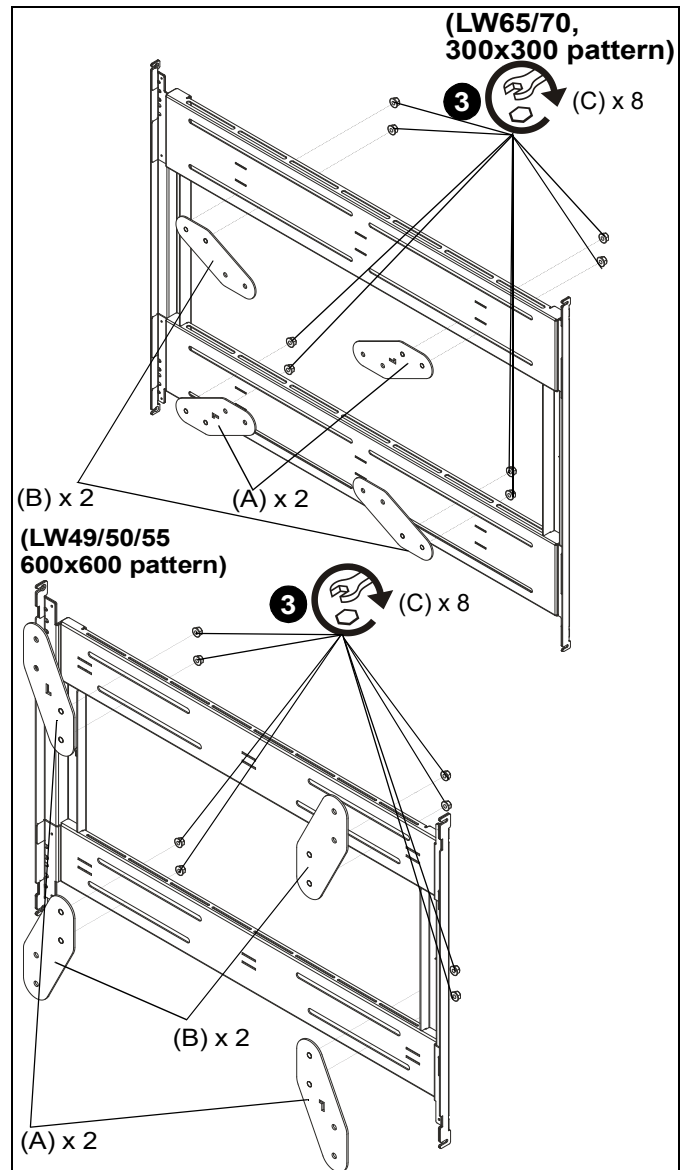


Figure 2

4. Install display to adapter brackets.



A brand of  **legrand**

8800-003155 Rev02
©2019 Legrand | AV
www.legrandav.com
10/19

USA/International	A 6436 City West Parkway, Eden Prairie, MN 55344 P 800.582.6480 / 952.225.6000 F 877.894.6918 / 952.894.6918
Europe	A Franklinstraat 14, 6003 DK Weert, Netherlands P +31 (0) 495 580 852 F +31 (0) 495 580 845
Asia Pacific	A Office No. 918 on 9/F, Shatin Galleria 18-24 Shan Mei Street Fotan, Shatin, Hong Kong P 852 2145 4099 F 852 2145 4477

