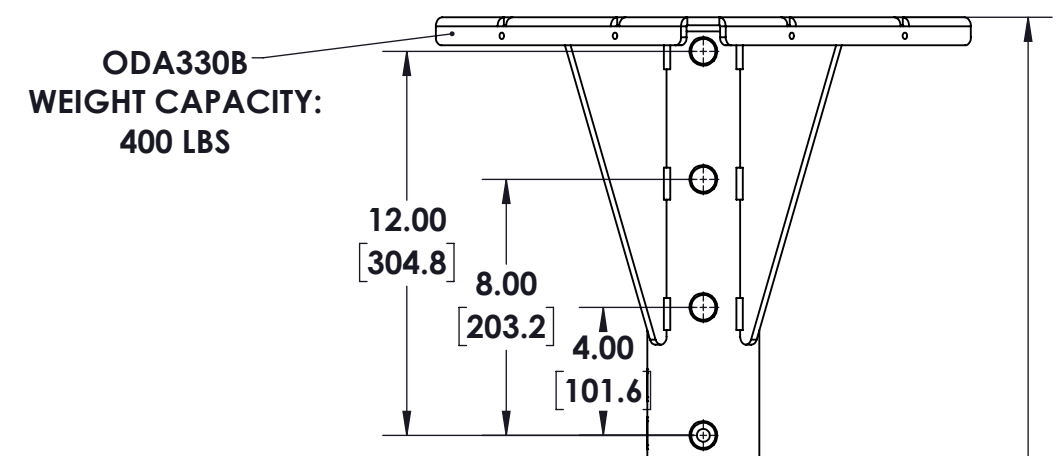


DETAIL A
SCALE 1 : 1

- NOTES:
1. MAXIMUM DESIGN MOMENT IS 2,000 FT-LBS
 2. APPROXIMATE WEIGHT: 29 LBS

THE INFORMATION AND DESIGNS CONTAINED IN THIS DRAWING ARE CONFIDENTIAL AND THE PROPRIETARY PROPERTY OF MILESTONE AV TECHNOLOGIES NEITHER THIS DESIGN NOR ANY INFORMATION CONTAINED IN THIS DRAWING MAY BE REPRODUCED OR DISCLOSED TO OTHERS WITHOUT THE EXPRESS WRITTEN CONSENT OF MILESTONE AV TECHNOLOGIES.

CAD GENERATED DRAWING, DO NOT MANUALLY UPDATE.				6436 CITY WEST PKWY EDEN PRAIRIE MN, 55344 PHONE: 866-977-3901 FAX: 877-894-6918	
DRAWN BY	JF	12/18/2017	DESCRIPTION		
ENG APPROVAL			ODA CONCRETE CEILING PLATE		
MFG APPROVAL			MODEL NO.		
QA APPROVAL			ODA330		
SHEET 1 OF 2		SCALE 1:5	SIZE B	DWG. NO. TECH-000882	REV. 00



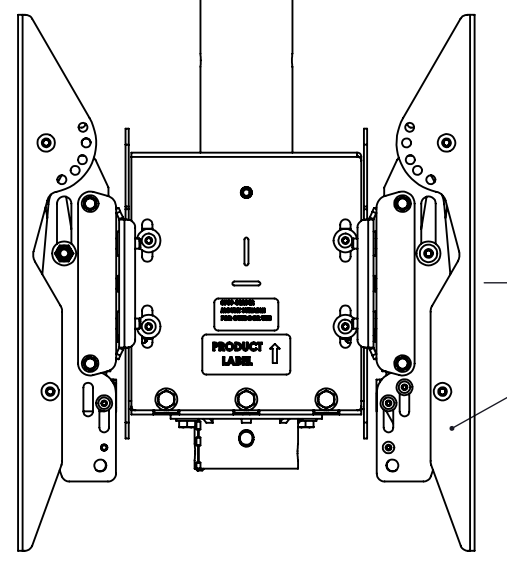
MODEL NUMBER	WEIGHT CAPACITY (LBS)	MOMENT LENGTH (IN) (ML)**	MAX DESIGN MOMENT (FT-LBS) (MDM)*
ODAC0203B	300	23 (MIN) - 36 (MAX)	2,000
ODAC0304B	300	33 (MIN) - 48 (MAX)	2,000
ODAC0405B	300	45 (MIN) - 60 (MAX)	2,000
ODAC0506B	300	57 (MIN) - 72 (MAX)	2,000
ODAC0708B	300	81 (MIN) - 96 (MAX)	2,000

* SEE INSTRUCTION MANUAL
** ONE INCH INCREMENTS



$$\text{MAX FORCE} = \frac{\text{MDM}}{\text{ML}} \times 12$$

MAX FORCE →



OLCM1U, OXCM1U,
OLCM2X1U, OXCB1U
WEIGHT CAPACITY:
250 LBS PER DISPLAY

OLCB1U, OLCB2X1U
WEIGHT CAPACITY:
125 PER DISPLAY

THE INFORMATION AND DESIGNS CONTAINED IN THIS DRAWING ARE CONFIDENTIAL AND THE PROPRIETARY PROPERTY OF MILESTONE AV TECHNOLOGIES NEITHER THIS DESIGN NOR ANY INFORMATION CONTAINED IN THIS DRAWING MAY BE REPRODUCED OR DISCLOSED TO OTHERS WITHOUT THE EXPRESS WRITTEN CONSENT OF MILESTONE AV TECHNOLOGIES.

CAD GENERATED DRAWING, DO NOT MANUALLY UPDATE.				6436 CITY WEST PKWY EDEN PRAIRIE MN, 55344 PHONE: 866-977-3901 FAX: 877-894-6918	
DRAWN BY	JF	12/18/2017	DESCRIPTION ODA CONCRETE CEILING PLATE		
ENG APPROVAL			MODEL NO. ODA330		
MFG APPROVAL			SIZE DWG. NO. B TECH-000882		
QA APPROVAL			REV. 00		
SHEET 2 OF 2		SCALE 1:6			