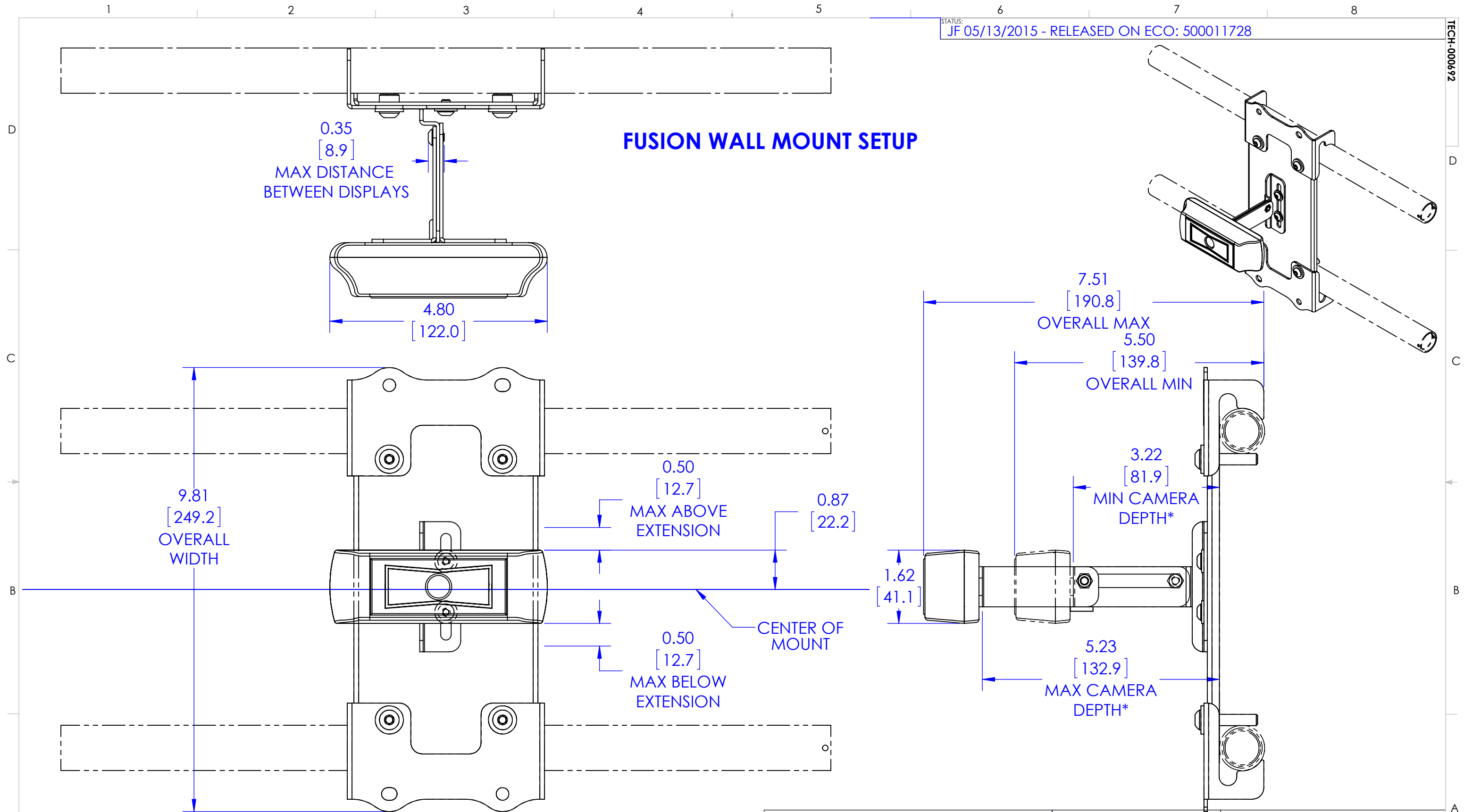


### FUSION WALL MOUNT SETUP

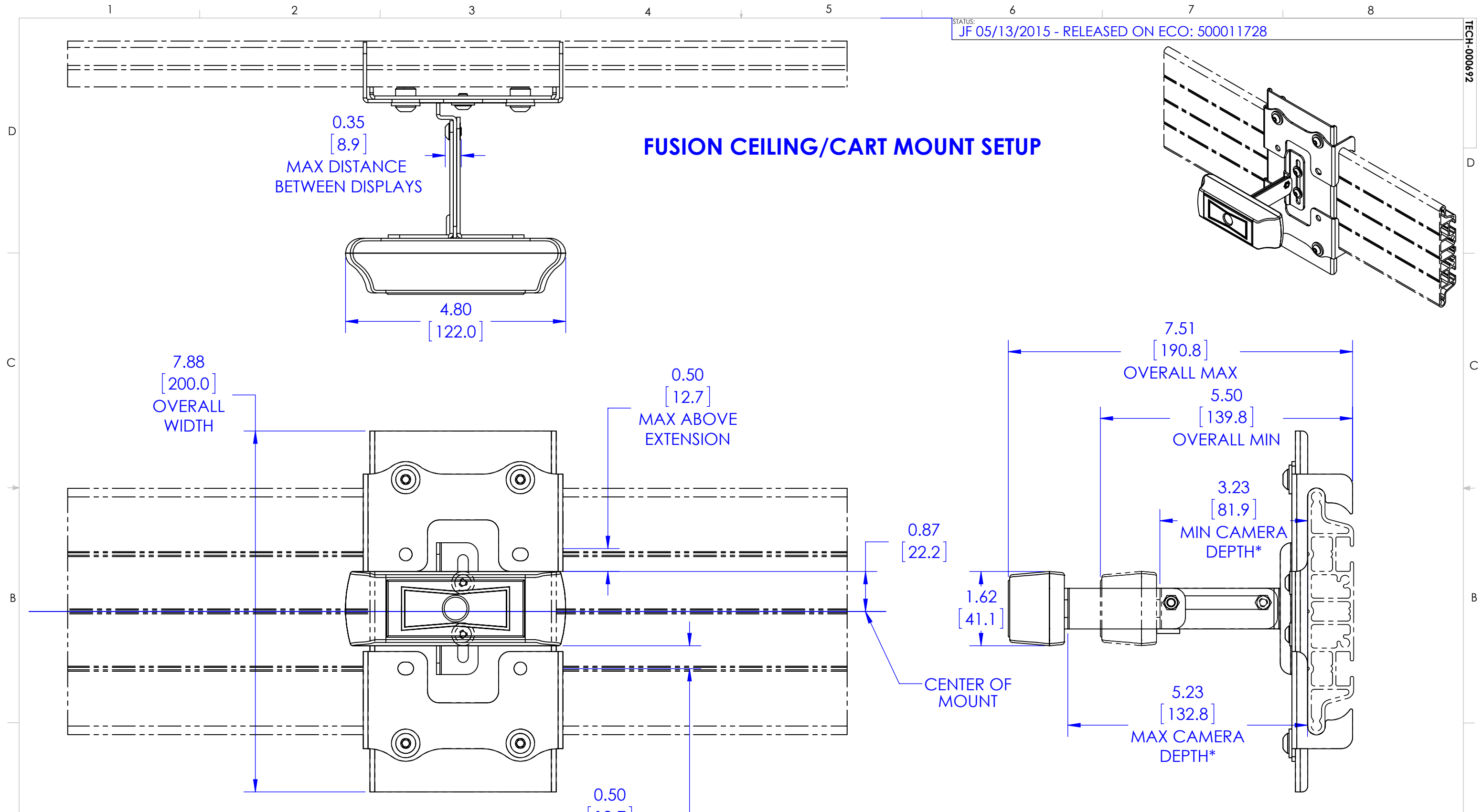


- (\*)NOTES:
- TYPICAL FUSION INTERFACES ARE 0.625" [15.9] DEEP

THE INFORMATION AND DESIGNS CONTAINED IN THIS DRAWING ARE CONFIDENTIAL AND THE PROPRIETARY PROPERTY OF MILESTONE AV TECHNOLOGIES NEITHER THIS DESIGN NOR ANY INFORMATION CONTAINED IN THIS DRAWING MAY BE REPRODUCED OR DISCLOSED TO OTHERS WITHOUT THE EXPRESS WRITTEN CONSENT OF MILESTONE AV TECHNOLOGIES.

CAD GENERATED DRAWING, DO NOT MANUALLY UPDATE.				6436 CITY WEST PKWY EDEN PRAIRIE MN, 55344 PHONE: 866-977-3901 FAX: 877-894-6918	
DRAWN BY	JF	5/12/2015		DESCRIPTION <b>FUSION VIEWSHARE KIT - DUAL DISPLAYS</b>	
ENG APPROVAL			MODEL NO. <b>FCA820V &amp; FCA820VE</b>		
MFG APPROVAL			SIZE	DWG. NO.	REV.
QA APPROVAL			B	TECH-000692	00
SHEET 1 OF 3			SCALE		
			1:2		

### FUSION CEILING/CART MOUNT SETUP

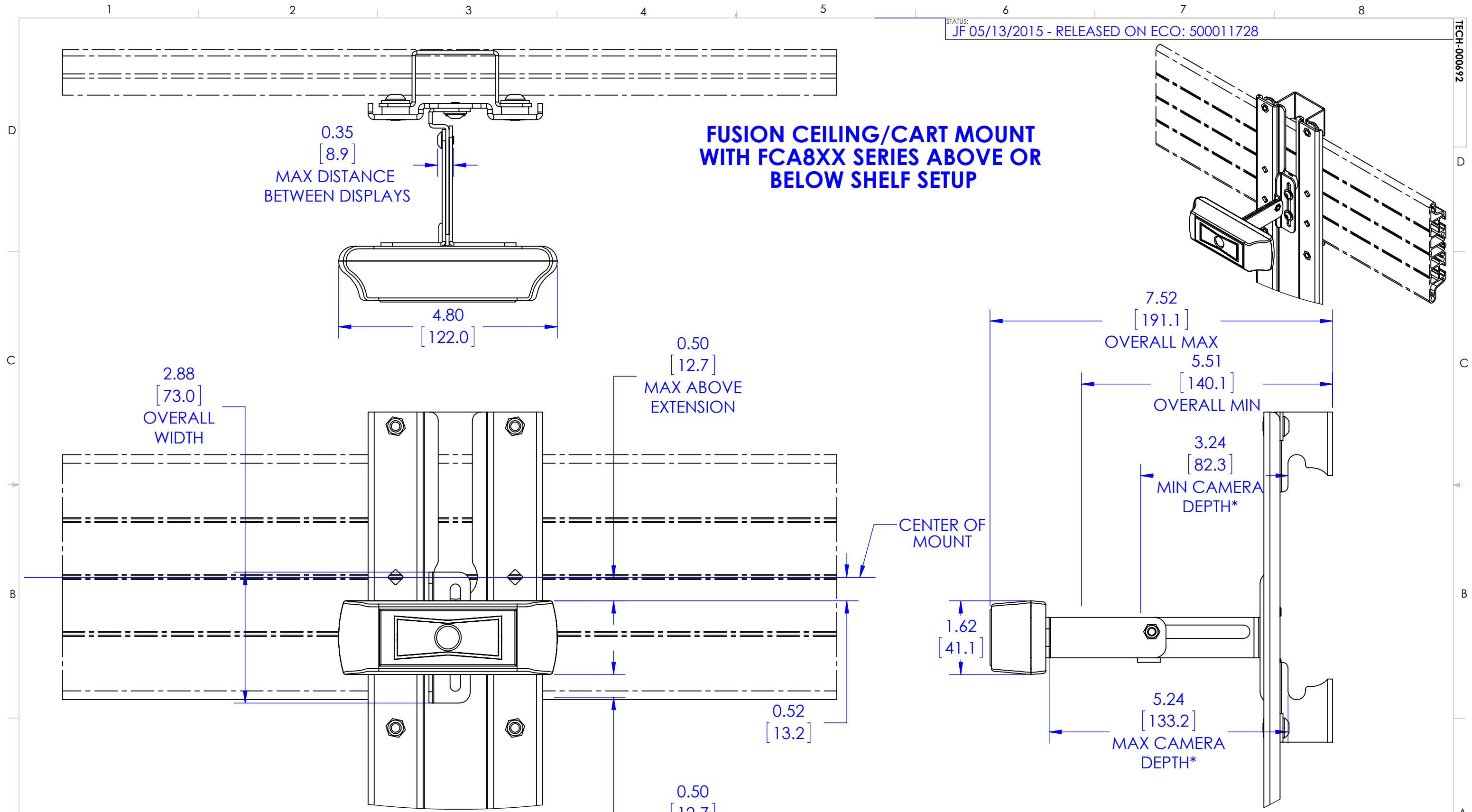


- \*NOTES:**
- FCA623 DUAL MONITOR INTERFACES ARE 1.4" DEEP

THE INFORMATION AND DESIGNS CONTAINED IN THIS DRAWING ARE CONFIDENTIAL AND THE PROPRIETARY PROPERTY OF MILESTONE AV TECHNOLOGIES NEITHER THIS DESIGN NOR ANY INFORMATION CONTAINED IN THIS DRAWING MAY BE REPRODUCED OR DISCLOSED TO OTHERS WITHOUT THE EXPRESS WRITTEN CONSENT OF MILESTONE AV TECHNOLOGIES.

CAD GENERATED DRAWING, DO NOT MANUALLY UPDATE.			<b>CHIEF</b>		6436 CITY WEST PKWY EDEN PRAIRIE MN, 55344 PHONE: 866-977-3901 FAX: 877-894-6918	
DRAWN BY	JF	5/12/2015	DESCRIPTION			
ENG APPROVAL			FUSION VIEWSHARE KIT - DUAL DISPLAYS			
MFG APPROVAL			MODEL NO.			
QA APPROVAL			FCA820V & FCA820VE			
SHEET 2 OF 3		SCALE	SIZE	DWG. NO.	REV.	
		1:2	B	TECH-000692	00	

### FUSION CEILING/CART MOUNT WITH FCA8XX SERIES ABOVE OR BELOW SHELF SETUP



- \*NOTES:**
- FCA623 DUAL MONITOR INTERFACES ARE 1.4" DEEP

THE INFORMATION AND DESIGNS CONTAINED IN THIS DRAWING ARE CONFIDENTIAL AND THE PROPRIETARY PROPERTY OF MILESTONE AV TECHNOLOGIES NEITHER THIS DESIGN NOR ANY INFORMATION CONTAINED IN THIS DRAWING MAY BE REPRODUCED OR DISCLOSED TO OTHERS WITHOUT THE EXPRESS WRITTEN CONSENT OF MILESTONE AV TECHNOLOGIES.

CAD GENERATED DRAWING, DO NOT MANUALLY UPDATE.				6436 CITY WEST PKWY EDEN PRAIRIE MN, 55344 PHONE: 866-977-3901 FAX: 877-894-6918	
DRAWN BY	JF	5/12/2015		DESCRIPTION <b>FUSION VIEWSHARE KIT - DUAL DISPLAYS</b>	
ENG APPROVAL			MODEL NO. <b>FCA820V &amp; FCA820VE</b>		
MFG APPROVAL			SIZE DWG. NO. <b>B TECH-000692</b>		
QA APPROVAL			REV. <b>00</b>		
SHEET 3 OF 3			SCALE <b>1:2</b>		