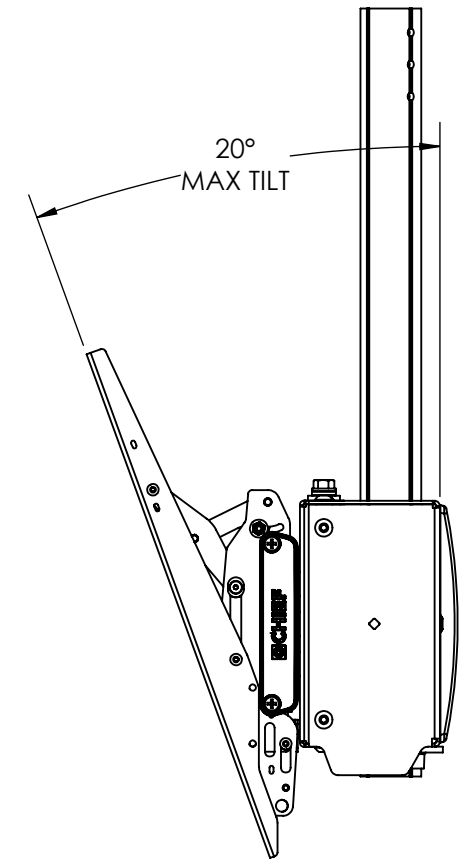
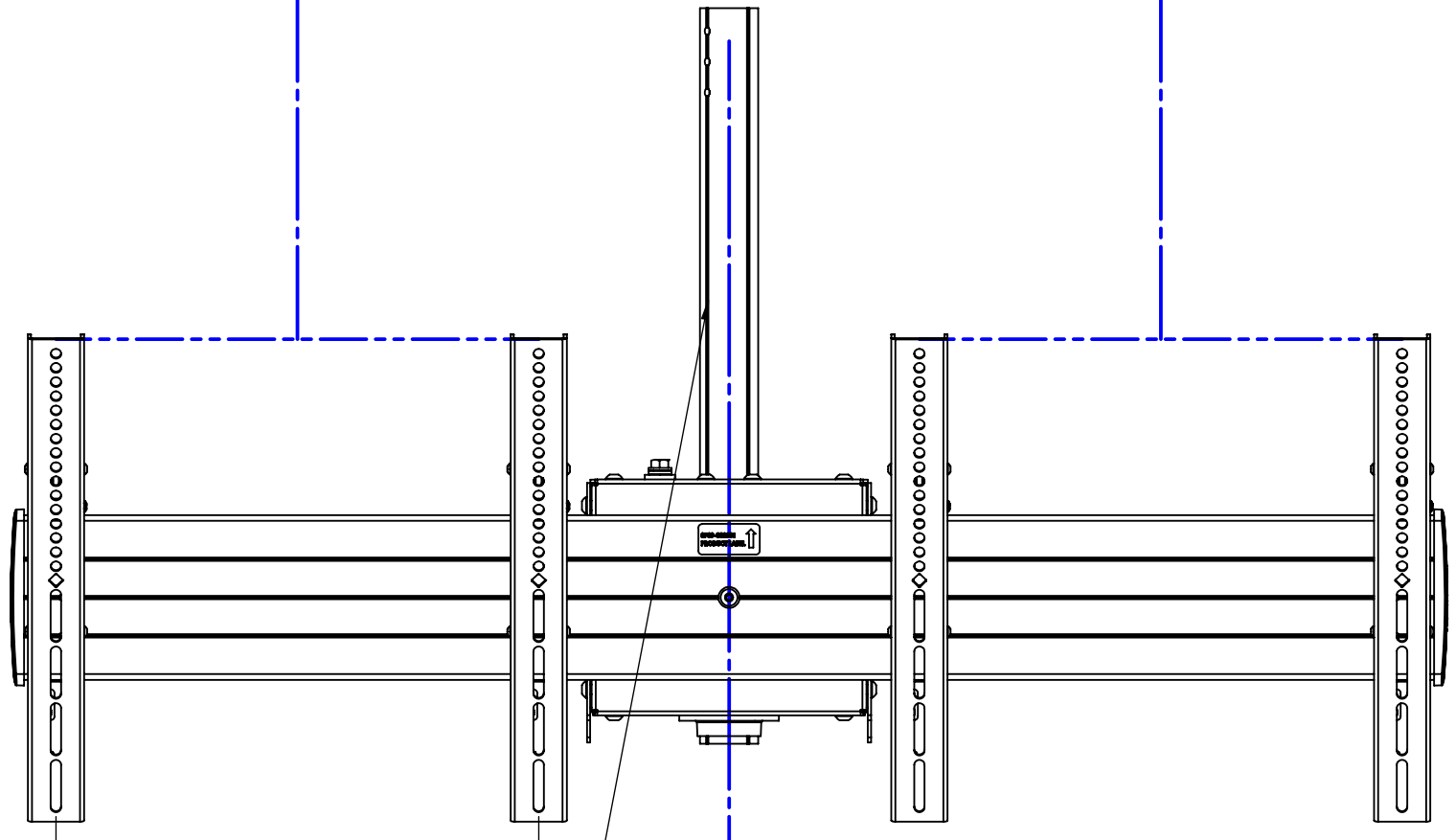
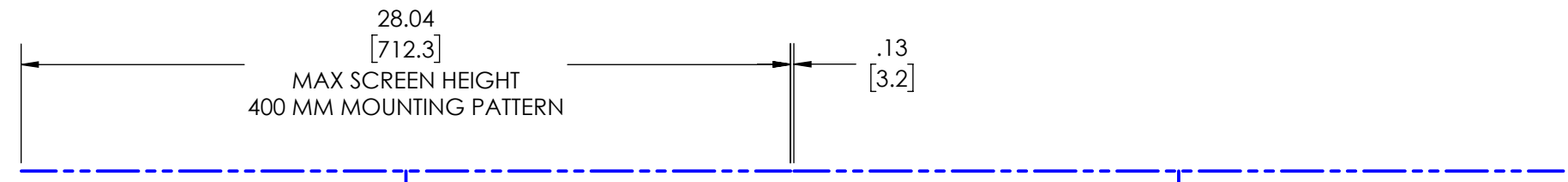
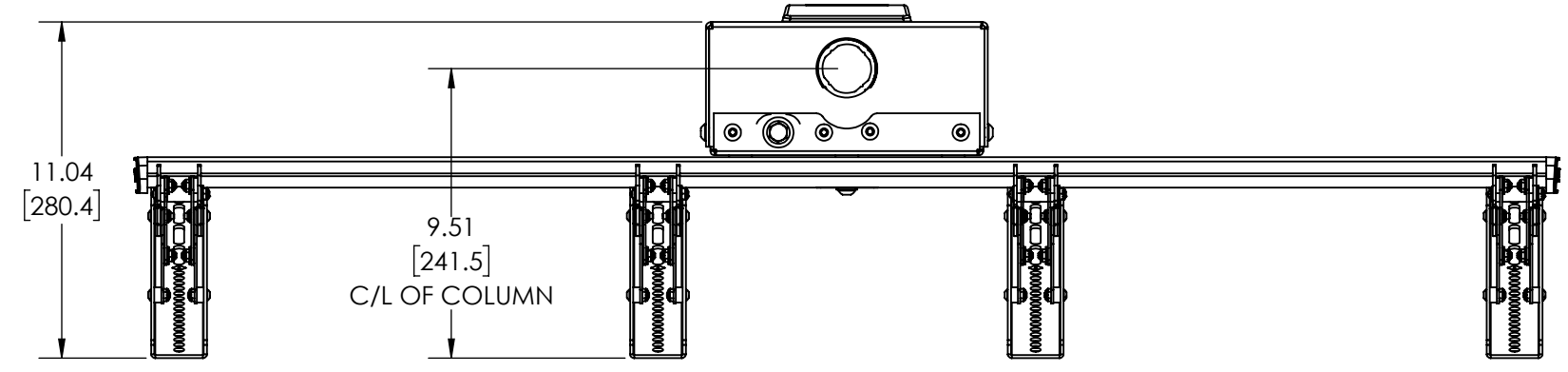


THE INFORMATION AND DESIGNS CONTAINED IN THIS DRAWING ARE CONFIDENTIAL AND THE PROPRIETARY PROPERTY OF LEGRAND | AV. NEITHER THIS DESIGN NOR ANY INFORMATION CONTAINED IN THIS DRAWING MAY BE REPRODUCED OR DISCLOSED TO OTHERS WITHOUT THE EXPRESS WRITTEN CONSENT OF LEGRAND | AV.

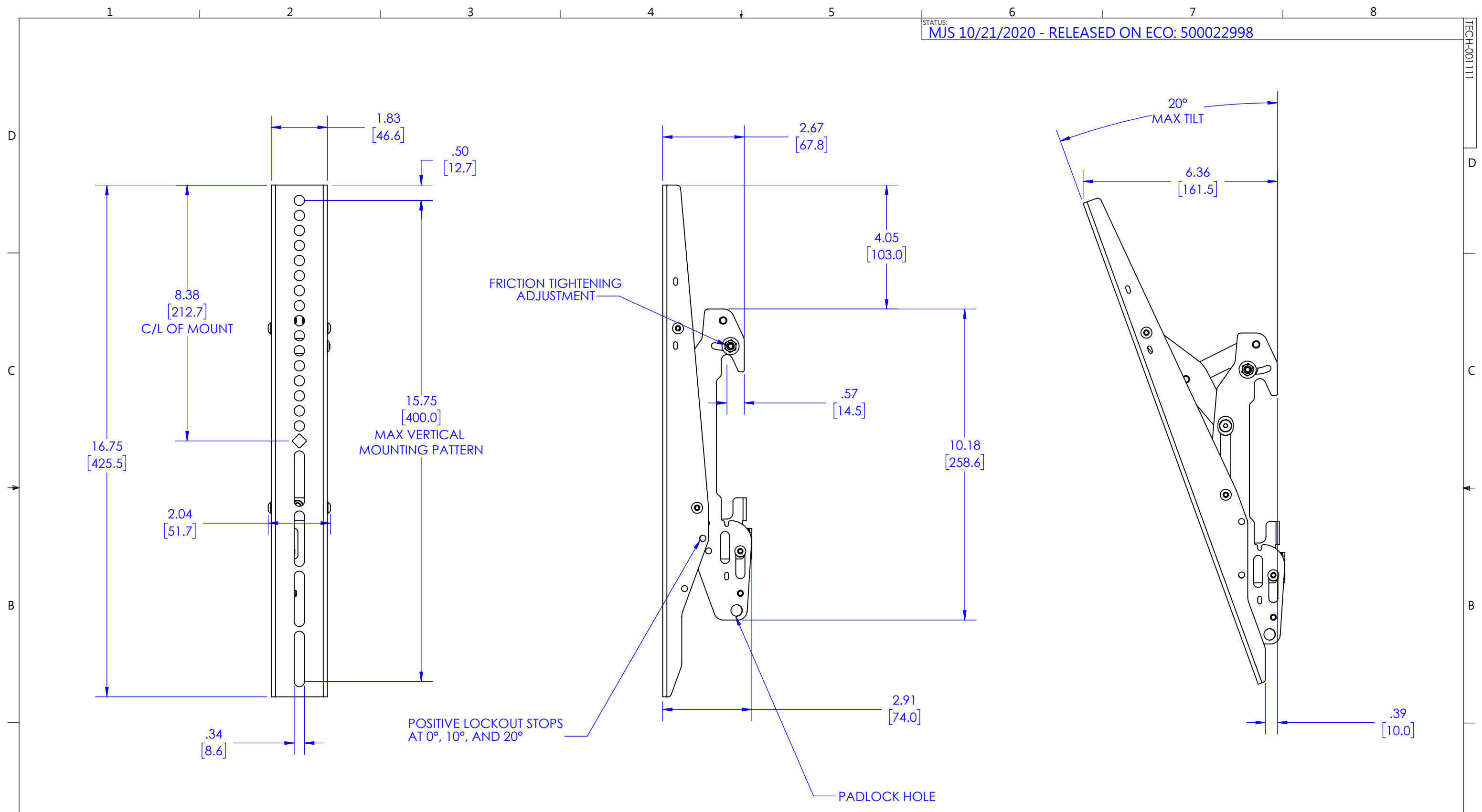
CAD GENERATED DRAWING, DO NOT MANUALLY UPDATE.				6436 CITY WEST PKWY EDEN PRAIRIE MN, 55344 PHONE: 866-977-3901 FAX: 877-894-6918	
DRAWN BY	MJS	10/21/2020	DESCRIPTION		
ENG APPROVAL			LCM2X1UP400 TECH DRAWING		
MFG APPROVAL			MODEL NO.		
QA APPROVAL			LCM2X1UP400		
SHEET 1 OF 3		SCALE	SIZE	DWG. NO.	REV.
		1:6	B	TECH-001111	00



COLUMN SOLD SEPARATELY

THE INFORMATION AND DESIGNS CONTAINED IN THIS DRAWING ARE CONFIDENTIAL AND THE PROPRIETARY PROPERTY OF LEGRAND | AV. NEITHER THIS DESIGN NOR ANY INFORMATION CONTAINED IN THIS DRAWING MAY BE REPRODUCED OR DISCLOSED TO OTHERS WITHOUT THE EXPRESS WRITTEN CONSENT OF LEGRAND | AV.

CAD GENERATED DRAWING, DO NOT MANUALLY UPDATE.						6436 CITY WEST PKWY EDEN PRAIRIE, MN, 55344 PHONE: 866-977-3901 FAX: 877-894-6918	
DRAWN BY	MJS	10/21/2020	DESCRIPTION				
ENG APPROVAL			LCM2X1UP400 TECH DRAWING				
MFG APPROVAL			MODEL NO.				
QA APPROVAL			LCM2X1UP400				
SHEET 2 OF 3		SCALE	1:6	SIZE	B	DWG. NO.	TECH-001111
				REV.	00		



THE INFORMATION AND DESIGNS CONTAINED IN THIS DRAWING ARE CONFIDENTIAL AND THE PROPRIETARY PROPERTY OF LEGRAND | AV. NEITHER THIS DESIGN NOR ANY INFORMATION CONTAINED IN THIS DRAWING MAY BE REPRODUCED OR DISCLOSED TO OTHERS WITHOUT THE EXPRESS WRITTEN CONSENT OF LEGRAND | AV.

CAD GENERATED DRAWING, DO NOT MANUALLY UPDATE.					6436 CITY WEST PKWY EDEN PRAIRIE MN, 55344 PHONE: 866-977-3901 FAX: 877-894-6918	
DRAWN BY	MJS	10/21/2020	DESCRIPTION			
ENG APPROVAL			LCM2X1UP400 TECH DRAWING			
MFG APPROVAL			MODEL NO.			
QA APPROVAL			LCM2X1UP400			
SHEET 3 OF 3		SCALE	SIZE	DWG. NO.	REV.	
		1:3	B	TECH-001111	00	