

*ASSEMBLY INSTRUCTIONS*  
*COASTER FINE FURNITURE*



*Fine Furniture for every stage of life*

ITEM:935923



# ASSEMBLY INSTRUCTIONS

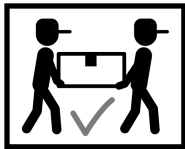
## ASSEMBLY TIPS:

1. Remove hardware from box and sort by size.
2. Please check to see that all hardware and parts are present prior to start of assembly.
3. Please follow attached instructions in the same sequence as numbered to assure fast & easy assembly.



### WARNING!

1. Don't attempt to repair or modify parts that are broken or defective. Please contact the store immediately.
2. This product is for home use only and not intended for commercial establishments.

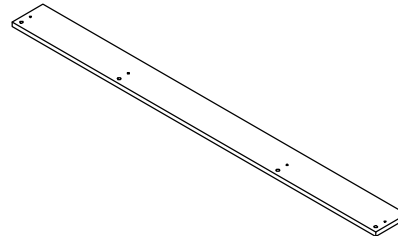


ASSEMBLY TIME 75 MINUTES

## PARTS IDENTIFICATION

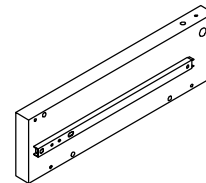
B2: VANITY BASE & GLASS

A TOP PANEL



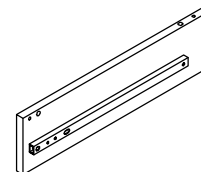
1PC

B LEFT PANEL



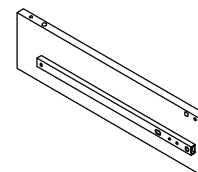
1PC

C LEFT MIDDLE PANEL



1PC

D RIGHT MIDDLE PANEL



1PC

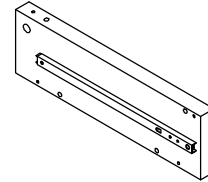
ITEM:935923



# ASSEMBLY INSTRUCTIONS

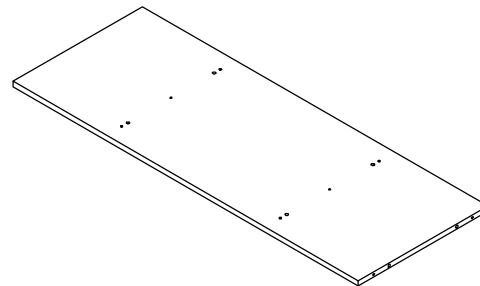
## PARTS IDENTIFICATION

E RIGHT PANEL



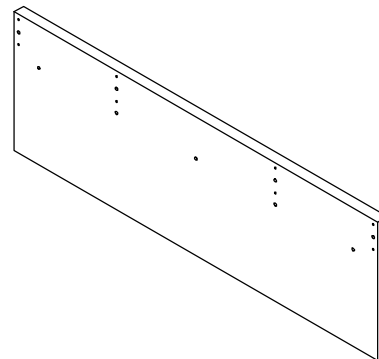
1PC

F BOTTOM PANEL



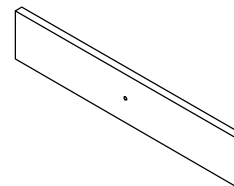
1PC

G BACK PANEL



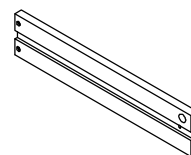
1PC

H LARGE DRAWER FRONT PANEL



1PC

I DRAWER LEFT PANEL



3PCS

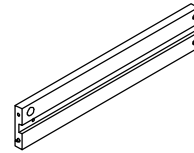
ITEM:935923



# ASSEMBLY INSTRUCTIONS

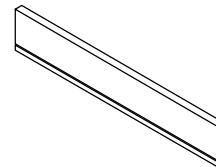
## PARTS IDENTIFICATION

J DRAWER RIGHT PANEL



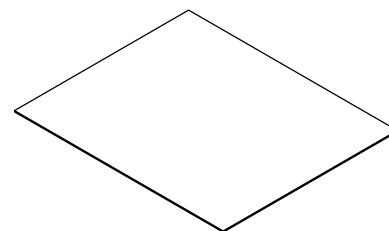
3PCS

K LARGE DRAWER BACK PANEL



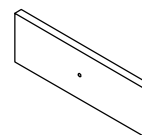
1PC

L LARGE DRAWER BOTTOM PANEL



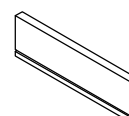
1PC

M SMALL DRAWER FRONT PANEL



2PCS

N SMALL DRAWER BACK PANEL



2PCS

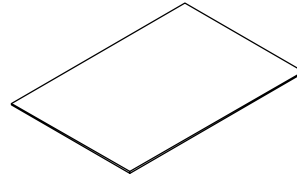
ITEM:935923



# ASSEMBLY INSTRUCTIONS

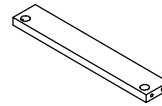
## PARTS IDENTIFICATION

O SMALL DRAWER BOTTOM PANEL



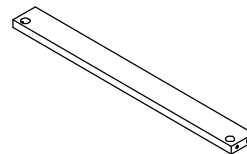
2PCS

P SHORT FRONT SUPPORT PANEL



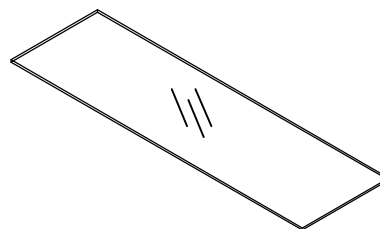
2PCS

Q LONG FRONT SUPPORT PANEL



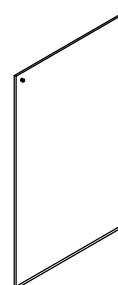
1PC

R TOP GLASS



1PC

S SIDE GLASS



2PCS

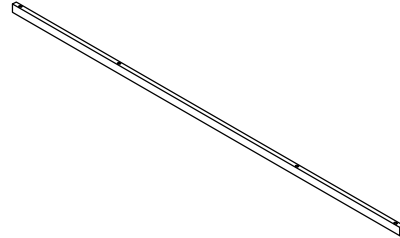
ITEM:935923



# ASSEMBLY INSTRUCTIONS

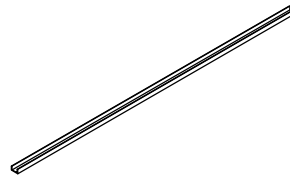
## PARTS IDENTIFICATION

T SUPPORT CROSSBAR



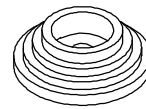
1PC

U PLASTIC BAR



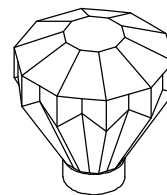
2PCS

V HANDLE BASE



3PCS

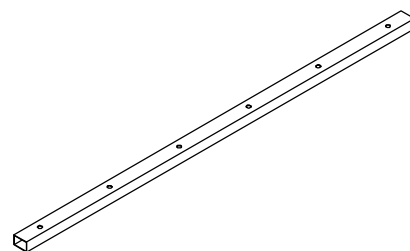
A1 HANDLE



3PCS

B1: VANITY TOP

A2 CROSSBAR



2PCS

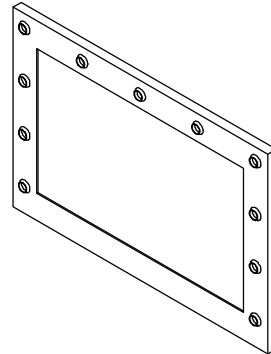
ITEM:935923



# ASSEMBLY INSTRUCTIONS

## PARTS IDENTIFICATION

A3 MAKE-UP MIRROR

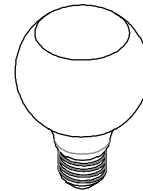


1PC

B3: 11PCS LIGHT BULB

A4 LIGHT BULB

\*TYPE G / E26 CLEAR LIGHT BULB / 4 WATT.\*















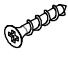








11PCS

ITEM:935923

# ASSEMBLY INSTRUCTIONS



## HARDWARE IDENTIFICATION

1	LARGE CAM BOLT (38MM)		10PCS	12	CAP (20 x 30mm)		4PCS
2	SMALL CAM BOLT		10PCS	13	SUCTION CUP		8PCS
3	LARGE CAM-LOCK ( $\phi$ 15MM)		14PCS	14	LONG BOLT (1/4" x 35mm SR)		12PCS
4	SMALL CAM-LOCK ( $\phi$ 12mm)		6PCS	15	SHORT BOLT (1/4" x 25mm SR)		8PCS
5	LARGE WOOD DOWEL (8 x 30mm)		23PCS	16	WASHER ( $\phi$ 16mm)		8PCS
6	SMALL WOOD DOWEL (6 x 25mm)		6PCS	17	PLASTIC WASHER ( $\phi$ 15mm)		8PCS
7	SHORT FAST SCREW (8 x 25mm)		12PCS	18	COVER		8PCS
8	MEDIUM FAST SCREW (8 X 38mm)		4PCS	19	SHORT SCREW (4 x 28mm)		4PCS
9	LONG FAST SCREW (8 x 45mm)		8PCS	20	GLUE		1PC
10	SMALL BOLT (5/32" x10mm)		6PCS	21	ALLEN WRENCH (4mm)		1PC
11	HANDLE BOLT (5/32" x22mm)		3PCS				

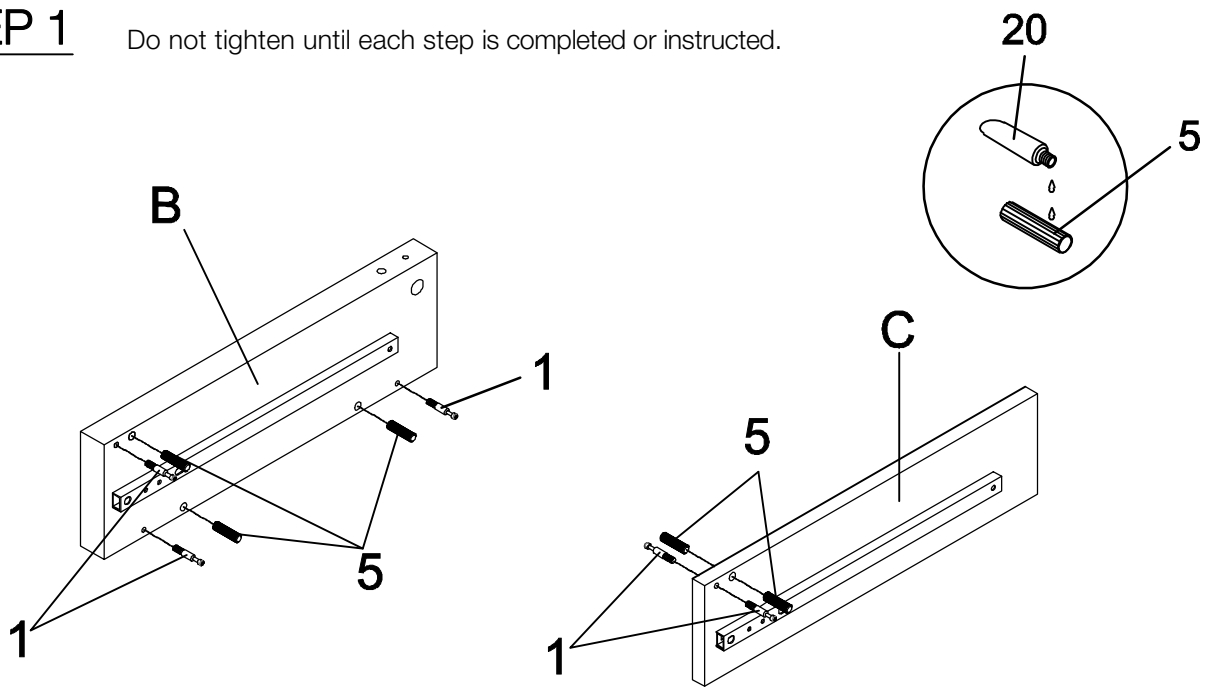
Hardware pack is located in 935923B2



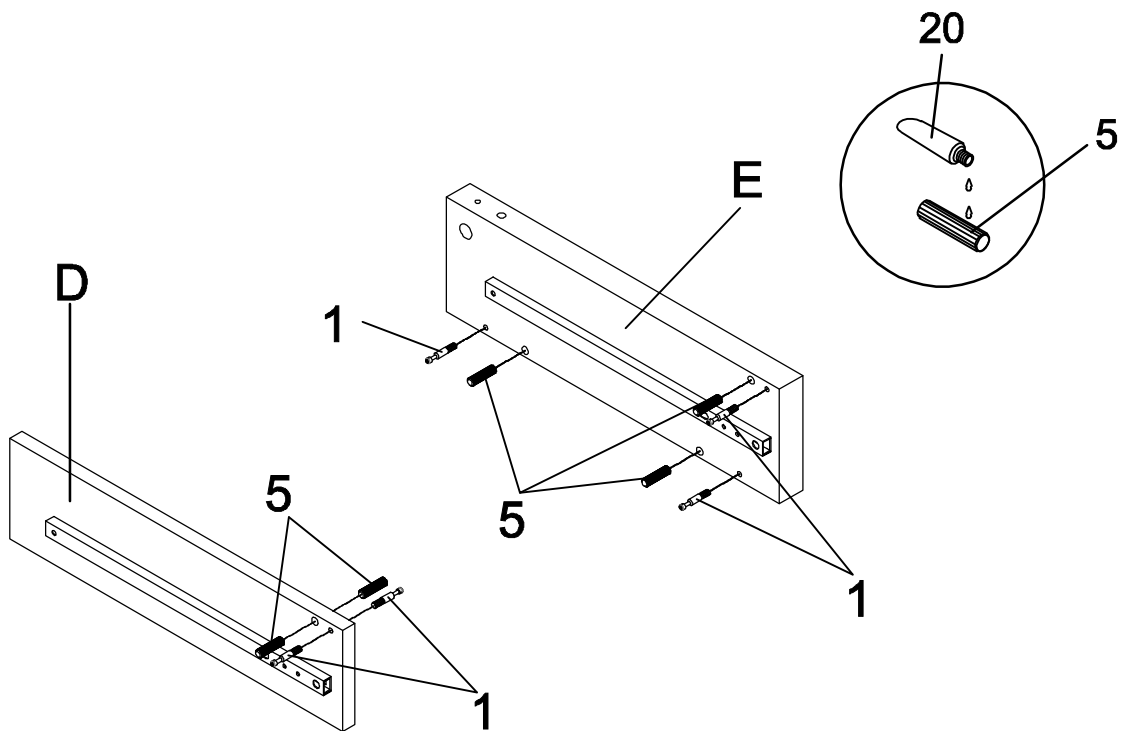
# ITEM:935923 ASSEMBLY INSTRUCTIONS



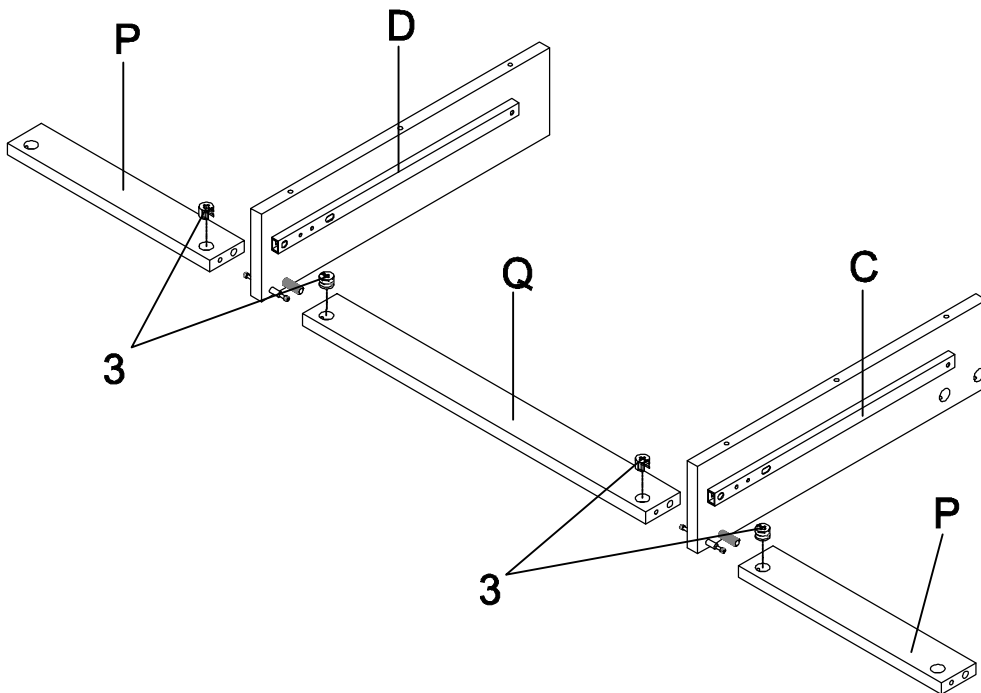
**STEP 1** Do not tighten until each step is completed or instructed.



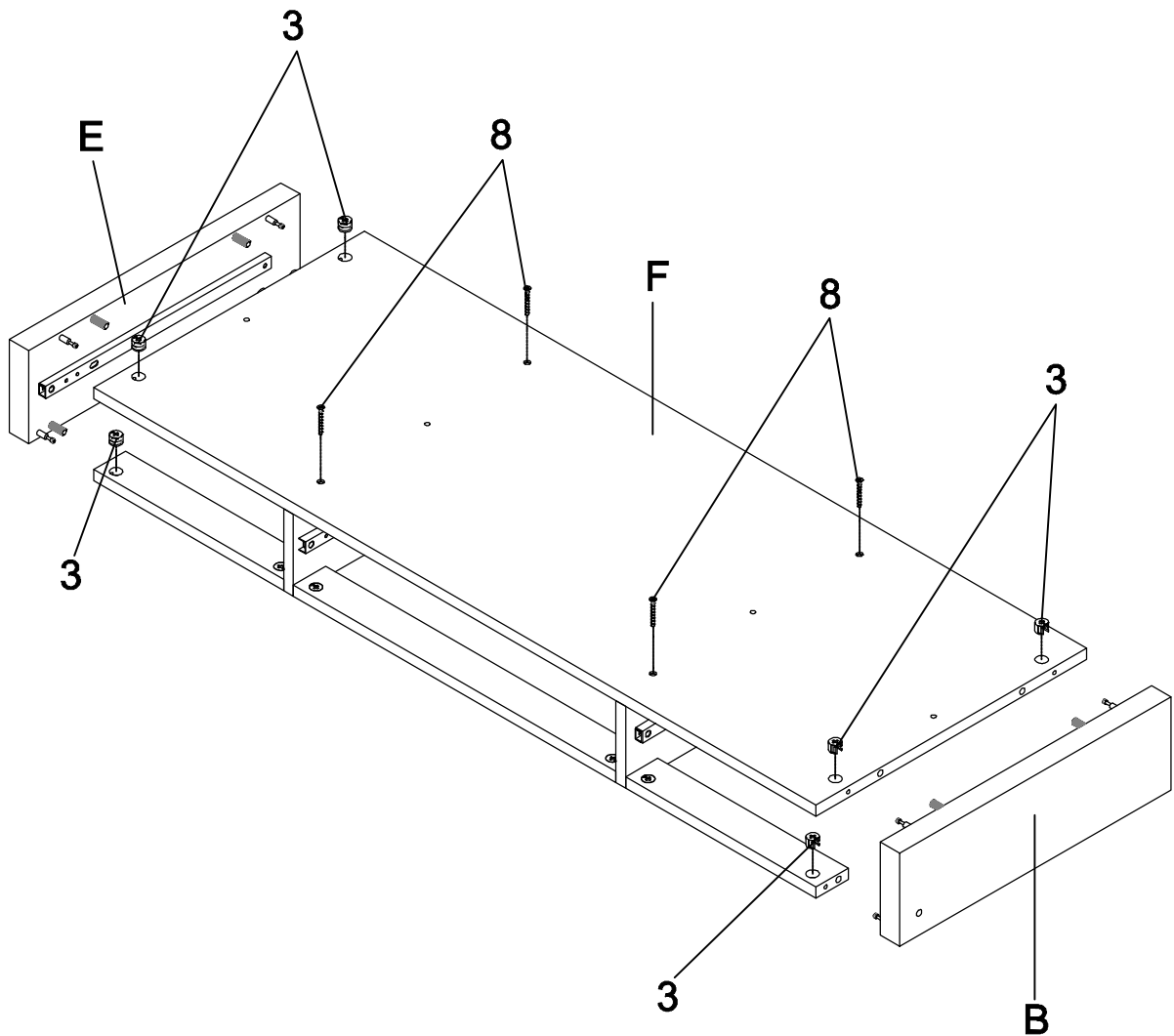
## STEP 2



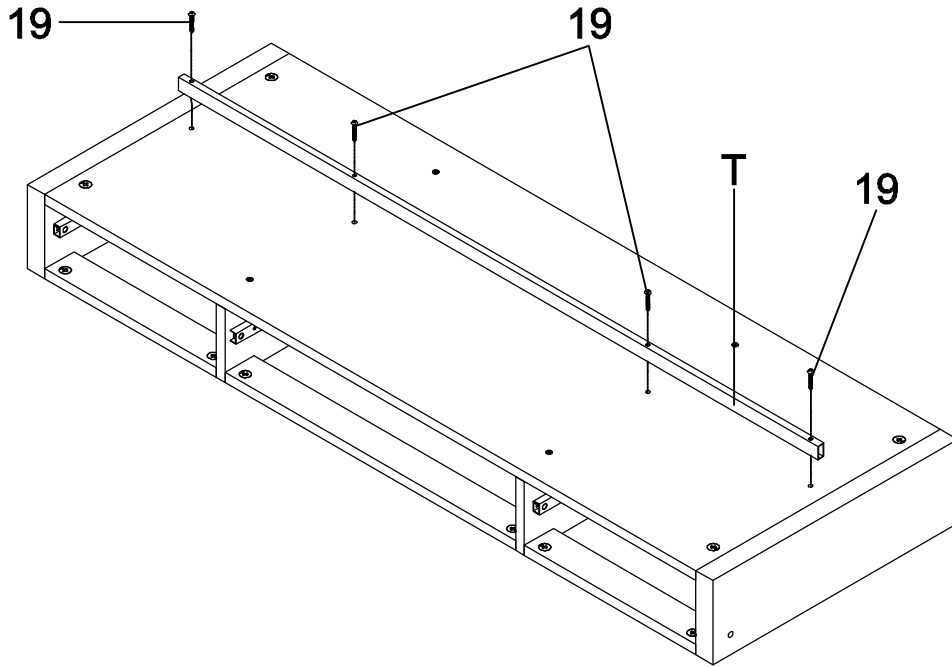
ITEM:935923  
ASSEMBLY INSTRUCTIONS  
STEP 3



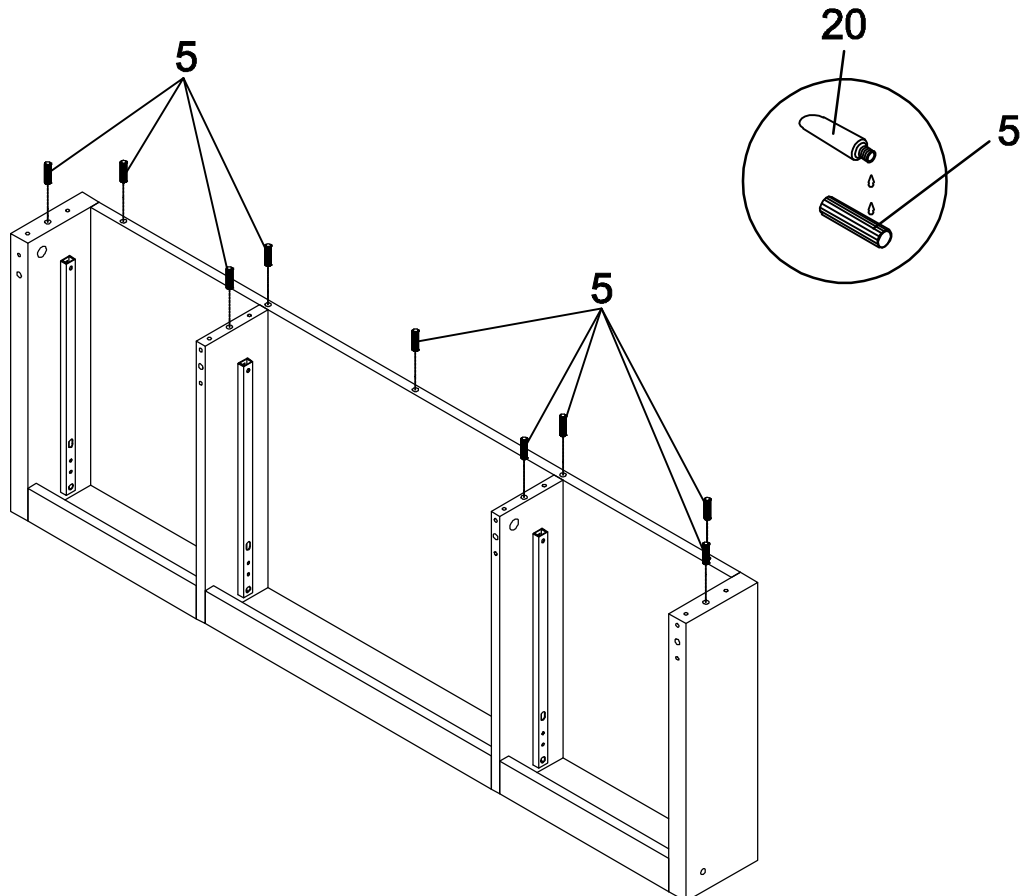
ITEM:935923  
ASSEMBLY INSTRUCTIONS  
STEP 4



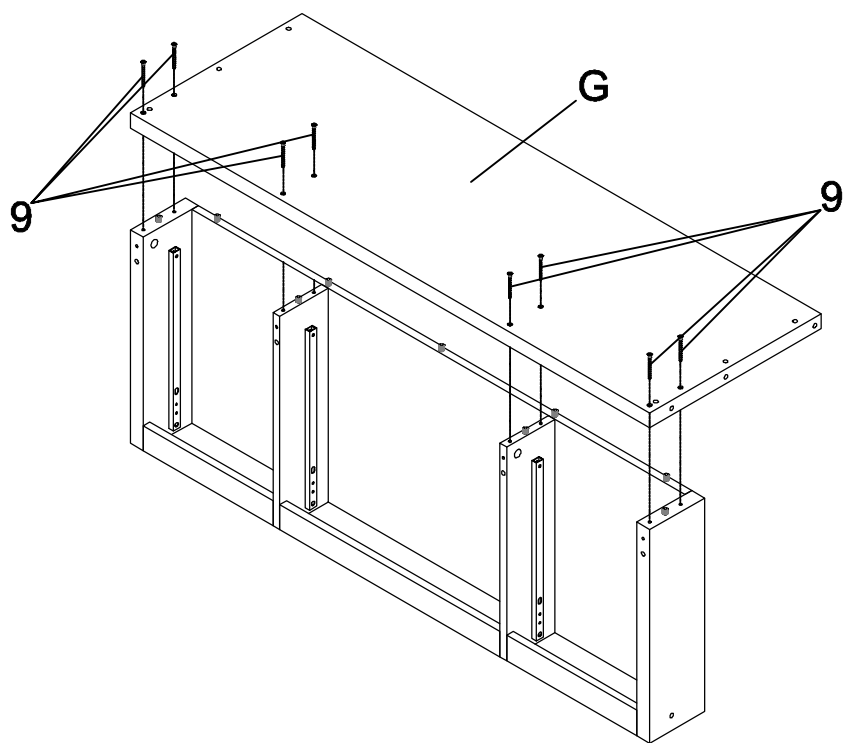
ITEM:935923  
ASSEMBLY INSTRUCTIONS  
STEP 5



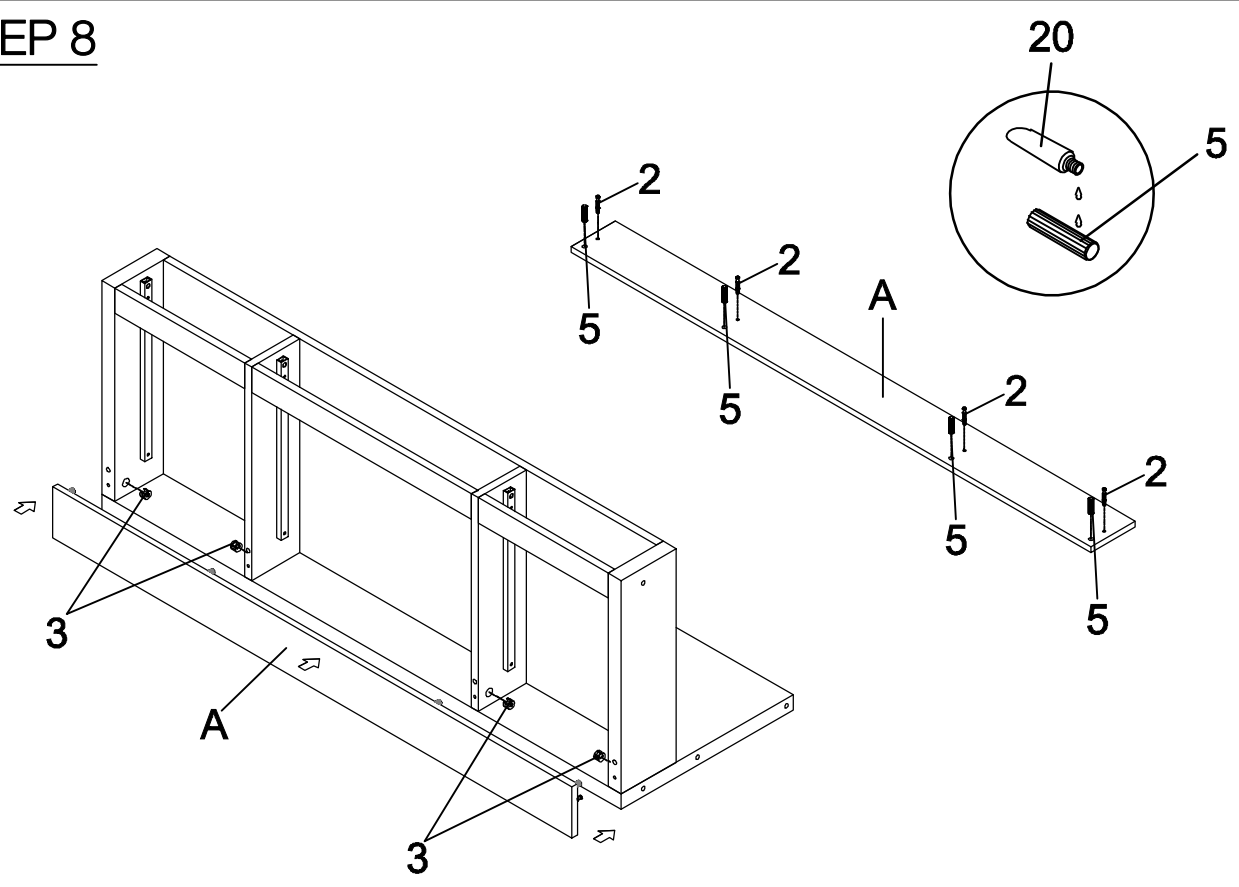
STEP 6



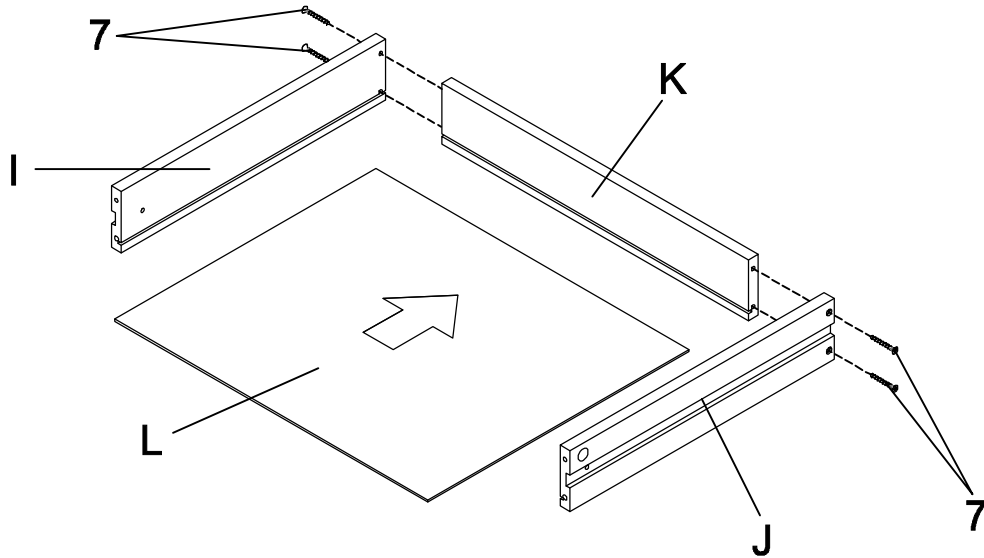
ITEM: 935923  
ASSEMBLY INSTRUCTIONS  
STEP 7



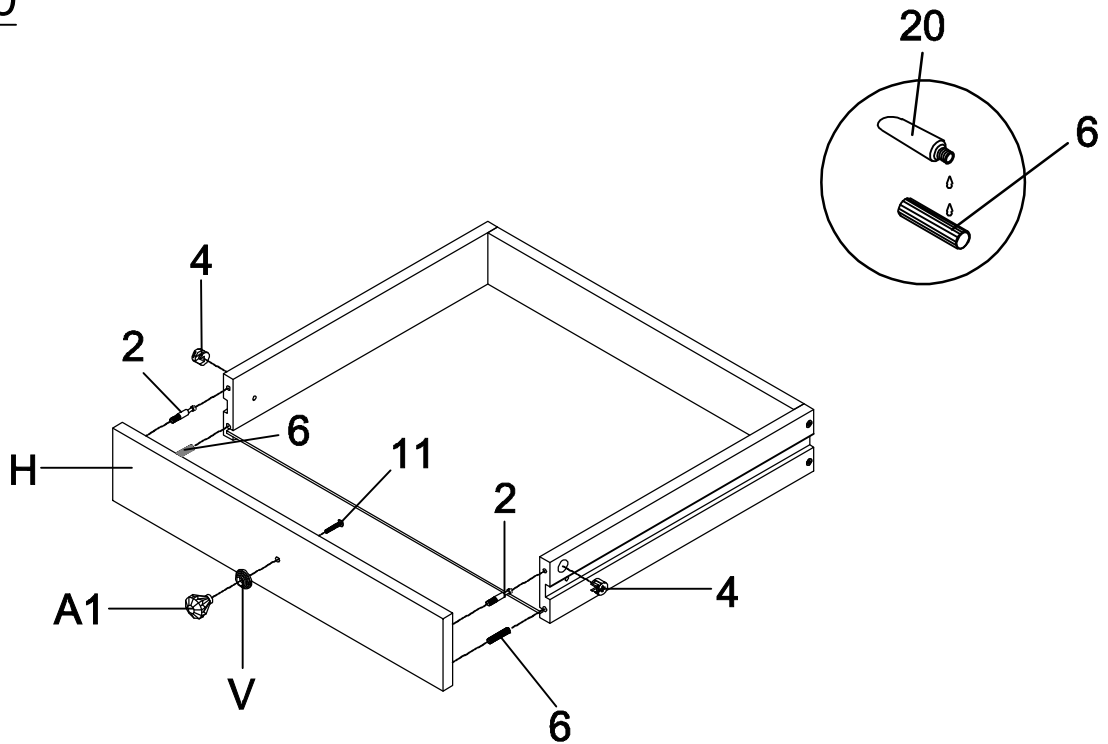
STEP 8



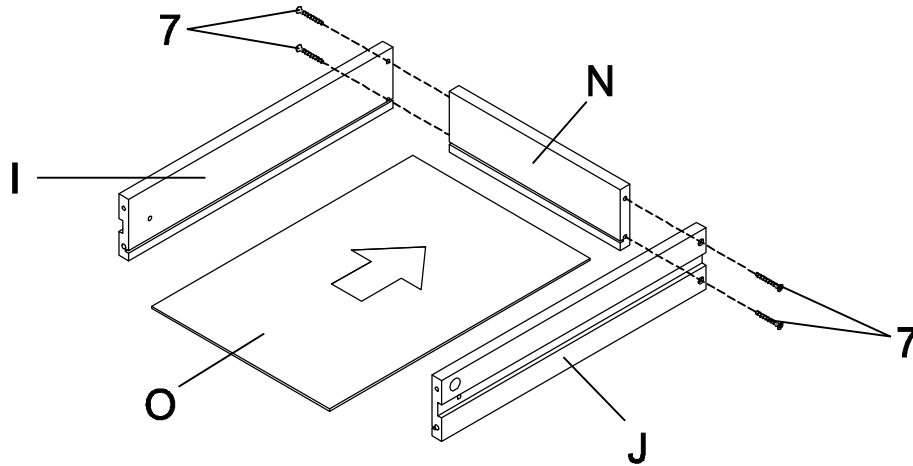
ITEM:935923  
ASSEMBLY INSTRUCTIONS  
STEP 9



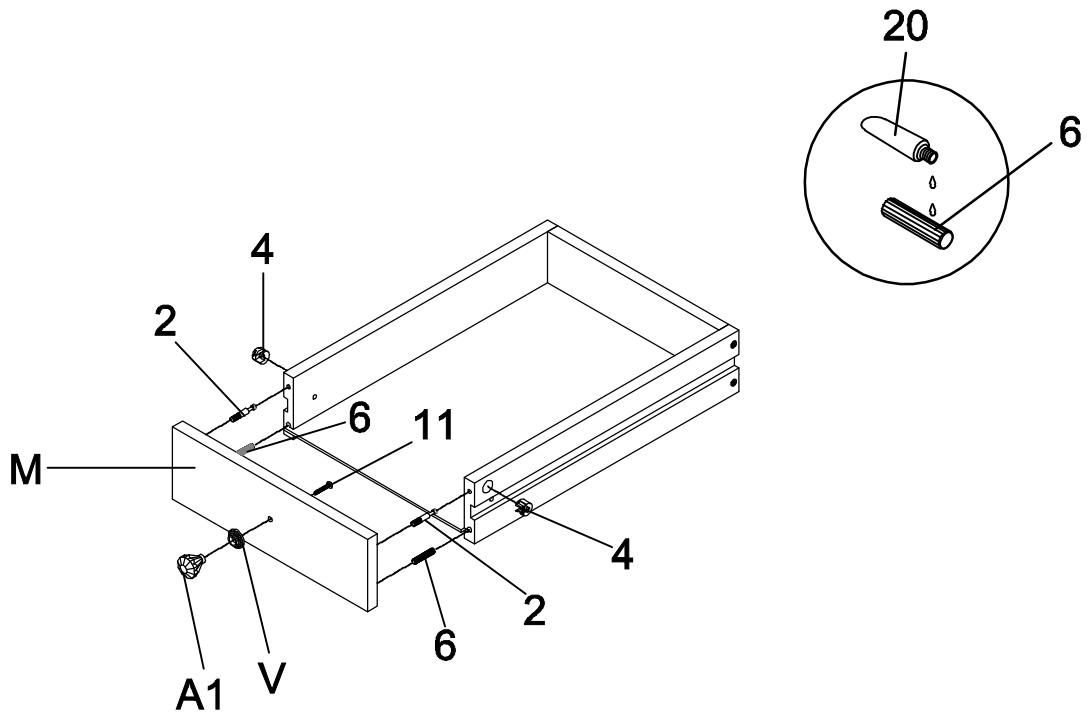
STEP 10



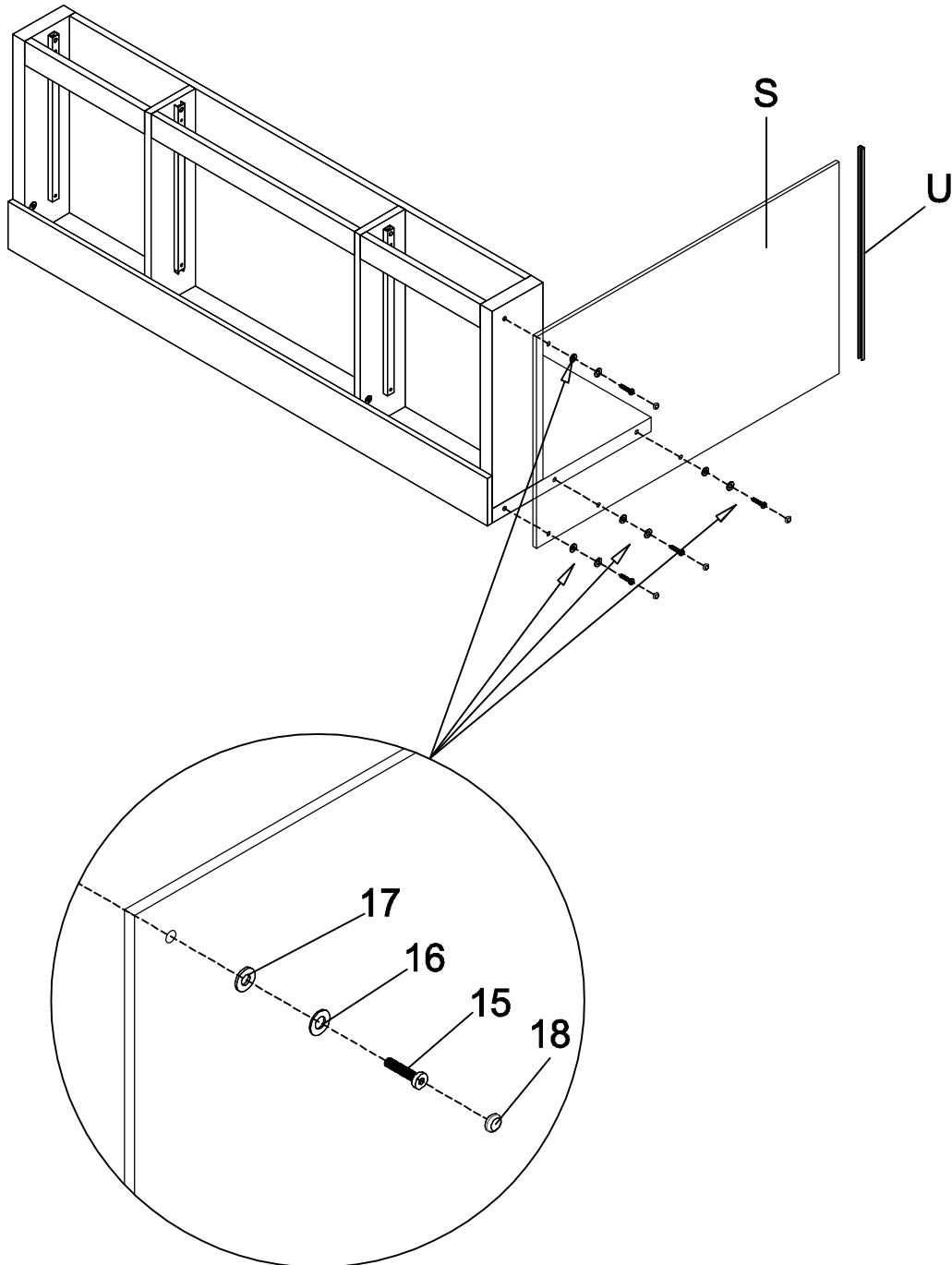
ITEM:935923  
ASSEMBLY INSTRUCTIONS  
STEP 11



STEP 12

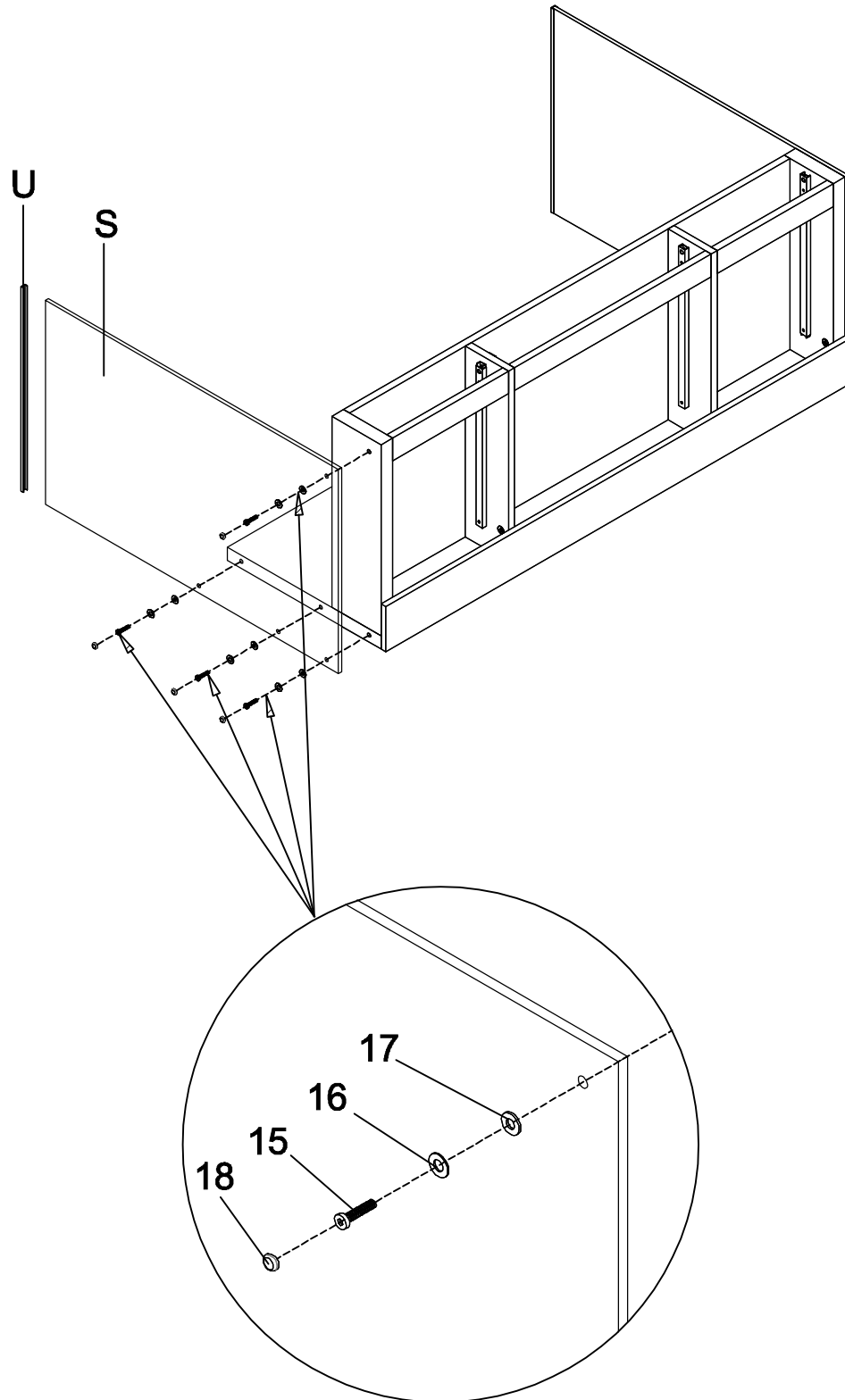


ITEM:935923  
ASSEMBLY INSTRUCTIONS  
STEP 13

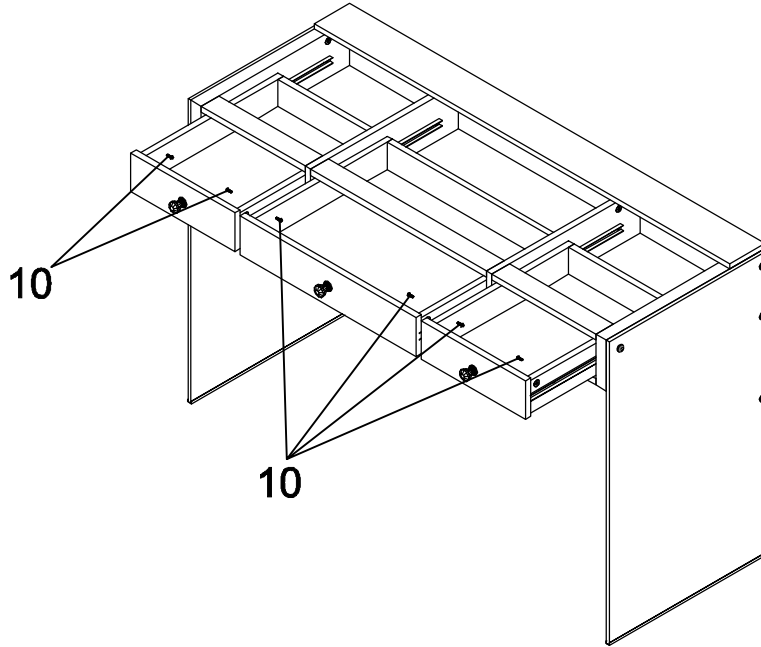




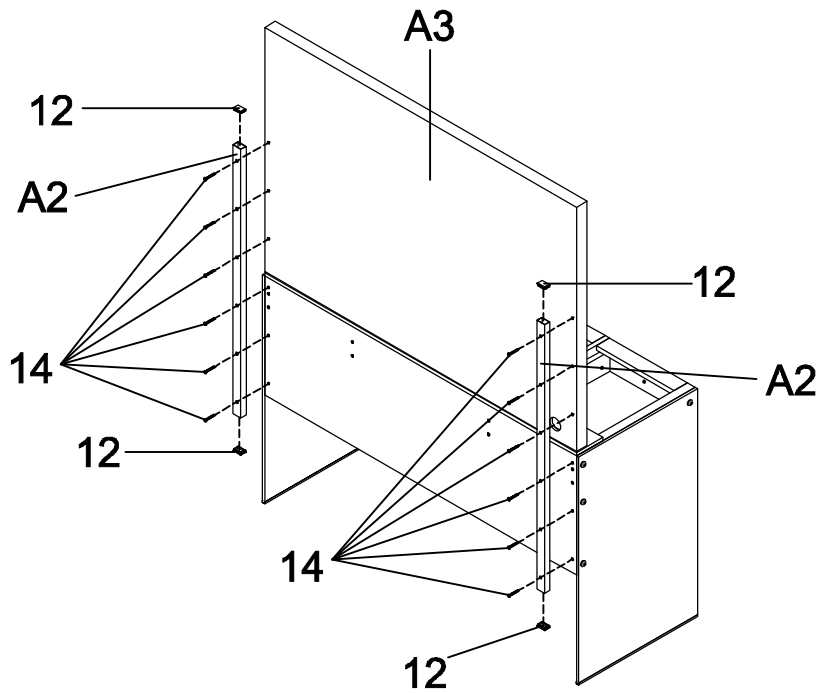
ITEM:935923  
ASSEMBLY INSTRUCTIONS  
STEP 14



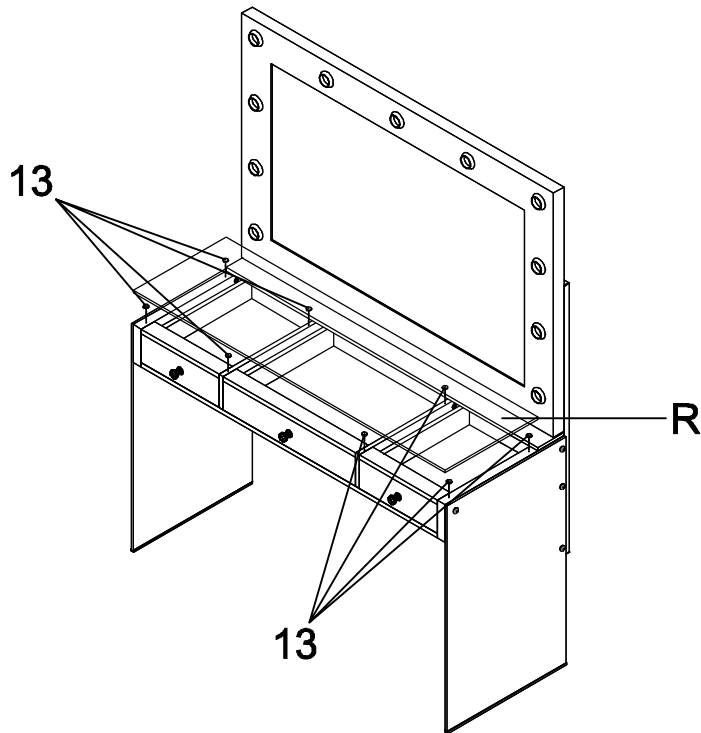
ITEM:935923  
ASSEMBLY INSTRUCTIONS  
STEP 15



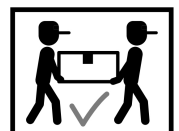
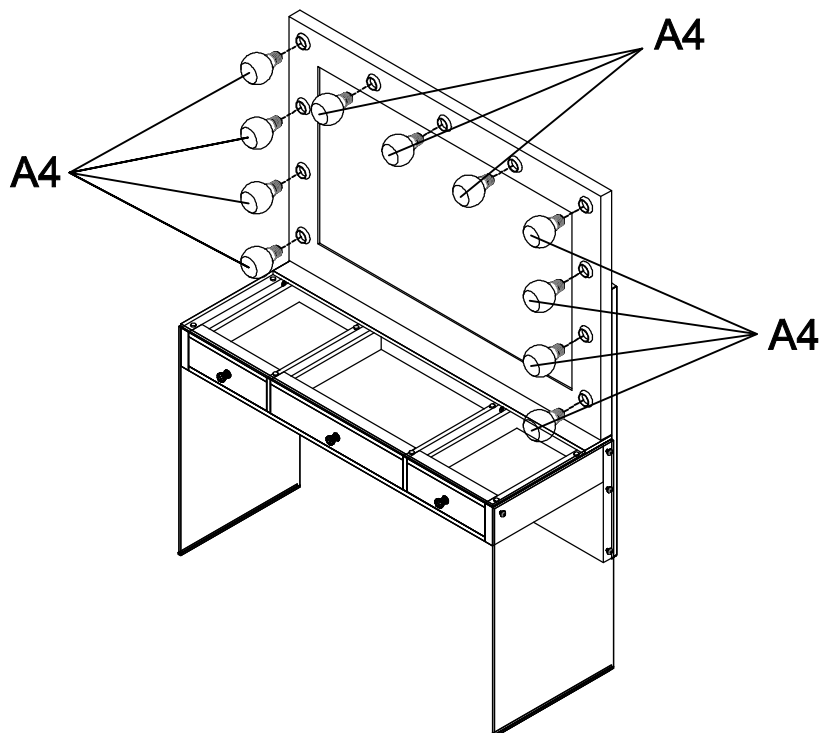
STEP 16



ITEM:935923  
ASSEMBLY INSTRUCTIONS  
STEP 17



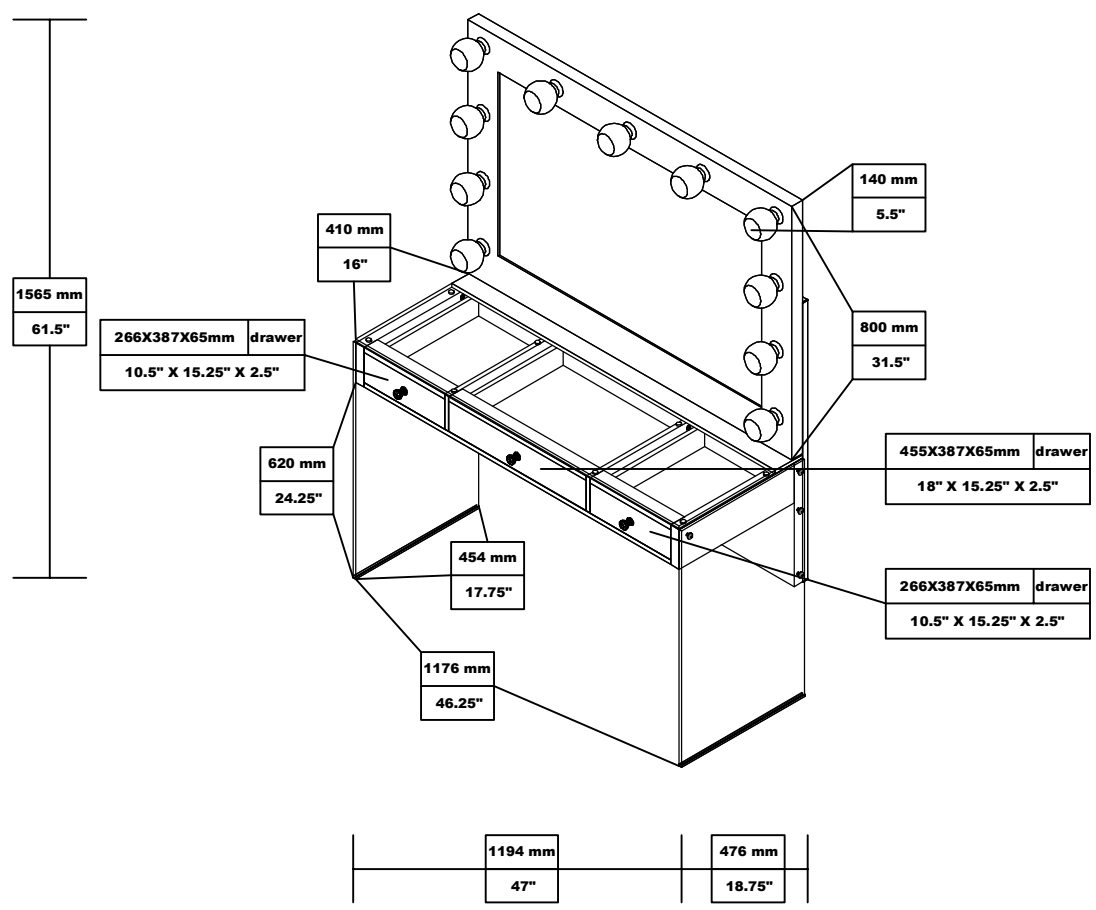
STEP 18  
COMPLETE



# ITEM:935923 ASSEMBLY INSTRUCTIONS



Product Size : 1194 X 476 X 1565 H (MM)  
Product Size : 47" X 18.75" X 61.5"



Note : Dimension tolerance  $\pm 5\%$