

ASSEMBLY INSTRUCTIONS
COASTER FINE FURNITURE



Fine Furniture for every stage of life

VANITY STOOL

919523

ASSEMBLY INSTRUCTIONS

ASSEMBLY TIPS:

- 1.Remove hardware from box and sort by size.
- 2.Please check to see that all hardware and parts are present prior to start of assembly.
- 3.Please follow attached instruction in the same sequence as numbered to assure fast & easy assembly.



WARNING!

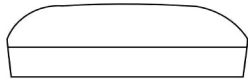
- 1.Don't attempt to repair or modify parts that are broken or defective. Please contact the store immediately.
- 2.This product is for home use only and not intended for commercial establishment.

ASSEMBL TIME 10 MINUTES

PARTS IDENTIFICATION

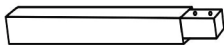
HARDWARE

A SEAT



1PC

B LEG



4PCS

1 BOLT 8X35MM



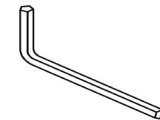
8PCS

2 WASHER φ20X2MM



8PCS

3 ALLEN KEY 30X80MM

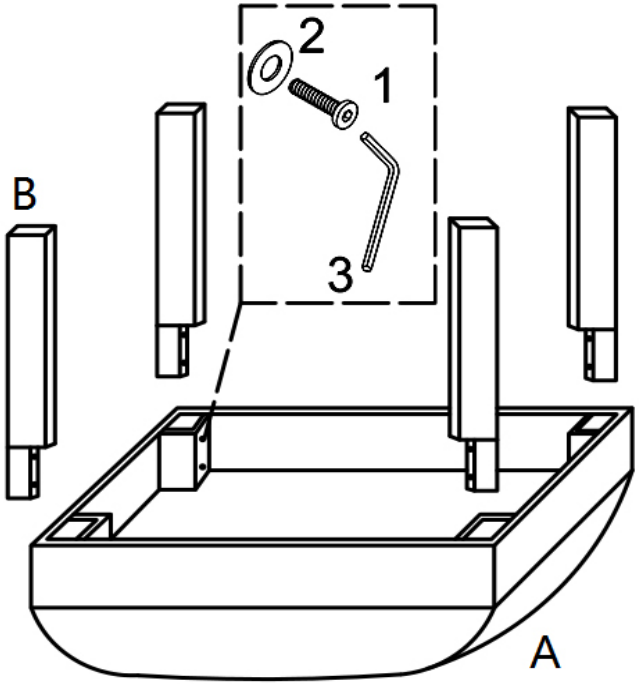


1PC

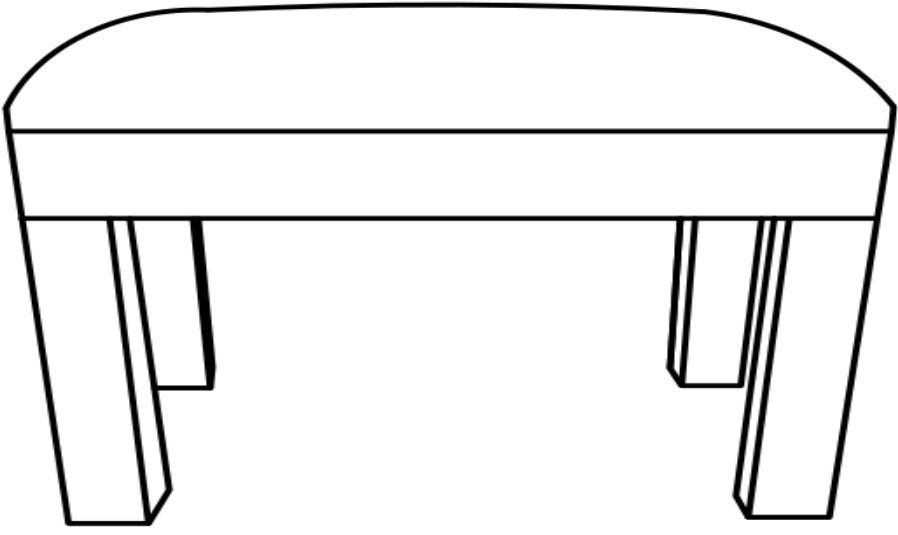
ITEM : 919523

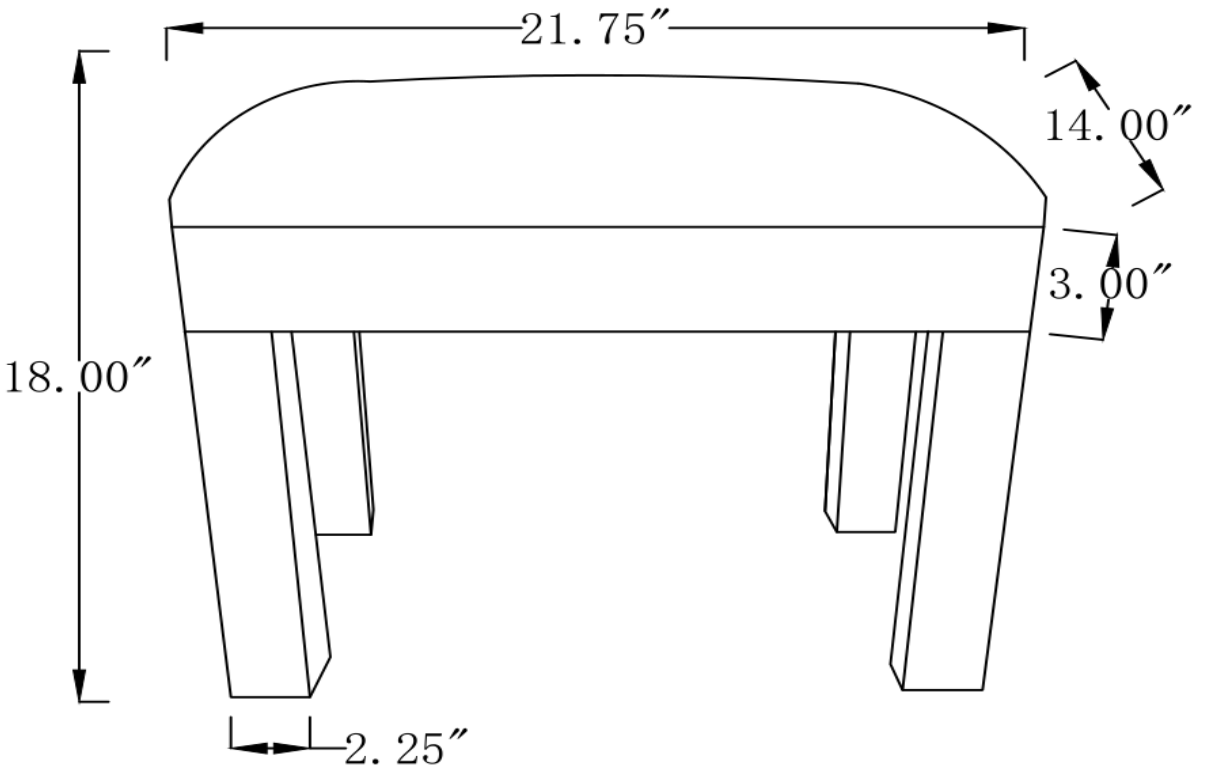
ASSEMBLY INSTRUCTIONS

STEP 1



STEP 2





Note: Dimension tolerance $\pm 5\%$