



# Top Freezer REFRIGERATORS

**SAFETY INFORMATION** .....3

**USING THE REFRIGERATOR**

Controls .....6

Shelves and Bins.....7

Crispers and Pans.....8

**CARE AND CLEANING** .....9

Cleaning the Outside .....9

Cleaning the Inside .....9

Condenser .....9

Moving the Refrigerator .....10

Preparing for Vacation .....10

Preparing to Move .....10

Replacing the Light Bulb .....10

**INSTALLATION** ..... 11

**INSTRUCTIONS**

Installing the Door Handle .....12

Reversing the Door Swing .....13

**TROUBLESHOOTING**

Normal Operating Sounds .....17

Troubleshooting Tips.....17

**LIMITED WARRANTY** .....19

**CONSUMER SUPPORT** ..... 20

**OWNER'S MANUAL &  
INSTALLATION  
INSTRUCTIONS**

GTE18M

Write the model and serial numbers here:

Model # \_\_\_\_\_

Serial # \_\_\_\_\_

Find these numbers on a label inside the fresh food compartment.

**FRANÇAIS**

Pour obtenir une version française de ce manuel, visitez notre site web sur [GEAppliances.com](http://GEAppliances.com).

**ESPAÑOL**

Para consultar una versión en español de este manual de instrucciones, visite nuestro sitio de internet [GEAppliances.com](http://GEAppliances.com).

## **THANK YOU FOR MAKING GE APPLIANCES A PART OF YOUR HOME.**

---

Whether you grew up with GE Appliances, or this is your first, we're happy to have you in the family.

We take pride in the craftsmanship, innovation and design that goes into every GE Appliances product, and we think you will too. Among other things, registration of your appliance ensures that we can deliver important product information and warranty details when you need them.

Register your GE appliance now online. Helpful websites and phone numbers are available in the Consumer Support section of this Owner's Manual. You may also mail in the pre-printed registration card included in the packing material.



# IMPORTANT SAFETY INFORMATION

## READ ALL INSTRUCTIONS BEFORE USING THE APPLIANCE

**▲ WARNING** To reduce the risk of fire, explosion, electric shock, or injury when using your refrigerator, follow these basic safety precautions:

- This refrigerator must be properly installed and located in accordance with the Installation Instructions before it is used.
- Unplug the refrigerator before making repairs, replacing a light bulb, or cleaning.  
**NOTE:** Power to the refrigerator cannot be disconnected by any setting on the control panel.  
**NOTE:** Repairs must be performed by a qualified Service Professional.
- Replace all parts and panels before operating.
- Do not store or use gasoline or other flammable vapors and liquids in the vicinity of this or any other appliance.
- Do not store explosive substances such as aerosol cans with a flammable propellant in this appliance.
- Do not use an extension cord.
- To prevent suffocation and entrapment hazards to children, remove the fresh food and freezer doors from any refrigerator before disposing of it or discontinuing its use.
- To avoid serious injury or death, children should not stand on, or play in or with the appliance.
- Children and persons with reduced physical, sensory or mental capabilities or lack of experience and knowledge can use this appliance only if they are supervised or have been given instructions on safe use and understand the hazards involved.
- This appliance is intended to be used in household and similar applications such as: staff kitchen areas in shops, offices and other working environments; farm houses; by clients in hotels, motels, bed & breakfast and other residential environments; catering and similar non-retail applications.

**▲ CAUTION** To reduce the risk of injury when using your refrigerator, follow these basic safety precautions.

- Do not clean glass shelves or covers with warm water when they are cold. Glass shelves and covers may break if exposed to sudden temperature changes or impact, such as bumping or dropping. Tempered glass is designed to shatter into many small pieces if it breaks.
- Keep fingers out of the “pinch point” areas; clearances between the doors and between the doors and cabinet are necessarily small. Be careful closing doors when children are in the area.
- Do not touch the cold surfaces in the freezer compartment when hands are damp or wet, skin may stick to these extremely cold surfaces.
- Do not refreeze frozen foods which have thawed completely.

## INSTALLATION

**▲ WARNING**  **EXPLOSION HAZARD**

Keep flammable materials and vapors, such as gasoline, away from refrigerator. Failure to do so can result in fire, explosion, or death.

# READ AND SAVE THESE INSTRUCTIONS

# IMPORTANT SAFETY INFORMATION

## READ ALL INSTRUCTIONS BEFORE USING THE APPLIANCE

### CONNECTING ELECTRICITY

#### **⚠ WARNING** **ELECTRICAL SHOCK HAZARD**

Plug into a grounded 3-prong outlet  
 Do not remove the ground prong  
 Do not use an adapter  
 Do not use an extension cord.  
 Failure to follow these instructions can result in death, fire, or electrical shock.

**Do not, under any circumstances, cut or remove the third (ground) prong from the power cord. For personal safety, this appliance must be properly grounded.**

The power cord of this appliance is equipped with a 3-prong (grounding) plug which mates with a standard 3-prong (grounding) wall outlet to minimize the possibility of electric shock hazard from this appliance.

Have the wall outlet and circuit checked by a qualified electrician to make sure the outlet is properly grounded.

Where a standard 2-prong wall outlet is encountered, it is your personal responsibility and obligation to have it replaced with a properly grounded 3-prong wall outlet. Do not use an adapter.

The refrigerator should always be plugged into its own individual electrical outlet which has a voltage rating that matches the rating plate.

A 115 Volt AC, 60 Hz, 15- or 20-amp fused, grounded electrical supply is required. This provides the best performance and also prevents overloading house wiring circuits which could cause a fire hazard from overheated wires.

Never unplug your refrigerator by pulling on the power cord. Always grip plug firmly and pull straight out from the outlet.

Immediately discontinue use of a damaged supply cord. If the supply cord is damaged, it must be replaced by a qualified service professional with an authorized service part from the manufacturer.

When moving the refrigerator away from the wall, be careful not to roll over or damage the power cord.

### PROPER DISPOSAL OF YOUR OLD REFRIGERATOR

#### **⚠ WARNING** **SUFFOCATION AND ENTRAPMENT HAZARD**

Failure to follow these disposal instructions can result in death or serious injury

**IMPORTANT:** Child entrapment and suffocation are not problems of the past. Junked or abandoned refrigerators or freezers are still dangerous even if they will sit for “just a few days.” If you are getting rid of your old refrigerator or freezer, please follow the instructions below to help prevent accidents.

#### **Before You Throw Away Your Old Appliance**

- Take off the fresh food and freezer doors.
- Leave the shelves in place so that children may not easily climb inside.

#### **Refrigerant and Foam Disposal:**

Dispose of appliance in accordance with Federal and Local Regulations. Flammable refrigerant and insulation material used requires special disposal procedures. Contact your local authorities for the environmentally safe disposal of your appliance.

## READ AND SAVE THESE INSTRUCTIONS

# IMPORTANT SAFETY INFORMATION

## READ ALL INSTRUCTIONS BEFORE USING THE APPLIANCE

**⚠ WARNING**  **FIRE OR EXPLOSION HAZARD Flammable Refrigerant**

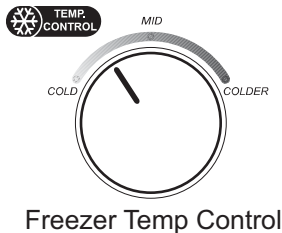
**This appliance contains isobutane refrigerant, also known as R600a, a natural gas with high environmental compatibility. However, it is also combustible. Adhere to the warnings below to reduce the risk of injury or property damage.**

1. When handling, installing and operating the appliance, care should be taken to avoid damage to the refrigerant tubing.
2. Service shall only be performed by authorized service personnel. Use only manufacturer-authorized service parts.
3. Dispose of refrigerator in accordance with the Federal and Local Regulations. The flammable refrigerant and insulation material used in this product require special disposal procedures. Contact your local authorities for the environmentally safe disposal of your refrigerator.
4. Keep ventilation openings in the appliance enclosures or in the built-in structure clear of obstruction.
5. To remove frost, scrape with a plastic or wood spatula or scraper. Do not use an ice pick or a metal or sharp-edged instrument as it may puncture the freezer liner and then the flammable refrigerant tubing behind it.
6. Do not use electrical appliances inside the food storage compartment of the appliance.
7. Do not use any electrical device to defrost your freezer.

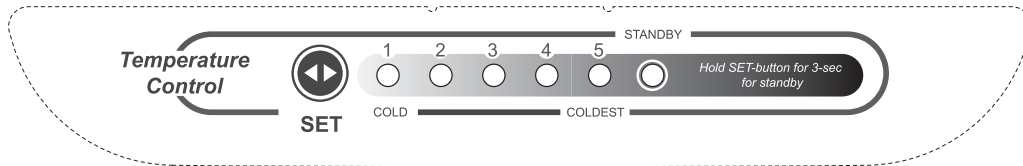
**READ AND SAVE THESE INSTRUCTIONS**

# Controls

There is a temperature control in the fresh food compartment as well as the freezer compartment. Initially set the control to the recommended normal settings in the fresh food and freezer compartments. Allow 24 hours for the temperature to stabilize.



Freezer Temp Control



Fresh Food Temp Control

1 is cold  
5 is coldest

## Control Settings

### Refrigerator Control

When first powered all lights are illuminated for 3 seconds.

The factory setting 3 is displayed after 3 seconds. Change setting by pressing SET key, each time you press it will advance by 1. Press until the desired setting is achieved. Adjust controls one increment at a time to determine your preferred setting. Allow 12 hours after each adjustment for the refrigerator reach the temperature you have set. Setting 1 is the warmest 5 is the coldest.

### Standby Mode

When the refrigerator is in ON, Press SET for 3 seconds the refrigerator will go into standby mode, the standby indicator light will be on.

Standby setting will stop cooling in both the refrigerator and freezer compartments but does not shut off electrical power to the refrigerator.

Revert to normal operation by pressing the SET button, the standby light will go off, it will go back to the last setting.

After each adjustment, check both the freezer and the fresh food compartments. Changing the fresh food control will affect the temperature of the freezer compartment. Likewise, changing the freezer control can affect the temperature of the fresh food compartment.

Control settings will vary based on personal preferences, usage and operating conditions and may require more than one adjustment. Factors that affect temperature include the amount of food in the fresh food and freezer compartments, frequency of door opening, and temperature of food when placed in either compartment.

# Shelves and Bins

Not all features are on all models.

## Rearranging the Shelves

Shelves in the refrigerator and freezer compartments are adjustable.

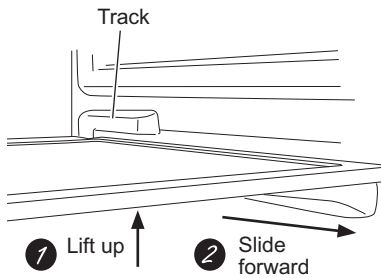
### REFRIGERATOR COMPARTMENT

#### Full Width Shelves

The shelf rests on a molded side-wall support and locks into a track on the rear cabinet wall on each side.

#### To remove:

1. Lift the shelf up through the space in the track.
2. Slide the shelf forward along the track.
3. Pull the shelf out of the unit.



#### To replace:

Reverse removal steps above.

### ⚠ CAUTION

Do not clean glass shelves or covers with warm water when they are cold. Glass shelves and covers may break if exposed to sudden temperature changes or impact such as bumping or dropping. Tempered glass is designed to shatter into many small pieces if it breaks.

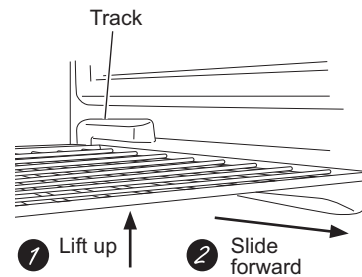
Do not wash any plastic refrigerator parts in the dishwasher.

### FREEZER COMPARTMENT

The shelf rests on a molded side-wall support and locks into a track on the rear cabinet wall on each side.

#### To remove:

1. Lift the shelf up through the space in the track.
2. Slide the shelf forward along the track.
3. Pull the shelf out of the unit.



#### To replace:

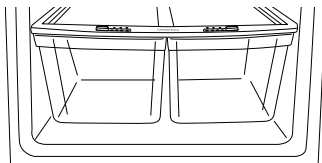
Reverse removal steps above.

# Crispers and Pans

Not all features are on all models.

## Fruit and Vegetable Crispers

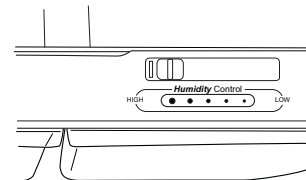
Excess water that may accumulate in the bottom of the drawers or under the drawers should be wiped dry.



## Adjustable Humidity Crisper

Slide the control all the way to the High setting to provide high humidity recommended for most vegetables.

Slide the control all the way to the Low setting to provide lower humidity levels recommended for most fruits.



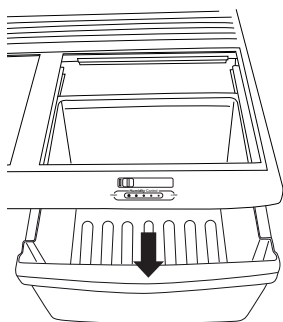
## Crisper Removal

Unload the bottom shelf before attempting to remove the storage drawers.

### To remove:

Lift the drawers up slightly while pulling them past the stop location.

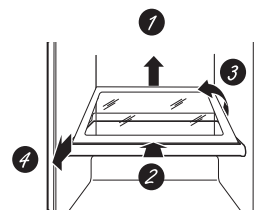
If the door prevents you from taking out the drawers, first try to remove the door bins. If this does not offer enough clearance, the refrigerator will need to be rolled forward until the door opens enough to slide the drawers out. In some cases, when you roll the refrigerator out, you will need to move the refrigerator to the left or right as you roll it out.



### To remove the glass cover:

Remove the glass, then the frame. When replacing the glass, push the front edge firmly into the frame.

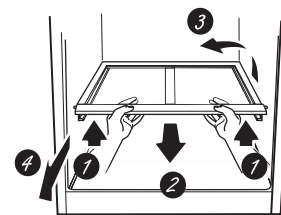
1. Push up the glass cover at the rear.
2. Slide the glass cover backwards until the front edge comes out of the frame.
3. Rotate the side of the glass cover up.
4. Remove the glass cover.



Removing the glass cover

### To remove the frame:

1. Lift up the front of the frame using both hands.
2. Slide the frame forward.
3. Rotate the side of the frame up.
4. Remove the frame.



Removing the frame



# Care And Cleaning

## Cleaning the Outside

The door handles and trim. Clean with a cloth dampened with soapy water. Dry with a soft cloth.

Keep the outside clean. Wipe with a clean cloth lightly dampened with kitchen appliance wax or mild liquid dish detergent. Dry and polish with a clean, soft cloth.

The stainless steel panels and door handles (on some models) can be cleaned with a commercially available stainless steel cleaner. Cleaners with oxalic acid such as Bar Keepers Friend Soft Cleanser will remove rust, tarnish, and small blemishes. Use only a liquid cleanser free of grit and rub in the direction of the brush lines with a damp soft sponge. Do not use appliance wax or polish on the stainless steel.

Do not wipe the refrigerator with a soiled dish cloth or wet towel. These may leave a residue that can erode the paint. Do not use scouring pads, powdered cleaners, bleach or cleaners containing bleach because these products can scratch and weaken the paint finish.

## Cleaning the Inside

**To help prevent odors**, leave an open box of baking soda in the fresh food and freezer compartments.

### Unplug the refrigerator before cleaning.

If this is not practical, wring excess moisture out of sponge or cloth when cleaning around switches, lights or controls.

**Use warm water and baking soda solution**—about a tablespoon (15 ml) of baking soda to a quart (1 liter) of water. This both cleans and neutralizes odors. Rinse and wipe dry.

Do not clean with any products containing detergent, bleach or ammonia. They may damage the refrigerator.

After cleaning the door gaskets, apply a thin layer of petroleum jelly to the door gaskets at the hinge side. This helps keep the gaskets from sticking and bending out of shape. Do not use cleansing powders or other abrasive cleaners.

### ⚠ CAUTION

Do not clean glass shelves or covers with warm water when they are cold. Glass shelves and covers may break if exposed to sudden temperature changes or impact such as bumping or dropping. Tempered glass is designed to shatter into many small pieces if it breaks.

Do not wash any plastic refrigerator parts in the dishwasher.

## Condenser

Depending on the model, the condenser is either located near the compressor or behind the back wall. For condensers near the compressor, there is no need for routine condenser cleanings in normal home operating environments. However, in environments that may be particularly dusty or greasy, the condenser should be cleaned periodically for efficient refrigerator operation.

### Cleaning the condenser:

Sweep away or vacuum up dust.

### ⚠ WARNING

To reduce the risk of death or electric shock, you must follow these instructions:

- Unplug the refrigerator before removing any panels.
- Do not contact or damage any wiring while the panel is removed.
- Replace all parts and panels before plugging the refrigerator back in.

## Care and Cleaning

### Moving the Refrigerator

Be careful when moving the refrigerator away from the wall. All types of floor coverings can be damaged, particularly cushioned coverings and those with embossed surfaces.

Turn the leveling legs at each front corner of the refrigerator counterclockwise until the rollers support the refrigerator. Pull the refrigerator straight out and return it to position by pushing it straight in.

Moving the refrigerator in a side direction may result in damage to the floor covering or refrigerator.

**⚠ WARNING**  **ELECTRICAL SHOCK HAZARD**

When pushing the refrigerator back, make sure you don't roll over the power cord.

After rolling the refrigerator back into place, turn the legs clockwise until the legs again bear the weight of the refrigerator.

### Preparing for Vacation

For long vacations or absences, remove food and unplug the refrigerator. Move the refrigerator control to the OFF position and clean the interior with a baking

soda solution of one tablespoon (15 ml) of baking soda to one quart (1 liter) of water. Leave the doors open.

### Preparing to Move

Secure all loose items such as grille, shelves and drawers by taping them securely in place to prevent damage. To prevent the doors from opening while moving, secure them to the case with tape.

Be sure the refrigerator stays in an upright position during moving.

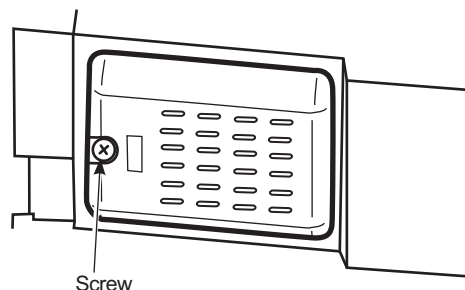
### Replacing the Light Bulb

**⚠ WARNING**  **Electrical Shock Hazard.**

**Unplug the refrigerator before replacing the light bulb.**

Setting the refrigerator control to OFF does not remove power to the light circuit.

1. Unplug the refrigerator.
2. Remove the top shelf (if necessary).
3. The bulb is located behind a light lens in the ceiling of the refrigerator section. Remove the light lens by removing the single screw using a Phillips head screwdriver.
4. Replace the bulb with an appliance bulb of the same or lower wattage.
5. Replace the light lens.
6. Plug the refrigerator back in.



# Installation Instructions

## Refrigerator Model GTE18M

Questions? Call 800.GE.CARES (800.432.2737) or visit our Website at: [GEAppliances.com](http://GEAppliances.com)  
 In Canada, call 1.800.561.3344 or visit our Website at: [GEAppliances.ca](http://GEAppliances.ca)

- ### BEFORE YOU BEGIN
- Read these instructions completely and carefully.
- **IMPORTANT** – Save these instructions for local inspector’s use.
  - **IMPORTANT** – Observe all governing codes and ordinances.
  - **Note to Installer** – Be sure to leave these instructions with the Consumer.
  - **Note to Consumer** – Keep these instructions for future reference.
  - **Skill level** – Installation of this appliance requires basic mechanical skills.
  - **Completion time** – Refrigerator Installation - 15 minutes. Reversing the Door Swing - 15 minutes.
  - Proper installation is the responsibility of the installer.
  - Product failure due to improper installation is not covered under the Warranty.

- ### REFRIGERATOR LOCATION
- Do not install the refrigerator where the temperature will go below 55°F (12.7°C) because it will not run often enough to maintain proper temperatures.
  - Do not install the refrigerator where the temperature will go above 100°F (37°C) because it will not perform properly.
  - Do not install the refrigerator in a location exposed to water (rain, etc.) or direct sunlight.
  - Install it on a floor strong enough to support it fully loaded.

### CLEARANCES

Allow the following clearances for ease of installation, proper air circulation and plumbing and electrical connections.

Sides 1/8" (3 mm)  
 Top 1" (25 mm)  
 Back 1" (25 mm)

If the refrigerator is to be installed next to a wall on the hinge side, allow 5/16" (8 mm) door clearance.

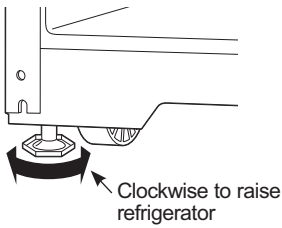
### ROLLERS AND LEVELING LEGS

Leveling legs near each front corner of the refrigerator are adjustable. They firmly position the refrigerator and prevent it from moving when the doors are opened. Leveling legs should be set so the front of the refrigerator is raised just enough that the doors close easily when opened about halfway.

Turn the leveling legs clockwise to raise the refrigerator, counterclockwise to lower it.

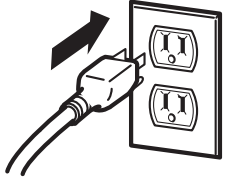
Rollers next to the leveling legs allow you to move the refrigerator away from the wall for cleaning.

Turn the legs counterclockwise until the weight of the refrigerator is transferred from them to the rollers. After rolling the refrigerator back into place, turn the legs clockwise until the legs again bear the weight of the refrigerator.



### INSTALLING THE REFRIGERATOR

Plug in the refrigerator.

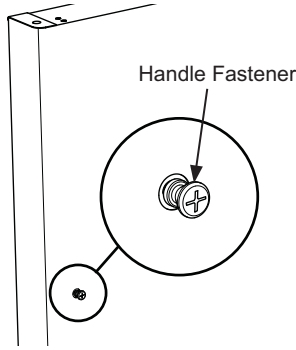


# Installation Instructions

## INSTALLING THE DOOR HANDLE

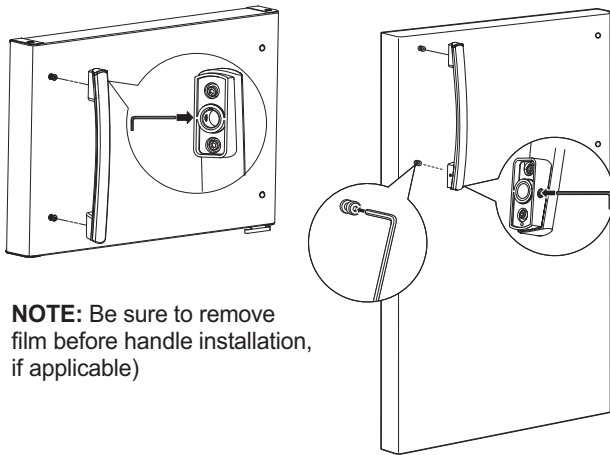
### 1 HANDLE FASTENERS

1. If the door swings needs to be reversed, see the Reversing the Door Section.
2. Install the handle fasteners with a Phillips screwdriver into the holes on the freezer and fresh food doors.



### 2 HANDLE INSTALLATION

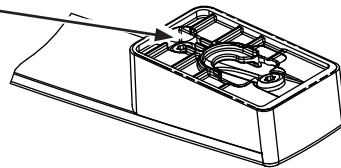
1. Attach each handle to the door handle fasteners with set screws using a 1/8" Allen wrench.
2. Tighten the set screws at the top and bottom of each handle **NOTE:** Do not overtighten.



**NOTE:** Be sure to remove film before handle installation, if applicable)

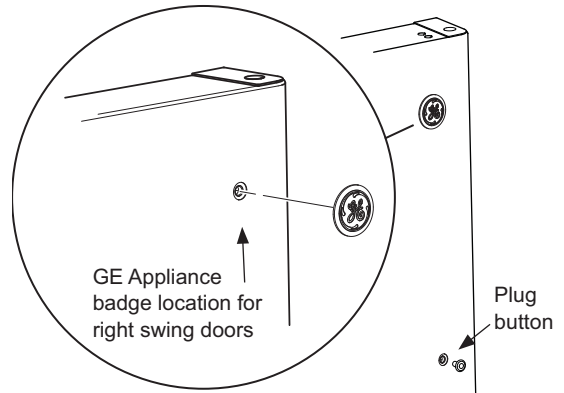
#### For Stainless Steel Handles Only

Do not remove the film that covers the door contact surface shown in the picture. This film protects the door surface from direct contact with the handle.



### 3 BADGE AND PLUG BUTTON INSTALLATION ON FREEZER DOOR

1. Remove the plug button from the top, unused handle mounting hole.
2. Locate the GE Appliances badge in the crisper pan and remove paper backing.
3. Carefully orient the badge correctly and apply it to the unused top freezer handle hole.



# Installation Instructions

## REVERSING THE DOOR SWING

**⚠ WARNING** Follow all steps when reversing the door swing. Failure to follow these instructions, leaving off parts, or overtightening screws, can lead to the door falling off and result in injury and property damage.

### IMPORTANT NOTES

When reversing the door swing:

- Read the instructions all the way through before starting.
- Handle parts carefully to avoid scratching paint.
- Set screws down by their related parts to avoid using them in the wrong places.
- Provide a non-scratching work surface for the doors.

**IMPORTANT:** Once you begin, do not move the cabinet until door-swing reversal is completed.

These instructions are for changing the hinges from the right side to the left side—if you ever want to change the hinges back to the right side, follow these same instructions and reverse all references to left and right.

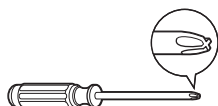
Unplug the refrigerator from its electrical outlet.

**NOTE:** Do not let either door drop to the floor. To do so could damage the door stop.

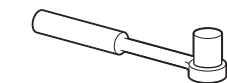
### ⚠ CAUTION Lifting Hazard

The Fresh Food and Freezer doors are heavy Use both hands to secure the doors before lifting.

### TOOLS YOU WILL NEED



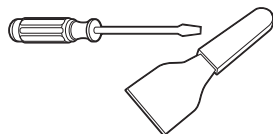
Phillips screwdriver



5/16" socket and ratchet



Masking tape



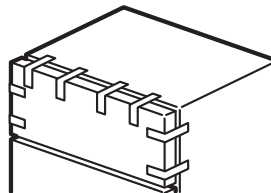
Putty knife or thin-blade screwdriver



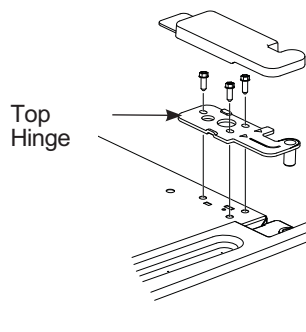
Allen wrench (1/8" for all handles)

### 1 REMOVE FREEZER DOOR

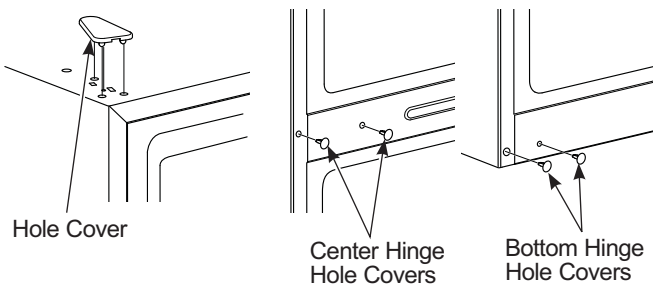
1. Remove all food from the inner door liner.
2. Tape the door shut with masking tape.



3. Remove the hinge cover on top of the freezer door with a thin-blade screwdriver.
4. Remove the three screws with a 5/16" socket and ratchet, then lift the hinge straight up to free the hinge pin from the socket in the top of the door.



5. Remove the tape and tilt the door away from the cabinet. Lift it off the center hinge pin.
6. Remove the hole covers with a putty knife on the opposite side of the three hinges.



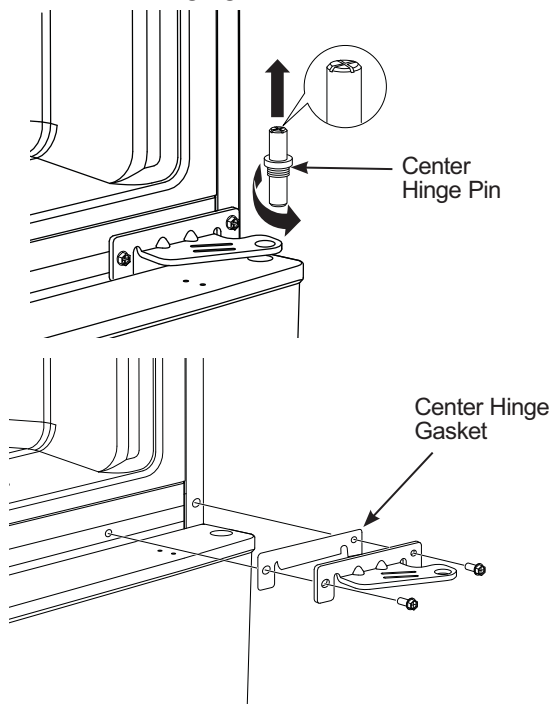
7. Set the door on a non-scratching surface with the inside up.

# Installation Instructions

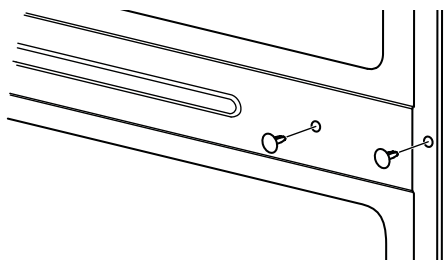
## REVERSING THE DOOR SWING (Cont.)

### 2 REMOVE REFRIGERATOR DOOR

1. Remove all food from the inner door liner.
2. Tape the door shut with masking tape.
3. Remove the center hinge pin with a Phillips screwdriver.
4. Remove the center hinge by removing two hinge screws with a 5/16" socket and ratchet. Save the center hinge, hinge pin, screws and center hinge gasket.

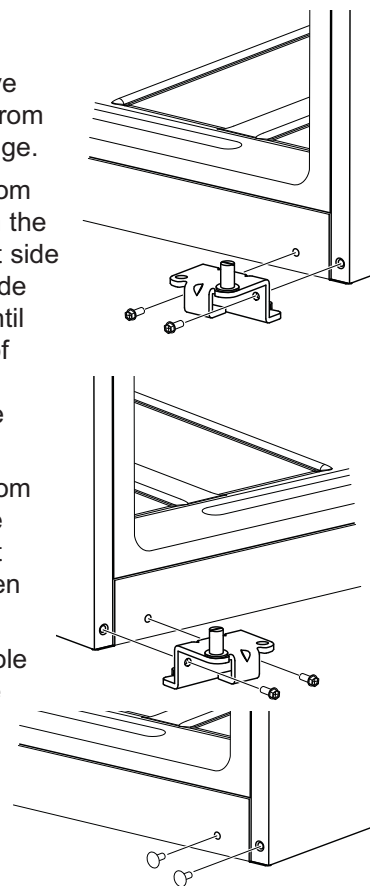


5. Remove the tape and tilt the door away from the cabinet. Lift the door straight up to free its bottom socket from the pin in the bottom hinge bracket.
6. Set the door on a non-scratching surface with the inside up.
7. Install the 2 hole plugs from the opposite side of the cabinet to the screw holes vacated by the center hinge removal.



### 3 TRANSFER BOTTOM HINGE TO THE LEFT

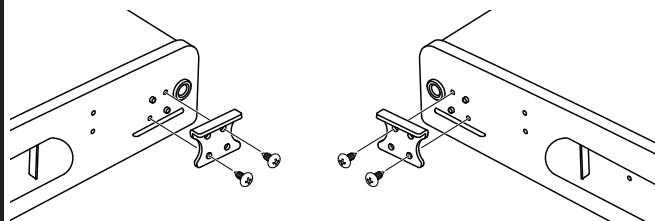
1. Using a 5/16 Socket and ratchet, remove the 2 screws from the bottom hinge.
2. Move the bottom hinge pin from the right to the left side with a thin-blade screwdriver until the shoulder of the hinge pin is touching the hinge.
3. Move the bottom hinge from the right to the left side and tighten the 2 screws.
4. Install the 2 hole plugs from the opposite side of the cabinet to the screw holes vacated by the bottom hinge removal.



**▲WARNING** Follow all steps when reversing the door swing. Failure to follow these instructions, leaving off parts, or overtightening screws, can lead to the door falling off and result in injury and property damage.

### 4 TRANSFER DOOR STOP TO THE LEFT

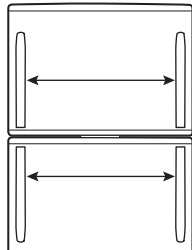
1. On both the refrigerator and freezer doors, remove the screws from the door stop on the right with a Phillips screwdriver.
2. Install the door stop on the left of each door.



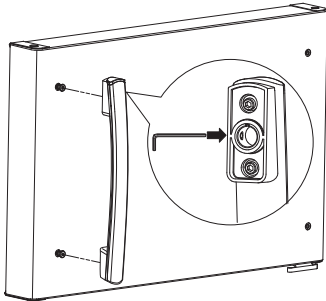
# Installation Instructions

## REVERSING THE DOOR SWING (Cont.)

### 5 REVERSING DOOR HANDLES – TRANSFER FREEZER DOOR HANDLE TO THE RIGHT SIDE OF THE FREEZER DOOR



1. Loosen the set screw on the handle with 1/8" Allen wrench and remove handle.



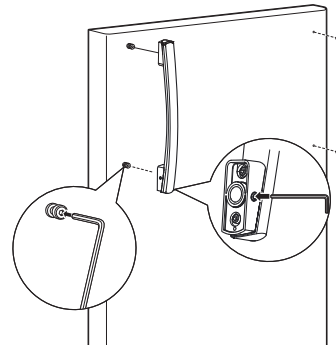
2. Remove the fasteners from the surface of the freezer door.
3. Remove the plug buttons (and GE Badge if present) from the surface of the right side of the freezer door and insert the fasteners with a Phillips screwdriver.
4. Attach handle to freezer door with screw at the top of the handle. Use 1/8" allen wrench to tighten the set screw at the bottom of the handle.

**NOTE:** Do not over-tighten.

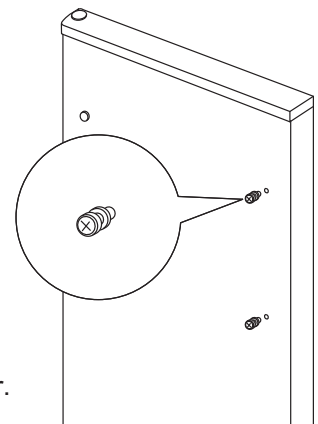
5. Insert plug button into bottom handle hole.
6. Insert GE Badge over top unused handle hole.

### 5 REVERSING DOOR HANDLES – TRANSFER REFRIGERATOR DOOR HANDLE TO THE RIGHT SIDE OF THE REFRIGERATOR DOOR

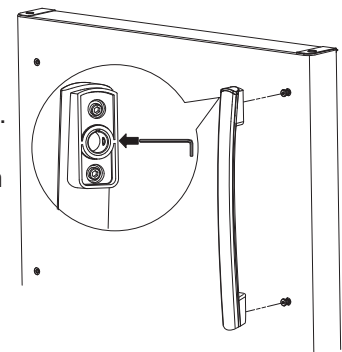
6. Loosen the set screw on the handle with 1/8" Allen wrench and remove handle.



7. Remove the fasteners from the surface of the refrigerator door.
8. Remove the plug buttons from the surface of the right side of the refrigerator door and insert the fasteners with a Phillips screwdriver.



9. Attach handle to refrigerator door with screw at the top of the handle. Use 1/8" allen wrench to tighten the set screw at the bottom of the handle.



**NOTE:** Do not over-tighten.

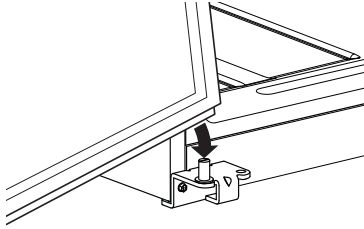
10. Insert plug buttons into remaining holes.

# Installation Instructions

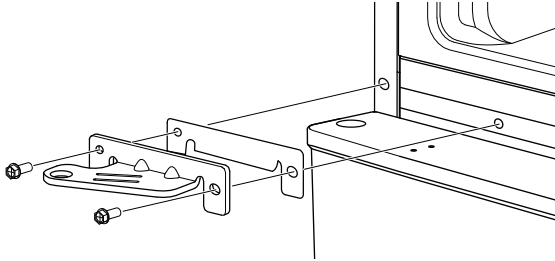
## REVERSING THE DOOR SWING (Cont.)

### 6 REHANG THE REFRIGERATOR DOOR

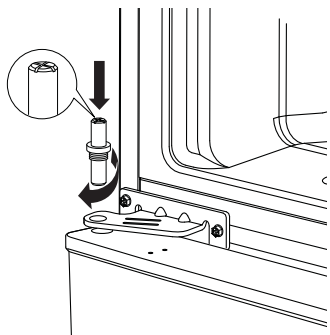
1. Lower the refrigerator door onto the bottom hinge pin.



2. While holding the door securely, align the socket in the door with the hole in the center hinge. Attach the center hinge and gasket with two screws with a 5/16" socket and ratchet.

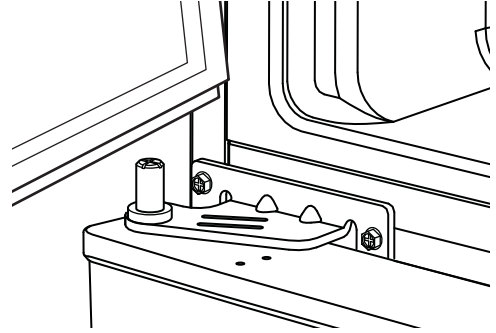


3. Check to ensure the alignment between the socket in the door and the hole in the center hinge. Insert the hinge pin into the center hinge and tighten with a Phillips screwdriver until the shoulder of the hinge pin is touching the center hinge.

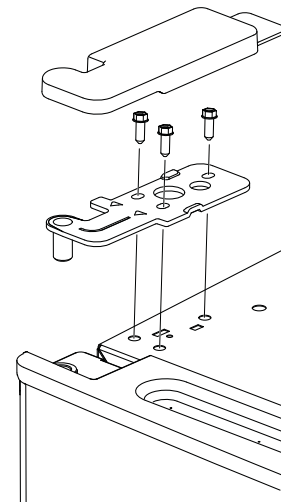


### 7 REHANG THE FREEZER DOOR

1. Lower the freezer door onto the center hinge pin.



2. Place the left top hinge so the pin fits into the door socket. (Left top hinge and cover can be found inside of the product. Call GE Appliances Service at 800.GE.CARES (800.432.2737 or in Canada call 800.561.3344 if parts are missing.) Support the door on the handle side and make sure the door is straight and the gap between the doors is even across the front. While holding the door in place, tighten the top hinge screws. Do not overtighten these screws. Tighten them until they are just snug, and then turn them another one-half turn.





3. Snap the left top hinge cover over the hinge.



# Normal Operating Sounds

Newer refrigerators sound different from older refrigerators. Modern refrigerators have more features and use newer technology.

**Do you hear what I hear? These sounds are normal.**

<p style="text-align: center;"><b>HUMMM... WHOOSH...</b></p> <ul style="list-style-type: none"> <li>■ The new high efficiency compressor may run faster and longer than your old refrigerator and you may hear a high-pitched hum or pulsating sound while it is operating.</li> <li>■ You may hear a whooshing sound when the doors close. This is due to pressure equalizing within the refrigerator.</li> </ul>	<p style="text-align: center;"><b>WHIR!</b></p>  <ul style="list-style-type: none"> <li>■ You may hear the fans spinning at high speeds. This happens when the refrigerator is first plugged in, when the doors are opened frequently or when a large amount of food is added to the refrigerator or freezer compartments. The fans are helping to maintain the correct temperatures.</li> </ul>
<p style="text-align: center;"><b>CLICKS, POPS, CRACKS and CHIRPS</b></p> <ul style="list-style-type: none"> <li>■ You may hear cracking or popping sounds when the refrigerator is first plugged in. This happens as the refrigerator cools to the correct temperature.</li> <li>■ The compressor may cause a clicking or chirping sound when attempting to restart (this could take up to 5 minutes).</li> <li>■ Expansion and contraction of cooling coils during and after defrost can cause a cracking or popping sound.</li> </ul>	<p style="text-align: center;"><b>WATER SOUNDS</b></p> <ul style="list-style-type: none"> <li>■ The flow of refrigerant through the freezer cooling coils may make a gurgling noise like boiling water.</li> <li>■ Water dropping on the defrost heater can cause a sizzling, popping or buzzing sound during the defrost cycle.</li> </ul>  <ul style="list-style-type: none"> <li>■ A water dripping noise may occur during the defrost cycle as ice melts from the evaporator and flows into the drain pan.</li> <li>■ Closing the door may cause a gurgling sound due to pressure equalization.</li> </ul>

## Troubleshooting Tips... Before you call for service

Save time and money! Review the charts on the following pages first and you may not need to call for service. If needed, service can be scheduled by visiting us online [GEAppliances.com](http://GEAppliances.com) or calling 800.GECARES 800.432.2737. In Canada visit [GEAppliances.ca](http://GEAppliances.ca) or call 800.561.3344.

Problem	Possible Causes	What To Do
Refrigerator compartment light does not work	No power at outlet.	Replace fuse or reset the breaker.
	Light bulb burned out or loose.	See Replacing the light bulbs.
Hot air from bottom of refrigerator.	Normal air flow cooling motor. In the refrigeration process, it is normal that heat be expelled in the area under the refrigerator. Some floor coverings will discolor at these normal and safe temperatures.	
Food freezing in the refrigerator	Food too close to the air vent at the back of the refrigerator.	Move the food away from the air vent (near the controls).
	Refrigerator control is set too cold.	Move the refrigerator control to a warmer Temperature setting one increment at a time.
Orange glow in the freezer	Defrost heater is on.	This is normal.
Door bins do not fit in the door	The freezer door bins are a different size than the refrigerator door bins.	Try to install the bins in both doors.
Controls do not light up controls.	Some models do not have lighted controls.	If you can read white numbers on the control setting, the model does not have lighted
	Refrigerator light bulb burned out or loose.	See Replacing the light bulbs.

## Troubleshooting Tips... Before you call for service

Problem	Possible Causes	What To Do
Freezer door pops open when refrigerator door is closed	This is normal if, after popping open, the freezer door closed on its own.	This indicates that there is a good seal on the freezer door. If the freezer door does not automatically close after popping open, the rollers need adjusting. See Rollers and Leveling Legs.
Door does not close by itself	Leveling legs need adjusting.	See Rollers and Leveling Legs.
Refrigerator does not operate	Refrigerator in defrost cycle.	Wait about 40 minutes for defrost cycle to end.
	Refrigerator control in 1 (off) position.	Move the refrigerator and freezer control to a temperature setting.
	Refrigerator is unplugged.	Push the plug completely into the outlet.
	The fuse is blown/circuit breaker is tripped.	Replace fuse or reset the breaker.
Vibration or rattling (slight vibration is normal)	Refrigerator is not resting on all four rollers.	Adjust leveling legs (See Rollers and Leveling Legs).
Motor operates for long periods or cycles on and off frequently (Modern refrigerators with more storage space and a larger freezer require more operating time. They start and stop often to maintain even temperatures.)	Normal when refrigerator is first plugged in.	Wait 24 hours for the refrigerator to completely cool down.
	Often occurs when large amounts of food are placed in refrigerator.	This is normal.
	Door left open.	Check to see if package is holding door open.
	Hot weather or frequent door openings.	This is normal.
	Temperature controls set at the coldest setting.	See About the controls.
Refrigerator or freezer compartment too warm	Temperature control not set cold enough.	See About the controls.
	Warm weather or frequent door openings.	Set the temperature control one step colder. See About the controls.
	Door left open.	Check to see if package is holding door open.
	Freezer door popped open.	See the problem Freezer door pops open when refrigerator door is closed.
Frost or ice crystals on frozen food (frost within package is normal)	Door left open.	Check to see if package is holding door open.
	Too frequent or too long door openings.	
	Food blocking freezer air vents.	Move items away from the back wall of the freezer.
Moisture forms on cabinet surface between the doors	Not unusual during periods of high humidity.	Wipe surface dry; then adjust the fresh food control setting one number higher and check again in 24 hours.
Refrigerator has odor	Foods transmitting odor to refrigerator.	Foods with strong odors should be tightly wrapped. Keep an open box of baking soda in the refrigerator; replace every three months.
	Interior needs cleaning.	See Care and cleaning.
Moisture collects inside (in humid weather, air carries moisture into refrigerator when doors are opened)	Too frequent or too long door openings.	Cover or seal open containers. During a defrost cycle, moisture will be removed from the refrigerator, but may return with long or frequent door openings.
	Open containers of water or warm food in the refrigerator.	

# Refrigerator Limited Warranty

**For US Customers**, all warranty service provided by our Factory Service Centers, or an authorized Customer Care® technician. To schedule service, on-line, 24 hours a day, visit us at **GEAppliances.com**, or call 800.GE.CARES (800.432.2737). Please have serial number and model number available when calling for service.  
**In Canada**, call 800.561.3344.

Servicing your refrigerator may require the use of the onboard data port for diagnostics. This gives a GE Appliances Factory Service technician the ability to quickly diagnose any issues with your appliance and helps improve its products by providing information on your appliance. If you do not want your appliance data to be sent to GE Appliances, please advise your technician **NOT** to submit the data at the time of service.

For the Period of:	GE Appliances Will Replace
<b>One Year</b> From the date of the original purchase	<b>Any part</b> of the refrigerator which fails due to a defect in materials or workmanship. During the <b>limited one-year warranty</b> , GE Appliances will also provide, <b>free of charge</b> , all labor and related service to replace the defective part.

## What is Not Covered:

- Service trips to your home to teach you how to use the product.
- Improper installation, delivery or maintenance.
- Failure of the product if it is abused, misused, or used for other than the intended purpose or used commercially.
- Loss of food due to spoilage.
- Replacement of house fuses or resetting of circuit breakers.
- Damage caused after delivery.
- Replacement of the water filter cartridge, if included, due to water pressure that is outside the specified operating range or due to excessive sediment in the water supply.
- Replacement of the light bulbs, if included, or water filter cartridge, if included, other than as noted above.
- Damage to the product caused by accident, fire, floods or acts of God.
- Incidental or consequential damage caused by possible defects with this appliance.
- Product not accessible to provide required service.
- Damage caused by a non-GE Appliances Brand water filter.
- Damage to finish, such as surface rust, tarnish, or small blemishes not reported within 48 hours of delivery.
- Products which are not defective, broken, or which are working as described in the owner's manual.

**EXCLUSION OF IMPLIED WARRANTIES—Your sole and exclusive remedy is product repair as provided in this Limited Warranty. Any implied warranties, including the implied warranties of merchantability or fitness for a particular purpose, are limited to one year or the shortest period allowed by law.**

**For US Customers:** This warranty is extended to the original purchaser and any succeeding owner for products purchased for home use within the USA. If the product is located in an area where service by a GE Appliances Authorized Servicer is not available, you may be responsible for a trip charge or you may be required to bring the product to an Authorized GE Appliances Service location for service. In Alaska, the warranty excludes the cost of shipping or service calls to your home.

Some states do not allow the exclusion or limitation of incidental or consequential damages. This warranty gives you specific legal rights, and you may also have other rights which vary from state to state. To know what your legal rights are, consult your local or state consumer affairs office or your state's Attorney General.

**Warrantor US: GE Appliances, a Haier company**  
**Louisville, KY 40225**

**For Customers in Canada:** This warranty is extended to the original purchaser and any succeeding owner for products purchased in Canada for home use within Canada. In-home warrant service will be provided in areas where it is available and deemed reasonable by Mabe to provide.

**Warrantor Canada: MC Commercial, Burlington, Ontario, L7R 5B6**

Staple your receipt here. Proof of the original purchase date is needed to obtain service under the warranty.

# Consumer Support

---

## GE Appliances Website

Have a question or need assistance with your appliance? Try the GE Appliances Website 24 hours a day, any day of the year! You can also shop for more great GE Appliances products and take advantage of all our on-line support services designed for your convenience. In the US: **GEAppliances.com** In Canada: **GEAppliances.ca**

---

## Register Your Appliance

Register your new appliance on-line at your convenience! Timely product registration will allow for enhanced communication and prompt service under the terms of your warranty, should the need arise. You may also mail in the pre-printed registration card included in the packing material.

In the US: **GEAppliances.com/register**

In Canada: **Prodsupport.mabe.ca/crm/Products/ProductRegistration.aspx**

---

## Schedule Service

Expert GE Appliances repair service is only one step away from your door. Get on-line and schedule your service at your convenience any day of the year.

In the US: **GEAppliances.com/service** or call 800.432.2737 during normal business hours.

In Canada: **GEAppliances.ca/en/support/service-request** or call 800.561.3344

---

## Extended Warranties

Purchase a GE Appliances extended warranty and learn about special discounts that are available while your warranty is still in effect. You can purchase it on-line anytime. GE Appliances Services will still be there after your warranty expires.

In the US: **GEAppliances.com/extended-warranty** or call 800.626.2224 during normal business hours.

In Canada: **GEAppliances.ca/en/support/purchase-extended-warranty** or call 866.277.9842

---

## Remote Connectivity

For assistance with wireless network connectivity (for models with remote enable), visit our website at **GEAppliances.com/connected-home-smart-appliances/** or call 800.220.6899 in the US only.

---

## Parts and Accessories

Individuals qualified to service their own appliances can have parts or accessories sent directly to their homes (VISA, MasterCard and Discover cards are accepted). Order on-line today 24 hours every day.

In the US: **GEApplianceparts.com** or by phone at 877.959.8688 during normal business hours.

**Instructions contained in this manual cover procedures to be performed by any user. Other servicing generally should be referred to qualified service personnel. Caution must be exercised, since improper servicing may cause unsafe operation.**

Customers in Canada should consult the yellow pages for the nearest Mabe service center, visit our website at **GEAppliances.ca/en/products/parts-filters-accessories** or call 800.661.1616.

---

## Contact Us

If you are not satisfied with the service you receive from GE Appliances, contact us on our Website with all the details including your phone number, or write to:

In the US: General Manager, Customer Relations | GE Appliances, Appliance Park | Louisville, KY 40225

**GEAppliances.com/contact**

In Canada: Director, Consumer Relations, Mabe Canada Inc. | Suite 310, 1 Factory Lane | Moncton, N.B. E1C 9M3

**GEAppliances.ca/en/contact-us**

---



# Congélateur supérieur RÉFRIGÉRATEUR

**MESURES DE SÉCURITÉ** .....3

**UTILISATION DU RÉFRIGÉRATEUR**

Commandes .....6

Clayettes et bacs .....7

Bacs à légumes et à casse-croûte .....8

**SOINS ET NETTOYAG** .....9

Nettoyage de l'extérieur .....9

Nettoyage de l'intérieur .....9

Le condenseur .....9

Déplacement du réfrigérateur .....10

Préparation de départ en vacances ....10

Préparation de déménagement .....10

Remplacement de l'ampoule électrique .10

**INSTRUCTIONS D'INSTALLATION** ..... 11

Installation de la poignée de porte .....12

inversion du sens d'ouverture des portes .....13

**DÉPANNAGE**

Bruits normaux de fonctionnement ....17

Conseils de dépannage .....17

**GARANTIE LIMITÉE** .....19

**SOUTIEN AU CONSOMMATEUR** ..... 20

**MANUEL D'UTILISATION ET INSTRUCTIONS D'INSTALLATION**

GTE18M

**FRANÇAIS**

Écrivez ici le numéro de modèle et le numéro de série :

Modèle # \_\_\_\_\_

Série # \_\_\_\_\_

Vous les trouvez sur une étiquette dans le coin supérieur gauche du compartiment réfrigérateur.

## **NOUS VOUS REMERCIONS D'ACCUEILLIR GE APPLIANCES CHEZ VOUS**

---

Que vous ayez grandi avec GE Appliances ou qu'il s'agisse de votre première acquisition, nous sommes heureux de vous accueillir dans notre famille.

Nous sommes fiers du savoir-faire, de l'innovation et de l'esthétique qui composent chaque appareil GE Appliances, et nous pensons que vous le serez aussi. Dans cette optique, nous vous rappelons que l'enregistrement de votre électroménager vous assure la communication de renseignements importants sur le produit et la garantie lorsque vous en avez besoin.

Enregistrez votre électroménager GE en ligne dès maintenant. Des sites Web et des numéros de téléphone utiles figurent dans la section Soutien au consommateur de ce manuel d'utilisation.

Vous pouvez aussi poster la fiche de garantie pré-imprimée incluse dans l'emballage.



**GE APPLIANCES**

# INFORMATION DE SÉCURITÉ IMPORTANTES

## LISEZ TOUTES LES DIRECTIVES AVANT D'UTILISER L'APPAREIL

### AVERTISSEMENT

Pour réduire le risque d'incendie, d'explosion, de choc électrique ou de blessures lorsque vous utilisez votre réfrigérateur, veuillez suivre ces consignes de sécurité :

- Ce réfrigérateur doit être correctement installé conformément aux instructions d'installation avant toute utilisation.
- Débranchez le réfrigérateur avant d'effectuer une réparation, de remplacer une ampoule ou de le nettoyer.  
**Remarque** : L'alimentation du réfrigérateur ne peut être déconnectée par aucune des fonctions sur le panneau de commande.  
**Remarque** : Les réparations doivent être effectuées par un professionnel qualifié.
- Remettez toutes les pièces et panneaux en place avant d'utiliser l'appareil.
- Abstenez-vous d'entreposer ou d'utiliser de l'essence ou d'autres vapeurs et liquides inflammables aux alentours de cet électroménager ou d'autres appareils.
- N'entreposez pas dans cet électroménager des substances explosives telles que des bombes aérosols qui contiennent un gaz propulseur.
- N'utilisez pas un cordon de rallonge.
- Afin de prévenir les risques d'asphyxie et d'enfermement des enfants, enlevez les portes des compartiments réfrigérateur et congélateur avant de mettre le réfrigérateur au rebut ou d'en cesser l'usage.
- Afin de prévenir les accidents graves ou la mort, les enfants ne doivent pas se tenir ni jouer dans ou sur l'électroménager.
- Les enfants et les personnes dont les capacités sont réduites sur le plan physique, sensoriel ou mental, ou qui manquent d'expérience ou de connaissances, peuvent utiliser cet électroménager seulement si elles sont surveillées ou ont reçues des consignes de sécurité sur son usage et les risques y sont associés.
- Cet électroménager est conçu pour une utilisation domestique et applications similaires : salle du personnel dans une usine, un bureau ou d'autres lieux de travail; maison de ferme; clients dans un hôtel, un motel, un gîte touristique et d'autres lieux résidentiels; approvisionnement et applications similaires non reliées au commerce de détail.

### ATTENTION

Pour réduire le risque de blessures lorsque vous utilisez votre réfrigérateur, veuillez suivre ces consignes de sécurité.

- Ne nettoyez pas les tablettes ou les couvercles en verre avec de l'eau tiède quand ceux-ci sont froids. Les tablettes et couvercles en verre peuvent se casser s'ils sont exposés à des changements soudains de température ou si vous les cognez ou les faites tomber. Le verre trempé est conçu pour se briser en petits morceaux en cas de casse
- Éloignez les doigts des parties du congélateur où l'on peut facilement se pincer : les espaces entre les portes, et entre les portes et les placards sont toujours étroits. Soyez prudent lorsque vous fermez les portes en présence d'enfants.
- Ne touchez pas les surfaces froides du congélateur lorsque vous avez les mains humides ou mouillées. La peau risque d'adhérer à ces surfaces extrêmement froides.
- Ne recongelez pas les aliments surgelés qui ont complètement dégelé.

## INSTALLATION

### AVERTISSEMENT



### RISQUE D'EXPLOSION

Conservez les matériaux et vapeurs inflammables tels que l'essence à l'écart de votre réfrigérateur. Une explosion, un incendie voire la mort pourrait en résulter.

# LIRE ET CONSERVER CES INSTRUCTIONS

# INFORMATION DE SÉCURITÉ IMPORTANTES

## LISEZ TOUTES LES DIRECTIVES AVANT D'UTILISER L'APPAREIL

### BRANCHEMENTS ÉLECTRIQUES

#### ⚠ AVERTISSEMENT



#### RISQUE DE CHOC ÉLECTRIQUE

Branchez l'appareil dans une prise triple avec terre.

Ne retirez pas la broche de terre.

N'utilisez pas d'adaptateur.

N'utilisez pas un cordon de rallonge.

Le non-respect de ces instructions peut entraîner des risques d'incendies, des chocs électriques ou la mort.

**Ne coupez pas ou n'enlevez pas, sous aucun prétexte, la troisième broche de mise à la terre du cordon d'alimentation. Pour des raisons de sécurité, cet appareil doit être correctement mis à la terre.**

Le cordon d'alimentation de cet appareil est équipé d'une fiche à trois broches (pour une mise à la terre) qui s'adapte à la prise de courant standard à 3 broches (pour une mise à la terre) pour minimiser les risques de chocs électriques par cet appareil.

Faites vérifier la prise murale et le circuit électrique par un électricien qualifié pour s'assurer que le système est correctement mis à la terre.

Dans le cas d'une prise biphasée, l'installateur a la responsabilité et l'obligation de la remplacer par une prise triphasée correctement mise à la terre. N'utilisez pas d'adaptateur.

Le réfrigérateur doit toujours être branché à sa propre prise électrique d'une tension nominale correspondant à celle indiquée sur sa plaque signalétique.

Une alimentation électrique à 115 volts CA, 60 Hz, avec un fusible de 15 ou 20 ampères et une mise à la terre est nécessaire. Ceci permet d'obtenir un meilleur rendement et évite de surcharger les circuits électriques du domicile qui risque d'occasionner un incendie en surchauffant.

Ne débranchez jamais le réfrigérateur en tirant sur le cordon d'alimentation. Prenez toujours fermement la fiche en main et tirez pour la sortir de la prise.

Cessez immédiatement d'utiliser un cordon électrique endommagé. Si le cordon électrique est endommagé, son remplacement doit être effectué par un technicien en réparation qualifié au moyen d'un cordon de rechange autorisé par le fabricant.

Lorsque vous éloignez votre réfrigérateur du mur, faites attention à ne pas le faire rouler sur le cordon d'alimentation afin de ne pas l'endommager.

### MISE AU REBUT APPROPRIÉE DE VOTRE ANCIEN RÉFRIGÉRATEUR

#### ⚠ AVERTISSEMENT

#### RISQUE DE SUFFOQUER OU D'Y ÊTRE EMPRISONNÉ

Le non-respect de ces instructions d'élimination peut entraîner la mort ou des blessures graves.

**IMPORTANT:** Les enfants pris au piège ou morts d'asphyxie sont toujours d'actualité. Les réfrigérateurs et congélateurs abandonnés sont toujours aussi dangereux, même si on n'attend que «quelques jours» pour s'en débarrasser. Si vous ne gardez pas votre ancien réfrigérateur ou congélateur, veuillez suivre les directives ci-dessous afin de prévenir les accidents.

**Avant de vous débarrasser de votre ancien appareil :**

- Démontez les portes du compartiment de réfrigération et du compartiment de congélation.
- Laissez les clayettes en place afin d'empêcher les enfants de grimper à l'intérieur.

#### Mise au rebut des produits réfrigérants et en mousse

Mettez l'électroménager au rebut conformément à la réglementation fédérale et locale. Les réfrigérants inflammables et les matériaux d'isolation utilisés nécessitent des procédures d'élimination spéciales. Communiquez avec les autorités locales pour connaître la façon de mettre votre électroménager au rebut qui soit respectueuse de l'environnement.

## LIRE ET CONSERVER CES INSTRUCTIONS



# INFORMATION DE SÉCURITÉ IMPORTANTES

## LISEZ TOUTES LES DIRECTIVES AVANT D'UTILISER L'APPAREIL

### ⚠ AVERTISSEMENT



### RISQUE D'INCENDIE OU D'EXPLOSION Réfrigérant inflammable

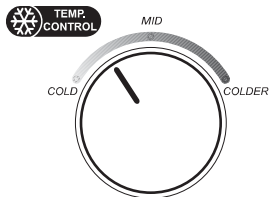
Cet appareil contient un gaz réfrigérant avec isobutane aussi connu sous R600a, un gaz naturel à compatibilité élevée avec l'environnement. Il s'agit cependant d'un combustible. Observez les consignes de sécurité ci-dessous afin de réduire le risque de blessure ou de dommage à la propriété.

1. Lors de la manipulation, de l'installation et de l'utilisation de cet appareil, prenez soin de ne pas endommager la tubulure du réfrigérant.
2. L'entretien ou la réparation doivent être effectués par un personnel de service autorisé. Utilisez seulement des pièces de rechange autorisées par le fabricant.
3. Mettez le réfrigérateur au rebut conformément aux réglementations fédérales et locales. Le gaz réfrigérant inflammable et les matériaux d'isolation utilisés dans ce produit requièrent des procédures de mise au rebut spéciales. Communiquez avec les autorités locales compétentes pour la mise au rebut de votre réfrigérateur sans danger pour l'environnement.
4. N'obstruez pas les orifices de ventilation dans les enceintes ou la structure d'encastrement de l'appareil.
5. Pour enlever le givre, grattez à l'aide d'un grattoir ou d'une spatule en plastique ou en bois. N'utilisez pas de pic à glace ou un instrument métallique à bord tranchant pour éviter de perforer la cuve interne du congélateur et la tubulure du gaz réfrigérant derrière cette dernière.
6. N'utilisez pas d'appareils électriques dans le compartiment de rangement des aliments de cet appareil.
7. N'utilisez aucun appareil électrique pour dégivrer votre congélateur.

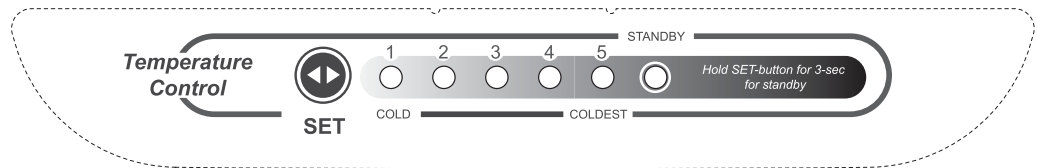
## LIRE ET CONSERVER CES INSTRUCTIONS

## Commandes

Les compartiments de réfrigération et de congélation sont équipés d'une commande de température. Effectuez le réglage de commande selon les réglages normaux recommandés pour les compartiments du réfrigérateur et du congélateur. Attendez 24 heures pour que la température se stabilise.



Commande de température du congélateur



Commande de température du réfrigérateur

1 est froid  
5 est le plus froid

### Réglages de commande

#### Commande du réfrigérateur

À la première mise en marche, tous les témoins s'allument pendant 3 secondes.

Le réglage de 3 effectué en usine s'affiche pendant 3 secondes.

Pour modifier le réglage, appuyez sur la touche SET (réglage). Chaque enfoncement augmente de 1. Appuyez jusqu'à ce que vous obteniez le réglage désiré. Modifiez les commandes par 1 incrément à la fois pour déterminer votre réglage favori. Attendez 12 heures après chaque modification pour que le réfrigérateur atteigne la température réglée. Le réglage 1 est le moins froid alors que le réglage 5 est le plus froid.

#### Mode de veille

Pendant que le réfrigérateur est en marche, appuyez sur SET (réglage) pendant 3 secondes pour que le réfrigérateur passe en mode de veille; le témoin de veille s'allumera.

Le réglage de veille arrêtera le refroidissement des compartiments de réfrigération et de congélation, mais ne mettra pas l'alimentation électrique du réfrigérateur hors tension.

Retournez au fonctionnement normal en appuyant sur le bouton SET (réglage); le témoin de veille s'éteindra et retournera au dernier réglage.

Après chaque modification, vérifiez les compartiments du congélateur et du réfrigérateur. La modification de commande de réfrigération influencera la température du compartiment de congélation. De la même manière, la modification du réglage de commande du congélateur influencera la température du compartiment de réfrigération.

Les réglages de commande varieront selon les préférences personnelles, l'utilisation et les conditions de fonctionnement et peuvent demander plus d'une modification. Les facteurs influençant la température comprennent la quantité d'aliments dans les compartiments de réfrigération et de congélation, la fréquence d'ouverture de porte, la température des aliments au moment du stockage dans chaque compartiment.

# Les clayettes et les bacs

Tous les modèles n'ont pas toutes ces caractéristiques.

## Disposition des clayettes

Les clayettes du compartiment réfrigération et du compartiment congélation sont réglables.

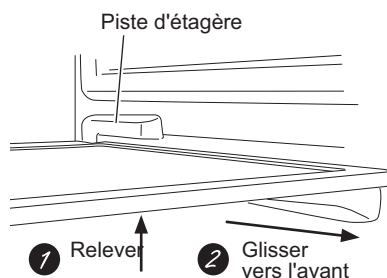
### COMPARTIMENT RÉFRIGÉRATION

#### Clayettes pleine largeur

La clayette repose sur un support latéral moulé et se verrouille dans une butée sur la paroi arrière de chaque côté.

#### Enlèvement :

1. Soulevez la clayette jusque dans le haut la butée.
2. Glissez la clayette vers l'avant le long de la butée.
3. Tirez la clayette hors de l'appareil.



#### Remise en place :

Inversez les étapes d'enlèvement ci-dessus.

### ATTENTION

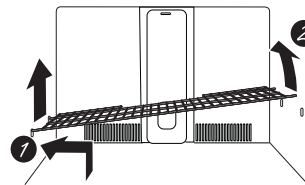
Ne nettoyez pas les clayettes ou couvercles en verre avec de l'eau chaude lorsqu'ils sont froids. Les clayettes et couvercles en verre peuvent se briser s'ils sont exposés à une variation de température soudaine, ou soumis à un impact s'ils sont heurtés ou échappés. S'il se brise, le verre trempé est conçu pour se fracturer en un grand nombre de petits éclats.

Ne lavez aucune pièce en plastique du réfrigérateur au lave-vaisselle.

### COMPARTIMENT CONGÉLATION

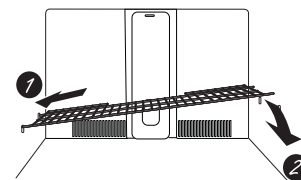
#### Pour enlever :

1. Soulevez les deux côtés de la clayette et glissez-la à gauche dans le centre des supports.
2. Faites tourner le côté droit de la clayette vers le haut et faites-le sortir des soutiens de clayette.



#### Pour remettre en place :

1. En maintenant la clayette en diagonale, insérez son extrémité gauche dans le haut des supports sur la paroi latérale.
2. Insérez l'extrémité droite de la clayette dans les soutiens de la clayette sur la paroi de côté. Faites reposer chaque extrémité de la clayette en bas des soutiens de clayette.

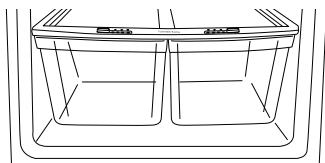


## Bacs à légumes et à casse-croûte

Tous les modèles n'ont pas toutes ces caractéristiques.

### Bacs à fruits et légumes

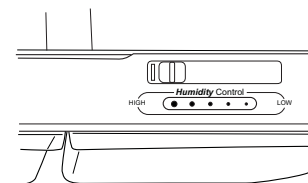
Vous devez bien essuyer toute eau en excès qui peut s'accumuler au fond des bacs ou en dessous des bacs.



### Bac à légumes à humidité réglable

Glissez la commande tout le long jusqu'au réglage High (Haute) afin d'obtenir le degré d'humidité élevé recommandé pour la plupart des légumes.

Glissez la commande tout le long jusqu'au réglage Low (Bas) afin d'obtenir des degrés d'humidité moins élevés, recommandés pour la plupart des fruits.



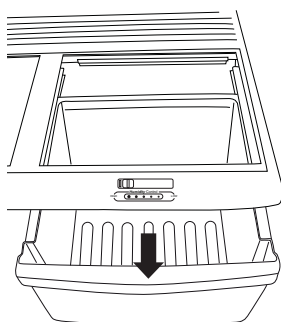
### RETRAIT DES BACS

Videz la clayette inférieure avant d'essayer d'enlever les bacs de rangement.

#### Pour enlever :

Soulevez les bacs légèrement vers le haut tout en les tirant au delà de leur position d'arrêt.

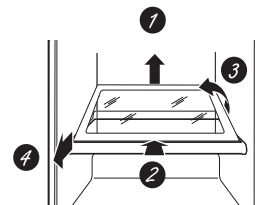
Si la porte vous empêche d'enlever les tiroirs, essayez d'abord d'enlever les bacs à porte. Si la porte n'offre pas assez d'espace libre, vous devez rouler le réfrigérateur vers l'avant jusqu'à ce que la porte s'ouvre suffisamment pour vous permettre d'enlever les tiroirs. Parfois, pour faire sortir le réfrigérateur, vous devez le faire aller vers la gauche ou vers la droite en le roulant.



#### Pour enlever le couvercle en verre :

Enlevez le verre, puis le cadre. Quand vous remettez en place le verre, poussez l'arête devant fort dans le cadre.

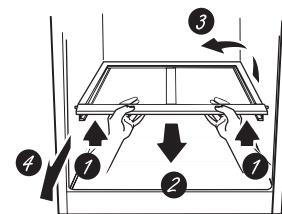
1. Poussez le couvercle en verre vers le haut arrière.
2. Faites glisser le couvercle en verre en arrière jusqu'à ce que l'arête devant sorte du cadre.
3. Faites tourner le côté du couvercle en verre vers le haut.
4. Enlevez le couvercle en verre.



Pour enlever le couvercle en verre

#### Pour enlever le cadre :

1. Soulevez l'avant du cadre vers le haut en le tenant à deux mains.
2. Faites glisser le cadre vers l'avant.
3. Faites tourner le cadre vers le haut.
4. Enlevez le cadre.



Pour enlever le cadre

# Soins et nettoyage

## Nettoyage de l'extérieur

Les poignées de porte et les garnitures. Nettoyez avec un linge trempé dans de l'eau savonneuse. Séchez avec un linge doux.

Conservez l'extérieur propre. Essuyez avec un linge propre légèrement humecté de cire à appareil électroménager ou de détergent liquide à vaisselle doux. Séchez et polissez avec un linge doux, propre.

Vous pouvez nettoyer les panneaux et les poignées de porte en acier inoxydable (sur certains modèles) avec un nettoyant d'acier inoxydable vendu sur le marché.

Les nettoyants qui contiennent de l'acide oxalique (p.ex. Bar Keepers Friend Soft Cleanser) élimineront la rouille, la ternissure et les petites taches. Utilisez uniquement un nettoyant liquide exempt d'abrasif et frottez dans la direction des lignes de brosse à l'aide d'une éponge douce humide.

N'utilisez pas de cire pour appareils ménagers sur l'acier inoxydable.

N'essuyez jamais votre réfrigérateur avec un torchon sale ou une serviette mouillée. Cela peut laisser un résidu qui risque d'endommager la peinture. N'utilisez jamais de tampon à recurer, de nettoyant en poudre, d'eau de javel ou de produit nettoyant contenant un agent de blanchiment, car ces produits peuvent rayer et endommager la peinture.

## Nettoyage de l'intérieur

**Pour aider à empêcher les odeurs, laissez une boîte ouverte de bicarbonate de soude dans les compartiments réfrigération et congélation.**

**Débranchez votre réfrigérateur avant de le nettoyer.**

Si ce n'est pas pratique, enlevez toute humidité au moyen d'une éponge ou d'un chiffon pour nettoyer autour des commutateurs, des lumières ou des réglages.

**Utilisez une solution d'eau chaude et de bicarbonate de soude 15 ml (soit une cuillère à soupe environ) de bicarbonate de soude dans 1 litre (soit une pinte) d'eau.**

Cette solution nettoie tout en neutralisant les odeurs. Rincez et séchez en essuyant.

Ne nettoyez pas avec des produits qui contiennent un détergent, un javellisant ou de l'ammoniac. Ils pourraient endommager votre réfrigérateur.

Après le nettoyage des joints d'étanchéité de porte, appliquez une mince couche de gelée de pétrole sur les joints d'étanchéité du côté charnière. Cette mesure empêchera les joints de coller ou de se déformer.

**ATTENTION** Ne nettoyez pas les tablettes ou les couvercles en verre avec de l'eau tiède quand ceux-ci sont froids. Les tablettes et couvercles en verre peuvent se casser s'ils sont exposés à des changements soudains de température ou si vous les cognez ou les faites tomber. Le verre trempé est conçu pour se briser en petits morceaux en cas de casse.

Ne lavez aucune pièce en matière plastique de votre réfrigérateur dans votre machine à laver la vaisselle.

## Le condenseur

Selon le modèle, le condenseur est situé soit près du compresseur, soit derrière le mur arrière. S'il est près du compresseur, vous n'avez pas besoin de nettoyer souvent le condenseur en milieu domestique normal. Cependant, en milieu particulièrement gras ou poussiéreux, vous devez nettoyer périodiquement le condenseur pour obtenir un fonctionnement efficace de votre réfrigérateur.

**Nettoyage du condenseur :**

Époussetez ou enlevez à l'aide d'un aspirateur toute la poussière.

**AVERTISSEMENT** Pour réduire le risque de décès ou de choc électrique, vous devez observer ces directives :

- Débranchez le réfrigérateur avant de retirer tout panneau.
- Ne touchez ni n'endommagez le câblage lors du retrait du panneau.
- Remplacez toutes les pièces et les panneaux avant de rebrancher le réfrigérateur.

## Soins et nettoyage

### Déplacement du réfrigérateur

Soyez prudent lorsque vous éloignez le réfrigérateur du mur. Tous les types de recouvrements de plancher peuvent être endommagés, en particulier les revêtements coussinés ou dont la surface est gaufrée.

Tournez les pieds de nivellement situés dans les coins avant dans le sens inverse des aiguilles d'une montre jusqu'à ce que les roulettes supportent le réfrigérateur. Tirez le réfrigérateur en ligne droite et remettez-le en place en poussant en ligne droite.

Vous pouvez endommager le revêtement de plancher ou votre réfrigérateur en le déplaçant latéralement.

#### **⚠ AVERTISSEMENT** **RISQUE D'EXPLOSION**

Lorsque vous remettez en place votre réfrigérateur, assurez-vous de ne pas le rouler sur le cordon d'alimentation.

Une fois le réfrigérateur roulé en place, tournez les pieds dans le sens des aiguilles jusqu'à ce qu'ils supportent aussi le poids du réfrigérateur.

### Préparation de départ en vacances

Pour de longues vacances ou absences, enlevez tous vos aliments et débranchez votre réfrigérateur. Mettez le bouton de réglage du compartiment congélation en position OFF (arrêt) et

nettoyez l'intérieur avec une solution de bicarbonate de soude, de 15 ml (une cuillère à soupe) de bicarbonate de soude pour 1 litre (une pinte) d'eau. Laissez les portes ouvertes.

### Préparation de déménagement

Fixez en place toutes les pièces mobiles, comme la grille, les clayettes et les tiroirs, à l'aide de ruban adhésif, pour empêcher tout dommage. À l'aide de ruban adhésif, fixez les portes sur la carrosserie pour empêcher les portes de s'ouvrir lors d'un déménagement.

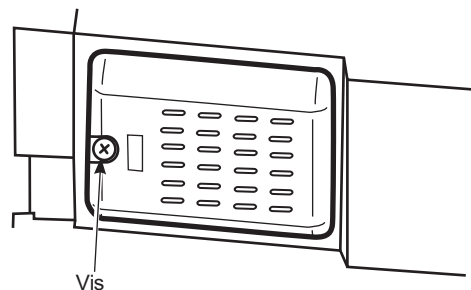
Assurez-vous que votre réfrigérateur soit en position droite pendant le déménagement.

### Remplacement de l'ampoule électrique

**⚠ AVERTISSEMENT**  **Risque de choc électrique.**  
Débranchez le réfrigérateur de remplacer l'ampoule.

Mettez la commande du réfrigérateur à OFF (Arrêt) ne coupe pas l'alimentation du circuit de la lampe.

1. Débranchez le réfrigérateur.
2. Retirez la clayette supérieure (si nécessaire).
3. L'ampoule est située derrière une lentille de lampe dans le plafond du compartiment réfrigérateur. Enlevez la lentille en retirant la seule vis à l'aide d'un tournevis cruciforme.
4. Remplacez l'ampoule par une ampoule d'appareil électroménager de même voltage ou d'un voltage plus bas.
5. Remplacez la lentille de lampe.
6. Rebranchez le réfrigérateur.



# Instructions d'installation

## Réfrigérateur Modèle GTE18M

Des Questions ? Appelez 800.GE.CARES (800.432.2737) ou consultez notre site internet : [GEAppliances.com](http://GEAppliances.com)  
Au Canada, appelez le 1.800.561.3344 ou consultez notre site internet : [electromenagersge.ca](http://electromenagersge.ca)

### AVANT DE COMMENCER

Veuillez lire toutes les directives attentivement.

- **IMPORTANT** – Conservez ces instructions pour l'inspecteur local.
- **IMPORTANT** – Respectez toutes les ordonnances et les codes locaux.
- **Note à l'installateur** – Assurez-vous de laisser ces instructions au consommateur.
- **Note au consommateur** – Conservez ces instructions pour référence future.
- **Niveau de compétence** – L'installation de cet appareil nécessite des compétences mécaniques de base.
- **Temps d'installation** – Installation du réfrigérateur 15 minutes. Inversion du sens d'ouverture de porte – 15 minutes.
- L'installateur est responsable de bien installer ce réfrigérateur.
- Toute panne du produit due à une mauvaise installation n'est pas couverte par la garantie.

### SPÉCIFICATIONS D'EMPLACEMENT

- N'installez pas le réfrigérateur dans une pièce où les températures descendent en-dessous de 60°F (16°C) parce qu'il serait difficile d'y maintenir une température correcte.
- N'installez pas le réfrigérateur dans un endroit où la température ambiante sera supérieure à 37°C, il ne fonctionnera pas correctement.
- N'installez pas le réfrigérateur dans un endroit exposé à l'eau (pluie, etc.) ou directement aux rayons solaires.
- Installez le réfrigérateur sur un plancher suffisamment solide pour le supporter à pleine charge.

### DÉGAGEMENTS

Prévoyez les dégagements suivants pour faciliter l'installation, la bonne circulation d'air et les raccordements de plomberie et d'électricité.

Côtés 3 mm (1/8")

Dessus 25 mm (1")

Arrière 25 mm (1")

Si un côté ou l'autre de votre réfrigérateur est contre un mur, laissez 8 mm (5/16") de dégagement pour permettre une bonne ouverture de la porte.

### ROULETTES ET PIEDS DE NIVELLEMENT

Les pieds de nivellement dans les coins avant du réfrigérateur sont ajustables. Ils campent fermement le réfrigérateur et empêchent son déplacement lorsque les portes sont ouvertes.

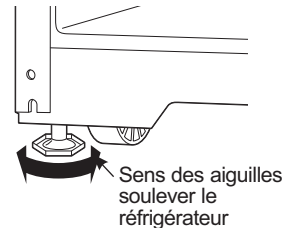
Les pieds de nivellement doivent être ajustés de façon que l'avant du réfrigérateur soit soulevé juste assez pour que les portes se ferment aisément lorsqu'ouvertes à mi-parcours.

Tournez les pieds de nivellement dans le sens des aiguilles d'une montre pour soulever le réfrigérateur, dans le sens contraire pour l'abaisser.

Les roulettes à proximité des pieds de nivellement permettent d'éloigner le réfrigérateur du mur lors du nettoyage.

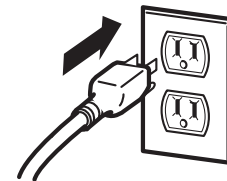
Tournez les pieds dans le sens contraire des aiguilles jusqu'à ce que le poids du réfrigérateur soit transféré sur les roulettes. Une fois le réfrigérateur roulé à sa place, tournez les pieds dans le sens des aiguilles jusqu'à ce

qu'ils supportent à nouveau le poids du réfrigérateur.



### BRANCHEZ VOTRE RÉFRIGÉRATEUR

Branchez le cordon du réfrigérateur dans la prise.

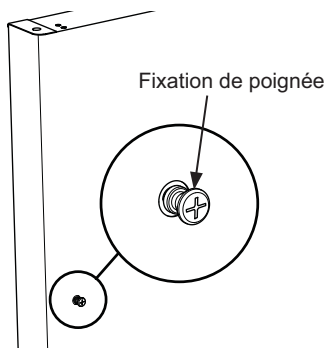


# Instructions d'installation

## INSTALLATION DE LA POIGNÉE DE PORTE

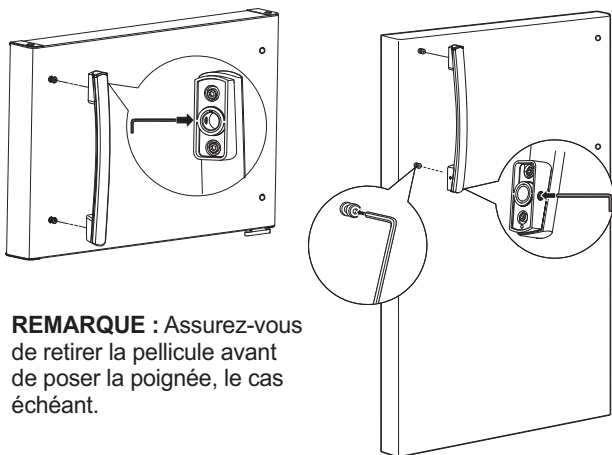
### 1 FIXATIONS DE LA POIGNÉE

1. Si vous devez inverser l'ouverture de la porte, consultez le chapitre « Inversion du sens d'ouverture de porte ».
2. Installez les fixations de la poignée avec un tournevis à tête cruciforme dans les trous des portes du congélateur et du réfrigérateur.



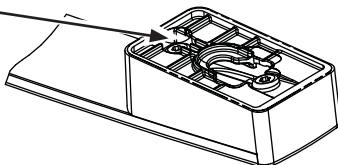
### 2 INSTALLATION DE LA POIGNÉE

1. Fixez chaque poignée aux fixations de la poignée de porte avec les vis de serrage en utilisant une clé hexagonale de 3 mm (1/8 po).
2. Serrez les vis de serrage au-dessus et sous chaque poignée. REMARQUE : Évitez le serrage excessif.



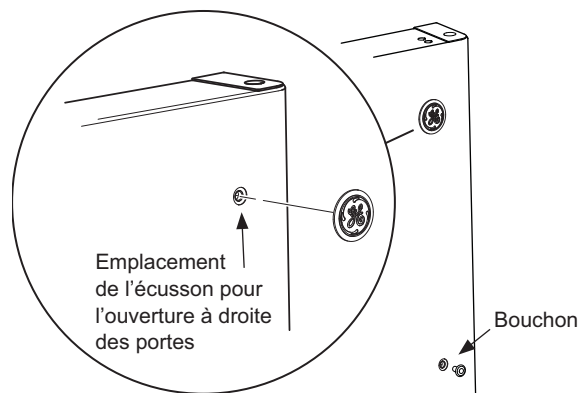
#### Pour poignées en acier inoxydable seulement

Ne retirez pas la pellicule qui recouvre la surface de contact de la porte illustrée sur la photo. Cette pellicule protège la surface de la porte contre le contact direct avec la poignée.



### 3 INSTALLATION DE L'ÉCUSSON ET DU BOUCHON SUR LA PORTE DU CONGÉLATEUR

1. Retirez le capuchon du dessus, trou non utilisé pour le montage de la poignée.
2. Trouvez l'écusson de GE Appliances dans le bac à légumes et déballez-le.
3. Orientez doucement l'écusson à sa place et apposez-le sur le trou supérieur de poignée inutilisé du congélateur.





# Instructions d'installation

## INVERSION DU SENS D'OUVERTURE DES PORTES

### ⚠ AVERTISSEMENT

Suivez toutes les étapes lors du changement d'ouverture de la porte. La porte risque de tomber en plus de causer des blessures ou des dommages si vous ne respectez pas ces instructions, oubliez des pièces ou effectuez un serrage excessif des vis.

### NOTES IMPORTANTES

Pour inverser le sens d'ouverture des portes :

- Lisez toutes les directives avant de commencer.
- Manipulez les pièces avec précaution pour éviter de rayer la peinture.
- Posez les vis à côté des pièces correspondantes pour ne pas les utiliser aux mauvais endroits.
- Posez les portes sur un plan de travail qui ne risque pas de rayer la peinture.

**IMPORTANT :** Une fois commencée votre inversion du sens d'ouverture des portes, ne déplacez jamais votre réfrigérateur avant d'avoir terminé.

Ces directives s'appliquent à l'inversion des charnières du côté droit au côté gauche. Si vous voulez remettre les charnières à droite, suivez les mêmes directives en inversant toutes les références aux côtés gauche et droit.

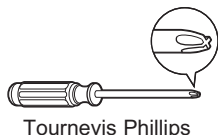
Débranchez votre réfrigérateur de sa prise électrique.

**NOTE:** Ne laissez tomber aucune porte sur le plancher. Sinon, cela risque d'endommager la butée de porte.

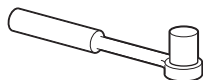
### ⚠ ATTENTION Portes lourdes

Les portes des compartiments réfrigérateur et congélateur sont lourdes. Utilisez les deux mains pour immobiliser les portes avant le soulèvement.

### OUTILS REQUIS



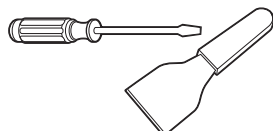
Tournevis Phillips



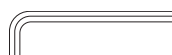
Clé à cliquet et douille de 5/16 po



Ruban-cache



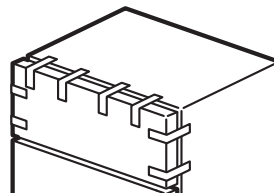
Couteau à mastiquer ou tournevis à lame mince



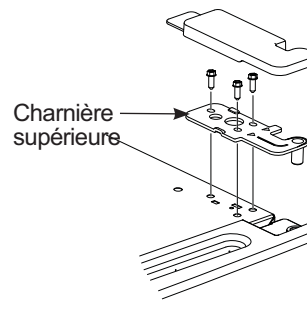
Clé hexagonale (3 mm [1/8 po] pour toutes les poignées)

### 1 ENLEVEZ LA PORTE DU COMPARTIMENT CONGÉLATION

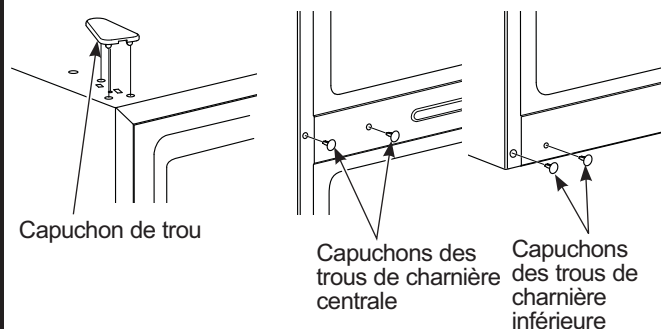
1. Enlevez tous les aliments sur l'intérieur de la porte.
2. Attachez la porte à l'aide de ruban-cache.



3. Enlevez le couvercle de charnière dans le haut de la porte congélateur à l'aide d'un tournevis à lame mince.
4. Enlevez les trois vis avec une clé à cliquet et une douille de 5/16 po, puis soulevez la charnière droit vers le haut, pour libérer l'axe de charnière du culot qui se trouve en haut de la porte.



5. Enlevez le ruban-cache et faites basculer la porte en l'écartant de l'armoire. Soulevez-la pour l'enlever de l'axe de la charnière centrale.
6. À l'aide d'un couteau à mastiquer, enlevez les capuchons des trous du côté opposé des trois charnières.



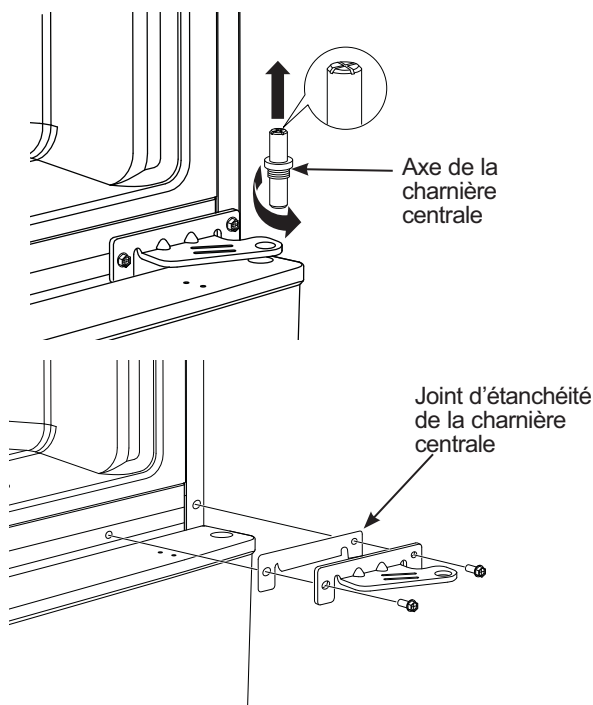
7. Posez la porte sur une surface qui ne rayer pas, l'intérieur vers le haut.

## Instructions d'installation

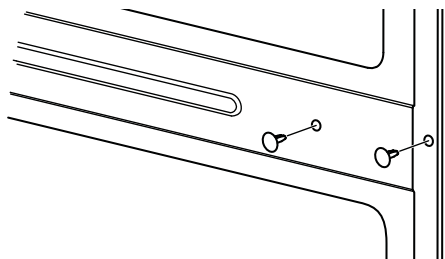
## INVERSION DU SENS D'OUVERTURE DES PORTES (SUITE)

**2 ENLEVEZ LA PORTE DU COMPARTIMENT RÉFRIGÉRATION**

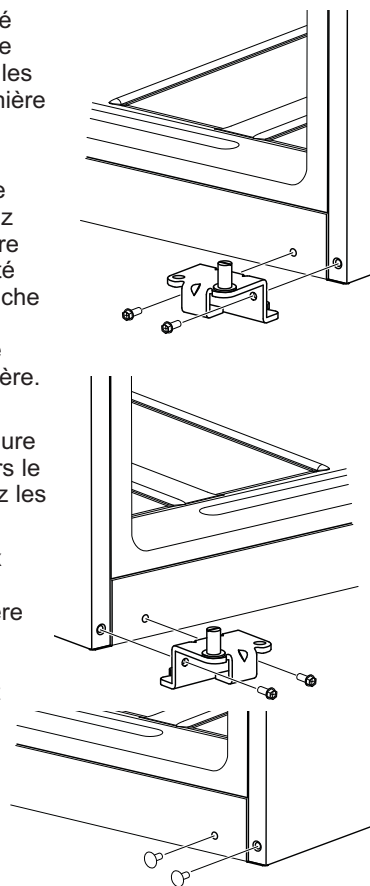
1. Enlevez tous les aliments sur l'intérieur de la porte.
2. Fermez la porte et attachez-la à l'aide de ruban-cache.
3. Enlevez l'axe de la charnière centrale à l'aide d'un tournevis à pointe cruciforme.
4. Enlevez la charnière du centre en enlevant deux vis de la charnière à l'aide d'une clé à cliquet et une douille de 5/16 po. Conservez la charnière centrale, son axe, ses vis et son joint d'étanchéité.



5. Enlevez le ruban-cache et faites basculer la porte en l'écartant de l'armoire. Soulevez la porte droit vers le haut pour la libérer sa charnière inférieure de son axe situé dans le support de charnière inférieure.
6. Posez la porte sur une surface qui ne raye pas, l'intérieur vers le haut.
7. Prenez les deux bouchons pour trous de charnière centrale sur le côté opposé de la carrosserie et posez-les dans les trous de vis libérés par l'enlèvement de la charnière centrale.

**3 TRANSFÉREZ LA CHARNIÈRE INFÉRIEURE SUR LA GAUCHE**

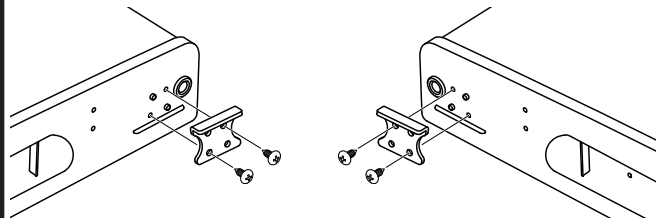
1. À l'aide d'une clé à cliquet et d'une douille, enlevez les 2 vis de la charnière du bas.
2. À l'aide d'un tournevis à lame mince, transférez l'axe de charnière inférieure du côté droit vers le gauche jusqu'à ce que l'épaule de l'axe touche la charnière.
3. Transférez la charnière inférieure du côté droit vers le gauche et serrez les deux vis.
4. Prenez les deux bouchons pour trous de charnière inférieure sur le côté opposé de la carrosserie et posez-les dans les trous de vis libérés par l'enlèvement de la charnière inférieure.

**⚠ AVERTISSEMENT**

Suivez toutes les étapes lors du changement d'ouverture de la porte. La porte risque de tomber en plus de causer des blessures ou des dommages si vous ne respectez pas ces instructions, oubliez des pièces ou effectuez un serrage excessif des vis.

**4 TRANSFÉREZ LA BUTÉE DE PORTE SUR LA GAUCHE**

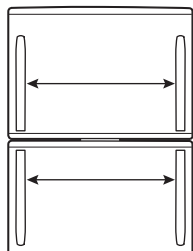
1. Sur les portes des compartiments réfrigérateur et congélateur, enlevez les vis de la butée de porte du côté droit à l'aide d'un tournevis à pointe étoilée.
2. Posez la butée de porte sur le côté gauche de chaque porte.



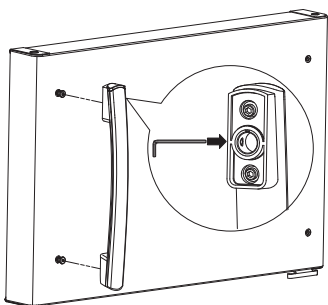
# Instructions d'installation

## INVERSION DU SENS D'OUVERTURE DES PORTES (SUITE)

### 5 CHANGEMENT DE CÔTÉ DES POIGNÉES DE PORTE – TRANSFERT DE LA POIGNÉE DE COMPARTIMENT CONGÉLATION AU CÔTÉ DROIT DE LA PORTE DU COMPARTIMENT CONGÉLATION



1. Dévissez la vis de serrage de la poignée avec une clé hexagonale de 3 mm (1/8 po) pour retirer la poignée.



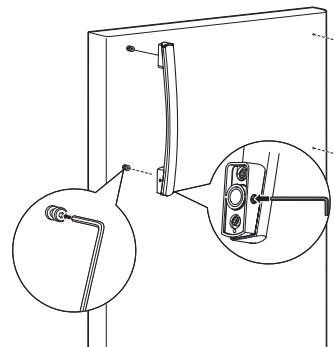
2. Enlevez la fixation de la surface de la porte congélateur.
3. Retirez les capuchons (et l'écusson GE le cas échéant) de la surface à la droite de la porte du congélateur et insérez les fixations avec un tournevis à tête cruciforme.
4. Fixez la poignée de la porte congélation à l'aide des vis de la le haut de la poignée. Utilisez la clé hexagonale 1/8 po pour serrer la vis de pression dans le bas de la poignée.

**NOTE :** Ne serrez pas trop fort.

5. Insérez le capuchon dans le trou inférieur de la poignée.
6. Insérez l'écusson GE sur le trou supérieur inutilisé de la porte.

### 5 CHANGEMENT DE CÔTÉ DES POIGNÉES DE PORTE – TRANSFERT DE LA POIGNÉE DE COMPARTIMENT RÉFRIGÉRATEUR AU CÔTÉ DROIT DE LA PORTE DU COMPARTIMENT RÉFRIGÉRATION

6. Dévissez la vis de serrage de la poignée avec une clé hexagonale de 3 mm (1/8 po) pour retirer la poignée.



7. Enlevez la fixation de la surface de la porte réfrigérateur.
8. Enlevez les bouchons de la surface du côté droit de la porte réfrigérateur et insérez la fixation à l'aide d'un tournevis à pointe cruciforme.

9. Fixez la poignée de la porte réfrigérateur à l'aide des vis de la le haut de la poignée. Utilisez la clé hexagonale 1/8 po pour serrer la vis de pression dans le bas de la poignée.

**NOTE :** Ne serrez pas trop fort.

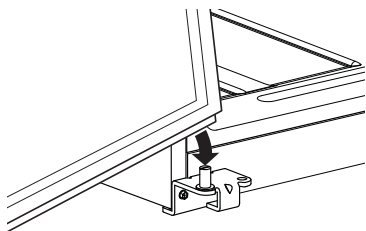
10. Insérez les bouchons dans les autres trous.

## Instructions d'installation

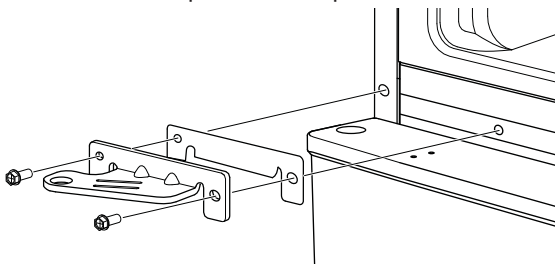
## INVERSION DU SENS D'OUVERTURE DES PORTES (SUITE)

**6 RACCROCHEMENT DE LA PORTE RÉFRIGÉRATEUR**

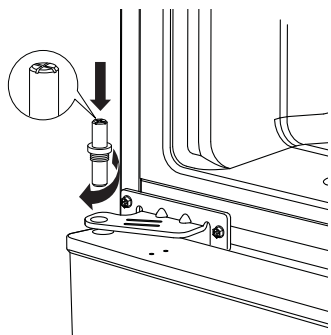
1. Faites descendre la porte du compartiment réfrigération sur l'axe de la charnière inférieure.



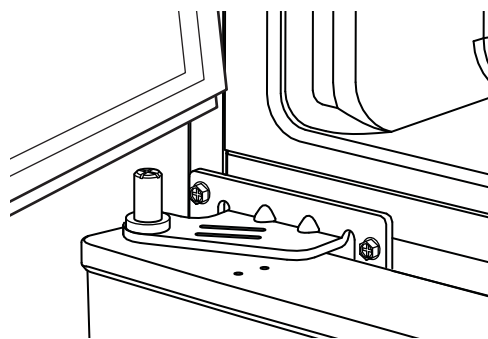
2. Tout en tenant la porte fermement, alignez le logement dans la porte sur le trou dans la charnière centrale. Fixez la charnière centrale et son joint d'étanchéité à l'aide de deux vis, d'une douille 5/16 po et d'un cliquet.



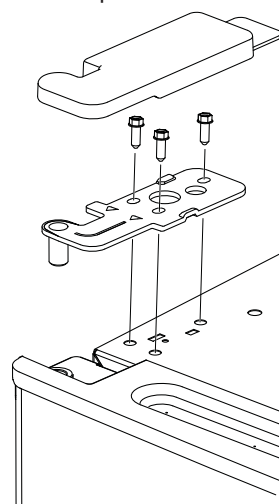
3. Vérifiez le bon alignement entre le logement de la porte et le trou dans la charnière centrale. Insérez l'axe de charnière dans la charnière centrale et serrez à l'aide d'un tournevis à pointe cruciforme jusqu'à ce que l'épaulement de l'axe touche la charnière.

**7 RACCROCHEMENT DE LA PORTE CONGÉLATEUR**

1. Faites descendre la porte du compartiment congélation sur l'axe de la charnière centrale.





2. Placez la charnière supérieure gauche de façon que l'axe pénètre dans le logement de porte. (La charnière supérieure gauche et son couvercle se trouvent à l'intérieur du produit. Contactez le service GE Appliances au 800.561.3344 si des pièces sont manquantes.) Soutenez la porte du côté de la poignée et assurez-vous que la porte est bien droite et que l'écart entre les portes est régulier sur toute sa longueur à l'avant. En tenant la porte en place, serrez les vis de la charnière supérieure. Ne serrez pas ces vis excessivement. Serrez-les jusqu'au bout, puis d'un autre demi-tour.
3. Posez le couvercle de la charnière supérieure gauche en le pressant d'un coup sec.



# Bruits normaux de fonctionnement

Les réfrigérateurs plus récents font des bruits différents de ceux des anciens. Les réfrigérateurs modernes présentent plus de fonctions et sont plus avancés sur le plan technologique.

**Entendez-vous ce que j'entends ? Ces bruits sont normaux.**

<p style="text-align: center;"><b>HUMMM... OUUCH...</b></p> <ul style="list-style-type: none"> <li>■ Le nouveau compresseur à rendement élevé peut fonctionner plus longtemps et plus vite que votre ancien réfrigérateur et vous pouvez entendre un son modulé ou un ronflement aigu pendant son fonctionnement.</li> <li>■ Vous pouvez entendre un sifflement lorsque les portes se ferment. Cela vient de l'équilibrage de pression dans le réfrigérateur.</li> </ul>	<p style="text-align: center;"><b>OUIR !</b></p>  <ul style="list-style-type: none"> <li>■ Vous pouvez entendre les ventilateurs tourner à hautes vitesses. Cela se produit lorsque le réfrigérateur vient d'être branché, lorsque les portes sont ouvertes fréquemment ou lors de l'ajout d'une grande quantité d'aliments dans les compartiments congélateur ou réfrigérateur. Les ventilateurs permettent de maintenir les bonnes températures.</li> </ul>
<p style="text-align: center;"><b>CLICS, CLAQUEMENTS, CRAQUEMENTS et GRÉSILLEMENTS</b></p> <ul style="list-style-type: none"> <li>■ Vous pouvez entendre des craquements ou des claquements lorsque le réfrigérateur est branché pour la première fois. Cela se produit lorsque le réfrigérateur se refroidit à la bonne température.</li> <li>■ Le compresseur peut causer un clic ou un grésillement lors de la tentative de redémarrage (cela peut prendre 5 minutes).</li> <li>■ L'expansion et la contraction des serpentins de refroidissement pendant et après le dégivrage peuvent causer un craquement ou un claquement.</li> </ul>	<p style="text-align: center;"><b>WATER SOUNDS</b></p>  <ul style="list-style-type: none"> <li>■ Le passage de l'agent frigorigène dans les serpentins de refroidissement du congélateur peut être accompagné d'un gargouillement semblable à celui de l'eau en ébullition.</li> <li>■ L'eau tombant sur l'élément chauffant de dégivrage peut faire un bruit de grésillement, de claquement ou de bourdonnement pendant le cycle de dégivrage.</li> <li>■ Un bruit de suintement d'eau peut être entendu pendant le cycle de dégivrage lorsque la glace de l'évaporateur fond et tombe dans le bac de récupération.</li> <li>■ Fermer la porte peut causer un gargouillement en raison de l'équilibrage de pression.</li> </ul>

## Conseils de dépannage... Avant de faire un appel de service

Économisez temps et argent! Consultez d'abord les tableaux des pages suivantes et vous pourriez vous éviter un appel de service. Au besoin, vous pouvez programmer un appel de service en nous visitant sur [GEAppliances.com](http://GEAppliances.com) ou en composant le 800.GECARES 800.432.2737. Au Canada, visitez [electromenagersge.ca](http://electromenagersge.ca) ou composez le 800.561.3344.

Problème	Causes possibles	Solutions
La lumière de compartiment réfrigération ne s'allume pas	Pas d'électricité à la prise.	Remplacez le fusible ou remettez en marche le disjoncteur.
	L'ampoule a brûlé ou elle n'est pas vissée à fond.	Consultez Remplacement des ampoules électriques.
De l'air chaud souffle du bas du réfrigérateur normales et pas dangereuses.	C'est normal. Le moteur se refroidit à l'air. Dans le processus de réfrigération il est normal que de la chaleur soit émise en bas du réfrigérateur. Certains revêtements de sol sont sensibles et changent de couleur à ces températures	
Les aliments gèlent dans le compartiment réfrigération.	Les aliments sont trop près de l'ouverture de circulation d'air à l'arrière du compartiment réfrigération.	Éloignez les aliments de l'ouverture de circulation d'air (près des réglages).
	Le réglage de votre réfrigérateur est trop froid.	Réglez votre réfrigérateur à une température plus chaude en sélectionnant une graduation à la fois.
Il y a une lueur orangée dans le compartiment congélation	Le chauffage du dégivrage fonctionne.	C'est normal.
Les bacs ne peuvent se placer dans la porte	Les bacs de porte du compartiment congélation n'ont pas les mêmes dimensions que ceux du compartiment réfrigération.	Essayez les bacs sur les deux portes.

## Conseils de dépannage... Avant de faire un appel de service

Problème	Causes possibles	Solutions
La porte du compartiment congélation s'ouvre instantanément lorsque la porte du compartiment réfrigération se referme	Ce phénomène est normal si la porte du compartiment congélation se referme d'elle-même à la suite de son ouverture.	Cela indique que le joint d'étanchéité du compartiment congélation est en bon état. Si la porte du compartiment congélation ne se referme pas automatiquement à la suite de son ouverture, les roulettes ont besoin d'être ajustées. Consultez Roulettes et pieds d'inclinaison.
La porte ne se ferme pas seule	Les pieds d'inclinaison doivent être ajustés.	Consultez Roulettes et pieds d'inclinaison.
Votre réfrigérateur ne fonctionne pas	Votre réfrigérateur se trouve dans son cycle de dégivrage.	Attendez environ 40 minutes la fin du dégivrage.
	L'un des boutons ou les deux boutons de réglage de température sont en position 1 (arrêt).	Tournez les boutons de réglage de température du compartiment réfrigération et du compartiment congélation en position plus élevée.
	Le réfrigérateur est débranché.	Poussez la fiche complètement dans la prise murale.
	Le fusible a sauté ou le disjoncteur a sauté.	Changez le fusible ou rebranchez le disjoncteur.
Vibrations ou bruits de casse (une petite vibration est normale)	Le réfrigérateur ne se pose pas bien sur les quatre roulettes.	Régalez les pieds d'inclinaison (Consultez Roulettes et pieds d'inclinaison).
Le moteur fonctionne pendant de longues périodes ou se met en marche et s'arrête fréquemment (Les réfrigérateurs modernes, qui ont davantage d'espace de rangement et un compartiment congélation plus grand, nécessitent plus de temps de fonctionnement. Ils se mettent en marche et s'arrêtent souvent pour maintenir des températures constantes.)	C'est normal quand on met en marche le réfrigérateur pour la première fois.	Attendez 24 heures que le réfrigérateur se refroidisse complètement.
	Cela arrive souvent quand on met beaucoup d'aliments dans le réfrigérateur.	C'est normal.
	La porte est restée ouverte.	Vérifiez qu'un paquet d'aliments n'empêche pas la porte de bien se fermer.
	Il fait chaud ou vous ouvrez souvent la porte.	C'est normal.
	Les boutons de réglage de température sont mis à leur position la plus froide.	Consultez Boutons de réglage de température.
Le compartiment réfrigération ou congélation est trop chaud	Le bouton de réglage de température est mis à une température trop basse.	Consultez Boutons de réglage de température.
	Il fait chaud ou vous ouvrez souvent la porte	Mettez le bouton de réglage de température un numéro plus froid. Consultez Boutons de réglage de température.
	La porte est restée ouverte.	Vérifiez qu'un paquet d'aliments n'empêche pas la porte de bien se fermer.
	La porte du compartiment congélation s'est ouvert instantanément.	Consultez La porte du compartiment congélation s'ouvre instantanément lorsque la porte du compartiment réfrigération se referme.
Du givre ou des cristaux de glace se forment sur les aliments congelés (du givre à l'intérieur des paquets d'aliments est normal)	La porte est restée ouverte.	Vérifiez qu'un paquet d'aliments n'empêche pas la porte de bien se fermer.
	Vous ouvrez la porte trop souvent ou trop longtemps.	
	De la nourriture obstrue les ouvertures de circulation d'air du compartiment congélation.	Éloignez la nourriture de la paroi arrière du compartiment congélation.
De l'humidité se forme sur la surface de l'armoire du réfrigérateur entre les portes	C'est normal pendant les périodes de grande humidité.	Essuyez complètement la surface, puis réglez la température du compartiment réfrigération un chiffre plus haut et vérifiez à nouveau 24 heures plus tard.
Le réfrigérateur sent	Les aliments donnent une odeur au réfrigérateur.	Vous devez bien emballer les aliments qui sentent fort. Conservez une boîte ouverte de bicarbonate de soude dans votre réfrigérateur; remplacez-la tous les trois mois.
	L'intérieur a besoin d'un nettoyage.	Consultez Soins et nettoyage de votre réfrigérateur.
De l'humidité se forme à l'intérieur (quand il fait humide, l'air à l'intérieur du réfrigérateur quand vous ouvrez les portes)	Vous ouvrez les portes trop souvent ou trop longtemps.	
	Des contenants ouverts renfermant de l'eau ou de la nourriture chaude se trouvent dans le compartiment réfrigération.	Recouvrez ou fermez hermétiquement les contenants transportant de l'humidité ouverts. L'humidité est évacuée du compartiment réfrigération lors du cycle de dégivrage, mais elle peut être réintroduite lors d'ouvertures prolongées et fréquentes de la porte.
Les commandes ne s'allument pas	Certains modèles ne sont pas munis de commandes lumineuses.	Si vous pouvez apercevoir des chiffres blancs sur le tableau de réglage, alors le modèle n'est pas muni de commandes lumineuses.
	L'ampoule du compartiment réfrigération a brûlé ou elle n'est pas vissée à fond.	Consultez Remplacement des ampoules électriques.

# Garantie limitée du réfrigérateur

**Pour les clients des États-Unis**, toutes les réparations en vertu de la garantie sont fournies par nos Centres de Service d'Usine ou par un technicien autorisé Customer Care®. Pour prévoir une réparation, consultez notre site **GEAppliances.com** ou appelez le 800.GE.CARE5 (800.432.2737). Veuillez avoir votre numéro de série et votre numéro de modèle à portée de main lorsque vous appelez pour obtenir un service. **Au Canada**, appelez le 800.561.3344.

Pour le diagnostic, la réparation de votre réfrigérateur peut nécessiter l'utilisation du port de données embarqué. Celui-ci permet au technicien de réparation GE Appliances de diagnostiquer rapidement des problèmes avec votre appareil. Il permet également à GE Appliances d'améliorer ses produits en fournissant à ces derniers des informations sur votre appareil. Si vous ne voulez pas que les données de votre appareil soient envoyées à GE Appliances, veuillez demander à votre technicien de NE PAS soumettre les données à GE Appliances pendant la réparation.

Pendant la période de :	GE Appliances remplacera
<b>Un An</b> A compter de la date d'achat initial	Toute pièce du réfrigérateur qui s'avère défectueuse en raison d'un défaut de matériau ou de fabrication. Pendant la validité de la présente garantie limitée d'un an, GE Appliances fournira également gratuitement la main d'œuvre et le service pour réparer la pièce défectueuse.

## Ce qui n'est pas couvert :

- Les déplacements à votre domicile pour vous expliquer l'utilisation de ce produit
- Une installation, livraison ou maintenance défectueuse.
- Une panne du produit par abus d'utilisation, par mauvaise utilisation, par modification ou s'il a été utilisé dans un but autre que celui pour lequel il a été fabriqué.
- Détérioration des aliments.
- Le remplacement des fusibles ou le ré-enclenchement du disjoncteur du domicile.
- Les dommages causés après la livraison.
- Le remplacement de la cartouche filtrante, si incluse, à cause d'une pression d'eau en dehors de la gamme de fonctionnement recommandée ou à cause d'une concentration excessive de sédiments dans l'eau d'alimentation.
- Le remplacement des ampoules, si incluses, ou la cartouche filtrante, si incluse, et dans des conditions autres que celles susmentionnées.
- Tout dommage causé par accident, incendie, inondation ou une catastrophe naturelle.
- Tout dommage fortuit ou indirect causé par des défauts éventuels de cet appareil.
- Le service s'il est impossible d'avoir accès au produit.
- Dommages causés par l'utilisation d'un filtre qui n'est pas de marque GE Appliances.
- Tout dommage au fini de l'appareil doit être signalé auprès du magasin où a été effectué l'achat dans les 48 heures suivant la livraison de l'appareil.
- Les produits n'étant pas défectueux, brisés ou qui fonctionnent selon la description du manuel du propriétaire.

**EXCLUSION DES GARANTIES TACITES - Votre recours exclusif est l'échange du produit suivant les modalités de la Garantie Limitée. Toutes garanties tacites, y compris les garanties de valeurs marchandes ou d'adéquation à des fins particulières, sont limitées à une durée d'un an ou à la durée la plus courte autorisée par la loi.**

**Pour les clients des États-Unis :** Cette garantie limitée est étendue à l'acheteur d'origine et aux propriétaires suivants pour tout produit acheté pour une utilisation domestique aux États-Unis. Si le produit est installé dans une région où ne se trouve aucun réparateur autorisé GE Appliances, vous devrez peut-être assumer les frais de transport ou apporter l'appareil à un centre de service autorisé GE Appliances. En Alaska, cette garantie limitée exclut le coût d'expédition ou de dépannage à votre domicile.

Certains états n'acceptent pas d'exclusion ou de limites aux dommages indirects consécutifs. Certains droits particuliers vous sont dévolus en vertu de la présente garantie limitée et peuvent s'accompagner d'autres droits qui varient selon votre lieu de résidence. Pour connaître vos droits juridiques, veuillez consulter le bureau local ou le bureau d'état des affaires aux consommateurs ou le Procureur Général de votre état.

**Garant : États-Unis : GE Appliances, a Haier company**  
Louisville, KY 40225

**Pour les clients au Canada:** Cette garantie est étendue à l'acheteur d'origine et aux propriétaires suivants pour tout produit acheté au Canada pour une utilisation domestique au Canada. Le service à domicile en vertu de la garantie sera fourni dans les régions où il est disponible et où Mabe estime raisonnable de le fournir.

**Garant Canada : MC Commercial, Burlington, Ontario, L7R 5B6**

Agrafez votre facture ici. Pour bénéficier du service de réparation sous garantie, une preuve de la date d'achat initial est nécessaire.

# Soutien au consommateur

---

## Site Web de GE Appliances

Vous avez une question ou vous avez besoin d'aide pour votre appareil électroménager? Visitez le site Web de GE Appliances 24 heures par jour, tous les jours de l'année! Vous pouvez aussi y trouver d'autres formidables produits GE Appliances et tirer avantage de tous nos services d'assistance en ligne. Aux États-Unis : **GEAppliances.com**  
Au Canada : **GEAppliances.ca**

---

## Enregistrez votre électroménager

Enregistrez votre nouvel appareil en ligne au moment qui vous convient le mieux! L'enregistrement de votre produit dans les délais prescrits permet une meilleure communication et un service rapide, selon les modalités de votre garantie, si besoin est. Vous pouvez également envoyer par courrier la carte d'enregistrement pré-imprimée qui se trouve dans l'emballage de votre appareil.

Aux États-Unis : **GEAppliances.com/register**

Au Canada : **Prodsupport.mabe.ca/crm/Products/ProductRegistration.aspx**

---

## Service de réparation

Un service de réparation expert GE Appliances se trouve à quelques pas de chez vous. Rendez-vous sur notre site et programmez, à votre convenance, une visite de réparation à n'importe quel jour de l'année.

Aux États-Unis : **GEAppliances.com/service** ou composez le 800.432.2737 durant les heures normales de bureau.

Au Canada : **GEAppliances.ca/en/support/service-request** ou composez le 800.561.3344

---

## Prolongation de garantie

Procurez-vous une prolongation de garantie GE Appliances et informez-vous des rabais spéciaux en vigueur pendant la durée de votre garantie. Vous pouvez vous la procurer en ligne en tout temps. Les services GE Appliances seront toujours disponibles après l'expiration de la garantie. Aux États-Unis :

**GEAppliances.com/ge/extended-warranty** ou composez le 800.626.2224 durant les heures normales de bureau.

Au Canada : **GEAppliances.ca/en/support/purchase-extended-warranty** ou composez le 800.290.9029

---

## Connectivité à distance

Pour de l'assistance concernant la connectivité au réseau sans fil (pour les modèles équipés de cette fonction), visitez notre site Web au **GEAppliances.com/connected-home-smart-appliances** ou composez le 800.220.6899 aux États-Unis seulement.

---

## Pièces et accessoires

Les personnes ayant les compétences requises pour réparer elles-mêmes leurs appareils peuvent recevoir directement à la maison des pièces ou accessoires (les cartes VISA, MasterCard et Discover sont acceptées). Commandez en ligne 24 heures par jour.

Aux États-Unis : **GEApplianceparts.com** ou par téléphone au 877.959.8688 durant les heures normales de bureau.

**Les instructions contenues dans le présent manuel comportent des procédures que tout utilisateur peut effectuer. Les autres types de réparation doivent généralement être confiés à un technicien qualifié. Utilisez de prudence : une réparation ou un entretien mal effectués peuvent rendre l'utilisation de l'appareil dangereuse.**

Les consommateurs au Canada doivent consulter les pages jaunes pour connaître le centre de service Mabe le plus proche, visiter notre site Web au **GEAppliances.ca/en/products/parts-filters-accessories** ou composer le 1.800.661.1616.

---

## Communiquez avec nous

Si vous n'êtes pas satisfait du service après-vente de GE Appliances, communiquez avec nous depuis notre site Web en fournissant tous les détails dont votre numéro de téléphone, ou écrivez à :

Aux États-Unis : General Manager, Customer Relations | GE Appliances, Appliance Park | Louisville, KY 40225

**GEAppliances.com/contact**

Au Canada : Director, Consumer Relations, Mabe Canada Inc. | Suite 310, 1 Factory Lane | Moncton, N.B. E1C 9M3  
**GEAppliances.ca/en/contact-us**





# Congelador superior REFRIGERADORES

**INFORMACIÓN DE SEGURIDAD** .....3

**OPERACIÓN DEL REFRIGERADORE**

Controles .....6

Estantes y compartimientos.....7

Cajones y recipientes.....8

**CUIDADO Y LIMPIEZA** .....9

Limpieza de la parte exterior.....9

Limpieza de la parte interior .....9

Condensador.....9

Cómo Mover el Refrigerador ..... 10

Preparación para vacaciones .....10

Preparación para una mudanza.....10

Cómo reemplazar la bombilla .....10

**INSTRUCCIONES PARA LA INSTALACIÓN** .....11

Instalación de la manija de la puerta .... 12

Cómo invertir el vaivén de la puerta .... 13

**SOLUCIÓN DE PROBLEMAS**

Sonidos normales de operación ..... 17

Consejos para la solución de problema .. 17

**GARANTÍA LIMITADA**.....19

**SOPORTE AL CONSUMIDOR**...20

**MANUAL DEL PROPIETARIO E INSTRUCCIONES DE INSTALACIÓN**

GTE18M

**ESPAÑOL**

Escriba los números de modelo y de serie aquí:

Nº de Modelo \_\_\_\_\_

Nº de Serie \_\_\_\_\_

Busque estos números en una etiqueta del lado izquierdo, cerca de la parte intermedia del compartimiento del refrigerador.

## **GRACIAS POR HACER QUE GE APPLIANCES SEA PARTE DE SU HOGAR.**

---

Ya sea que haya crecido usando GE Appliances, o que ésta es su primera vez, nos complace tenerlo en la familia.

Sentimos orgullo por el nivel de arte, innovación y diseño de cada uno de los electrodomésticos de GE Appliances, y creemos que usted también. Entre otras cosas, el registro de su electrodoméstico asegura que podamos entregarle información importante del producto y detalles de la garantía cuando los necesite.

Registre su electrodoméstico GE ahora a través de Internet. Sitios Web y números telefónicos útiles están disponibles en la sección de Soporte para el Consumidor de este Manual del Propietario.

También puede enviar una carta en la tarjeta de inscripción preimpresa que se incluye con el material embalado.



**GE APPLIANCES**

# INFORMACIÓN IMPORTANTE DE SEGURIDAD

## LEA TODAS LAS INSTRUCCIONES ANTES DE USAR

### ⚠️ ADVERTENCIA

A fin de reducir el riesgo de incendio, explosión, descargas eléctricas o lesiones al usar su refrigerador, siga estas precauciones básicas de seguridad:

- Este refrigerador se deberá instalar y ubicar adecuadamente de acuerdo con las Instrucciones de Instalación antes de ser usado.
- Desenchufe el refrigerador antes de hacer reparaciones, reemplazar una lámpara de luz o hacer una limpieza.  
**NOTA:** La corriente que va al refrigerador no puede ser desconectada por ninguna configuración del panel de control.  
**NOTA:** Las reparaciones deberán ser realizadas por un Profesional del Servicio Técnico calificado.
- Reemplace todas las piezas y paneles antes del uso.
- No guarde ni use gasolina u otros vapores inflamables y líquidos cerca de este u otros electrodomésticos.
- No guarde sustancias explosivas tales como latas de aerosoles con propelentes inflamables en este electrodoméstico.
- No use un prolongador.
- A fin de evitar riesgos de que los niños sufran asfixia o queden atrapados, retire las puertas de comidas frescas y del freezer de cualquier refrigerador antes de deshacerse o dejar de usar el mismo.
- Para evitar lesiones graves o la muerte, los niños no se deberán parar sobre ni jugar en o con el electrodoméstico.
- Los niños y las personas con capacidad física, sensorial o mental reducida o con falta de experiencia y conocimiento podrán usar este electrodoméstico sólo si son supervisados o les fueron dadas instrucciones sobre un uso seguro y entienden los riesgos involucrados.
- Este electrodoméstico fue diseñado para uso hogareño y para aplicaciones similares tales como: áreas de personal de cocina en tiendas, oficinas y otros espacios laborales; casas de campo; por clientes en hoteles, moteles, hostales y otros espacios residenciales, catering y aplicaciones no minoristas similares.

### ⚠️ PRECAUCIÓN

A fin de reducir el riesgo de lesiones al usar el refrigerador, siga estas precauciones básicas.

- No limpie estantes de vidrio ni tapas con agua caliente cuando estén fríos. Los estantes de vidrio y las tapas se pueden romper si son expuestos a cambios de temperatura repentinos o impactos, tales como sacudones o caídas. El vidrio templado está diseñado para destruirse en pequeñas piezas en caso de rotura.
- Mantenga los dedos fuera de los espacios de "riesgo de lastimaduras"; los despejes entre las puertas y entre las puertas y el gabinete son necesariamente pequeños. Tenga el cuidado de cerrar las puertas cuando los niños se encuentren en el área.
- No toque las superficies frías del compartimiento del freezer cuando las manos estén húmedas o mojadas, ya que la piel se podrá adherir a estas superficies extremadamente frías.
- No vuelva a congelar comidas que hayan estado totalmente congeladas en forma previa.

## INSTALACIÓN

### ⚠️ ADVERTENCIA



### RIESGO DE EXPLOSIÓN

Mantenga cualquier material y vapores inflamables, tales como gasolina, alejados del refrigerador. Si no se cumple con esto se podrá producir una explosión, incendio o la muerte.

## LEA Y GUARDE ESTAS INSTRUCCIONES

# INFORMACIÓN IMPORTANTE DE SEGURIDAD LEA TODAS LAS INSTRUCCIONES ANTES DE USAR

## CONEXIÓN DE LA ELECTRICIDAD

### **⚠ ADVERTENCIA**



### **RIESGO DE DESCARGA ELÉCTRICA**

Enchufe en un tomacorriente con conexión a tierra de 3 cables.

No elimine el cable de conexión a tierra.

No use un adaptador.

No use un prolongador.

Si no se siguen estas instrucciones se podrá producir a muerte, incendios o descargas eléctricas.

**Nunca, bajo ninguna circunstancia, corte o elimine el tercer cable (tierra) del cable de corriente. Para su seguridad personal, este electrodoméstico debe estar adecuadamente conectado a tierra.**

El cable de corriente de este electrodoméstico contiene un enchufe de 3 cables (conexión a tierra) que se conecta a un tomacorriente de pared estándar de 3 cables (conexión a tierra) para minimizar la posibilidad de riesgos de descargas eléctricas por parte del mismo.

Contrate a un electricista calificado para que controle el tomacorriente y el circuito eléctrico, a fin de asegurar que el enchufe esté correctamente conectado a tierra.

En caso de contar con un tomacorriente de pared de 2 cables, es su responsabilidad y obligación reemplazarlo por un tomacorriente de pared de 3 cables correctamente conectado a tierra. No use un adaptador.

El refrigerador debería estar siempre conectado a un enchufe específico con un índice de voltaje equivalente al que figura en su etiqueta de características técnicas.

Se requiere un suministro eléctrico con fusible y conexión a tierra de 115 voltios de CA, 60 Hz, 15 o 20 amperes. Esto garantiza el mejor funcionamiento y además previene la sobrecarga de los circuitos del hogar, lo cual podría ocasionar riesgos de incendio debido al recalentamiento de cables.

Nunca desenchufe el refrigerador tirando del cable de corriente. Siempre tome su enchufe firmemente y empuje el mismo hacia afuera para retirarlo.

Inmediatamente interrumpa el uso de un cable de suministro de corriente dañado. Si el cable de corriente se encuentra dañado, su reemplazo deberá ser realizado por un profesional calificado del servicio técnico, utilizando una pieza del servicio técnico autorizada por el fabricante.

Al alejar el refrigerador de la pared, se deberá tener cuidado de que no ruede sobre ni dañe el cable de corriente.

## FORMA ADECUADA DE DESCARTAR SU ANTIGUO REFRIGERADOR

### **⚠ ADVERTENCIA**

### **PELIGRO DE SUFFOCATION Y ENTRAPMENT**

El incumplimiento de estas instrucciones de eliminación puede causar la muerte o lesiones graves.

**IMPORTANTE:** Que un niño quede atrapado o que sufra una asfixia no son problemas del pasado. Los refrigeradores antiguos o abandonados aún son peligrosos, incluso aunque se conserven por "sólo unos pocos días". Si se deshará de su antiguo refrigerador, siga las siguientes instrucciones a fin

de evitar accidentes.

#### **Antes de descartar su antiguo aparato:**

- Retire las puertas de comidas frescas y del freezer.
- Deje los estantes en su lugar de modo que los niños no puedan trepar dentro con facilidad.

#### **Cómo Eliminar Refrigerantes y Gomaespumas:**

Descarte el electrodoméstico de acuerdo con las Regulaciones Federales y Locales. El refrigerante inflamable y el material aislante utilizado requieren procedimientos especiales de eliminación. Comuníquese con las autoridades locales para descartar su electrodoméstico de forma ambientalmente segura

# LEA Y GUARDE ESTAS INSTRUCCIONES

# INFORMACIÓN IMPORTANTE DE SEGURIDAD

## LEA TODAS LAS INSTRUCCIONES ANTES DE USAR

### ⚠ ADVERTENCIA



### RIESGO DE INCENDIO O EXPLOSIÓN Refrigerantes Inflamables

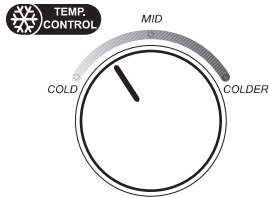
Este electrodoméstico cuenta con refrigerante isobutano, también conocido como R600a, un gas natural con alto nivel de compatibilidad medioambiental. Sin embargo, también es combustible. Siga las advertencias que figuran a continuación, a fin de reducir el riesgo de lesiones o daños sobre la propiedad.

1. Al mover, instalar y operar el electrodoméstico, se deberá tener cuidado de no dañar la tubería del refrigerante.
2. El servicio técnico sólo debe ser realizado por personal autorizado del servicio. Use sólo piezas del servicio autorizadas por el fabricante
3. Descarte el electrodoméstico de acuerdo con las Regulaciones Federales y Locales. El refrigerante inflamable y el material aislante inflamable usados en este producto requieren procedimientos de descarte especiales. Comuníquese con las autoridades locales para descartar su refrigerador de forma ambientalmente segura.
4. Mantenga las aberturas de ventilación en el espacio de protección del electrodoméstico o en la estructura incorporada libres de obstrucción.
5. A fin de eliminar la escarcha, raspe con una espátula o raspador de plástico o madera. No use un pico de hielo o un instrumento de metal con forma puntiaguda, ya que esto podrá perforar el revestimiento del freezer y luego la tubería refrigerante inflamable detrás de éste.
6. No use dispositivos eléctricos dentro del compartimiento de almacenamiento de comida del electrodoméstico.
7. No use ningún dispositivo eléctrico para descongelar su refrigerador.

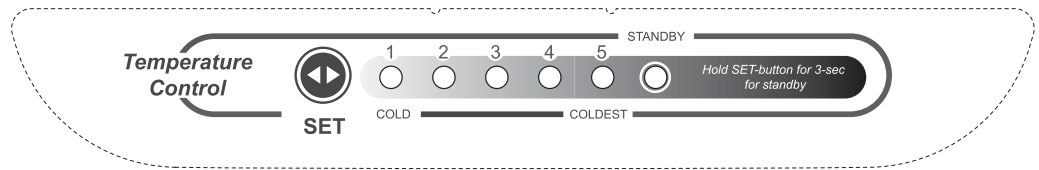
## LEA Y GUARDE ESTAS INSTRUCCIONES

## Controles

Tanto el compartimiento de comidas frescas como el compartimiento del freezer cuentan con un control de temperatura. Inicialmente, ajuste el control en las configuraciones normales recomendadas en los compartimientos de comidas frescas y del freezer. Espere 24 horas hasta que la temperatura se establezca.



Control de temperatura del freezer



Control de temperatura de comidas frescas

1 es frío

5 es el nivel más frío

### Configuraciones de los Controles

#### Control del Refrigerador

Cuando se enchufe por primera vez, todas las luces se iluminarán durante 3 segundos.

La configuración de fábrica se exhibe durante 3 segundos.

Cambie la configuración presionando la tecla **SET**

(Configuración); cada vez que la presione avanzará de a 1.

Presione la misma hasta lograr la configuración deseada.

Ajuste los controles realizando un incremento por vez, a fin de determinar su configuración preferida. Espere 12 horas luego de cada ajuste para que el refrigerador alcance la temperatura que configuró. La configuración en 1 es la más cálida y en 5 la más fría.

#### Modo de Inactividad

Cuando el refrigerador esté en ON (Encendido), presionar **SET** (Configuración) durante 3 segundos hará que el refrigerador quede en el modo de inactividad, y la luz indicadora de inactividad se encenderá.

La configuración de inactividad hará que ambos compartimientos del refrigerador y del freezer dejen de enfriar, pero no cortará el ingreso de corriente al refrigerador.

Al invertir el funcionamiento normal presionando el botón **SET** (Configuración), la luz de inactividad se apagará y se regresará a la última configuración.

Luego de cada ajuste, controle tanto el compartimiento del freezer como el de comidas frescas. Modificar el control de comidas frescas afectará la temperatura del compartimiento del freezer. Asimismo, modificar el control del freezer podrá afectar la temperatura del compartimiento de comidas frescas.

Las configuraciones del control variarán dependiendo de las preferencias personales, el uso y las condiciones de funcionamiento, y podrán requerir más de un ajuste. Los factores que afectan la temperatura incluyen la cantidad de comida en los compartimientos de comidas frescas y del freezer, la frecuencia de apertura de puertas y la temperatura de la comida al ser colocada en cualquiera de los compartimientos.

# Estantes y compartimientos

No todas las características están presentes en todos los modelos.

## Reorganización de los estantes

Los estantes en los compartimientos del refrigerador y del congelador son ajustables.

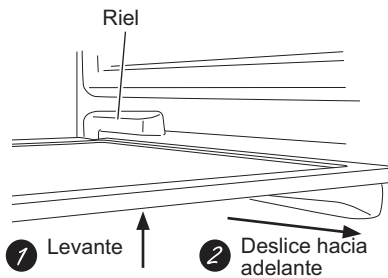
### COMPARTIMIENTO DEL REFRIGERADOR

#### Estantes de ancho completo

La repisa descansa sobre un soporte moldeado de la pared lateral y se bloquea en un riel en la pared del gabinete trasero a cada lado.

#### Para quitar:

1. Levante la repisa a través del espacio del riel.
2. Deslice la repisa hacia delante a lo largo del riel.
3. Saque la repisa de la unidad.



#### Para volver a colocar:

Invierta los pasos anteriores para el retiro.

### ⚠ PRECAUCIÓN

No limpie estantes de vidrio ni tapas con agua caliente cuando estén fríos. Los estantes de vidrio y las tapas se pueden romper si son expuestos a cambios de temperatura repentinos o impactos tales como sacudones o caídas. El vidrio templado está diseñado para destruirse en pequeñas piezas en caso de rotura.

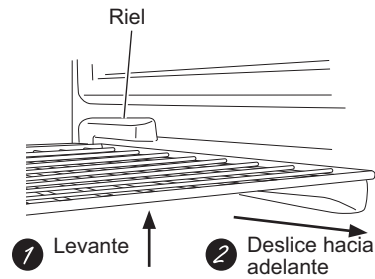
No lave ninguna parte plástica del refrigerador en el lavavajillas.er.

### Compartimiento del congelador

La repisa descansa sobre un soporte moldeado de la pared lateral y se bloquea en un riel en la pared del gabinete trasero a cada lado.

#### Para quitar:

1. Levante la repisa a través del espacio del riel.
2. Deslice la repisa hacia delante a lo largo del riel.
3. Saque la repisa de la unidad.



#### Para volver a colocar:

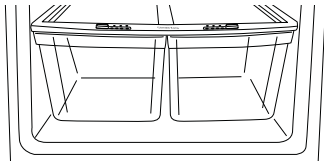
Invierta los pasos anteriores para el retiro.

## Cajones y recipientes

No todas las características están presentes en todos los modelos.

### Gaveta preservadora de frutas y vegetales

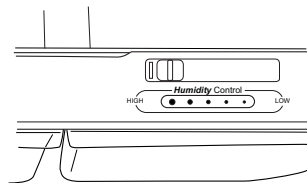
El exceso de agua que pueda acumularse al fondo de las gavetas debe retirarse y se deben limpiar las gavetas.



### Gaveta preservadora de humedad ajustable

Deslice el control hasta la configuraci High (Alta) a fin de brindar el alto nivel de humedad recomendado para la mayor de las verduras.

Deslice el control hasta la configuraci Low (Baja) a fin de brindar el bajo nivel de humedad recomendado para la mayor de las frutas.



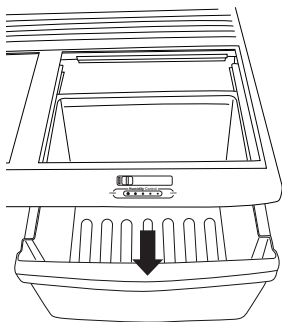
## Cómo retirar la gaveta preservadora de alimentos

Desocupe el estante inferior antes de intentar retirar las gavetas de almacenamiento.

### Para retirar:

Levante las gavetas hacia arriba ligeramente mientras las hala pasando por el punto del freno.

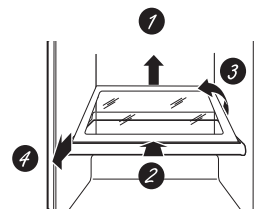
Si no puede quitar las gavetas a causa de la puerta, primero trate de sacar las bandejas de la puerta. Si esto no proporciona el espacio necesario, se necesitará hacer rodar el refrigerador hacia adelante hasta que la puerta se abra lo bastante para deslizar las gavetas hasta quitarlas. En algunos casos, cuando se hace rodar el refrigerador, hacia adelante se necesitará moverlo el refrigerador hacia la izquierda o derecha al mismo tiempo.



### Para retirar la cubierta de vidrio:

Retire el vidrio, luego el marco. Cuando reemplace el vidrio, empuje el borde frontal firmemente en el marco.

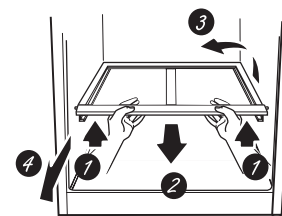
1. Empuje la cubierta de vidrio al posterior.
2. Deslice la cubierta de vidrio hacia atrás hasta que el borde frontal se salga del marco.
3. Rote el costado de la cubierta del vidrio hacia arriba.
4. Retire la cubierta de vidrio.



Para retirar la cubierta de vidrio

### Para retirar el marco:

1. Levante el frente del marco usando ambas manos.
2. Deslice el marco hacia delante.
3. Rote el costado del marco hacia arriba.
4. Retire el marco.



Para retirar el marco



# Cuidado y limpieza

## Limpieza exterior

Las manijas de la puerta y accesorio. Limpie con un paño humedecido con agua jabonosa. Seque con un paño seco.

Mantenga el exterior limpio. Límpielo con un paño ligeramente humedecido con cera de cocina para electrodomésticos o detergente líquido suave para platos. Seque y brille con un paño limpio y seco.

Los paneles y las empuñaduras de las puertas de acero inoxidable (en algunos modelos) pueden ser limpiados con un limpiador para acero inoxidable para usos comerciales. Los limpiadores con ácido oxálico tales como Bar Keepers Friend Soft Cleanser eliminarán el óxido, deslustres y pequeñas manchas. Use sólo un limpiador líquido libre de

material abrasivo y frote en la dirección de las líneas del cepillo con una esponja suave y húmeda. No utilice cera para electrodomésticos sobre el acero inoxidable.

No limpie el refrigerador con un paño sucio para platos o con una toalla mojada. Estos pueden dejar residuos y pueden erosionar la pintura. No use almohadillas de restregar, limpiadores en polvo, blanqueadores o limpiadores que contengan blanqueadores ya que estos productos pueden raspar y debilitar el acabado de pintura.

## Limpieza interior

**Para ayudar a evitar olores**, deje una caja abierta de bicarbonato en los compartimientos de alimentos frescos y en el congelador.

**Desconecte el refrigerador antes de limpiarlo.**

Si esto no es práctico, escurra la humedad excesiva con una esponja o paño al limpiar alrededor de los interruptores, luces o controles.

**Use una solución de agua tibia y bicarbonato**—una cucharada (15 ml) de bicarbonato para un cuarto (1 litro) de agua. Esto limpia y neutraliza los olores. Enjuague y seque.

No limpie con productos que contengan detergente, lejía o amoníaco. Pueden dañar el refrigerador.

Después de limpiar las juntas de la puerta, aplique una fina capa de vaselina a las juntas sobre el lado de la bisagra. Esto ayuda a que las juntas no se peguen y que no se deformen. No utilice polvos limpiadores u otros limpiadores abrasivos.

### ⚠ PRECAUCIÓN

No limpie estantes de vidrio ni tapas con agua caliente cuando estén fríos. Los estantes de vidrio y las tapas se pueden romper si son expuestos a cambios de temperatura repentinos o impactos tales como sacudones o caídas. El vidrio templado está diseñado para destruirse en pequeñas piezas en caso de rotura.

No lave ninguna parte plástica del refrigerador en la lavadora de platos.

## Condensador

Dependiendo del modelo, el condensador se encontrará ubicado cerca del compresor o detrás de la pared trasera. Si el condensador se encuentra cerca del compresor, no hay necesidad de una limpieza de rutina del condensador en ambientes de operación de hogares normales. Sin embargo, en ambientes que puedan ser particularmente polvorientos o grasosos, el condensador debe limpiarse periódicamente para una operación eficiente del refrigerador.

**Cómo limpiar el condensador:**

Pásele un trapo o la aspiradora para deshacerse del polvo.

### ⚠ ADVERTENCIA

A fin de reducir el riesgo de muerte o de descargas eléctricas, se deberán seguir estas instrucciones:

- **Desenchufe el refrigerador antes de retirar cualquier panel.**
- **No genere contacto ni dañe cualquier cable mientras el panel es retirado.**
- **Reemplace todas las piezas y paneles antes de volver a enchufar el refrigerador.**

# Cuidado y limpieza

## Cómo Mover el Refrigerador

Tenga cuidado al mover el refrigerador lejos de la pared. Todos los tipos de cubiertas de piso se pueden dañar, particularmente las cubiertas acojinadas y aquellas con superficies con diseños en relieve.

Gire las patas niveladoras en cada esquina del refrigerador en contra de las agujas del reloj, hasta que las mismas apoyen el refrigerador. Hale el refrigerador en línea recta y regréselo a su posición empujándolo de la misma forma.

Mover el refrigerador en una dirección lateral puede resultar en daños a la superficie del piso o al refrigerador.

### ⚠️ ADVERTENCIA



### RIESGO DE

### DESCARGA ELÉCTRICA

Cuando empuje de nuevo el refrigerador, asegúrese de no pisar el cable eléctrico.

Luego de volver a ubicar el refrigerador en su posición, gire las patas en dirección de las agujas del reloj, hasta que las patas vuelvan a sostener el peso del refrigerador.

## Cómo prepararse para las vacaciones

Para una largas vacaciones o ausencias, retire los alimentos y desconecte el refrigerador. Gire el disco de control de la temperatura hacia la posición Off (apagado), y limpie el interior

con una solución de una cucharada de bicarbonato (15 ml) y un cuarto (1 litro) de agua. Deje las puertas abiertas.

## Cómo prepararse para trasladarse

Asegure todos los artículos sueltos como la rejilla, los estantes y cajones pegándolos con cinta en su lugar para evitar daños. A fin de evitar la apertura de puertas durante el movimiento, asegure las mismas al cuerpo con cinta.

Asegúrese de que el refrigerador permanezca en una posición vertical durante el traslado.

## Cómo reemplazar la bombilla

### ⚠️ ADVERTENCIA

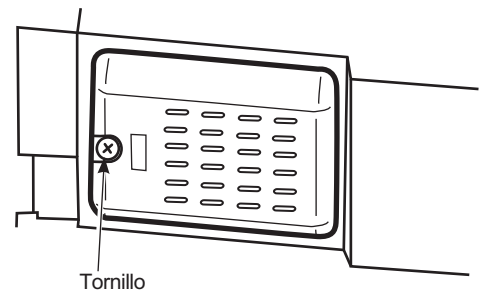


### RIESGO DE

**DESCARGA ELÉCTRICA** Desconecte el refrigerador de cambiar la bombilla.

Girar el control a la posición OFF (apagado) no elimina la corriente en el circuito de luces.

1. Desconecte el refrigerador.
2. Remove the top shelf (if necessary).
3. La lámpara de luz está ubicada detrás de un lente de luz en el techo de la sección del refrigerador. Retire los lentes de luz, quitando el único tornillo presente con un destornillador de cabeza Phillips.
4. Reemplácela con una bombilla de electrodomésticos del mismo o de inferior voltaje.
5. Reemplace los lentes de luz.
6. Conecte de nuevo el refrigerador.



# Installation para la Instalación

## Refrigerador Modelo GTE18M

¿Preguntas? Llame a 800.GE.CARES (800.432.2737) o visite nuestro sitio web en: [GEAppliances.com](http://GEAppliances.com)  
 En Canadá, llame al 1.800.561.3344 o visite nuestro Sitio Web en: [GEAppliances.ca](http://GEAppliances.ca)

### ANTES DE EMPEZAR

Lea estas instrucciones completa y cuidadosamente.

- **IMPORTANTE** — Guarde estas instrucciones para uso del inspector local.
- **IMPORTANTE** — Observe todos los códigos y órdenes de ley.
- **Note to Installer** — Asegúrese de dejar estas instrucciones con el consumidor.
- **Note to Consumer** — Conserve estas instrucciones para referencia futura.
- **Skill level** — La instalación de este aparato requiere de destrezas mecánicas básicas.
- **Completion time**—Instalación del refrigerador 15 minutos. Inversión de la Apertura de Puerta — 15 minutos.
- La instalación apropiada es la responsabilidad del instalador.
- La falla del producto debido a una instalación inadecuada no está cubierta por la garantía.

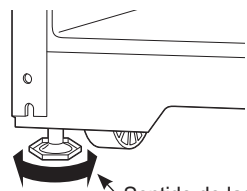
### RUEDAS Y PATAS NIVELADORAS

Las patas niveladoras cerca de cada esquina frontal del refrigerador son ajustables. Las mismas posicionan de manera firme el refrigerador y evitan que se mueva cuando las puertas son abiertas. Las patas niveladoras se deberían ajustar de modo que el frente del refrigerador sea elevado lo suficiente como para que las puertas se cierren con facilidad al ser abiertas hasta la mitad de sus recorridos.

Gire las patas niveladoras en dirección de las agujas del reloj para levantar el refrigerador, y en contra de las agujas del reloj para bajarlo.

Las ruedas junto a las patas niveladoras le permiten alejar el refrigerador de la pared para su limpieza.

Gire las patas en contra de las agujas del reloj, hasta que el peso del refrigerador sea transferido de las mismas a las ruedas. Luego de volver a ubicar el refrigerador en su posición, gire las patas en dirección de las agujas del reloj, hasta que las mismas vuelvan a sostener el peso del refrigerador.



Sentido de las agujas del reloj para levantar el refrigerador

### UBICACIÓN DEL REFRIGERADOR

- No instale el refrigerador donde las temperaturas sean inferiores a 55°F (12.7°C), ya que no se mantendrá en funcionamiento el tiempo suficiente para conservar las temperaturas adecuadas.
- No instale el refrigerador donde la temperatura sea superior a los 100°F (37°C), ya que no funcionará de forma correcta.
- No instale el refrigerador en una ubicación expuesta al agua (lluvia, etc.) o en contacto directo con la luz solar.
- Instale el refrigerador en un piso lo suficientemente fuerte como para soportarlo completamente cargado.

### CONECTE EL REFRIGERADOR

Enchufe el refrigerador.



### ÁREA

Permita el siguiente espacio para una fácil instalación, apropiada circulación del aire y conexiones de plomería y eléctricas.

- Costados 1/8" (3 mm)
- Arriba 1" (25 mm)
- Atrás 1" (25 mm)

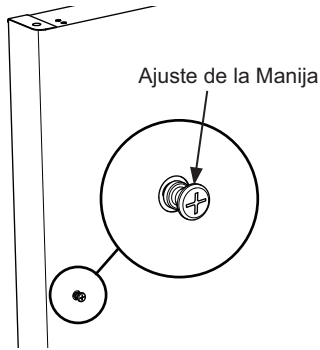
Si el refrigerador será instalado junto a una pared del lado de la bisagra, deje un espacio de apertura de la puerta de 5/16" (8 mm).

# Instrucciones para la instalación

## INSTALACIÓN DE LA MANIJA DE LA PUERTA

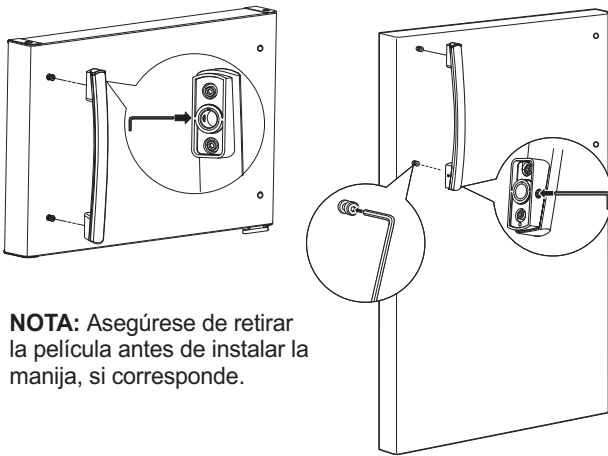
### 1 SUJETADORES DE LA MANIJA

1. De ser necesario invertir el giro de la puerta, consulte la sección de Inversión de la Puerta.
2. De ser necesario invertir el giro de la puerta, consulte la sección de Inversión de la Puerta.



### 2 INSTALACIÓN DE LAS MANIJAS

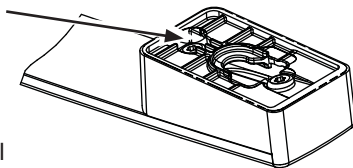
1. Adhiera cada manija a los sujetadores de las manijas de las puertas con los tornillos correspondientes usando una llave Allen de 1/8".
2. Ajuste los tornillos correspondientes sobre la parte superior e inferior de cada manija. NOTA: No ajuste en exceso.



**NOTA:** Asegúrese de retirar la película antes de instalar la manija, si corresponde.

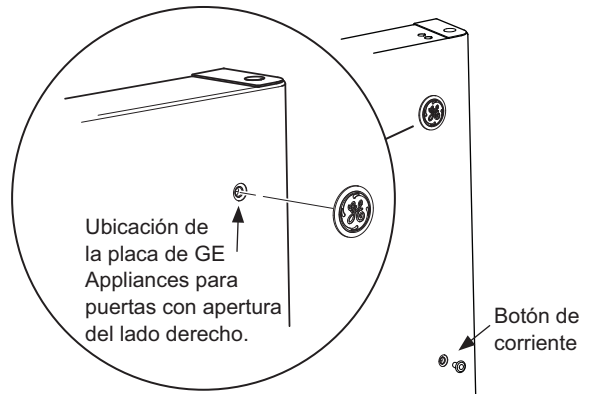
#### Para Manijas de Acero Inoxidable Únicamente

No retire la película que cubre la superficie de contacto de la puerta que se muestra en la imagen. La película protege la superficie de la puerta del contacto directo con la manija.



### 3 INSTALACIÓN DE LA PLACA Y DEL BOTÓN DEL ENCHUFE SOBRE LA PUERTA DEL FREEZER

1. Retire el botón del enchufe del orificio superior de montaje de la manija que no está en uso.
2. Ubique la placa de GE Appliances en la bandeja del cajón de vegetales y retire el papel protector.
3. Con cuidado, oriente la placa de forma correcta y coloque la misma sobre el orificio superior de la manija del freezer que no está en uso.



# Instrucciones para la instalación

## CÓMO INVERTIR EL VAIVÉN DE LA PUERTA

**⚠ ADVERTENCIA** Siga todos los pasos al invertir la dirección de apertura de la puerta. Si no se siguen estas instrucciones, dejando piezas sin uso o ajustando tornillos en exceso, esto podrá hacer que la puerta se caiga y producir lesiones y daños sobre la propiedad.

### NOTAS IMPORTANTES

Al invertir el vaivén de la puerta:

- Lea las instrucciones completamente antes de empezar.
- Maneje las partes con cuidado para evitar raspar la pintura.
- Ponga los tornillos con su parte correspondiente para evitar usarlas en el lugar equivocado.
- Disponga de una superficie de trabajo que no se raspe para las puertas.

**IMPORTANTE:** Una vez que empiece, no mueva el gabinete hasta que haya completado el proceso de invertir el vaivén de la puerta.

Estas instrucciones son para cambiar las bisagras del lado derecho al izquierdo, si alguna vez desea cambiar las bisagras al lado derecho nuevamente, siga las mismas instrucciones e invierta toda las referencias hacia la izquierda y derecha.

Desconecte el refrigerador de su toma corriente eléctrico.

**NOTA:** No permita que ninguna de las puertas caiga al piso. Esto podría dañar la traba de la puerta.

### ⚠ PRECAUCIÓN Riesgo al Levantar

La Puerta de Comidas Frescas y del Freezer son pesadas. Use ambas manos para asegurar las puertas antes de levantarlas.

### HERRAMIENTAS REQUERIDAS



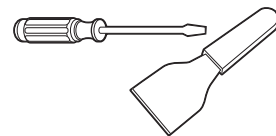
Destornillador de estrella



Llave de cubo y trinquete de 5/16"



Cinta de enmascarar



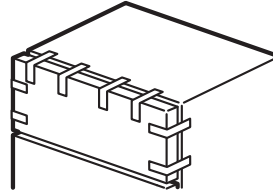
Cuchillo para masilla (espátula) o destornillador delgado



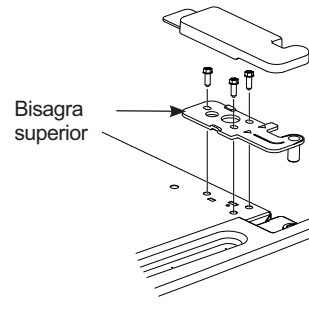
Llave Allen (1/8" para todas las manijas)

### 1 RETIRE LA PUERTA DEL CONGELADOR

1. Retire toda la comida del cobertor interno del horno.
2. Pegue la puerta cerrada con cinta de enmascarar.

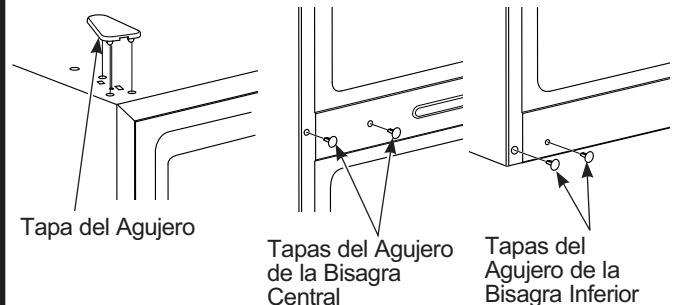


3. Retire la tapa de la bisagra que están en la parte superior de la puerta con un destornillador de punta fina.
4. Quite los tres tornillos con una llave de cubo y trinquete de 5/16", luego levante la bisagra directo hacia arriba para liberar el perno de la bisagra del casquillo en la parte superior de la puerta.



5. Retire la cinta e incline la puerta hacia fuera del gabinete. Levántela del perno de la bisagra del centro.
6. Retire las tapas de los agujeros con una espátula del lado opuesto de las tres bisagras.

**NOTA:** Las tapas de los agujeros de la bisagra central y los agujeros de la bisagra inferior son diferentes. Asegúrese de mantenerlos separados.



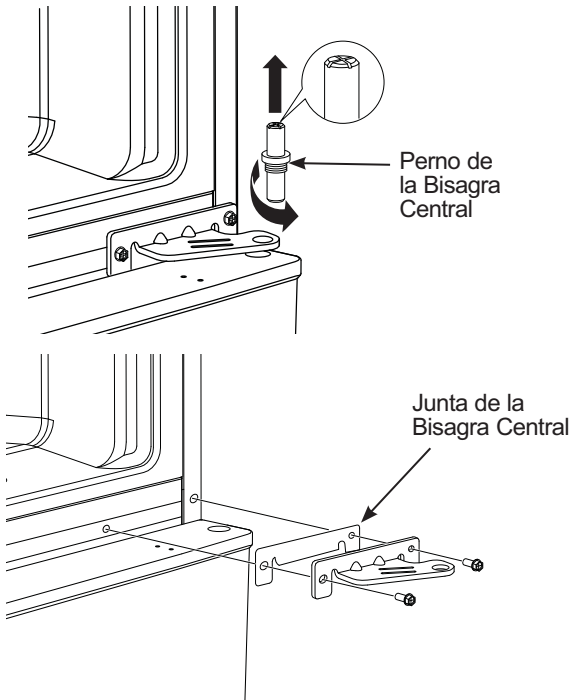
7. Ponga la puerta en una superficie que no se raye con la parte exterior hacia arriba.

# Instrucciones para la instalación

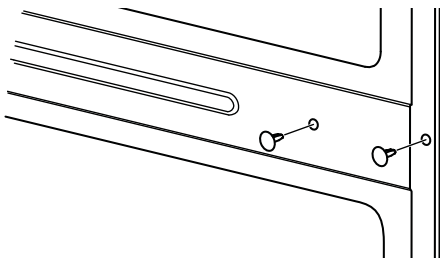
## CÓMO INVERTIR EL VAIVÉN DE LA PUERTA (Cont.)

### 2 RETIRE LA PUERTA DEL REFRIGERADOR

1. Retire toda la comida del cobertor interno del horno.
2. Cierre la puerta y péguela con cinta de enmascarar.
3. Retire la clavija de la bisagra central usando un destornillador con cabeza Phillips.
4. Quite la bisagra central removiendo los dos tornillos de bisagra con una llave de cubo y trinquete de 5/16". Conserve la bisagra central, el perno de la bisagra, los tornillos y la junta de la bisagra central.

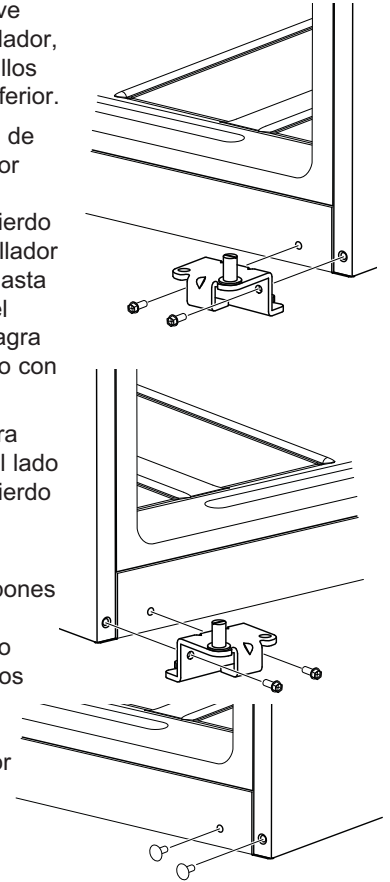


5. Retire la cinta e incline la puerta lejos del gabinete. Levante la puerta para liberar el casquillo inferior del perno en el soporte de la bisagra inferior.
6. Ponga la puerta hacia arriba en una superficie que no raye.
7. Instale los 2 enchufes de los agujeros del lado opuesto del gabinete a los agujeros del tornillo que está vacío por el retiro de la bisagra central.



### 3 TRANSFIERA LA BISAGRA CENTRAL A LA IZQUIERDA

1. Usando una llave tubo y destornillador, retire los 2 tornillos de la bisagra inferior.
2. Mueva el perno de la bisagra inferior desde el lado derecho al izquierdo con un destornillador de punta fina, hasta que el borde del perno de la bisagra esté en contacto con la bisagra.
3. Mueva la bisagra inferior desde el lado derecho al izquierdo y ajuste los 2 tornillos.
4. Instale los 2 tapones de los agujeros del lado opuesto del gabinete a los agujeros del tornillo que están vacíos por el retiro de la bisagra inferior.

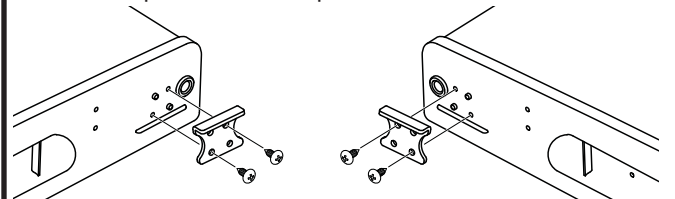


### ⚠️ ADVERTENCIA

Siga todos los pasos al invertir la dirección de apertura de la puerta. Si no se siguen estas instrucciones, dejando piezas sin uso o ajustando tornillos en exceso, esto podrá hacer que la puerta se caiga y producir lesiones y daños sobre la propiedad.

### 4 TRANSFIERA LA TRABA DE LA PUERTA A LA IZQUIERDA

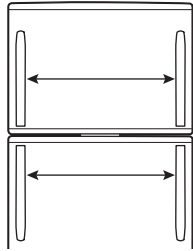
1. Tanto en las puertas del refrigerador como en las del freezer, retire los tornillos de la traba de la puerta de la derecha con un destornillador Phillips.
2. Instale la traba de la puerta sobre la parte izquierda de cada puerta.



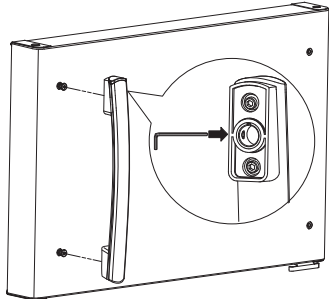
# Instrucciones para la instalación

## CÓMO INVERTIR EL VAIVÉN DE LA PUERTA (Cont.)

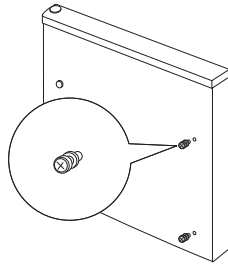
### 5 CÓMO INVERTIR LAS MANIJAS DE LA PUERTA – TRASLADO DE LA MANIJA DEL COMPARTIMENTO CONGELADOR AL LADO DERECHO DE LA PUERTA DEL COMPARTIMENTO CONGELADOR



1. Afloje el tornillo correspondiente sobre la manija con la llave Allen de 1/8" y retire la manija.

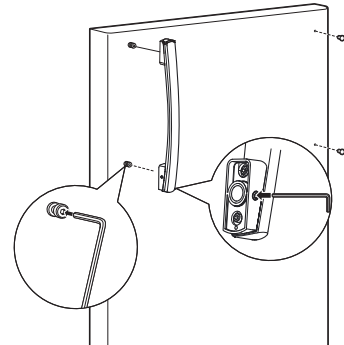


2. Retire el sujetadores de la superficie de la puerta del congelador.
3. Retire los botones del enchufe (y la Placa de GE Appliances, de estar presente) de la superficie sobre el lado derecho de la puerta del freezer e inserte los sujetadores con un destornillador Phillips.
4. Adhiera la manija a la puerta del congelador con tornillos en la parte superior de la manija. Use la llave allen de 1/8" para ajustar el tornillo correspondiente en la parte inferior de la manija.  
**NOTA:** No ajuste de más.
5. Inserte el botón del enchufe en el orificio inferior de la manija.
6. Inserte el botón del enchufe en el orificio inferior de la manija.

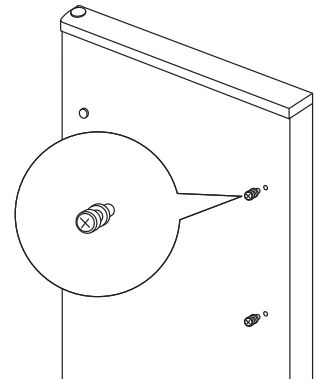


### 5 CÓMO INVERTIR LAS MANIJAS DE LA PUERTA – TRANSFERIR LA MANIJA DE LA PUERTA DEL REFRIGERADOR AL LADO DERECHO DE LA PUERTA DEL REFRIGERADOR

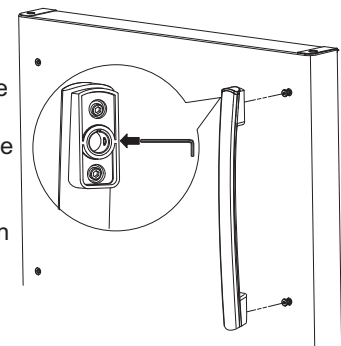
6. Afloje el tornillo correspondiente sobre la manija con la llave Allen de 1/8" y retire la manija.



7. Retire el sujetadores de la superficie de la puerta del refrigerador.
8. Retire el tapón de la superficie del lado derecho de la puerta del refrigerador e inserte el sujetador con un destornillador Phillips.



9. Adhiera la manija a la puerta del refrigerador con tornillos en la parte superior de la manija. Use la llave allen de 1/8" para ajustar el tornillo correspondiente en la parte inferior de la manija.



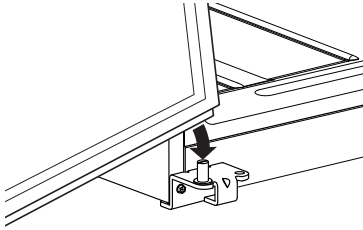
- NOTA:** No ajuste de más.
10. Inserte los botones del enchufe en los agujeros restantes.

# Instrucciones para la instalación

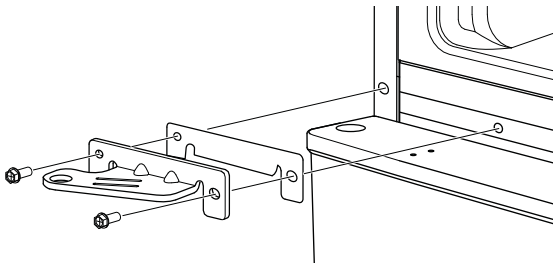
## CÓMO INVERTIR EL VAIVÉN DE LA PUERTA (Cont.)

### 6 VUELVA A COLGAR LA PUERTA DEL REFRIGERADOR

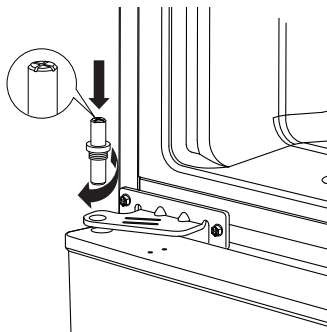
1. Baje la puerta del refrigerador al perno de la bisagra inferior.



2. Mientras sostiene la puerta de forma segura, alinee la ficha en la puerta con el agujero en la bisagra central. Ajuste la bisagra central y la junta con dos tornillos con una ficha de 5/16" y trinquete.

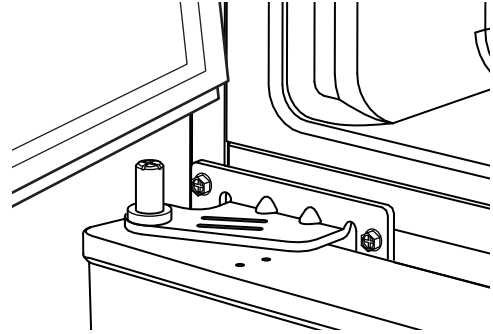


3. Controle la alineación entre la ficha de la puerta y el agujero de la bisagra central. Inserte el perno de la bisagra en la bisagra central y ajuste con un destornillador Phillips, hasta que el borde del perno de la bisagra entre en contacto con la bisagra central.

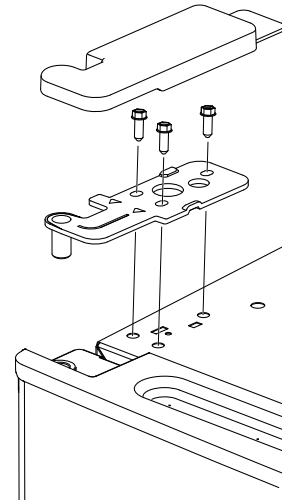


### 7 VUELVA A COLGAR LA PUERTA DEL CONGELADOR

1. Baje la puerta del congelador al perno de la bisagra central.



2. Coloque la bisagra superior izquierda de modo que el perno coincida con la ficha de la puerta. (La bisagra superior izquierda y la tapa se pueden encontrar dentro del producto. Llame al Servicio de Ge al 800.GE.CARES (800.432.2737 o en Canadá llame al 800.561.3344 en caso de faltar piezas.) Descanse la puerta en el costado de la manija y asegúrese de que la puerta esté recta y el espacio entre las puertas sea uniforme incluso en el frente. Mientras sostiene la puerta en su lugar, apriete los tornillos de la bisagra superior. No ajuste en exceso estos tornillos. Presione los mismos hasta que queden ajustados, y luego dé a los tornillos medio giro adicional.





3. Presione la tapa de la bisagra superior izquierda sobre la bisagra.



# Sonidos normales de operación

Los refrigeradores más nuevos producen sonidos diferentes a los modelos más antiguos. Los refrigeradores modernos tienen más funciones y usan tecnología más reciente.

**¿Usted escucha lo que yo escucho? Estos sonidos son normales.**

<p style="text-align: center;"><b>HUMMM... WHOOSH...</b></p> <ul style="list-style-type: none"> <li>El nuevo compresor de alta eficiencia puede funcionar más rápido y durar más que el de su refrigerador anterior y puede escuchar un zumbido de tono alto o un sonido pulsante mientras opera.</li> <li>Puede escuchar un sonido de soplido cuando las puertas se cierran. Esto se debe a que la presión se está estabilizando dentro del refrigerador.</li> </ul>	<p style="text-align: center;"><b>WHIR!</b></p>  <ul style="list-style-type: none"> <li>Puede escuchar los ventiladores moviéndose a gran velocidad. Esto pasa cuando el refrigerador se conecta por primera vez, cuando las puertas se abren frecuentemente o cuando se guarda gran cantidad de alimentos en el refrigerador o en los compartimientos del congelador. Los ventiladores están ayudando a mantener las temperaturas correctas.</li> </ul>
<p><b>CHASQUIDOS, ESTALLIDOS, CRUJIDO, GORJEOS</b></p> <ul style="list-style-type: none"> <li>Puede escuchar sonidos como de crujido o estallidos cuando el refrigerador se conecta por primera vez. Esto pasa a medida que el refrigerador se enfría hasta la temperatura correcta.</li> <li>El compresor puede causar un chasquido o un gorjeo cuando intenta volver a arrancar (esto puede tomar hasta 5 minutos).</li> <li>Expansión y contracción de las bobinas durante o después del ciclo de descongelación puede causar sonidos como de crujido o estallidos.</li> </ul>	<p style="text-align: center;"><b>SONIDOS DE AGUA</b></p>  <ul style="list-style-type: none"> <li>El fluido del refrigerante a través de las bobinas puede producir un sonido de borboteo como de agua hirviendo.</li> <li>El agua que cae en el calentador de descongelación puede causar un chisporroteo, estallido o zumbido durante el ciclo de descongelación.</li> <li>Un ruido de agua cayendo se puede escuchar durante el ciclo de descongelación a medida que el hielo se derrite del evaporador y fluye hacia la bandeja de drenaje.</li> <li>El cierre de las puertas puede producir un sonido de gorgoteo debido a la estabilización de la presión.</li> </ul>

## Consejos para la Solución de Problemas... Antes de solicitar el servicio técnico

¡Ahorre tiempo y dinero! Primero revise los cuadros que aparecen en las siguientes páginas y es posible que no necesite solicitar reparaciones. De ser necesario, podrá programar el servicio técnico visitándonos en **GEAppliances.com** o llamando al 800.GECARES (800.432.2737). En Canadá, visite **GEAppliances.ca** o llame al 800.561.3344.

PROBLEMA	POSIBLES CAUSAS	QUÉ HACER
La luz del compartimiento del refrigerador no funciona	No hay corriente en el toma corriente.	Reemplace el fusible o vuelva a iniciar el interruptor.
	Bombilla quemada o suelta.	Consulte la sección <i>Cómo reemplazar la bombilla</i> .
Aire caliente de la parte de abajo del refrigerador	Motor de enfriamiento normal del flujo del aire. En el proceso de refrigeración, es normal que salga calor de la parte inferior del refrigerador. Algunas cubiertas de piso son sensibles y se decolorarán ante estas temperaturas normales y seguras.	
Congelamiento de alimentos en el refrigerador	Los alimentos están muy cercanos al ventilador en la parte posterior del refrigerador.	Mueva los alimentos lejos del ventilador (cerca de los controles).
	El control del refrigerador está en un nivel demasiado frío.	Mueva el control del refrigerador a una temperatura menos fría un incremento a la vez.
Brillo color naranja en el congelador	El calentador de descongelación está encendido.	Esto es normal.
Los compartimientos de la puerta no encajan	Los compartimientos de la puerta del congelador son de tamaño diferente a los compartimientos de la puerta del refrigerador.	Trate de instalar los compartimientos en ambas puertas.
Los controles no encienden	Algunos modelos no tienen controles luminosos.	Si puede ver números blancos en el control, el modelo no tiene controles luminosos.
	Luz del refrigerador quemada o suelta.	Consulte la sección <i>Cómo reemplazar las bombillas</i> .

## Consejos para la Solución de Problemas... Antes de solicitar el servicio técnico

PROBLEMA	POSIBLES CAUSAS	QUÉ HACER
Se abre la puerta del congelador cuando la puerta del refrigerador se cierra	Esto es normal si, después de abrirse, la puerta del congelador se cierra sola.	Esto indica que hay un buen sello en la puerta del congelador. Si la puerta del congelador no se cierra automáticamente después de abrirse, los rodillos necesitan ajuste. Consulte la sección <i>Rodillos y patas de nivelación</i> .
La puerta no se cierra sola	Es necesario ajustar las patas de nivelación.	Consulte la sección <i>Rodillos y patas de nivelación</i> .
El refrigerador no opera	El refrigerador está en el ciclo de descongelado.	Espere unos 40 minutos hasta que el ciclo de descongelado termine.
	Cualquiera o ambos controles están en la posición 1 (apagado).	Mueva el control del refrigerador y del congelador a un nivel de temperatura.
	El refrigerador está desconectado.	Empuje el enchufe completamente en el tomacorriente.
	El fusible está quemado / el interruptor automático se saltó.	Reemplace el fusible o reajuste el interruptor.
Vibración o traqueteo (una vibración ligera es normal)	El refrigerador no descansa sobre los rodillos.	Ajuste las patas de nivelación. Consulte la sección <i>Rodillos y patas de nivelación</i> .
El motor opera con frecuencia por largos periodos o ciclos de forma intermitente (Los refrigeradores modernos con más espacio de almacenamiento y un congelador más grande requieren de más tiempo de operación. Arrancan y paran con frecuencia para mantener temperaturas uniformes.)	Normal cuando el refrigerador se conecta inicialmente.	Espere 24 horas hasta que el refrigerador se enfríe por completo.
	Con frecuencia ocurre cuando grandes cantidades de alimentos se almacenan en el refrigerador.	Esto es normal.
	La puerta se deja abierta.	Revise si un paquete está reteniendo la puerta abierta.
	El clima caliente o abrir la puerta frecuentemente.	Esto es normal.
	Los controles de la temperatura están en el nivel más frío.	Consulte la sección <i>Sobre los controles</i> .
	El compartimiento de alimentos frescos o el congelador no están muy fríos	El control de la temperatura no está en un nivel suficientemente frío.
Hielo o cristales de hielo en los alimentos congelados (el hielo dentro de un paquete es normal)	El clima caliente o abrir la puerta frecuentemente.	Fije el control de la temperatura a un nivel más frío. Consulte la sección <i>Sobre los controles</i> .
	La puerta se deja abierta.	Revise si un paquete está reteniendo la puerta abierta.
	La puerta del congelador se abre.	Ver el problema <i>La puerta del congelador se abre cuando la puerta del refrigerador está cerrada</i> .
	La puerta se deja abierta.	Revise si un paquete está reteniendo la puerta abierta.
Se forma humedad en la superficie del gabinete entre las puertas	Abrir la puerta con mucha frecuencia o por mucho tiempo.	Retire los artículos de la pared posterior del congelador.
	Los alimentos bloquean los conductos del congelador.	Seque la superficie, luego ajuste el control de alimentos frescos fijándolo en un número más alto y revise de nuevo en 24 horas.
Se forma humedad en la superficie del gabinete entre las puertas	No es usual durante periodos de alta humedad.	Seque la superficie, luego ajuste el control de alimentos frescos fijándolo en un número más alto y revise de nuevo en 24 horas.
El refrigerador tiene olor	Hay alimentos que transmiten olor / sabor al refrigerador.	Los alimentos con olores fuertes deben envolverse firmemente.
	El interior necesita limpieza.	Mantenga una caja abierta de bicarbonato en el refrigerador; reemplácela cada tres meses.
		Consulte la sección de <i>Cuidado y limpieza</i> .
Humedad se forma al interior (en clima húmedo, el aire lleva la humedad al refrigerador cuando las puertas se abren)	Abrir la puerta con mucha frecuencia o por mucho tiempo.	
	Contenedores de agua abiertos o alimentos calientes en el refrigerador.	Cubra o selle los contenedores abiertos. Durante el ciclo de descongelación, la humedad se elimina del refrigerador, pero puede volver si se deja la puerta abierta frecuentemente o por largos periodos de tiempo.

# Garantía Limitada del refrigerador

Todo el servicio de garantía es provisto por nuestros Centros de Servicio de Fabricación, o un técnico autorizado de Servicio al Cliente (Customer Care®). Para programar una visita del servicio técnico, visítenos en **GEAppliances.com**, o comuníquese al 800.GE.CARES (800.432.2737). Cuando llame para solicitar el servicio, tenga los números de serie y modelo disponibles.

**Para realizar el servicio técnico de su refrigerador se podrá requerir el uso de datos del puerto de abordaje para su diagnóstico. Esto da al técnico del Servicio de Fábrica de GE Appliances la habilidad de diagnosticar de forma rápida cualquier problema con su electrodoméstico, y de ayudar a GE Appliances a mejorar sus productos al brindarle a GE Appliances la información sobre su electrodoméstico. Si no desea que los datos de su electrodoméstico sean enviados a GE Appliances, solicitamos que le indique a su técnico NO entregar los datos a GE Appliances en el momento del servicio.**

<b>Por el período de:</b>	<b>GE Appliances reemplazará</b>
<b>Un año</b> A partir de la fecha de la compra original	<b>Cualquier parte</b> del refrigerador que falle debido a defectos en los materiales o en la fabricación. Durante esta garantía <b>limitada de un año</b> , GE Appliances también proporcionará, <b>sin costo alguno</b> , toda la mano de obra y el servicio relacionado para reemplazar partes defectuosas.

## Lo que GE Appliances no cubrirá

- Viajes del técnico del servicio a su hogar para enseñarle sobre cómo usar el producto.
- Instalación, entrega o mantenimiento inadecuados.
- Fallas del producto en caso de abuso, mal uso, o uso para propósitos diferentes al original o uso comercial.
- Pérdida de alimentos por mal estado.
- Reemplazo de fusibles de la casa o reinicio de disyuntores.
- Daño causado después de la entrega.
- Reemplazo del cartucho del filtro de agua, si se incluye, debido a la presión del agua que está fuera del rango de funcionamiento específico o debido a exceso de sedimentos en el suministro de agua.
- Reemplazo de bombillas de luz, si se incluyen, o del cartucho del filtro de agua, si se incluye, a diferencia de lo detallado anteriormente.
- Daños ocasionados sobre el producto por accidente, incendio, inundaciones o catástrofes naturales.
- Daños consecuentes o incidentales causados por posibles defectos de este producto.
- Producto no accesible para brindar el servicio requerido.
- Los daños causados por un filtro de agua Marca no GE Appliances.
- Cualquier daño sobre la terminación deberá ser informado dentro de las 48 horas luego de la entrega del electrodoméstico.
- Productos que no presenten defectos ni estén rotos, o que estén funcionando de acuerdo con lo descrito en el Manual del Propietario.

**EXCLUSIÓN DE GARANTÍAS IMPLÍCITAS—Su único y exclusivo derecho es la reparación del producto, tal y como se indica en esta Garantía limitada. Cualquier garantía implícita, incluyendo las garantías implícitas de comerciabilidad o adecuación para un fin determinado, están limitadas a un año o el período de tiempo más breve permitido por la ley.**

**Para los clientes de EE.UU.** Esta garantía limitada se extiende al comprador original y a cualquier dueño subsiguiente de productos comprados para uso hogareño dentro de EE.UU. Si el producto está en un área donde no se encuentra disponible un Proveedor Autorizado del Servicio Técnico de GE Appliances, usted será responsable por el costo de un viaje o se podrá requerir que traiga el producto a una ubicación del Servicio Técnico de GE Appliances Autorizado para recibir el servicio. En Alaska, la garantía limitada excluye el costo de envío o llamadas del servicio a su hogar.

Algunos estados no permiten la exclusión o limitación de daños fortuitos o consecuentes. Esta garantía limitada le da derechos legales específicos y es posible que tenga otros derechos legales que varían entre un estado y otro. Para conocer cuáles son sus derechos legales, consulte a la oficina de asuntos del consumidor local o estatal o al Fiscal de su estado.

**Garante: GE Appliances, a Haier company**  
Louisville, KY 40225

**Para Clientes en Canadá:** Esta garantía se extiende al comprador original y a cualquier dueño subsiguiente de productos comprados para uso hogareño dentro de Canadá. El servicio técnico hogareño de la garantía será brindado en áreas donde Mabe se encuentre disponible y lo considere apropiado.

**Garante en Canadá: MC Commercial, Burlington, Ontario, L7R 5B6**

Grape aquí su recibo. Se requiere facilitar prueba de la fecha de compra original para obtener un servicio bajo la garantía.

# Soporte para el Consumidor

---

## Sitio Web de GE Appliances

¿Desea realizar una consulta o necesita ayuda con su electrodoméstico? ¡Intente a través del Sitio Web de GE Appliances las 24 horas del día, cualquier día del año! Usted también puede comprar más electrodomésticos maravillosos de GE Appliances y aprovechar todos nuestros servicios de soporte a través de Internet, diseñados para su conveniencia.

En EE.UU.: [GEAppliances.com](http://GEAppliances.com) En Canadá: [GEAppliances.ca](http://GEAppliances.ca)

---

## Registre su Electrodoméstico

¡Registre su electrodoméstico nuevo a través de Internet, según su conveniencia! Un registro puntual de su producto permitirá una mejor comunicación y un servicio más puntual de acuerdo con los términos de su garantía, en caso de surgir la necesidad. También puede enviar una carta en la tarjeta de inscripción preimpresa que se incluye con el material embalado.

En EE.UU.: [GEAppliances.com/register](http://GEAppliances.com/register)

En Canadá: [Prodsupport.mabe.ca/crm/Products/ProductRegistration.aspx](http://Prodsupport.mabe.ca/crm/Products/ProductRegistration.aspx)

---

## Servicio Programado

El servicio de reparación de expertos de GE Appliances está a sólo un paso de su puerta. Conéctese a través de Internet y programe su servicio a su conveniencia cualquier día del año. En EE.UU.: [GEAppliances.com/service](http://GEAppliances.com/service) o comuníquese al 800.432.2737 durante el horario de atención comercial.

En Canadá: [GEAppliances.ca/en/support/service-request](http://GEAppliances.ca/en/support/service-request) o comuníquese al 800.561.3344

---

## Garantías Extendidas

Adquiera una garantía extendida de GE Appliances y conozca los descuentos especiales que están disponibles mientras su garantía aún está vigente. La puede adquirir en cualquier momento a través de Internet. Los servicios de GE Appliances aún estarán allí cuando su garantía caduque.

En EE.UU.: [GEAppliances.com/extended-warranty](http://GEAppliances.com/extended-warranty) o comuníquese al 800.626.2224 durante el horario de atención comercial.

En Canadá: [GEAppliances.ca/en/support/purchase-extended-warranty](http://GEAppliances.ca/en/support/purchase-extended-warranty) o comuníquese al 866.277.9842

---

## Conectividad Remota

Para solicitar asistencia para la conectividad de red inalámbrica (para modelos con acceso remoto), visite nuestro sitio web en [GEAppliances.com/connected-home-smart-appliances](http://GEAppliances.com/connected-home-smart-appliances) o comuníquese al 800.220.6899 en EE.UU.

---

## Piezas y Accesorios

Aquellos individuos calificados para realizar el servicio técnico de sus propios electrodomésticos podrán solicitar el envío de piezas o accesorios directamente a sus hogares (se aceptan las tarjetas VISA, MasterCard y Discover). Ordene hoy a través de Internet durante las 24 horas, todos los días. En EE.UU.: [GEApplianceparts.com](http://GEApplianceparts.com) o de forma telefónica al 877.959.8688 durante el horario de atención comercial.

**Las instrucciones que figuran en este manual cubren los procedimientos que serán realizados por cualquier usuario. Otros servicios técnicos generalmente deben ser derivados a personal calificado del servicio. Se deberá tener cuidado, ya que una reparación indebida podrá hacer que el funcionamiento no sea seguro.**

Los clientes de Canadá deberán buscar el centro de servicios Mabe más cercano en las páginas amarillas; visite nuestro sitio web en [GEAppliances.ca/en/products/parts-filters-accessories](http://GEAppliances.ca/en/products/parts-filters-accessories) o comuníquese al 800.661.1616.

---

## Contáctenos

Si no se encuentra satisfecho con el servicio que recibió de GE Appliances, comuníquese con nosotros a través de nuestro sitio Web con todos los detalles, incluyendo su número telefónico, o escriba a:

En EE.UU.: General Manager, Customer Relations | GE Appliances, Appliance Park | Louisville, KY 40225

[GEAppliances.com/ge/service-and-support/contact.htm](http://GEAppliances.com/ge/service-and-support/contact.htm)

En Canadá: Director, Consumer Relations, Mabe Canada Inc. | Suite 310, 1 Factory Lane | Moncton, N.B. E1C 9M3

[GEAppliances.ca/en/contact-us](http://GEAppliances.ca/en/contact-us)

---